



US00D833896S

(12) **United States Design Patent**
Fischer

(10) **Patent No.:** **US D833,896 S**

(45) **Date of Patent:** **** Nov. 20, 2018**

- (54) **TELEMATICS DEVICE**
- (71) Applicant: **TomTom Telematics B.V.**, Amsterdam (NL)
- (72) Inventor: **Karsten Fischer**, Leipzig (DE)
- (73) Assignee: **TOMTOM TELEMATICS B.V.**, Amsterdam (NL)
- (**) Term: **15 Years**
- (21) Appl. No.: **29/593,881**
- (22) Filed: **Feb. 14, 2017**
- (51) **LOC (11) Cl.** **10-04**
- (52) **U.S. Cl.**
USPC **D10/65**
- (58) **Field of Classification Search**
USPC D10/65, 68, 70, 78, 80, 104.1, 104.2, D10/106.6; D14/137, 155, 159, 240-242, D14/315, 336, 337, 341-343, 356-358, D14/371
CPC G07C 5/02; G07C 5/008; G07C 5/0808; B60R 25/04; B60R 25/33; B60R 25/102; G06F 3/045
See application file for complete search history.

- 2014/0098060 A1* 4/2014 McQuade G06F 3/045 345/174
- 2015/0371461 A1* 12/2015 Treharne G01R 31/007 701/31.4
- 2017/0200331 A1* 7/2017 Kumar G07C 5/0808

FOREIGN PATENT DOCUMENTS

- CN 302020423 * 8/2012
- CN 302467863 * 6/2013
- CN 303042116 * 12/2014

* cited by examiner

Primary Examiner — Susan Bennett Hattan
Assistant Examiner — Leanne Was-Englehart

(57) **CLAIM**

The ornamental design for a telematics device, as shown and described.

DESCRIPTION

FIG. 1 is a perspective view of a first embodiment of the design showing the front, top and left side of the telematics device.

FIG. 2 is a left side view of the telematics device of FIG. 1.

FIG. 3 is a right side view of the telematics device of FIG. 1.

FIG. 4 is a bottom view of the telematics device of FIG. 1.

FIG. 5 is a top view of the telematics device of FIG. 1.

FIG. 6 is a back view of the telematics device of FIG. 1; and, FIG. 7 is a front view of the telematics device of FIG. 1.

The dash-dash broken lines are for the purpose of illustrating portions of the telematics device that form no part of the claimed design.

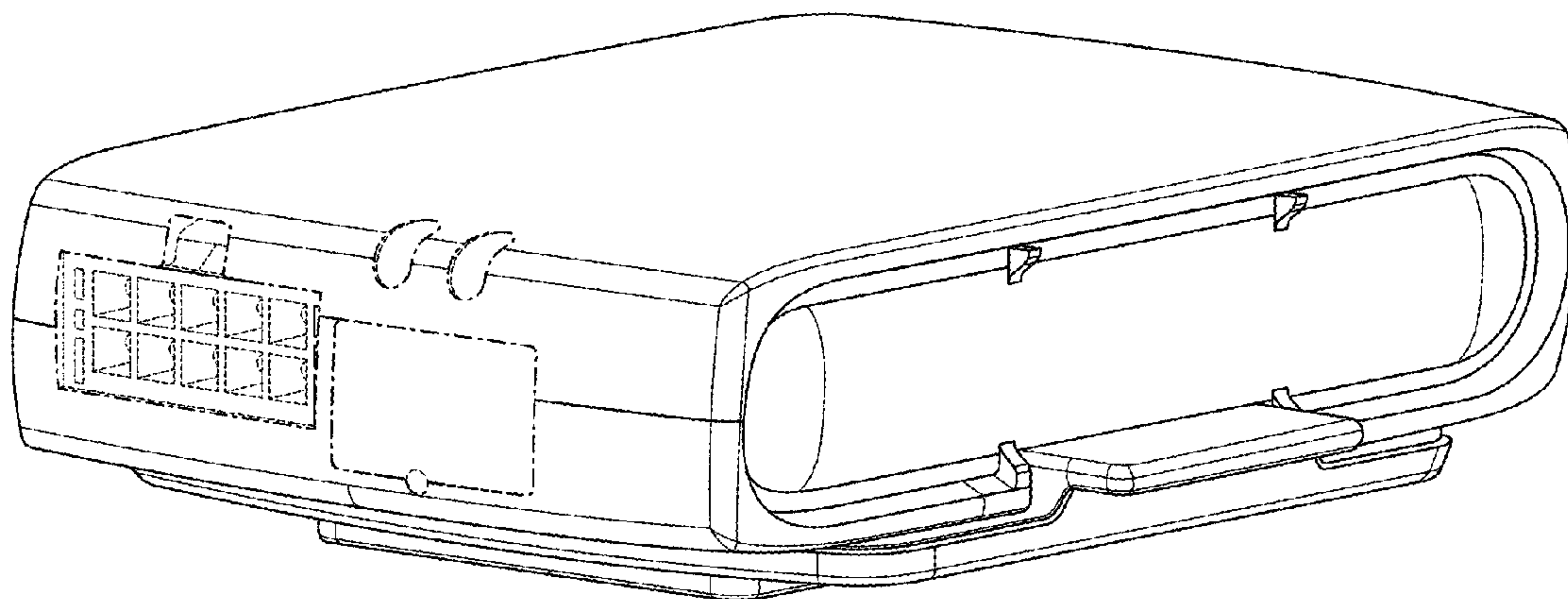
The dash-dot broken lines define the bounds of the telematics device and form no part of the claimed design.

1 Claim, 3 Drawing Sheets

(56) **References Cited**

U.S. PATENT DOCUMENTS

- D457,823 S * 5/2002 Nolan D10/65
- 7,242,966 B1 * 7/2007 Averkamp H04B 1/3833 455/552.1
- 7,596,437 B1 * 9/2009 Hunt B60R 16/0207 701/33.2
- D688,959 S * 9/2013 Arvidsson D10/70
- D724,977 S * 3/2015 Browning D10/80
- D759,638 S * 6/2016 Cheng D14/242
- D784,969 S * 4/2017 MacManus D14/240
- D784,970 S * 4/2017 MacManus D14/240
- D795,722 S * 8/2017 Drew D10/78



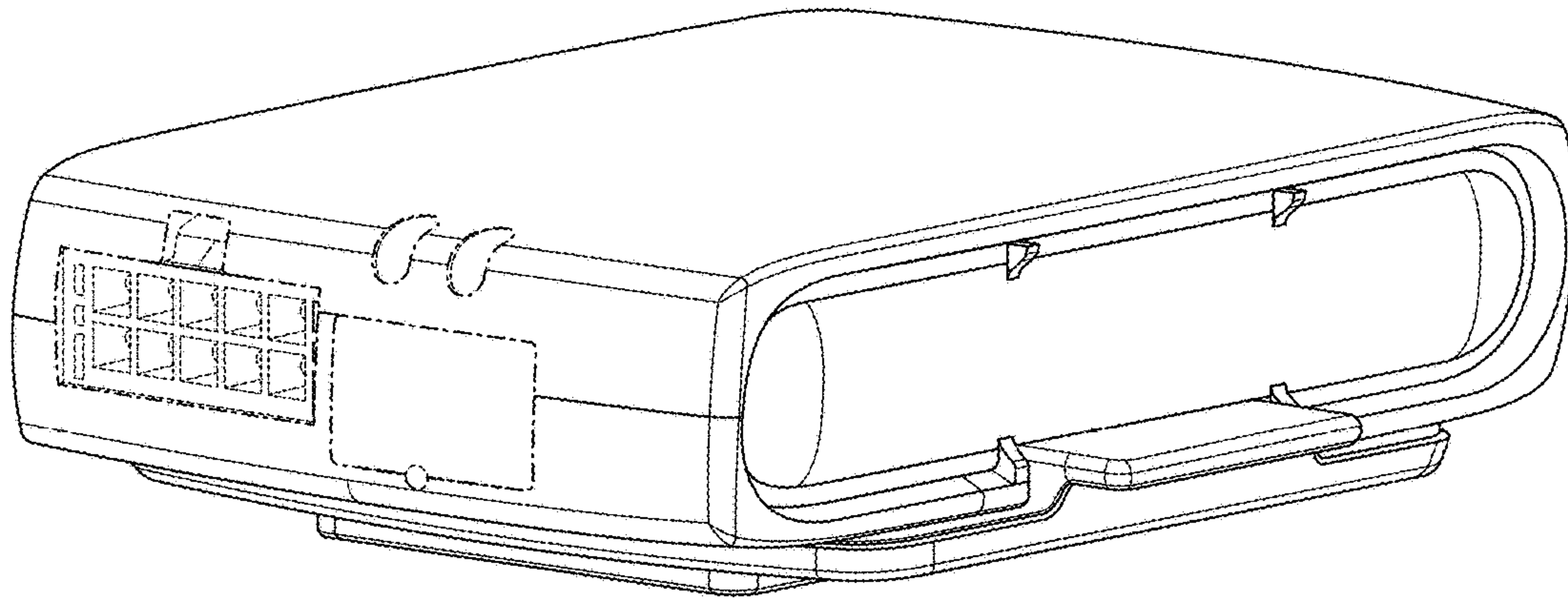


FIG. 1

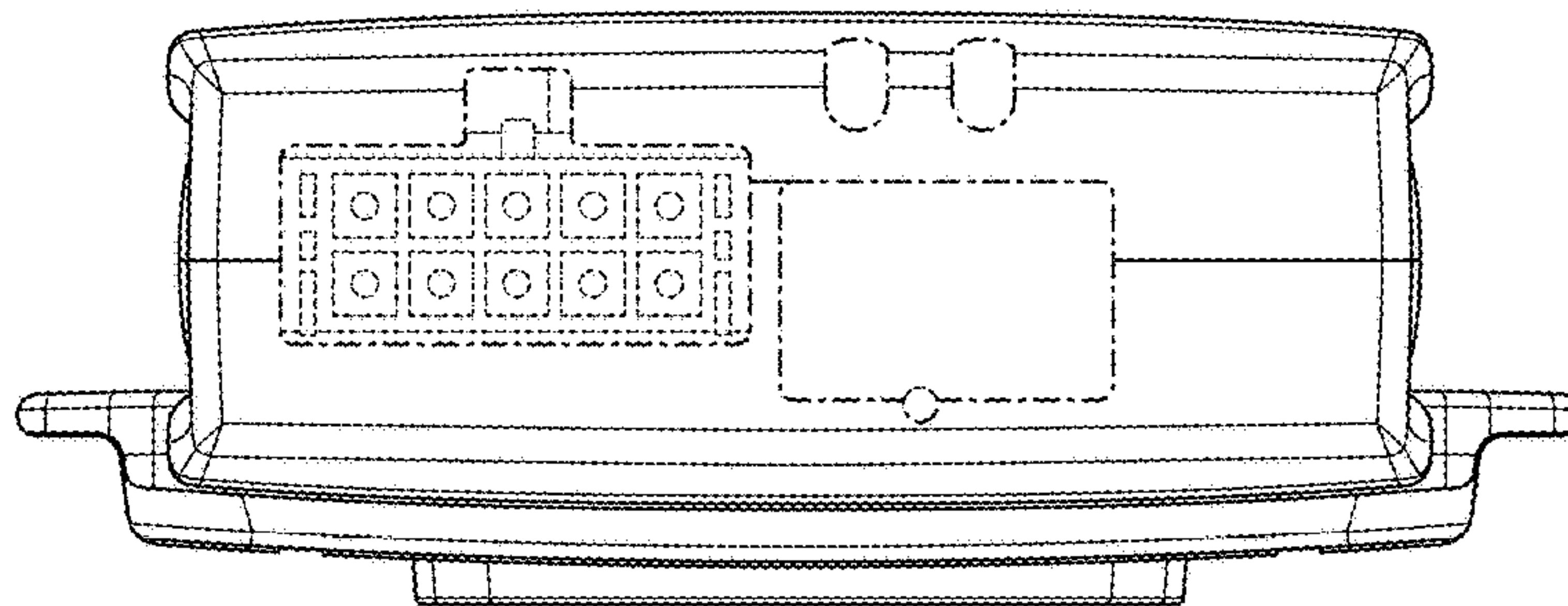


FIG. 2

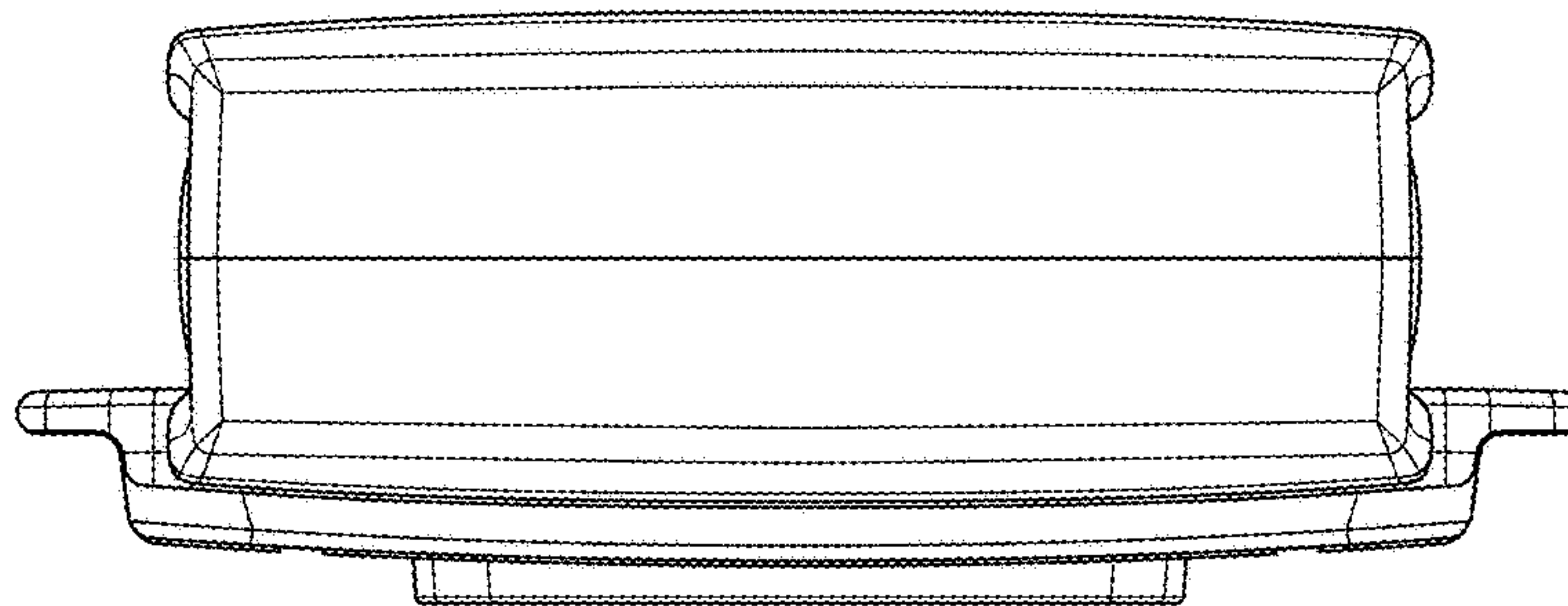


FIG. 3

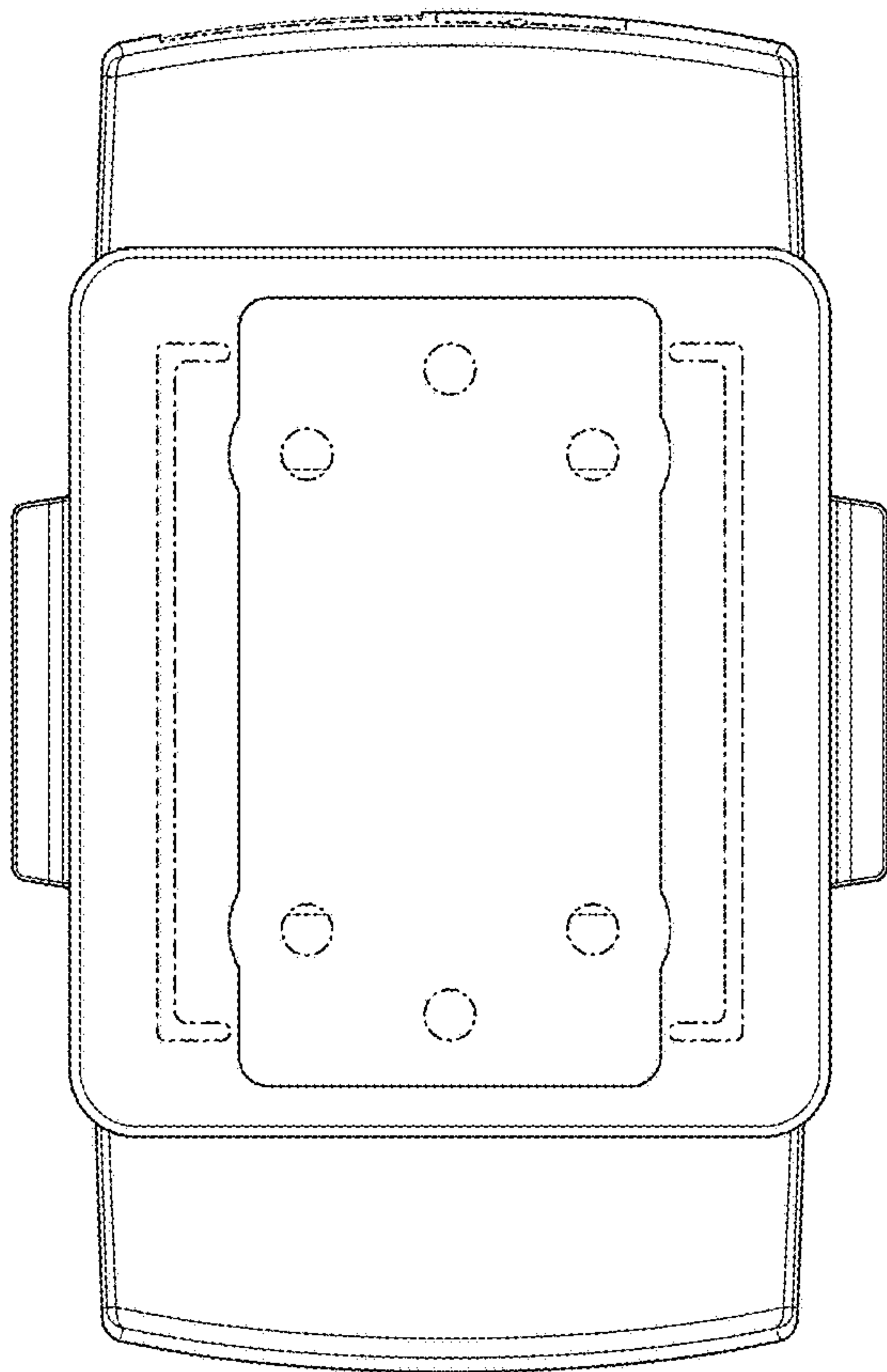


FIG. 4

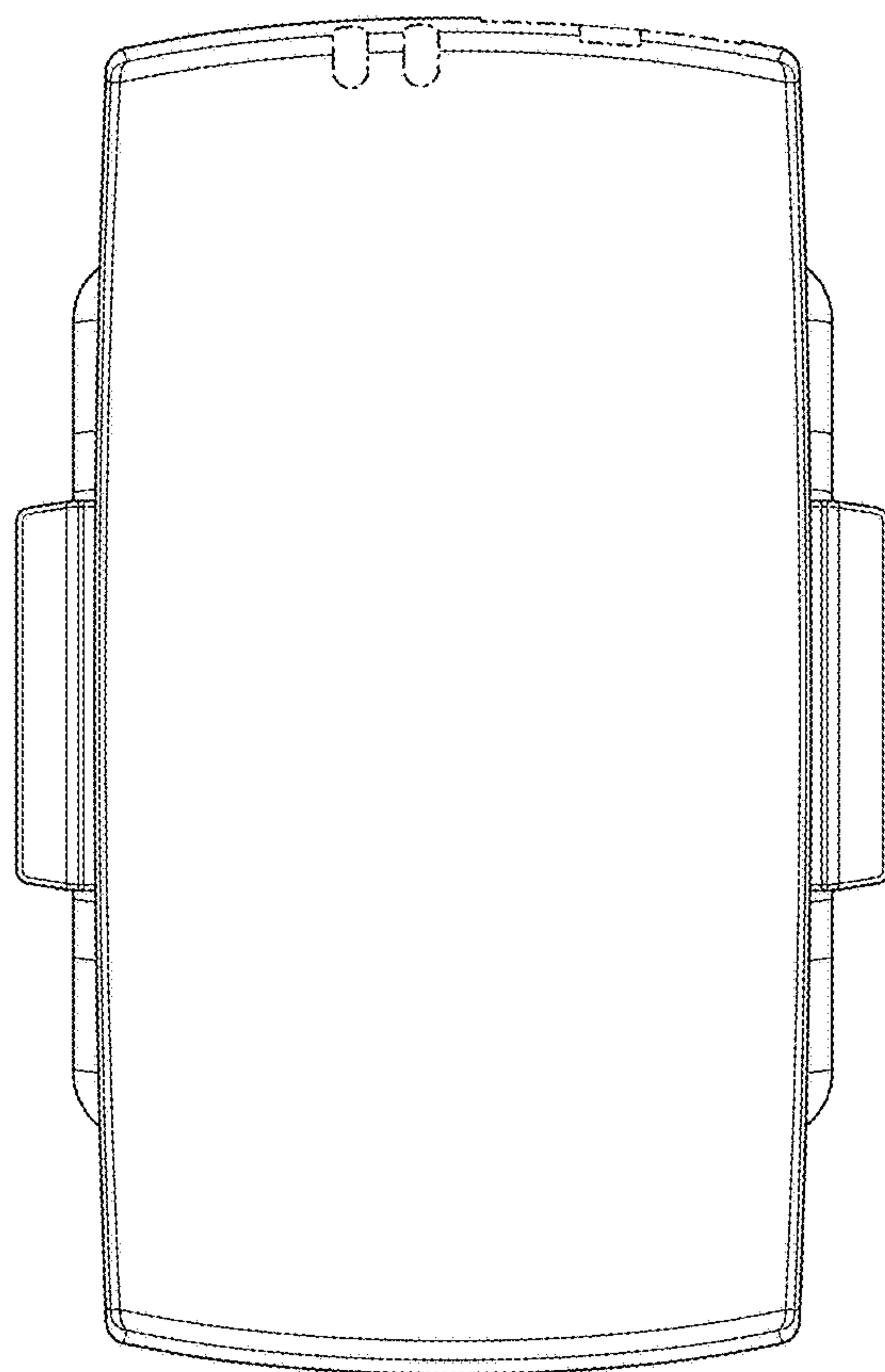


FIG. 5

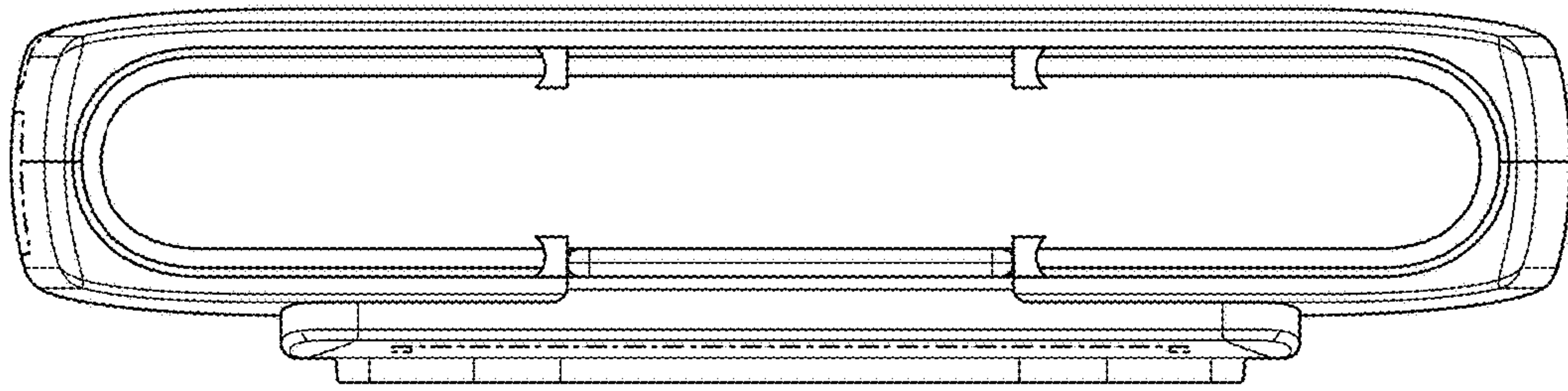


FIG. 6

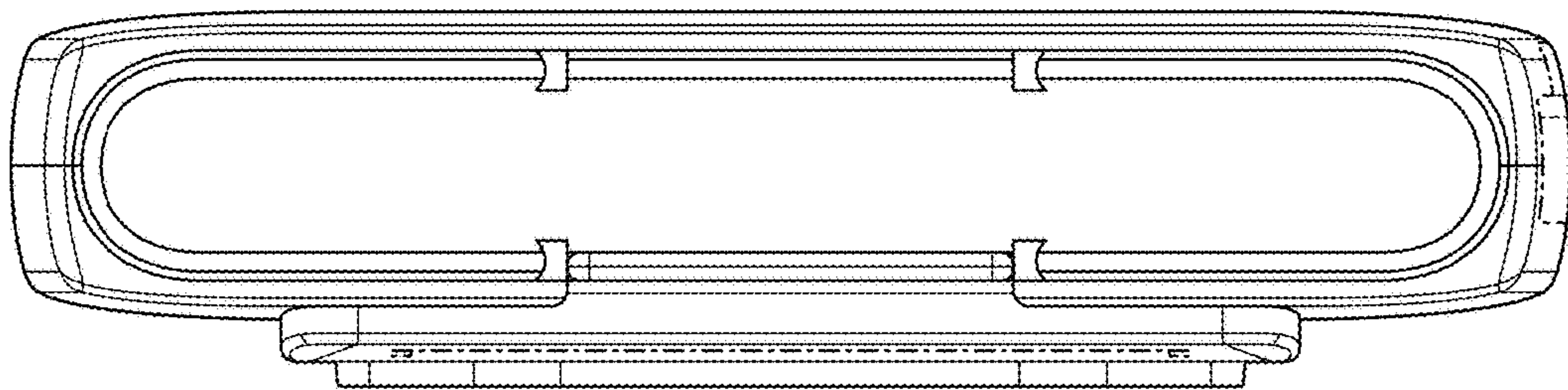


FIG. 7