



US00D833894S

(12) **United States Design Patent** (10) **Patent No.:** **US D833,894 S**
Ali et al. (45) **Date of Patent:** **** Nov. 20, 2018**

(54) **MEASUREMENT DEVICE**

D490,830 S 6/2004 Raab et al.
D491,210 S 6/2004 Raab et al.
D491,589 S 6/2004 Raab et al.

(71) Applicant: **FARO Technologies, Inc.**, Lake Mary, FL (US)

(Continued)

(72) Inventors: **Nurettin Ali**, Sarasota, FL (US); **Brent Bailey**, Winter Springs, FL (US); **Matthew G. Ackerman**, Fort Collins, CO (US); **Michael Bartel**, Ormond Beach, FL (US); **Orlando Perez**, Lake Mary, FL (US); **John Lucas Creachbaum**, Deltona, FL (US); **James P. Phipps**, Sorrento, FL (US); **Dragos M. Stanescu**, Lake Mary, FL (US); **Paul Atwell**, Lake Mary, FL (US); **Yazid Tohme**, West Chester, PA (US); **Kishore Lankalapalli**, Sanford, FL (US)

FOREIGN PATENT DOCUMENTS

EM 001864364-0002 * 5/2011

OTHER PUBLICATIONS

<https://www.faro.com/products/factory-metrology/faro-scanarm/>
Uploaded Jul. 2017 (Year: 2017).*

Primary Examiner — Susan Bennett Hattan
Assistant Examiner — Leanne Was-Englehart
(74) *Attorney, Agent, or Firm* — Cantor Colburn LLP

(73) Assignee: **FARO TECHNOLOGIES, INC.**, Lake Mary, FL (US)

(57) **CLAIM**

We claim, the ornamental design for a measurement device, as shown and described.

(**) Term: **15 Years**

DESCRIPTION

(21) Appl. No.: **29/592,180**

(22) Filed: **Jan. 27, 2017**

(51) **LOC (11) Cl.** **10-04**

(52) **U.S. Cl.**
USPC **D10/63**

(58) **Field of Classification Search**
USPC D10/46, 63, 74; D15/199; 33/503–505, 33/558

CPC G01B 11/00; G01B 11/005; G01B 11/007; G01B 11/14; G01B 11/24; G01B 5/008; G01B 5/012; G01B 21/04; G06T 7/55

See application file for complete search history.

FIG. 1 is a front right perspective view of the invention; FIG. 2 is a rear right perspective view of the invention; FIG. 3 is a left side view of the invention; FIG. 4 is a right side view of the invention; FIG. 5 is a rear view of the invention; FIG. 6 is a front view of the invention; FIG. 7 is a top view of the invention; and, FIG. 8 is a bottom view of the invention.

The evenly spaced dashed lines and unshaded portioned contained within the broken lines shown in FIG. 1-FIG. 8 form no part of the claimed design.

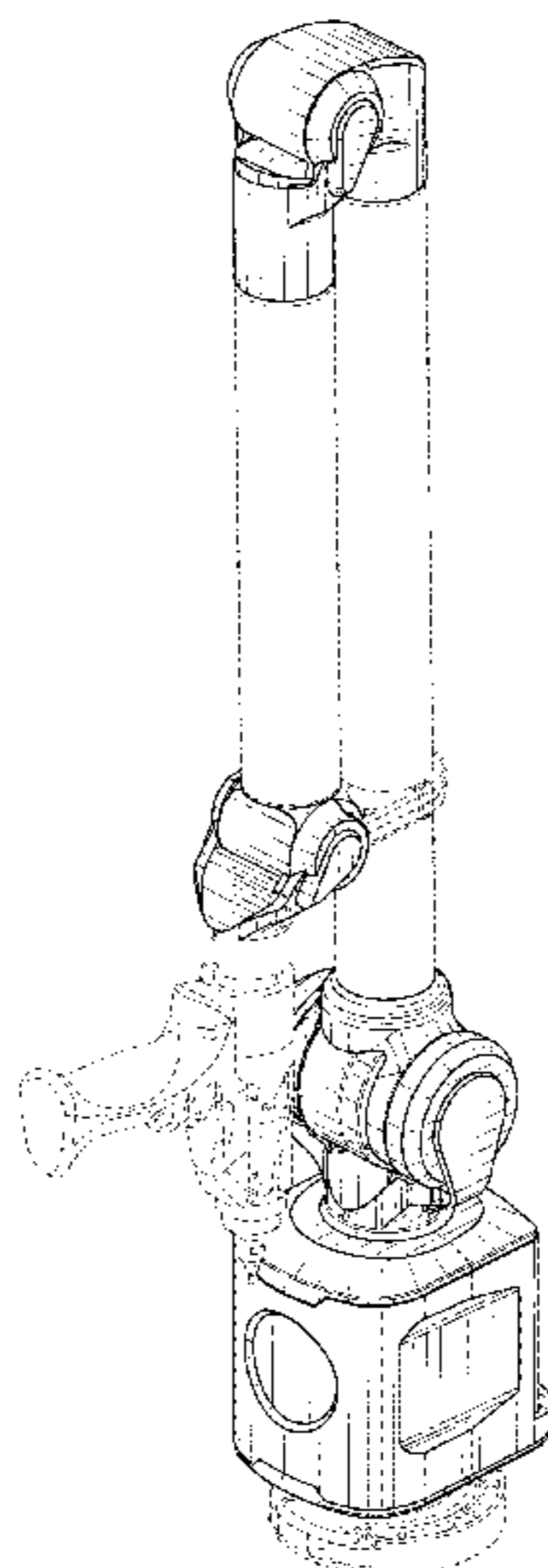
The dash-dot lines shown in FIGS. 1-7 indicate the boundary of an arm portion and form no part of the claimed design. References to “side”, “top”, “front”, “rear” and “bottom” in the figure descriptions are not meant to require certain in-use orientation; a measurement device according to the claimed design may be used in any orientation.

(56) **References Cited**

U.S. PATENT DOCUMENTS

D472,824 S * 4/2003 Raab D10/63
D479,544 S * 9/2003 Raab D10/63

1 Claim, 6 Drawing Sheets



(56)

References Cited

U.S. PATENT DOCUMENTS

D491,965 S 6/2004 Raab et al.
 D496,595 S 9/2004 Raab et al.
 D497,815 S 11/2004 Raab et al.
 D503,116 S 3/2005 Raab et al.
 D503,117 S 3/2005 Raab et al.
 D607,350 S * 1/2010 Cooduvalli D10/63
 D610,926 S * 3/2010 Gerent D10/63
 D643,319 S * 8/2011 Ferrari D10/63
 D659,035 S * 5/2012 Ferrari D10/63
 D662,427 S * 6/2012 Bailey D10/63
 D676,341 S * 2/2013 Bailey D10/63
 D678,085 S * 3/2013 Bailey D10/63
 D691,498 S * 10/2013 Bailey D10/63
 D713,745 S * 9/2014 Chang D10/63
 D714,168 S * 9/2014 Verdi D10/63
 8,898,919 B2 * 12/2014 Bridges G01B 21/047
 33/503
 8,997,362 B2 * 4/2015 Briggs G01B 11/005
 33/503
 D731,904 S * 6/2015 Stohr D10/63
 9,163,922 B2 * 10/2015 Bridges G01B 5/008
 9,228,816 B2 * 1/2016 Grau G01B 5/008
 9,267,784 B2 * 2/2016 Atwell G01B 5/008
 9,423,282 B2 * 8/2016 Moy G01D 18/008
 9,488,476 B2 * 11/2016 Bridges G01B 21/042
 9,531,967 B2 * 12/2016 Bridges H04N 5/35554
 9,607,239 B2 * 3/2017 Bridges G06K 9/4604
 9,612,107 B2 * 4/2017 Bridges G01B 11/005
 9,628,775 B2 * 4/2017 Bridges G01B 21/047
 9,638,507 B2 * 5/2017 Grau G01B 5/008
 9,651,361 B2 * 5/2017 York G01B 11/005
 9,658,061 B2 * 5/2017 Wilson G01B 11/24
 9,739,591 B2 * 8/2017 Gong G01B 7/012
 9,746,304 B2 * 8/2017 Bridges G01B 5/008
 9,746,307 B2 * 8/2017 York G01B 7/008
 9,746,308 B2 * 8/2017 Gong G01B 7/012
 9,772,173 B2 * 9/2017 Atwell G01B 5/008
 9,803,969 B2 * 10/2017 Gong G01L 37/012
 9,829,305 B2 * 11/2017 Gong G01L 37/012
 2010/0208062 A1 * 8/2010 Pettersson G01B 11/24
 348/140
 2011/0173823 A1 * 7/2011 Bailey G01B 35/012
 33/503
 2011/0173827 A1 * 7/2011 Bailey G01B 5/008
 33/503
 2011/0178758 A1 * 7/2011 Atwell G01B 5/012
 702/134
 2011/0178765 A1 * 7/2011 Atwell G01B 5/012
 702/152
 2012/0144685 A1 * 6/2012 Atwell G01B 5/012
 33/503
 2013/0125408 A1 * 5/2013 Atwell G01B 11/005
 33/503
 2013/0205606 A1 * 8/2013 Briggs B25J 9/0012
 33/503

2013/0286196 A1 * 10/2013 Atwell G01B 5/008
 348/136
 2013/0331986 A1 * 12/2013 Tait G01B 5/008
 700/245
 2014/0002608 A1 * 1/2014 Atwell G01B 5/008
 348/46
 2014/0202016 A1 * 7/2014 Bridges G01B 21/047
 33/503
 2014/0260627 A1 * 9/2014 Ferrari G01N 29/265
 73/618
 2014/0268108 A1 * 9/2014 Grau G01B 5/008
 356/72
 2015/0002659 A1 * 1/2015 Atwell G01B 5/008
 348/135
 2015/0015898 A1 * 1/2015 Atwell G01B 5/008
 356/625
 2015/0075018 A1 * 3/2015 Bridges G01B 5/008
 33/503
 2015/0130906 A1 * 5/2015 Bridges G01B 21/047
 348/46
 2015/0185000 A1 * 7/2015 Wilson G01B 11/24
 356/72
 2015/0189201 A1 * 7/2015 Bridges H04N 5/35554
 348/46
 2015/0219452 A1 * 8/2015 Bridges G01B 21/042
 33/503
 2015/0229907 A1 * 8/2015 Bridges G01B 21/047
 348/46
 2015/0330761 A1 * 11/2015 Gong G01B 7/012
 33/503
 2015/0330762 A1 * 11/2015 Gong G01B 5/008
 33/503
 2015/0330763 A1 * 11/2015 Gong G01B 5/008
 33/503
 2015/0330764 A1 * 11/2015 Gong G01B 7/012
 33/503
 2015/0330765 A1 * 11/2015 Gong G01B 7/012
 33/503
 2015/0330766 A1 * 11/2015 Gong G01B 7/012
 33/503
 2015/0355310 A1 * 12/2015 Gong G01B 11/24
 342/353
 2015/0362305 A1 * 12/2015 Ferrari G01N 29/225
 33/503
 2015/0362348 A1 * 12/2015 Moy G01D 18/008
 250/231.13
 2016/0084633 A1 * 3/2016 Ferrari G01B 21/04
 33/503
 2016/0097629 A1 * 4/2016 York G01B 7/008
 33/503
 2016/0102965 A1 * 4/2016 York G01B 11/005
 250/231.1
 2016/0313114 A1 * 10/2016 Tohme G01B 11/005
 2017/0102224 A1 * 4/2017 Bridges G01B 11/005

* cited by examiner

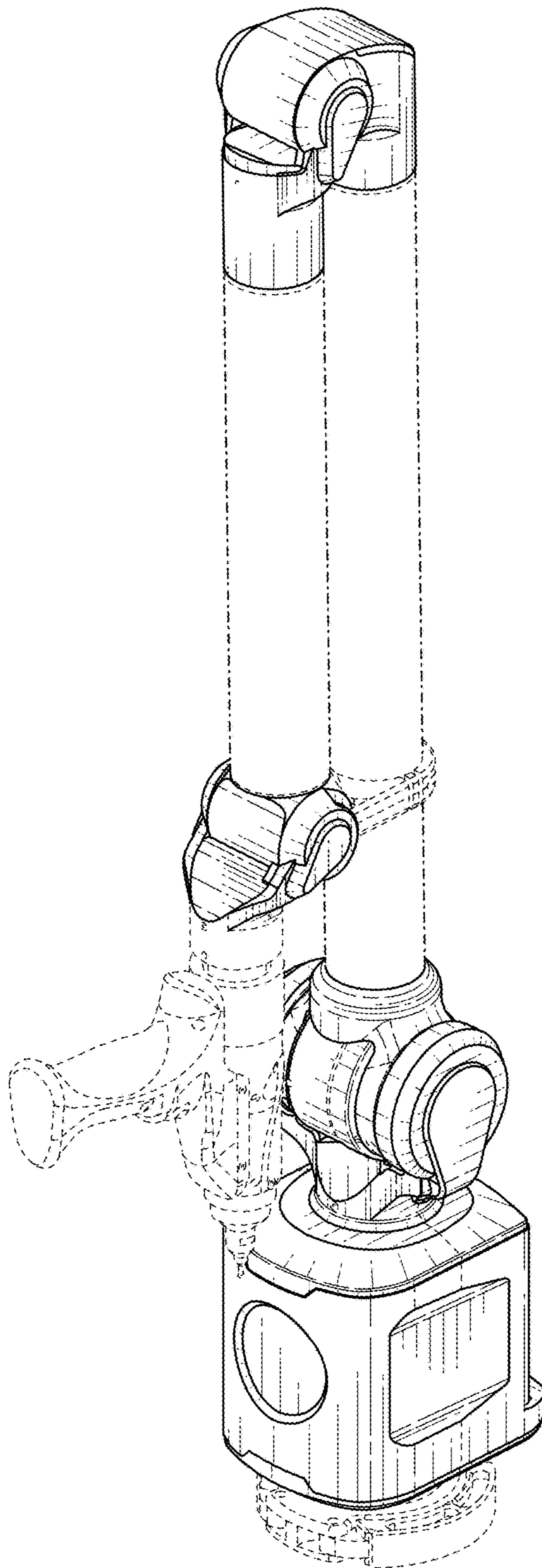


FIG. 1

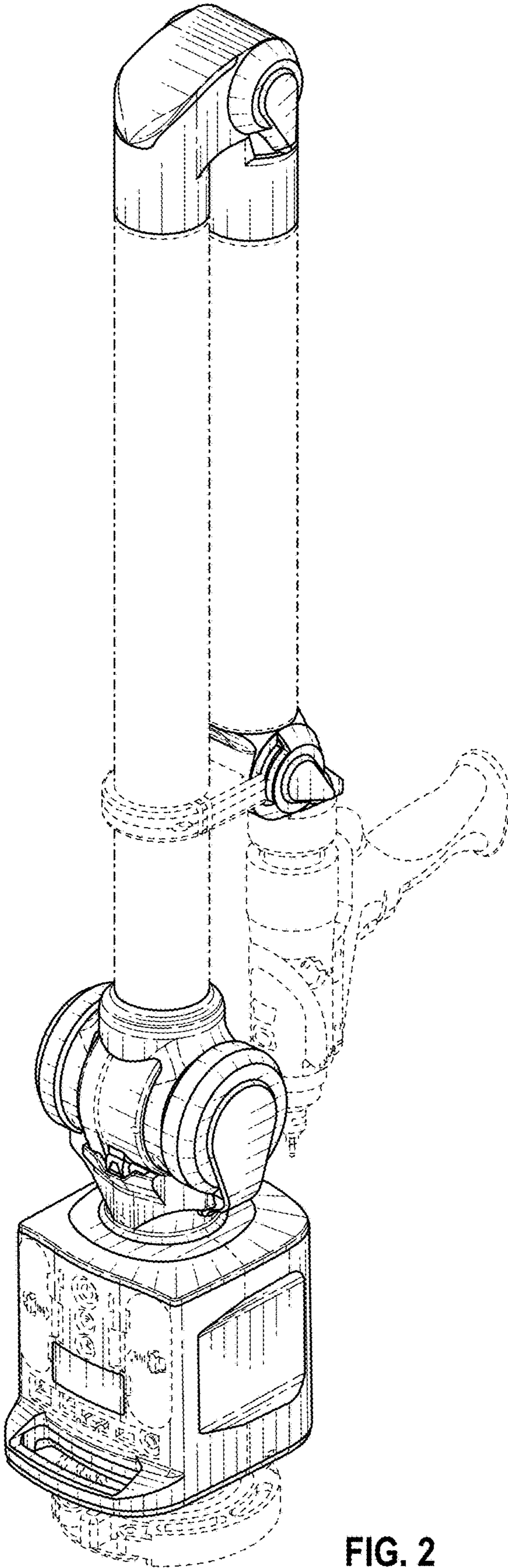


FIG. 2

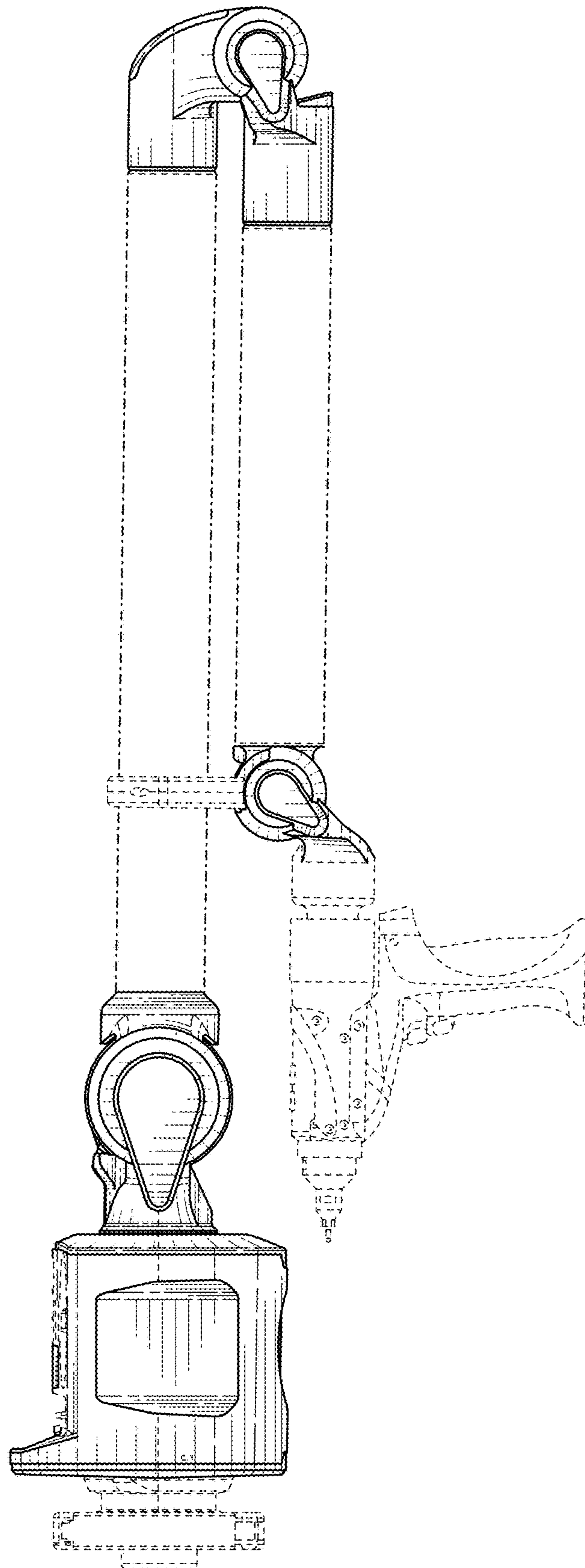


FIG. 3

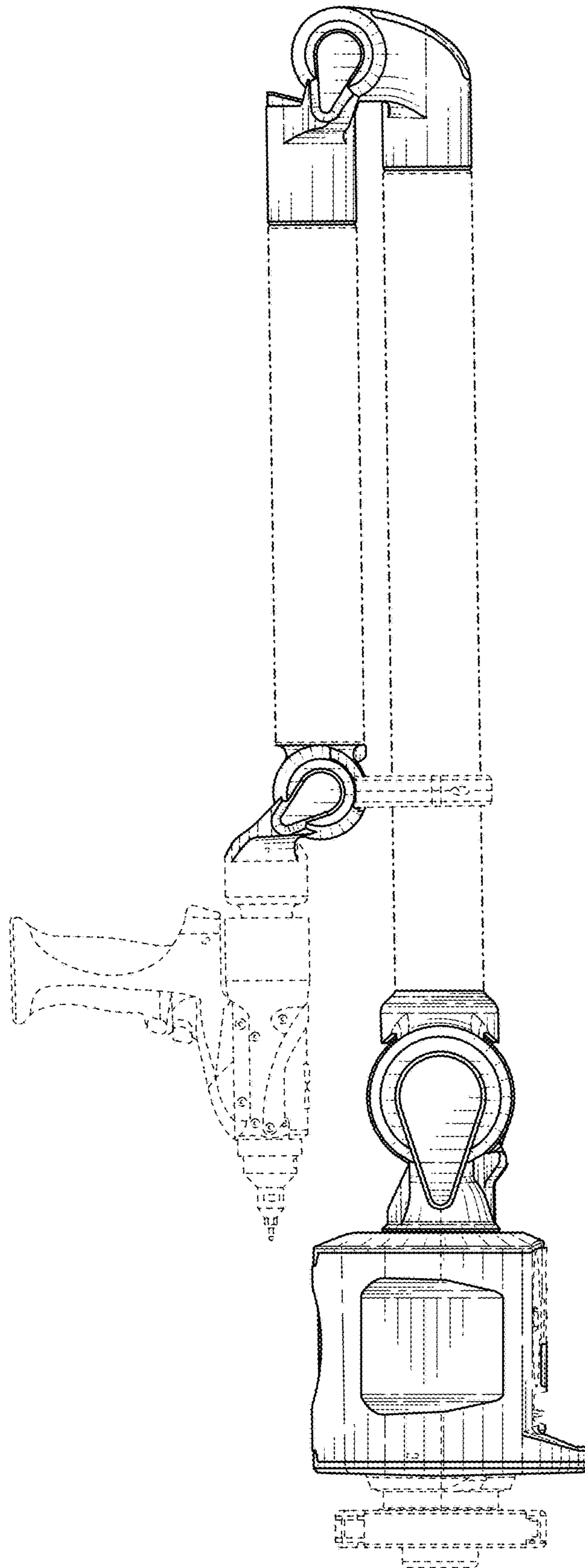


FIG. 4

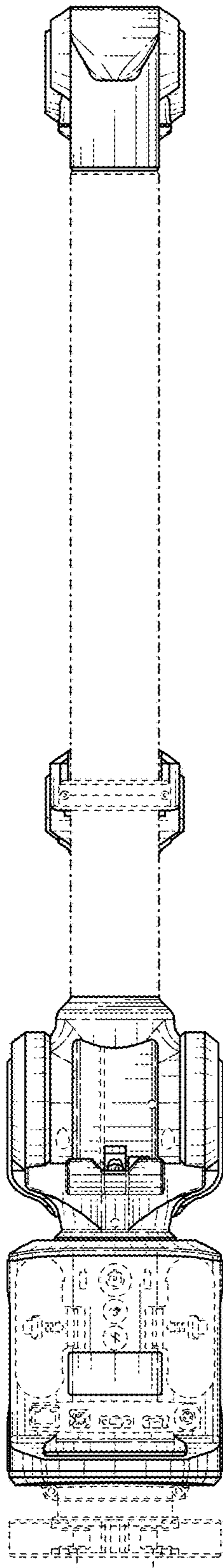


FIG. 5

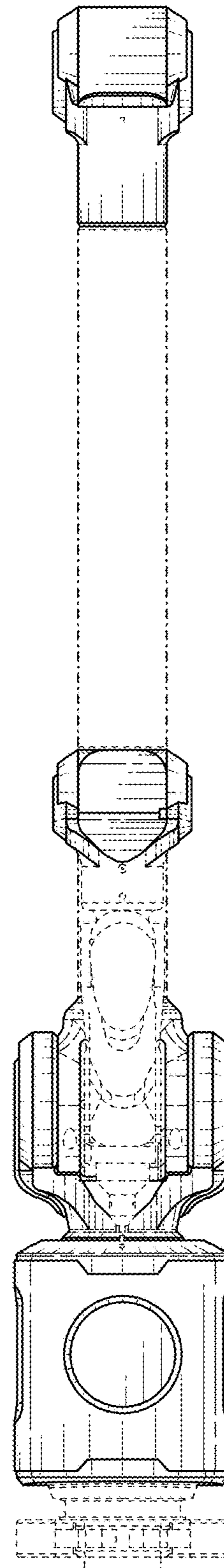


FIG. 6

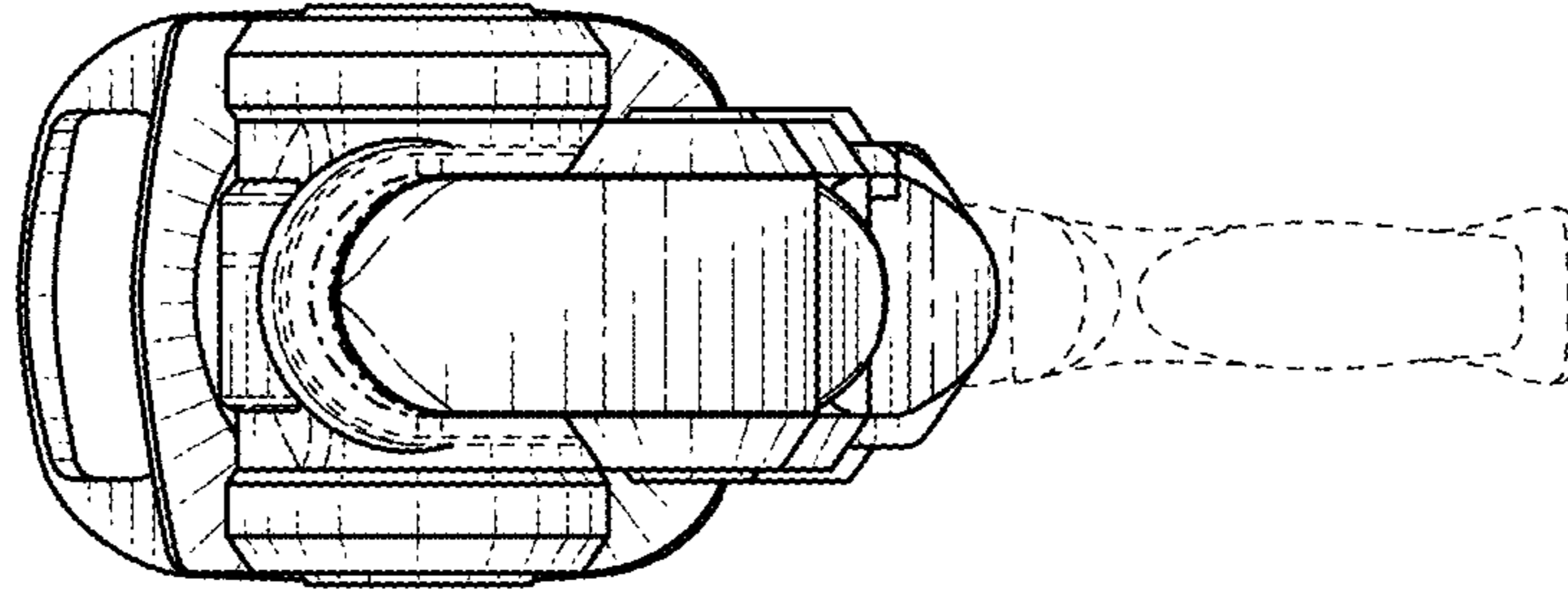


FIG. 7

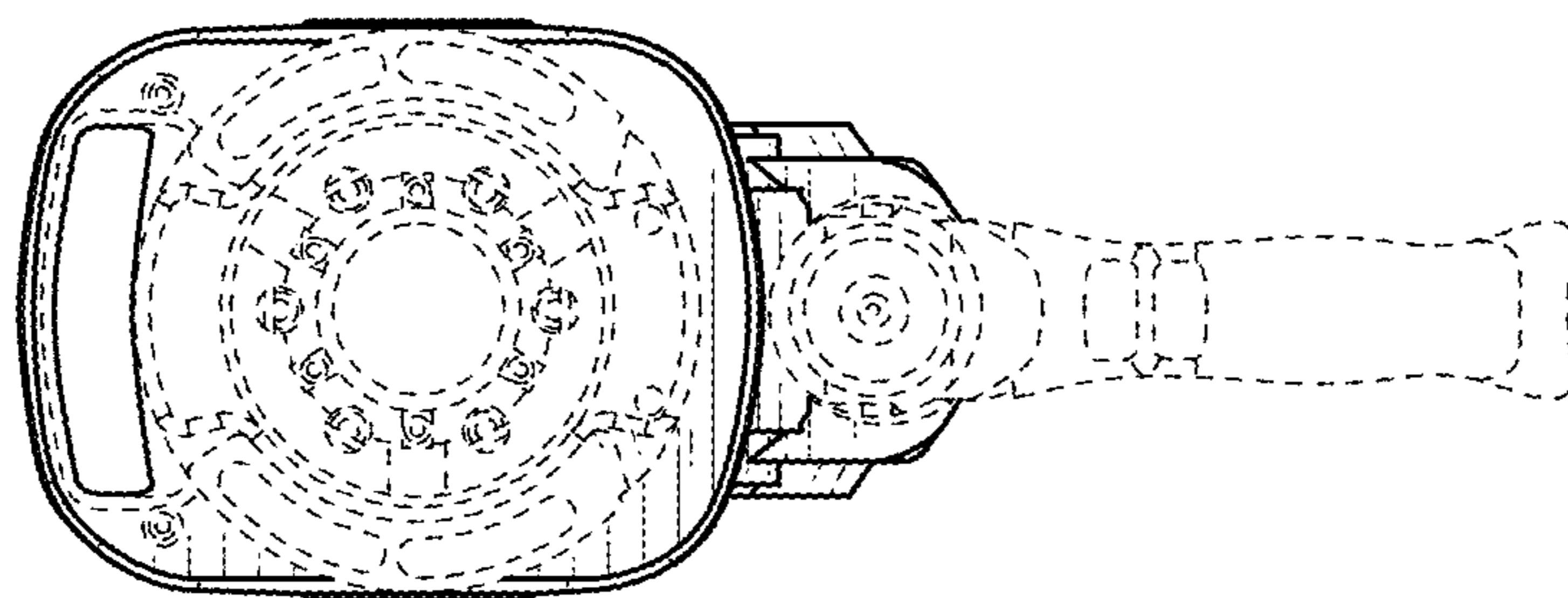


FIG. 8