



US00D833889S

(12) **United States Design Patent**  
**Hurst et al.**

(10) **Patent No.:** **US D833,889 S**

(45) **Date of Patent:** **\*\* Nov. 20, 2018**

(54) **CONTAINER**

- (71) Applicant: **Crown Packaging Technology, Inc.**, Alsip, IL (US)
- (72) Inventors: **Mark Hurst**, Nottinghamshire (GB); **Michael George Bonsall**, Nottinghamshire (GB); **David Malcolm Hollingworth**, Nottinghamshire (GB)
- (73) Assignee: **Crown Packaging Technology, Inc.**, Alsip, IL (US)
- (\*\*) Term: **15 Years**
- (21) Appl. No.: **29/560,278**
- (22) Filed: **Apr. 5, 2016**
- (30) **Foreign Application Priority Data**

Oct. 6, 2015 (EM) ..... 002811430-001  
 Oct. 6, 2015 (EM) ..... 002811430-002

- (51) **LOC (11) Cl.** ..... **09-01**
- (52) **U.S. Cl.**  
USPC ..... **D9/766; D9/770; D9/560; D9/566; D7/509**

- (58) **Field of Classification Search**  
USPC ..... D9/500, 502, 516, 530, 537, 539, 542, D9/549, 763-783; 215/381-385  
CPC ..... B21D 51/26; B21D 51/383; B29C 66/71; B65D 1/00; B65D 1/02; B65D 1/12; B65D 1/14; B65D 1/40; B65D 1/44; B65D 1/023; B65D 1/0223; B65D 1/165; B65D 1/238; B65D 1/246; B65D 1/253; B65D 7/04; B65D 21/0209; B65D 21/0233; B65D 25/00; B65D 25/28; B65D 41/0457; B65D 41/17; B65D 53/06; B65D 75/56; B65D

(Continued)

(56) **References Cited**

**U.S. PATENT DOCUMENTS**

D48,078 S \* 11/1915 Miles ..... D9/770  
 D189,556 S \* 1/1961 Wold ..... D9/558

(Continued)

*Primary Examiner* — Keli L Hill

(74) *Attorney, Agent, or Firm* — Baker & Hostetler LLP

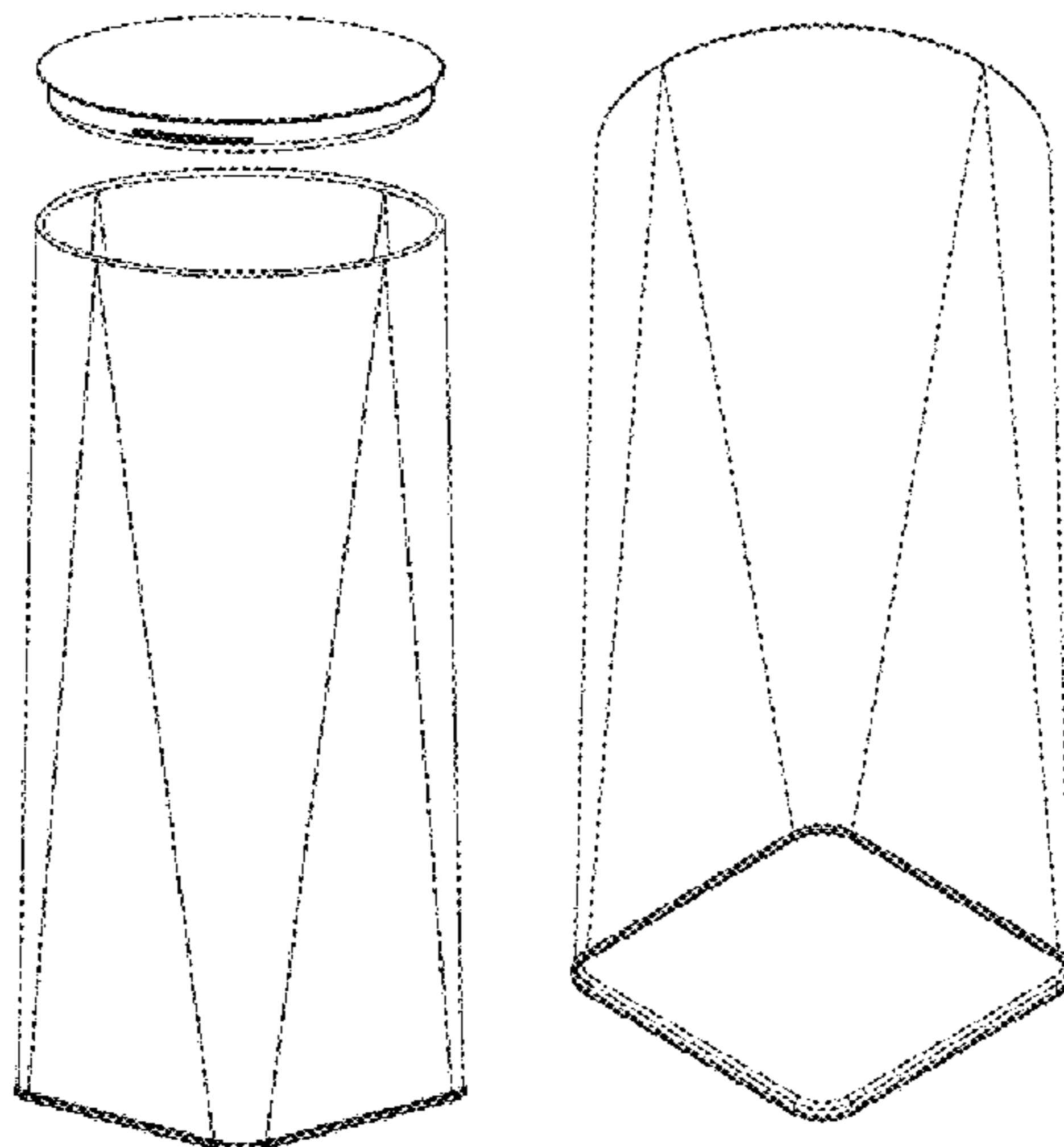
(57) **CLAIM**

We claim the ornamental design for a container, as shown and described.

**DESCRIPTION**

FIG. 1 is a perspective view of a first embodiment of the container according to our new design with its lid in an open configuration;  
 FIG. 2 is a perspective view thereof with its lid in a closed configuration;  
 FIG. 3 is a front elevation view thereof, with its lid in the open configuration, the front elevation view being identical to a rear elevation view thereof;  
 FIG. 4 is a right side elevation view thereof, with its lid in the closed configuration, the right side elevation view being identical to a left side elevation view thereof;  
 FIG. 5 is a top plan view thereof, with the lid removed;  
 FIG. 6 is a bottom perspective view thereof;  
 FIG. 7 is a bottom plan view thereof;  
 FIG. 8 is a perspective view of a second embodiment of the container according to our new design with its lid in an open configuration;  
 FIG. 9 is a perspective view thereof with its lid in a closed configuration;  
 FIG. 10 is a front elevation view thereof, with its lid in the open configuration, the front elevation view being identical to a rear elevation view thereof;  
 FIG. 11 is a right side elevation view thereof, with its lid in the closed configuration, the right side elevation view being identical to a left side elevation view thereof;  
 FIG. 12 is a top plan view thereof, with the lid removed;  
 FIG. 13 is a bottom perspective view thereof; and,  
 FIG. 14 is a bottom plan view thereof.

**1 Claim, 6 Drawing Sheets**



(58) **Field of Classification Search**

CPC ..... 79/005; B65D 2501/0036; B65D  
2543/00064; B65D 2543/00074; B65D  
2543/00083; B65D 2543/00092; B65D  
2543/00101; B65D 2543/00111; Y10T  
29/49826

See application file for complete search history.

(56) **References Cited**

U.S. PATENT DOCUMENTS

D211,514	S	*	6/1968	Amberg	.....	D7/531
D293,869	S	*	1/1988	Durand	.....	D7/531
D372,672	S	*	8/1996	Ishimoto	.....	D9/770
D411,460	S	*	6/1999	Nobuto	.....	D9/560
D523,348	S	*	6/2006	Tampieri	.....	D9/560
D538,645	S	*	3/2007	McDowell	.....	D9/782
D559,039	S	*	1/2008	Freeman	.....	D7/509
D604,617	S	*	11/2009	Shearsby	.....	D9/516
D637,914	S	*	5/2011	Schoeneck	.....	D9/541
D659,472	S	*	5/2012	D'Amato	.....	D7/509
D661,985	S	*	6/2012	Macaulay	.....	D9/500
D694,642	S	*	12/2013	Infahsaeng	.....	D9/559
D699,595	S	*	2/2014	Farrow	.....	D9/772
D714,589	S	*	10/2014	Uchida	.....	D7/523
D757,559	S	*	5/2016	Sanghavi	.....	D9/559
D769,717	S	*	10/2016	Fairchild, Jr.	.....	D7/624.2
D787,337	S	*	5/2017	Niesmann	.....	D9/560

\* cited by examiner

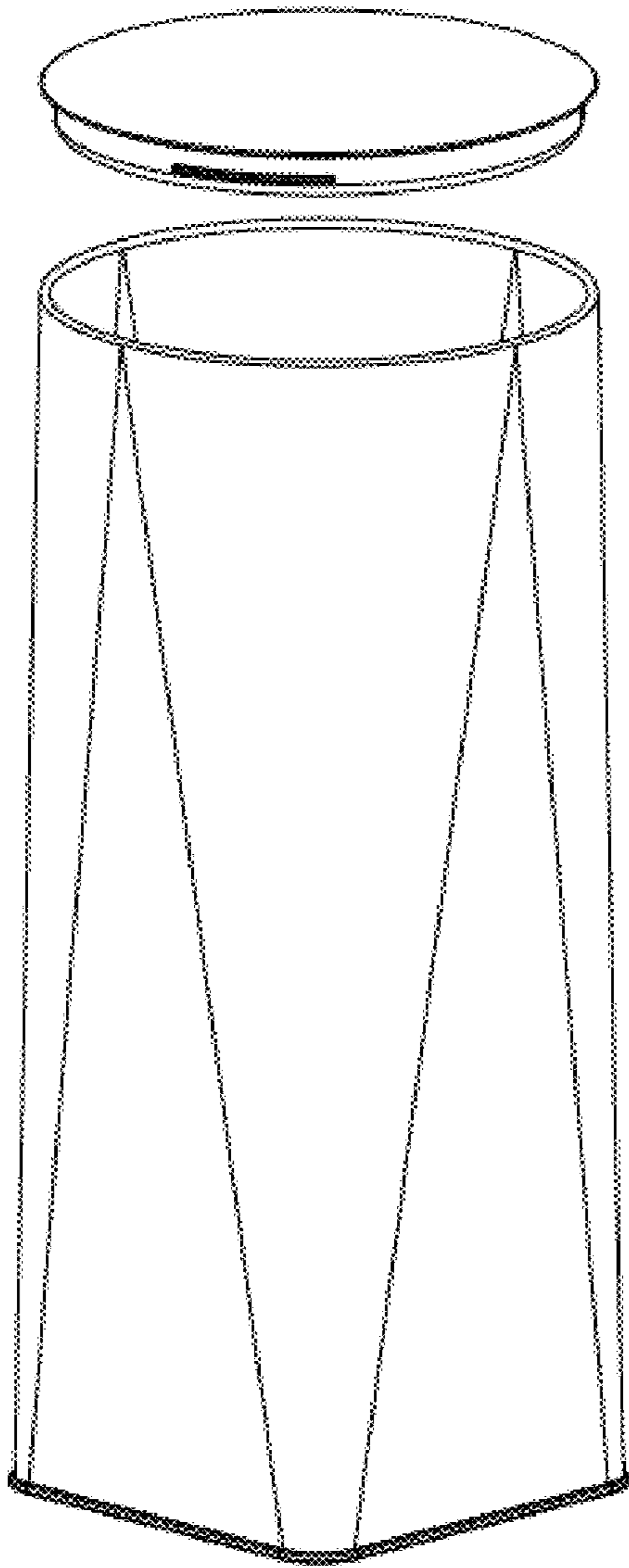


Figure 1

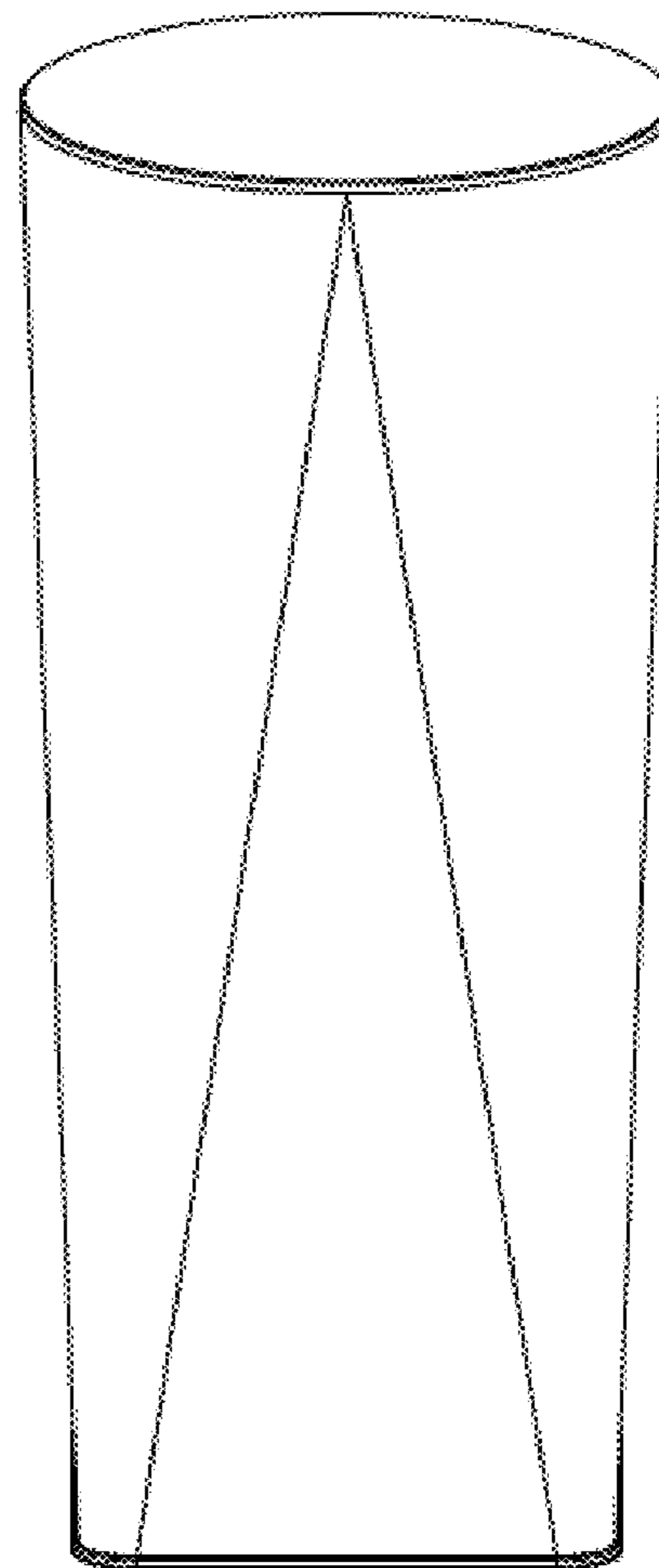


Figure 2

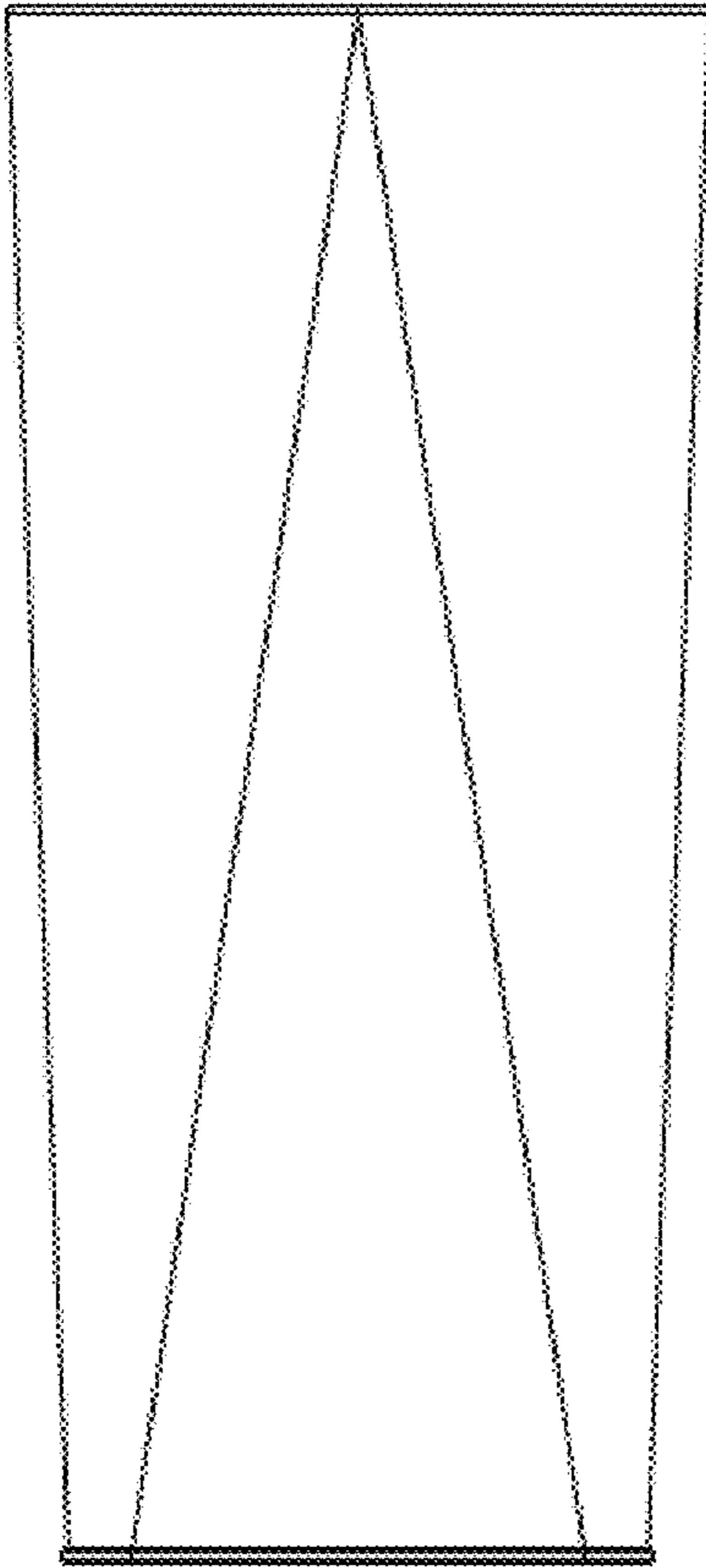


Figure 3

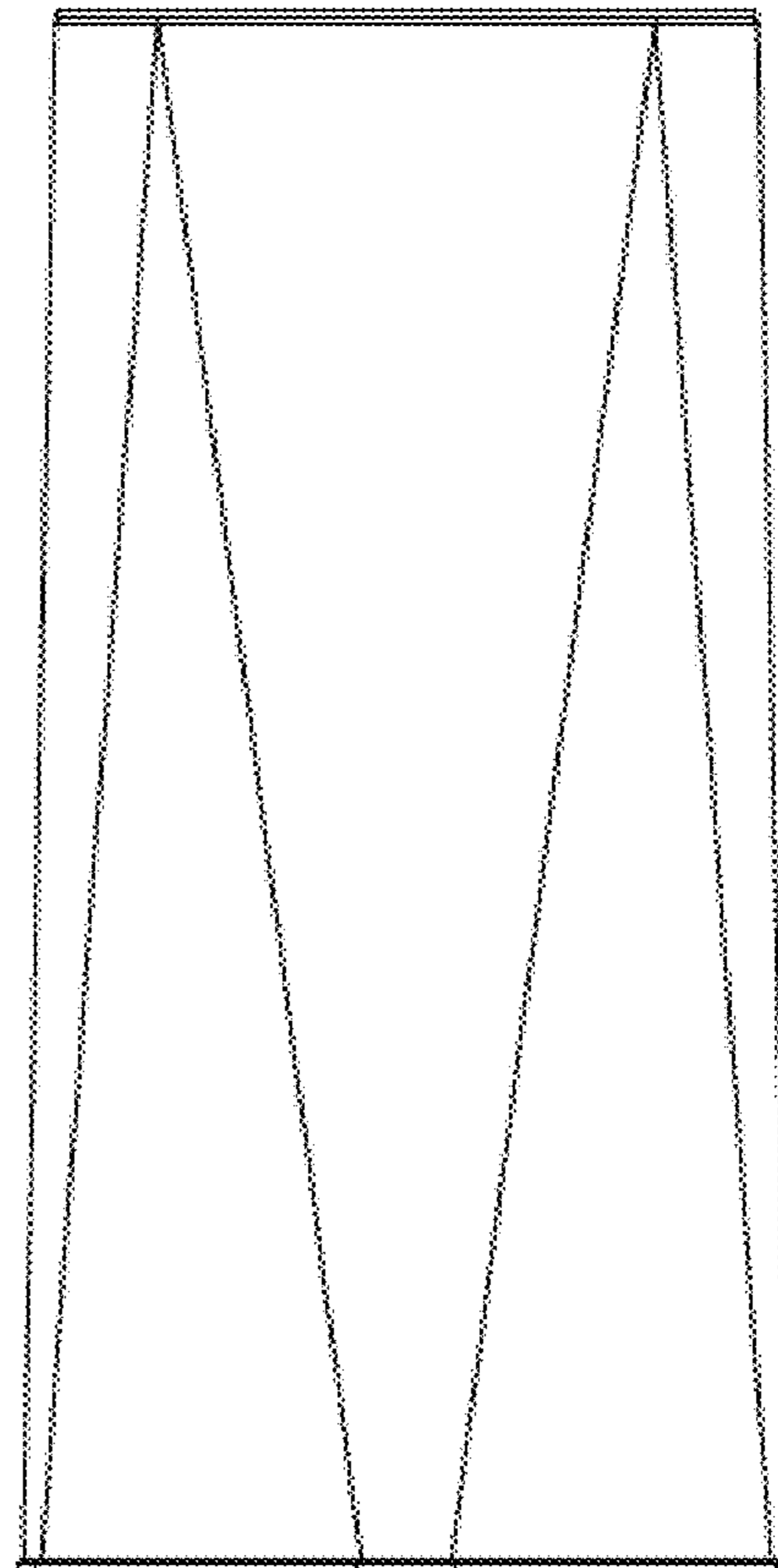


Figure 4

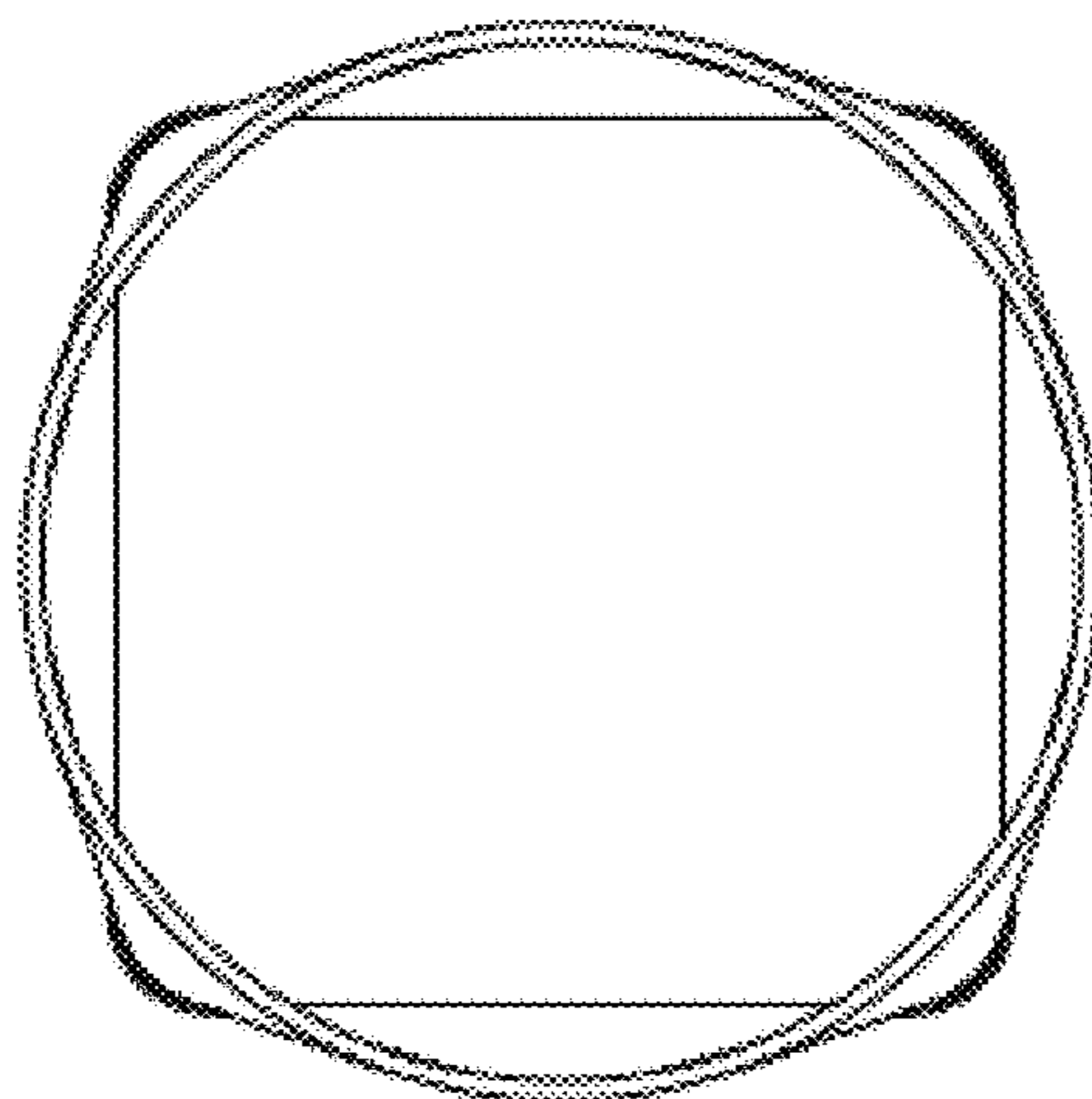


Figure 5

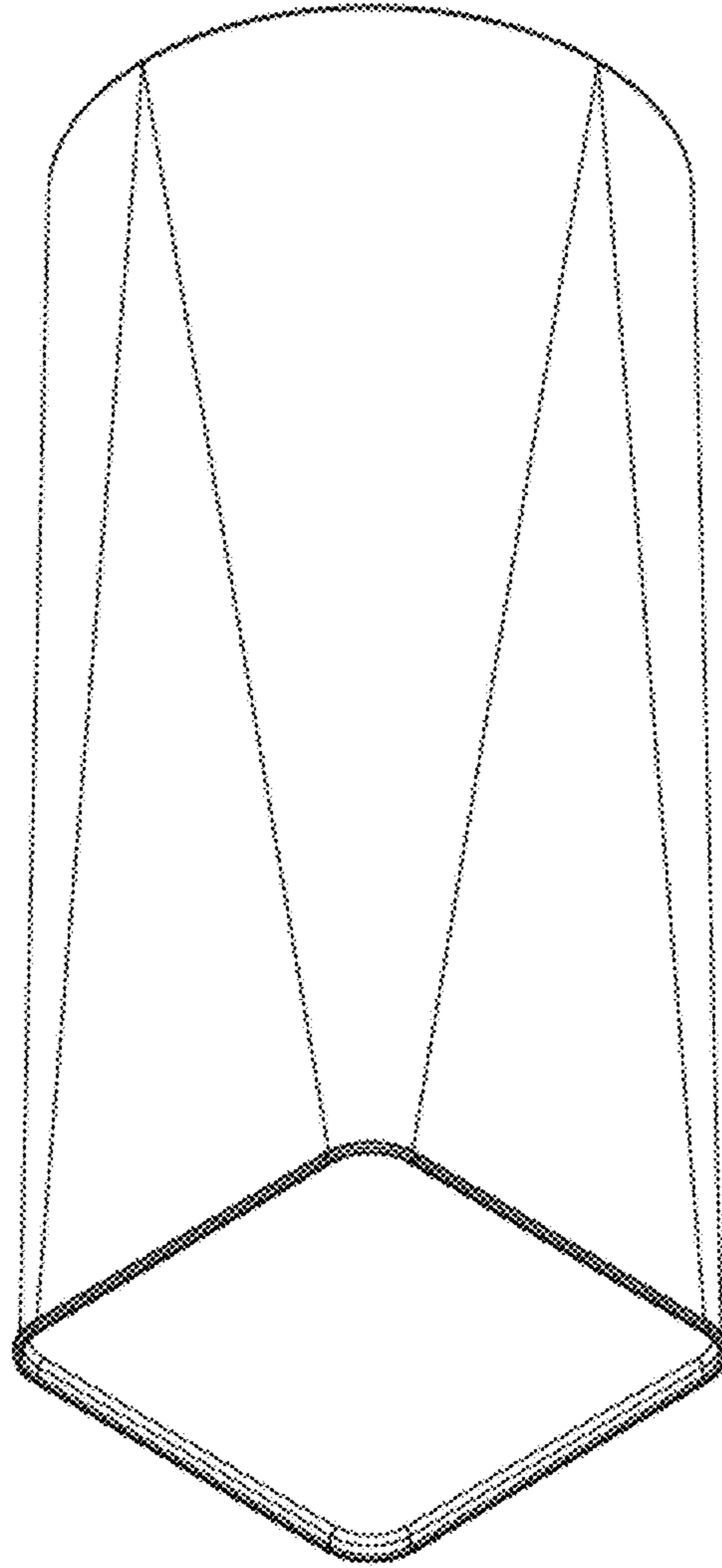


Figure 6

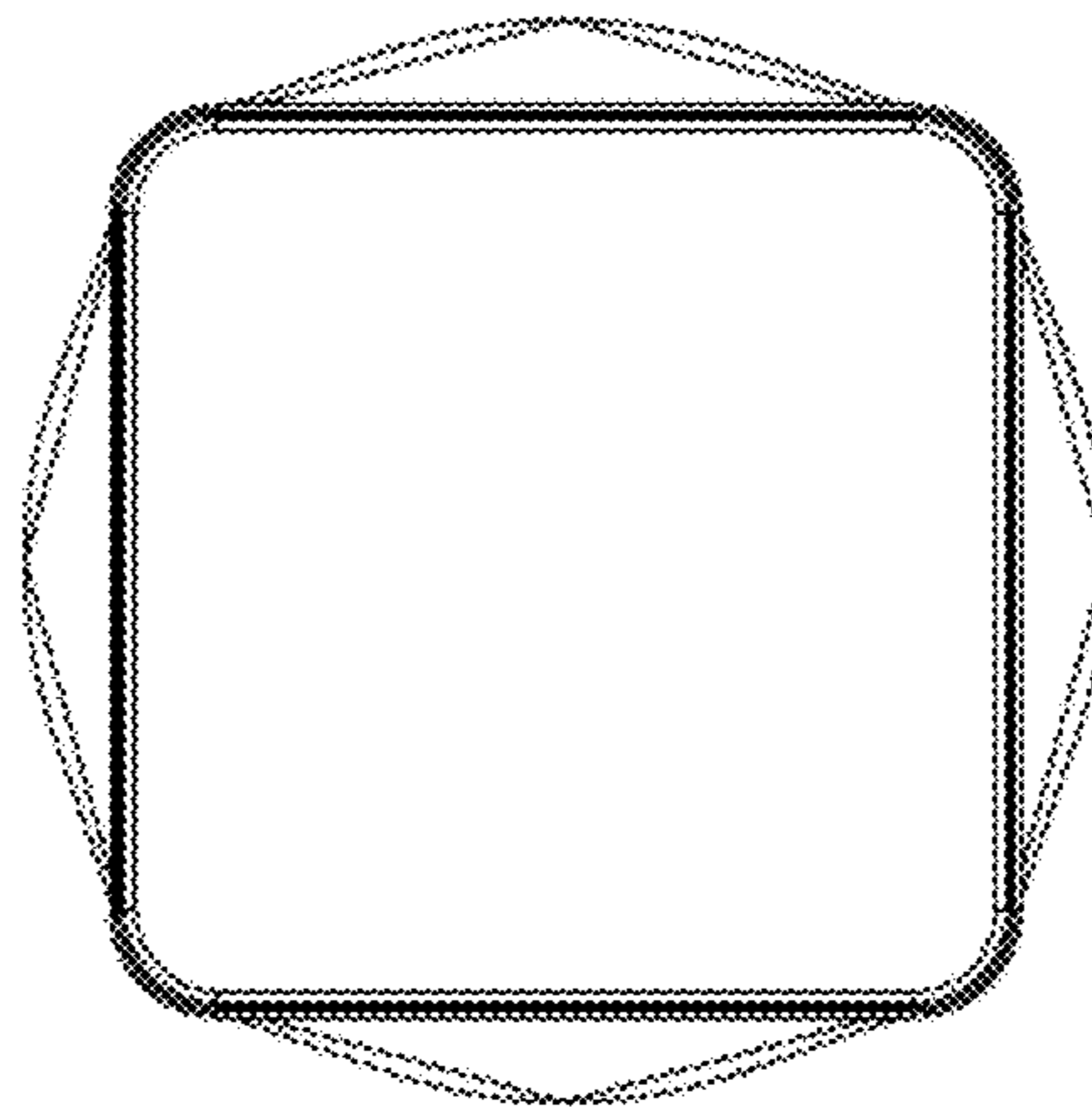


Figure 7

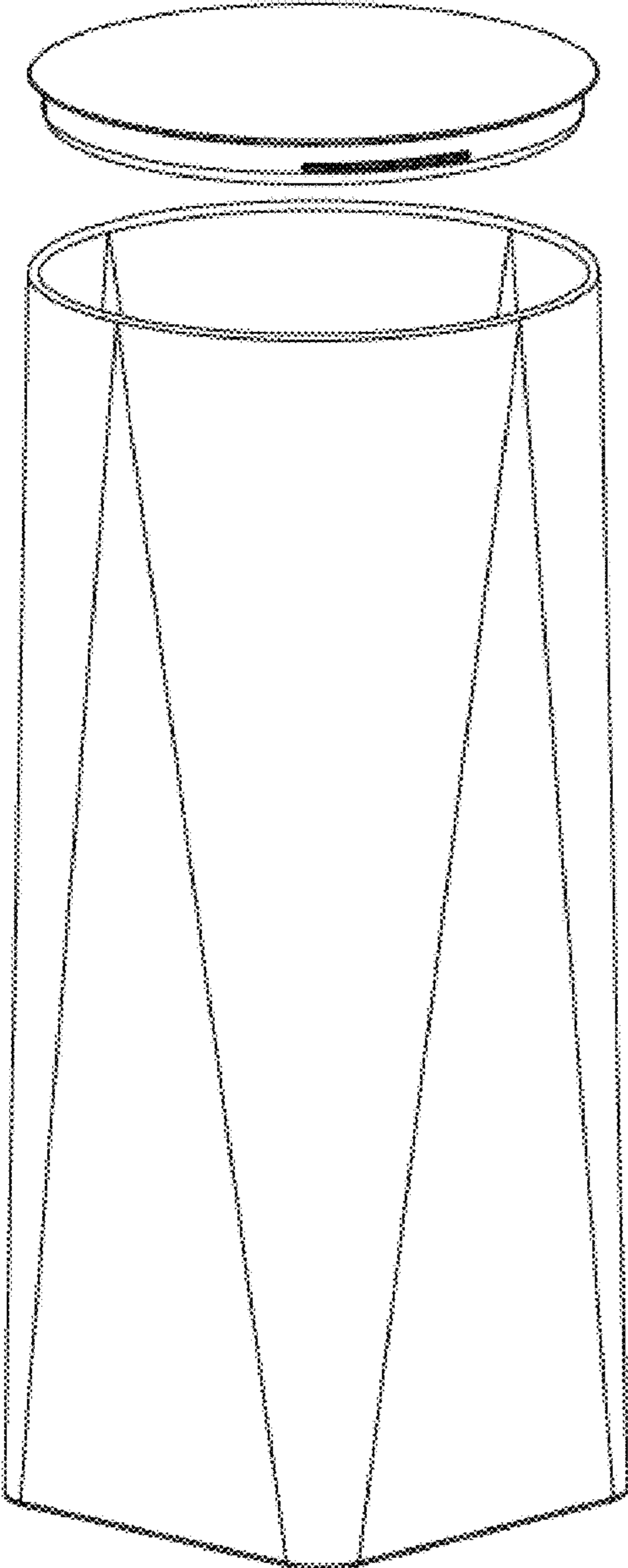


Figure 8

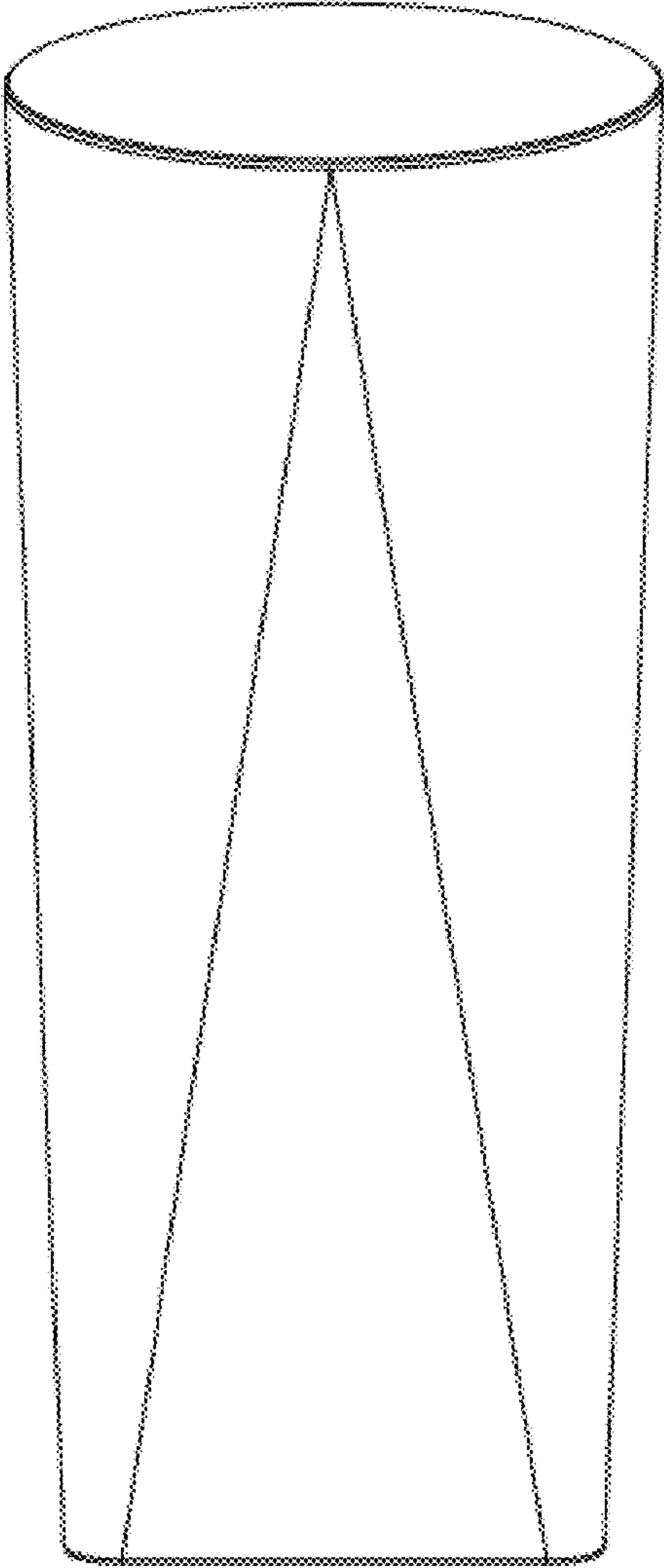


Figure 9

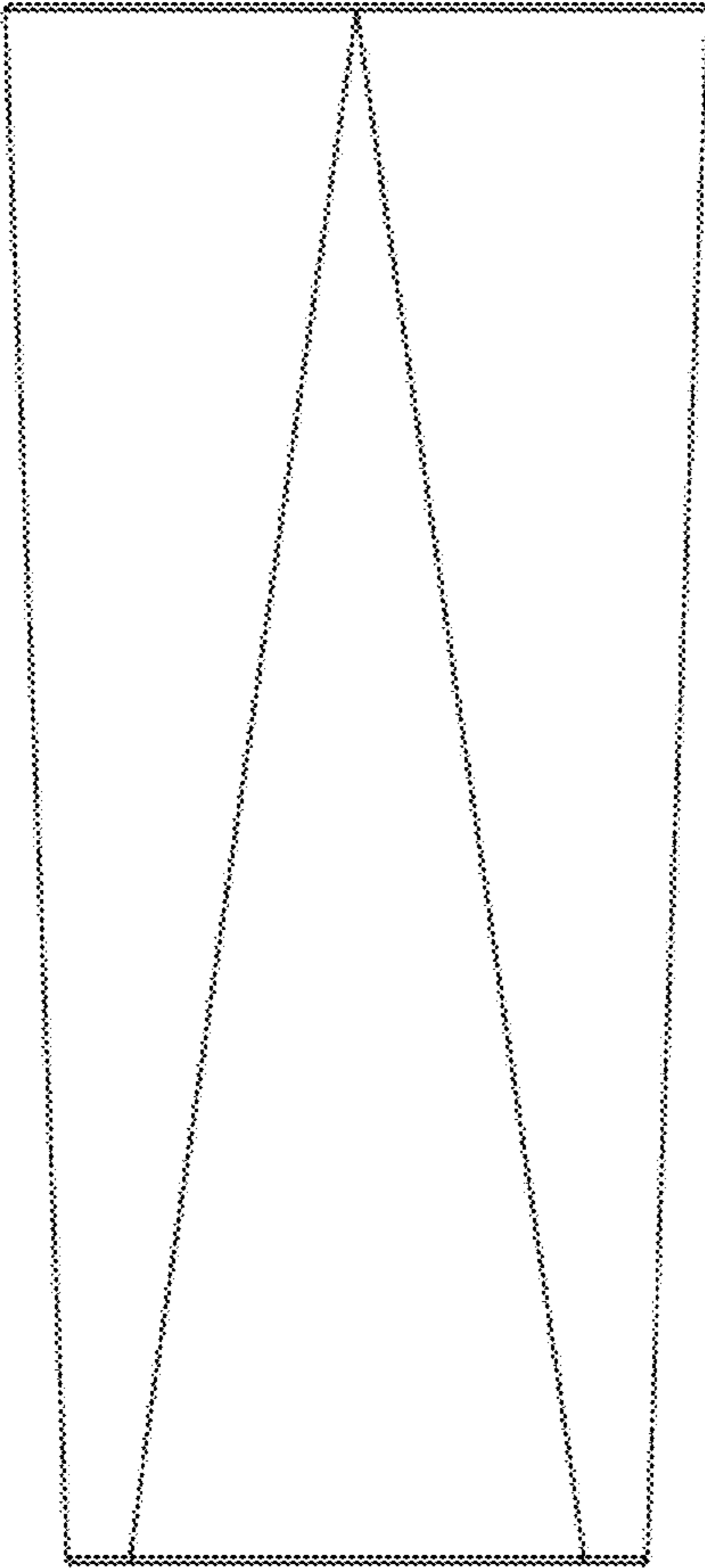
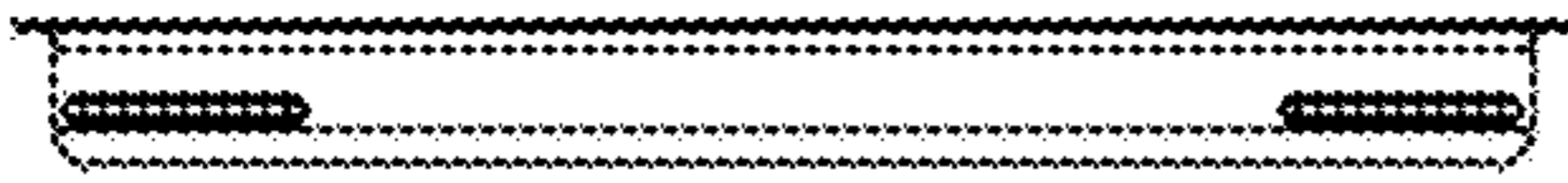


Figure 10

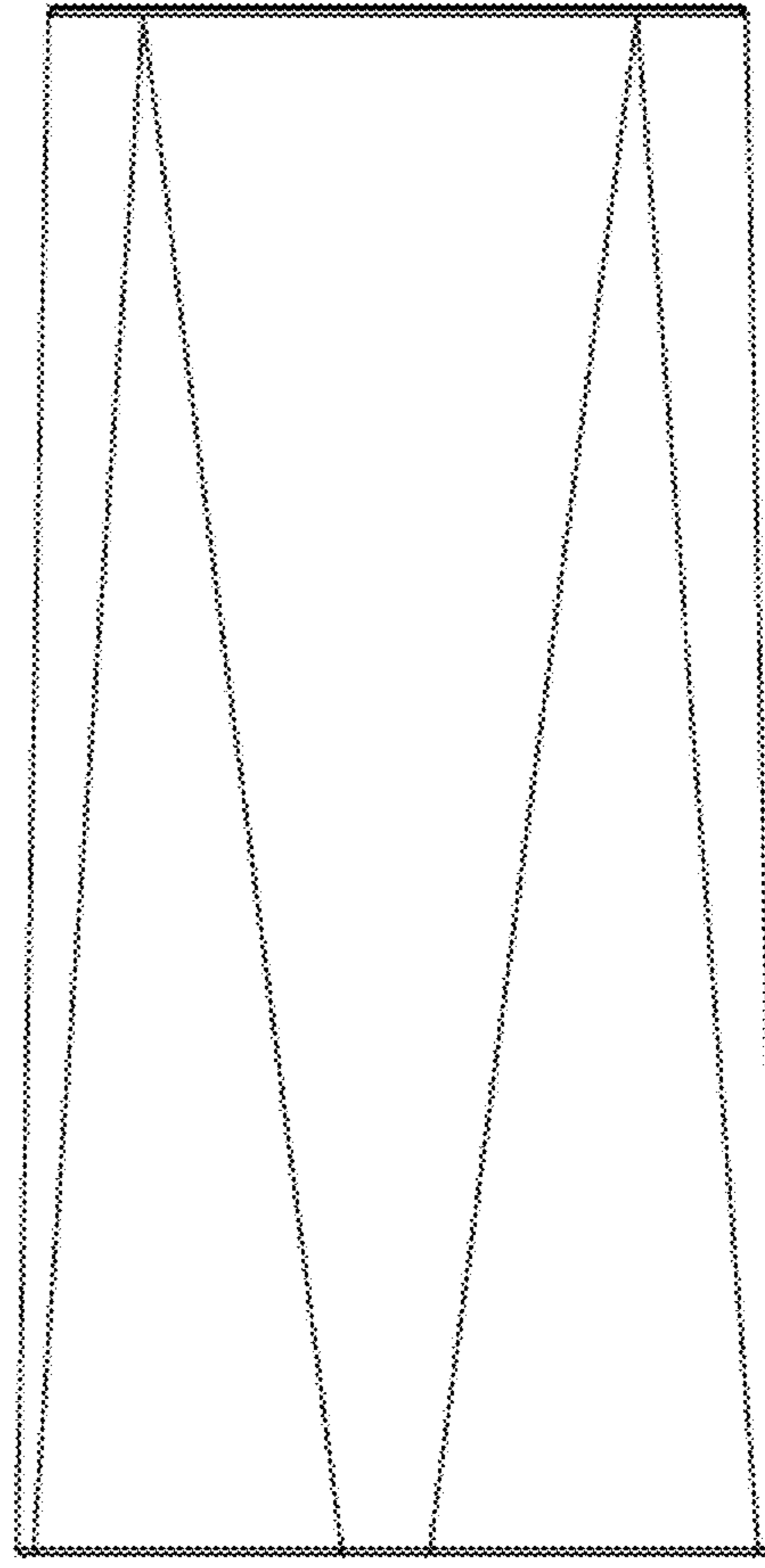


Figure 11

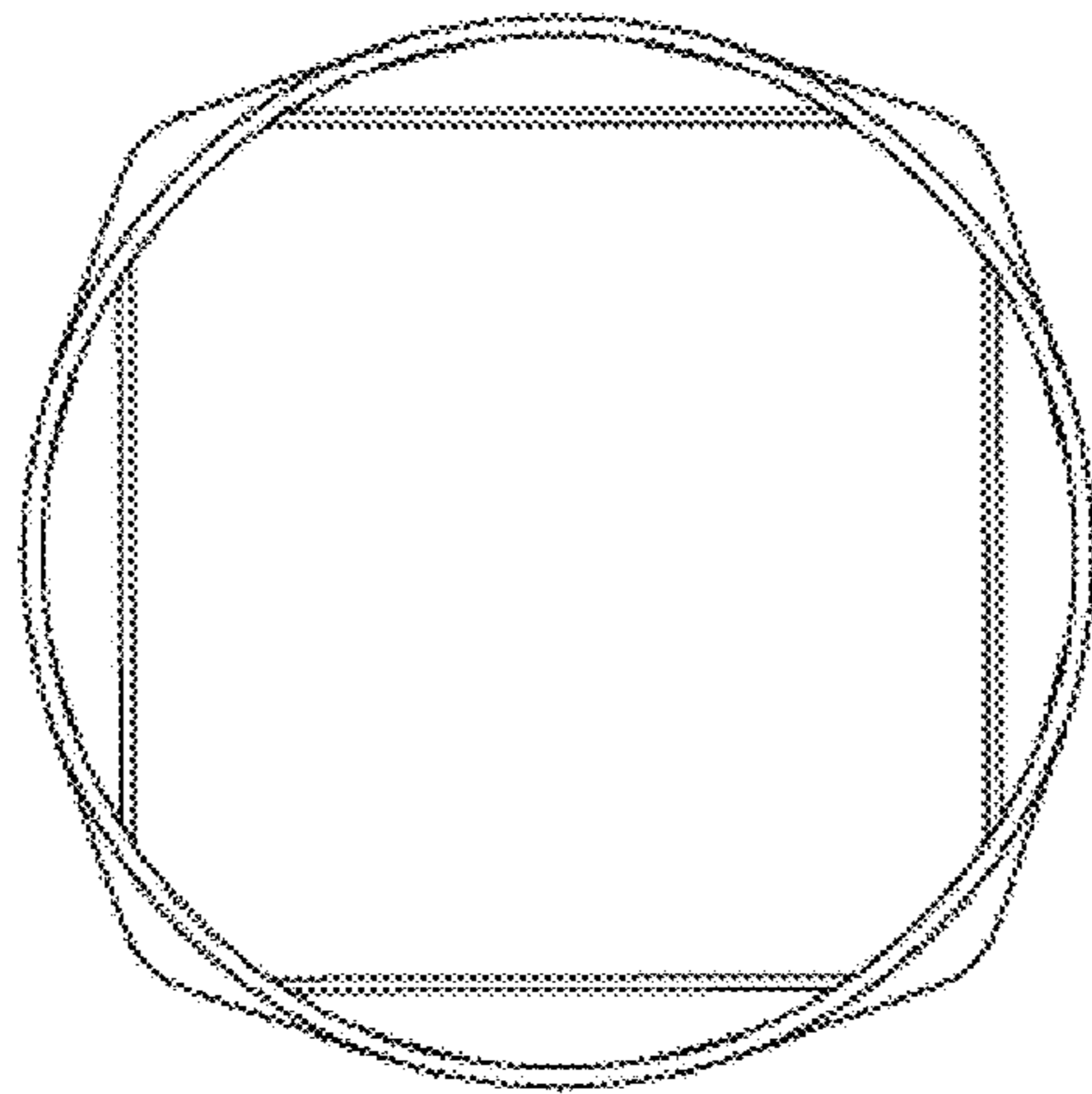


Figure 12

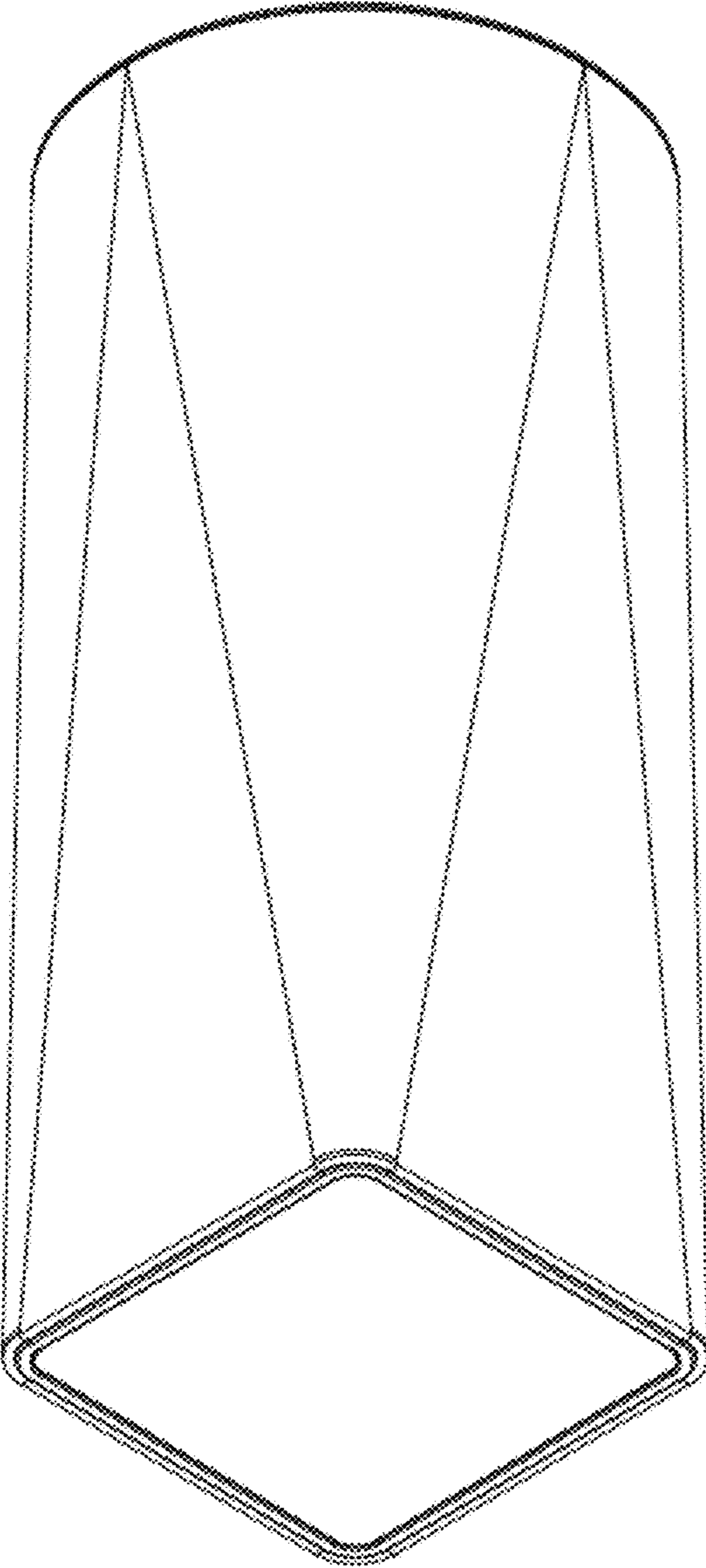


Figure 13

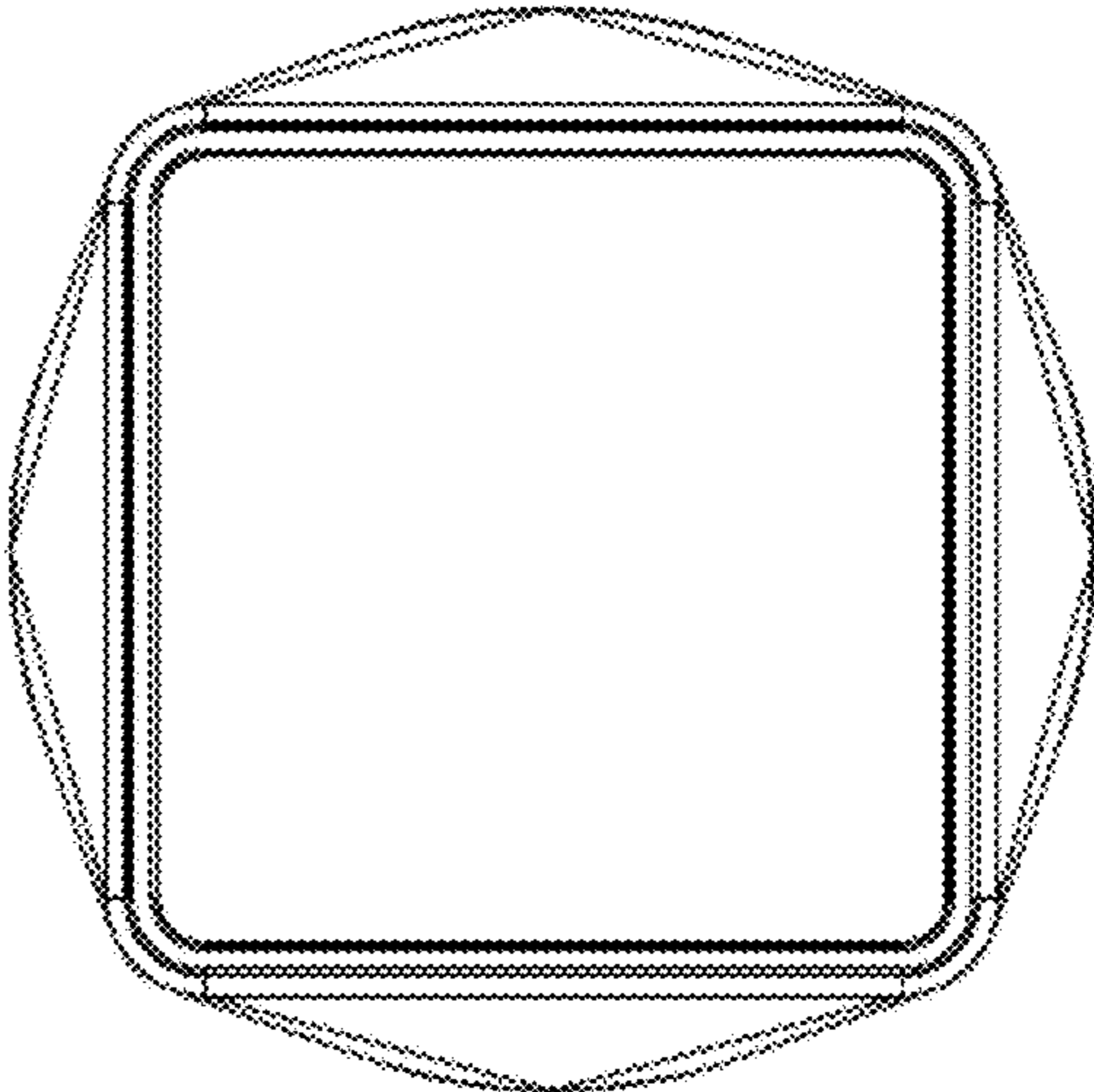


Figure 14