



US00D833887S

(12) **United States Design Patent** (10) **Patent No.:** **US D833,887 S**
Akana et al. (45) **Date of Patent:** **** Nov. 20, 2018**

(54) **PACKAGING WITH ACCESSORY**

(71) Applicant: **Apple Inc.**, Cupertino, CA (US)

(72) Inventors: **Jody Akana**, San Francisco, CA (US); **Molly Anderson**, San Francisco, CA (US); **Bartley K. Andre**, Palo Alto, CA (US); **Shota Aoyagi**, San Francisco, CA (US); **Anthony Michael Ashcroft**, San Francisco, CA (US); **Marine C. Bataille**, San Francisco, CA (US); **Jeremy Bataillou**, San Francisco, CA (US); **Daniele De Iuliis**, San Francisco, CA (US); **Markus Diebel**, San Francisco, CA (US); **M. Evans Hankey**, San Francisco, CA (US); **Julian Hoenig**, San Francisco, CA (US); **Richard P. Howarth**, San Francisco, CA (US); **Jonathan P. Ive**, San Francisco, CA (US); **Julian Jaede**, San Francisco, CA (US); **Duncan Robert Kerr**, San Francisco, CA (US); **Peter Russell-Clarke**, San Francisco, CA (US); **Benjamin Andrew Shaffer**, San Jose, CA (US); **Mikael Silvanto**, San Francisco, CA (US); **Christopher J. Stringer**, Woodside, CA (US); **Sung-Ho Tan**, San Francisco, CA (US); **Clement Tissandier**, San Francisco, CA (US); **Eugene Antony Whang**, San Francisco, CA (US); **Rico Zörkendörfer**, San Francisco, CA (US)

(73) Assignee: **Apple Inc.**, Cupertino, CA (US)

(**) Term: **15 Years**

(21) Appl. No.: **29/632,039**

(22) Filed: **Jan. 4, 2018**

Related U.S. Application Data

(63) Continuation of application No. 29/575,695, filed on Aug. 26, 2016, now Pat. No. Des. 808,281.

(51) **LOC (11) Cl.** 09-01

(52) **U.S. Cl.**
USPC **D9/721**

(58) **Field of Classification Search**
USPC D9/414, 418, 423, 424, 425, 426, 430, D9/432, 455, 456, 457, 715, 721; D14/223; D3/201; D8/356
CPC B65D 5/4204; B65D 2571/0066; B65D 1/36; B65D 71/0003; B65D 1/34; B65D 77/24; B65D 75/327; B65D 71/70; B65D 85/00; B65D 75/32; B65D 75/36; B65D 5/5038; B65D 75/30; B65D 81/36; B65D
(Continued)

(56) **References Cited**

U.S. PATENT DOCUMENTS

1,315,593 A 9/1919 Binder
D273,178 S 3/1984 Dunlap
(Continued)

Primary Examiner — Lauren R Calve
(74) *Attorney, Agent, or Firm* — Sterne, Kessler, Goldstein & Fox P.L.L.C.

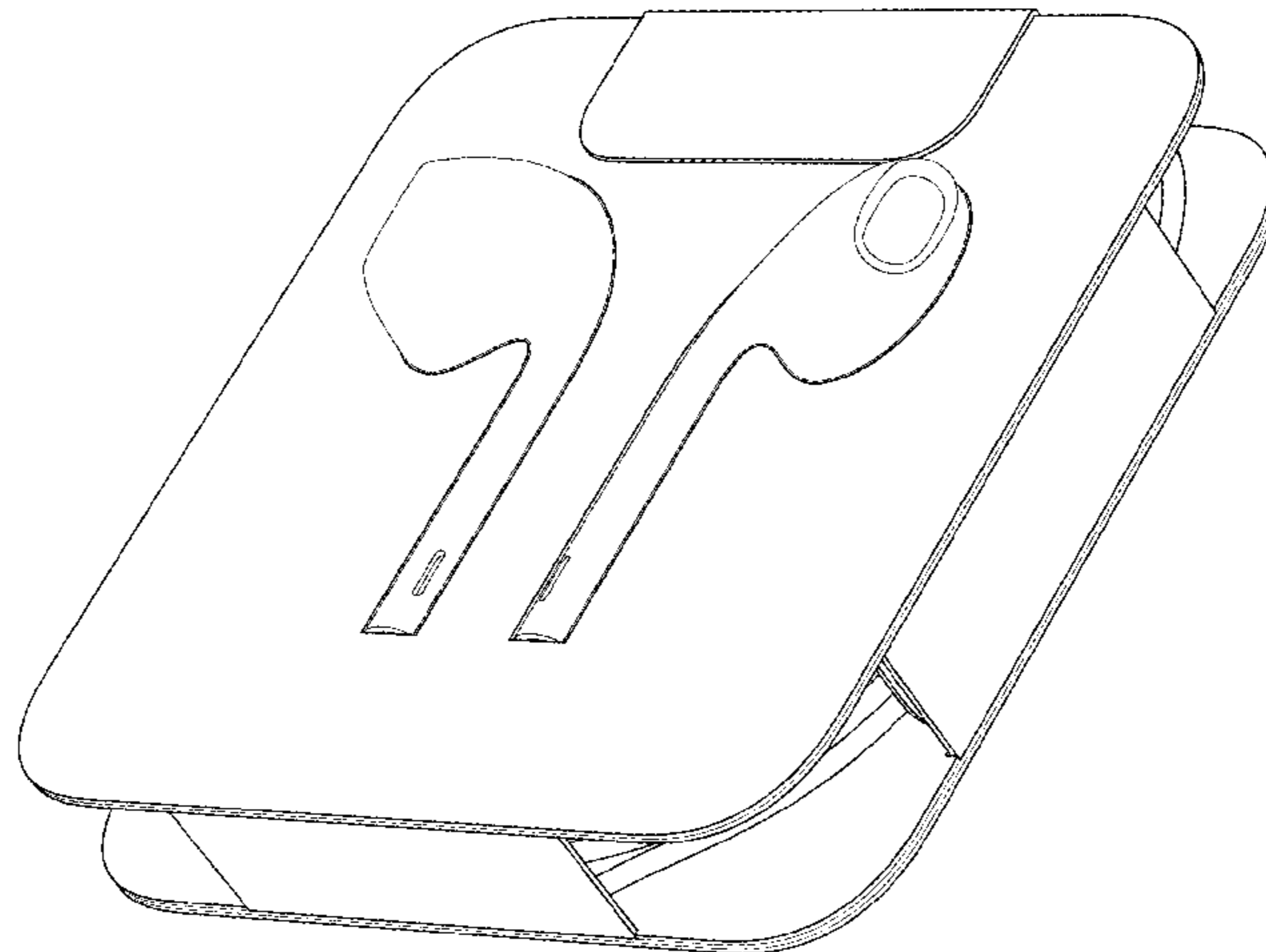
(57) **CLAIM**

The ornamental design for packaging with accessory, as shown and described.

DESCRIPTION

FIG. 1 is a bottom front perspective view of packaging with accessory showing the claimed design; FIG. 2 is a front view thereof; FIG. 3 is a rear view thereof; FIG. 4 is a left side view thereof; FIG. 5 is a right side view thereof; FIG. 6 is a bottom view thereof; and, FIG. 7 is a top view thereof.

1 Claim, 5 Drawing Sheets



(58) **Field of Classification Search**
 CPC 2501/24019; B65D 25/54; B65D 5/2033;
 B65D 75/14; B65D 2571/0029; B65D
 75/367; B65D 75/323; B65D 25/04;
 B65D 2543/00194; B65D 5/566; B65D
 5/503; B65D 5/5028; B65D 77/003;
 B65D 81/3453; B65D 81/133; B65D
 77/0433; B65D 21/0233
 See application file for complete search history.

(56) **References Cited**
 U.S. PATENT DOCUMENTS

4,542,822 A 9/1985 Kennedy, Jr. et al.
 4,938,344 A 7/1990 McHale et al.
 5,394,983 A 3/1995 Latulippe et al.
 5,462,170 A 10/1995 Colgate
 D369,295 S 4/1996 Kobari et al.
 5,602,612 A * 2/1997 Angeli B65D 75/32
 206/316.1
 5,730,294 A 3/1998 Blosser et al.
 D397,865 S 9/1998 Lin
 5,887,720 A * 3/1999 Lin H04R 1/10
 206/38
 5,950,830 A * 9/1999 Trigger A61K 9/703
 206/440
 5,967,327 A * 10/1999 Jones B65D 81/075
 206/466
 5,984,224 A 11/1999 Yang
 6,305,539 B1 10/2001 Sanders, Jr.
 6,571,956 B2 6/2003 Mann
 D506,744 S 6/2005 Andre et al.
 D531,025 S 10/2006 Tanner
 D542,123 S 5/2007 Symons
 D580,752 S 11/2008 Andre et al.
 D601,884 S 10/2009 Andre et al.
 D603,376 S 11/2009 Blasko
 D604,501 S 11/2009 Lee
 D607,317 S 1/2010 Collins
 D620,781 S 8/2010 Weckwerth
 D621,256 S 8/2010 Andre et al.
 D633,388 S 3/2011 Andre et al.
 D649,449 S 11/2011 Akana et al.
 D658,492 S 5/2012 Akana et al.
 D659,530 S 5/2012 Akana et al.
 D668,143 S 10/2012 Akana et al.
 D672,660 S 12/2012 Vural
 D681,015 S 4/2013 Akana et al.
 D684,539 S 6/2013 Akana et al.
 D685,771 S 7/2013 Bertenthal
 8,534,463 B2 * 9/2013 Smith B65D 81/022
 206/461
 D691,594 S 10/2013 Akana et al.
 8,564,436 B2 10/2013 Oleen

D694,249 S 11/2013 Akana et al.
 D696,144 S 12/2013 Akana et al.
 8,602,254 B2 12/2013 Ki
 D699,188 S 2/2014 Akana et al.
 8,668,160 B2 3/2014 Cheng
 D704,072 S 5/2014 Akana et al.
 D704,073 S 5/2014 Akana et al.
 D706,643 S 6/2014 Akana et al.
 D709,384 S 7/2014 Vural
 8,811,646 B1 * 8/2014 Romeo H04R 1/1033
 381/370
 D712,279 S 9/2014 Akana et al.
 D712,748 S 9/2014 Akana et al.
 D713,738 S 9/2014 Akana et al.
 D713,739 S 9/2014 Akana et al.
 D720,330 S 12/2014 Stevinson
 D720,718 S 1/2015 Stevinson
 D722,264 S 2/2015 Saideh
 D722,497 S 2/2015 Saideh
 D723,792 S * 3/2015 Anderson D3/201
 D739,657 S 9/2015 Hsieh et al.
 D740,653 S 10/2015 Akana et al.
 D744,855 S 12/2015 Akana et al.
 D752,521 S 3/2016 Place
 D758,841 S * 6/2016 Russo D9/415
 D782,327 S * 3/2017 Akana et al.
 D796,968 S * 9/2017 Akana D14/223
 D799,316 S * 10/2017 Thain D9/415
 D801,314 S * 10/2017 Akana D14/223
 D807,761 S * 1/2018 Akana D9/721
 D808,281 S * 1/2018 Akana D9/721
 9,877,098 B1 * 1/2018 Riley H04R 1/1033
 9,975,692 B2 * 5/2018 Pincus B65D 85/671
 10,003,880 B2 * 6/2018 Wagman H04R 1/1016
 2003/0106823 A1 * 6/2003 Liao B65H 75/4434
 206/408
 2005/0123164 A1 6/2005 Yao et al.
 2005/0194021 A1 9/2005 Byun
 2007/0020993 A1 1/2007 Symons
 2007/0051662 A1 * 3/2007 Millar-Sax B65D 5/0254
 206/702
 2009/0285436 A1 11/2009 Lowry
 2010/0320961 A1 * 12/2010 Castillo H02J 7/0044
 320/107
 2011/0317865 A1 12/2011 Stevinson
 2012/0128193 A1 5/2012 Stevinson
 2013/0114231 A1 5/2013 Cheng
 2013/0134252 A1 5/2013 Cheng
 2013/0265702 A1 10/2013 Merenda
 2014/0233783 A1 * 8/2014 Chardon H04R 1/1033
 381/384
 2017/0031164 A1 2/2017 Costa et al.
 2017/0031165 A1 2/2017 Costa et al.
 2017/0060262 A1 3/2017 Hviid et al.

* cited by examiner

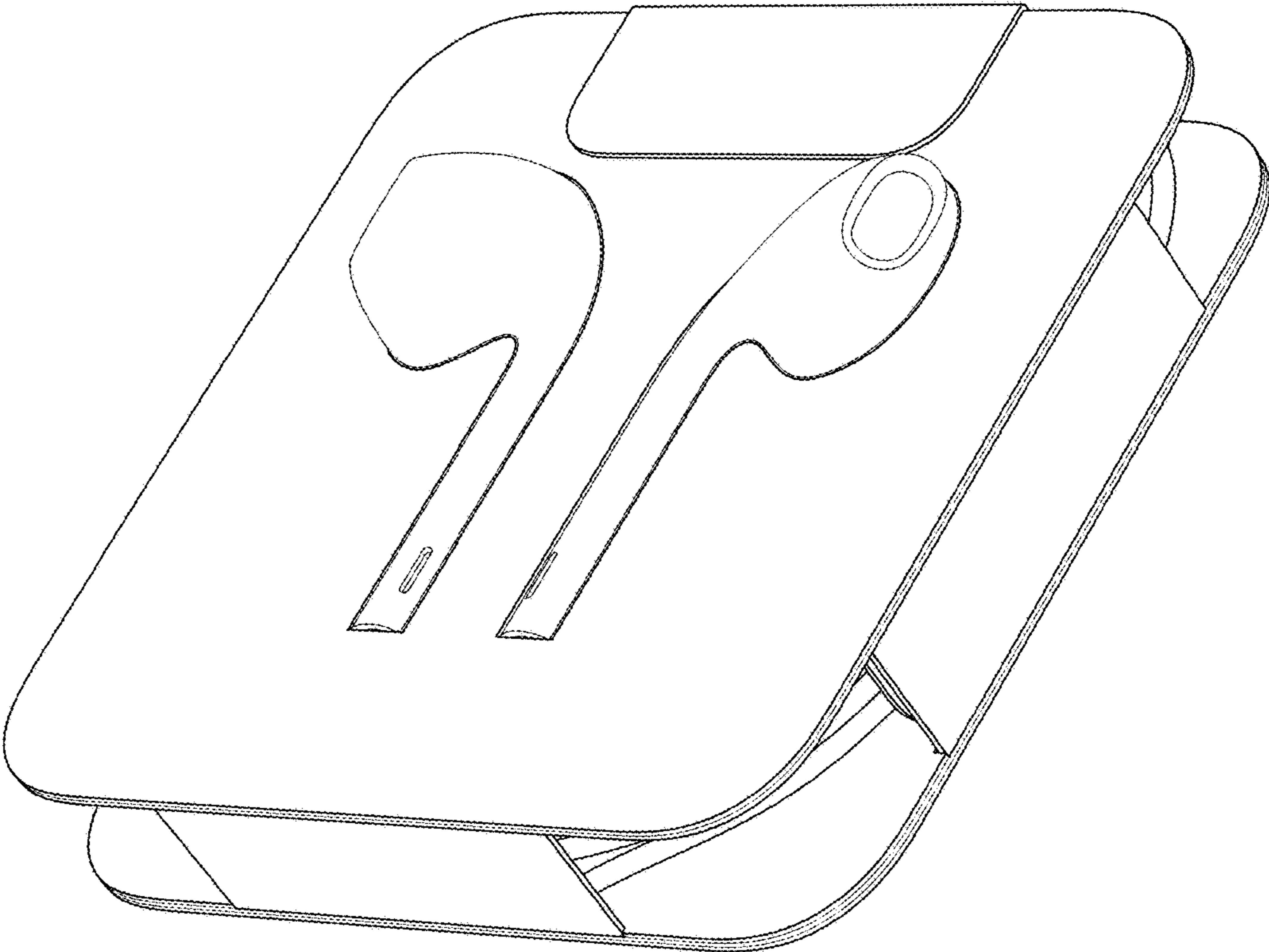


FIG. 1

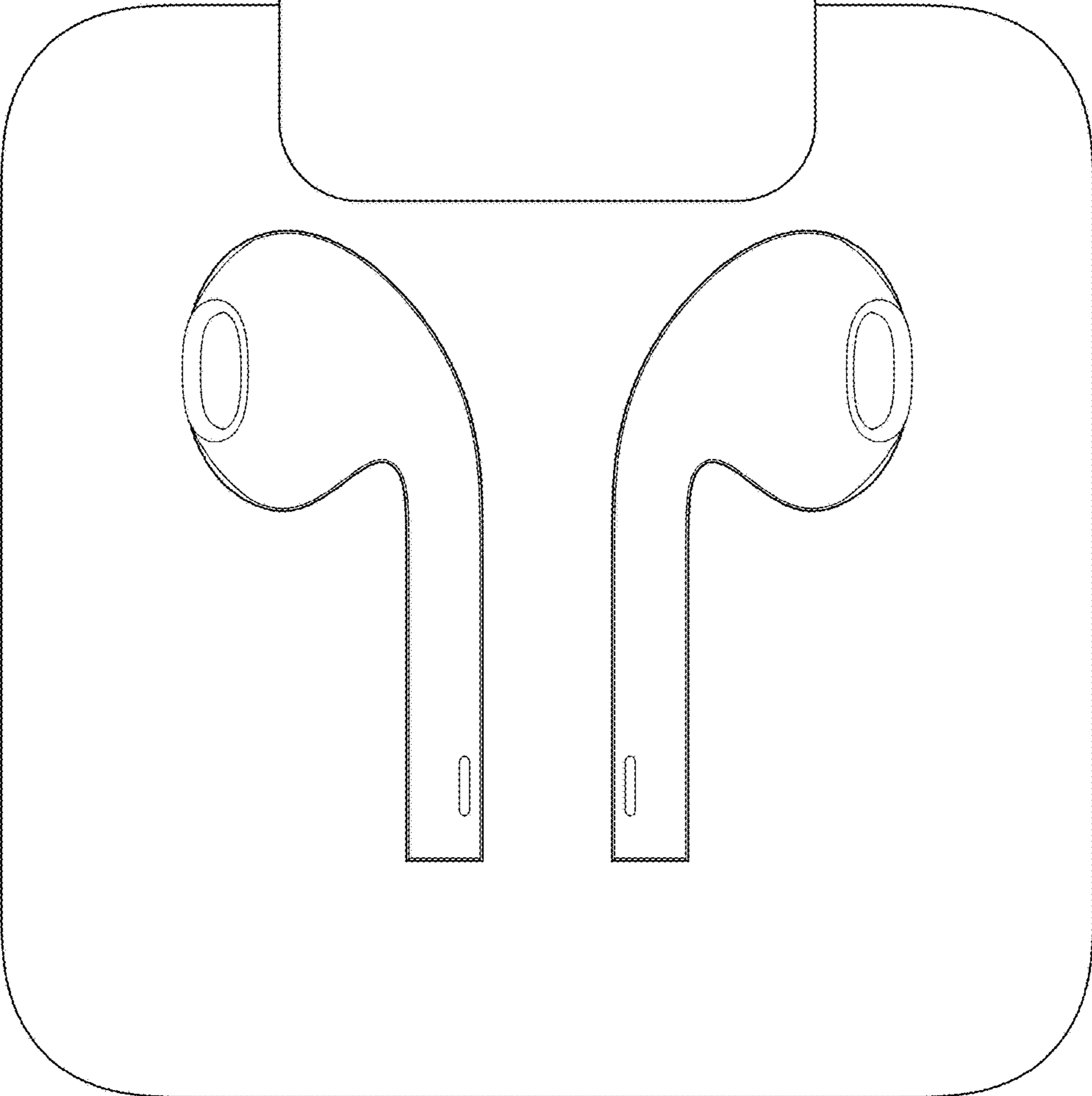


FIG. 2

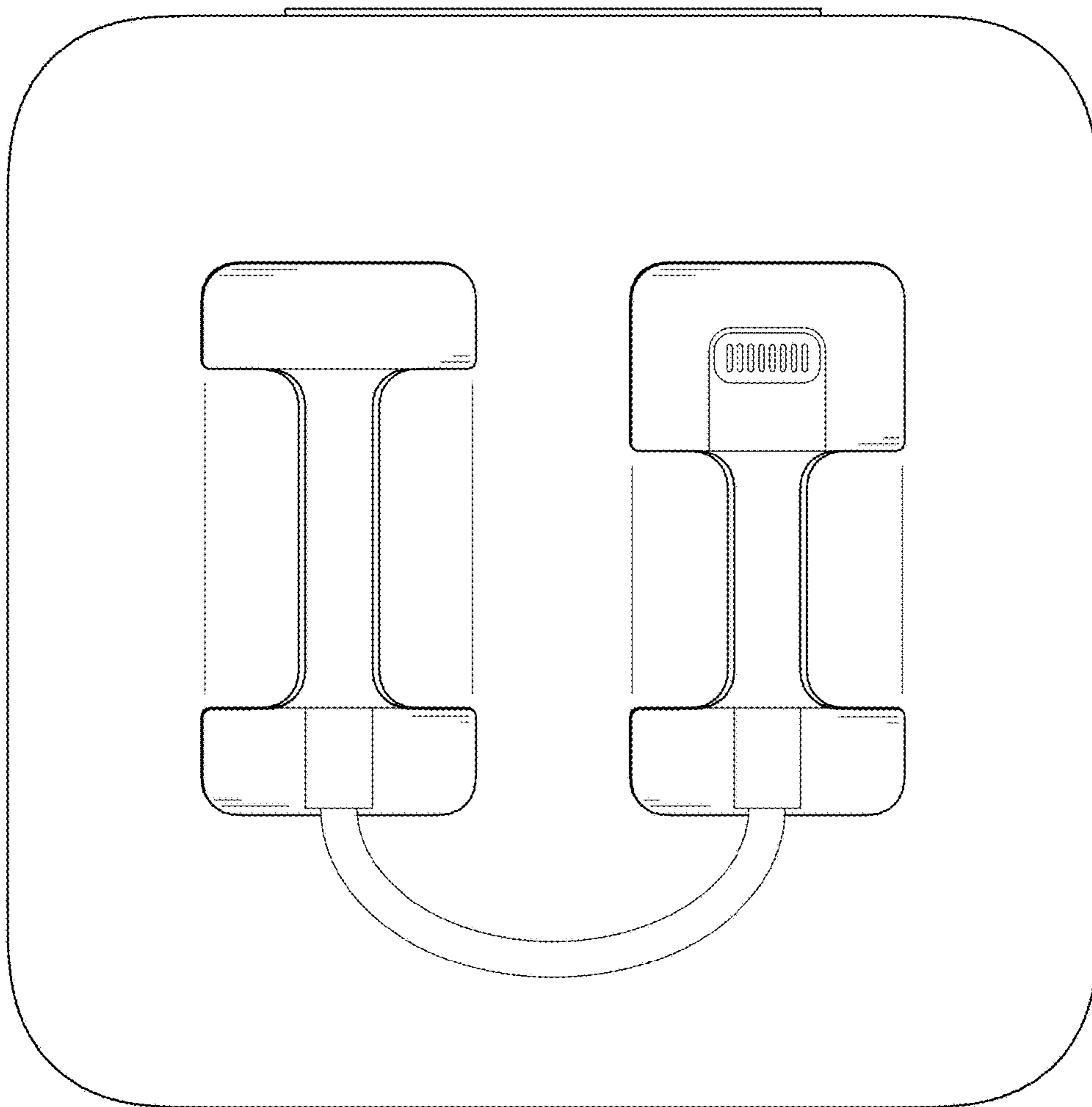


FIG. 3

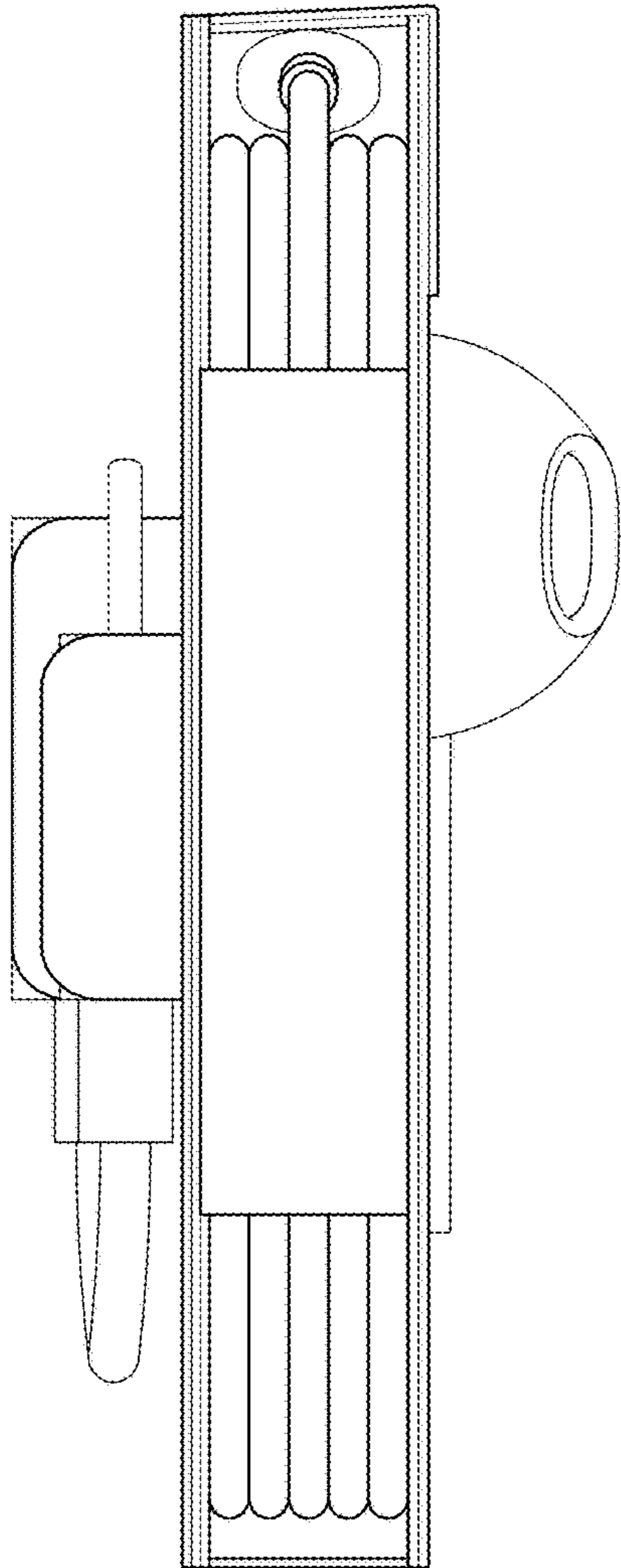


FIG. 4

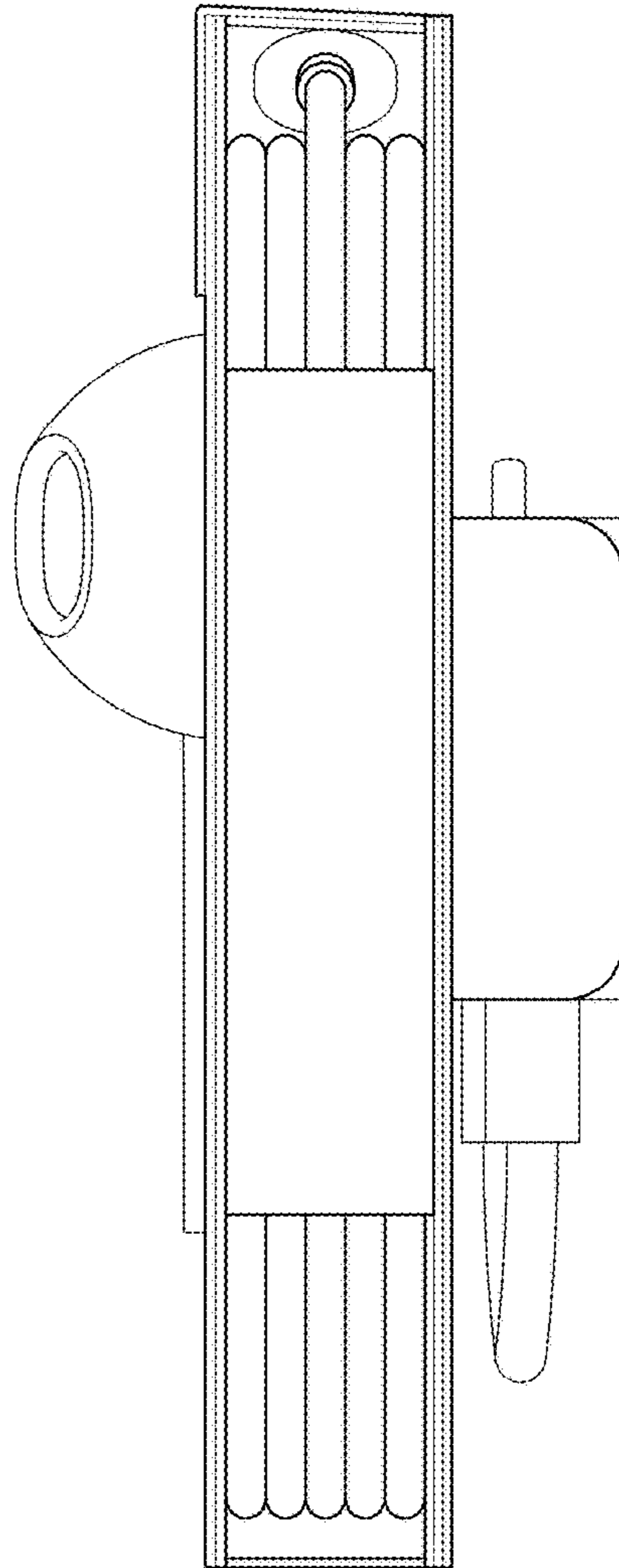


FIG. 5

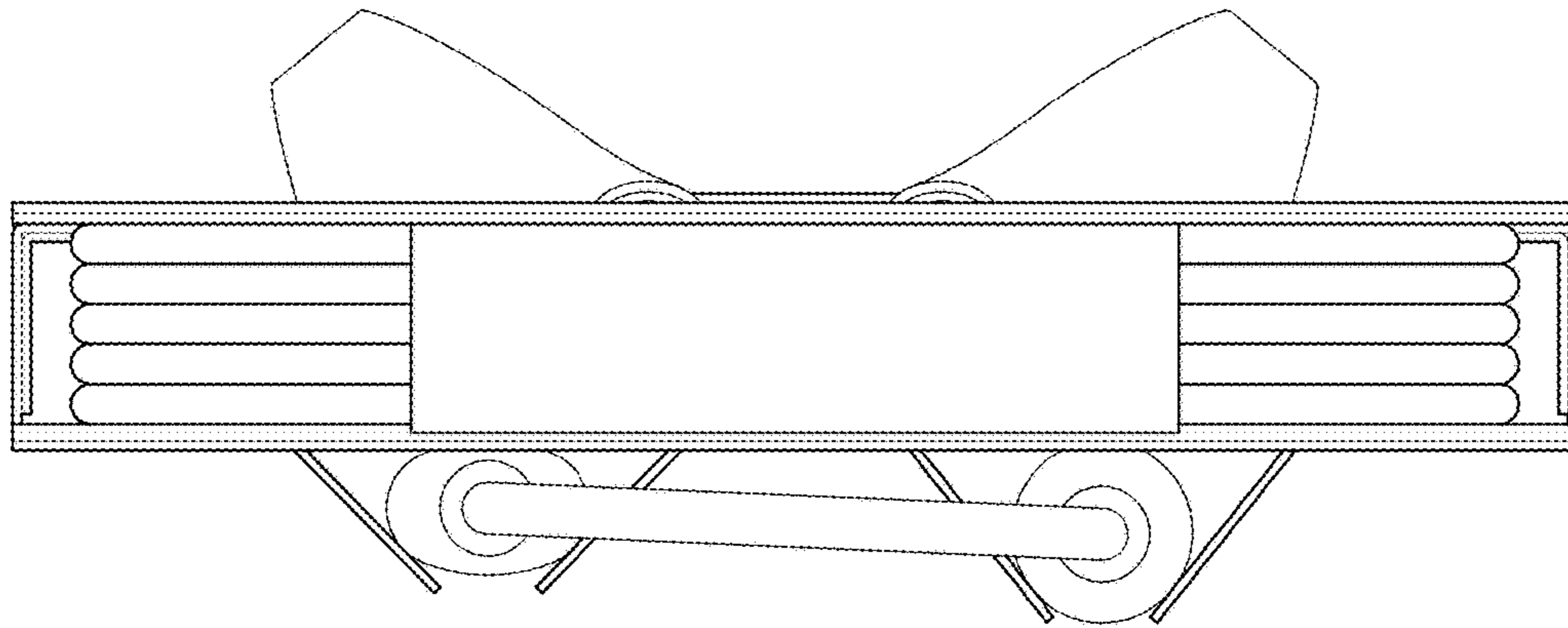


FIG. 6

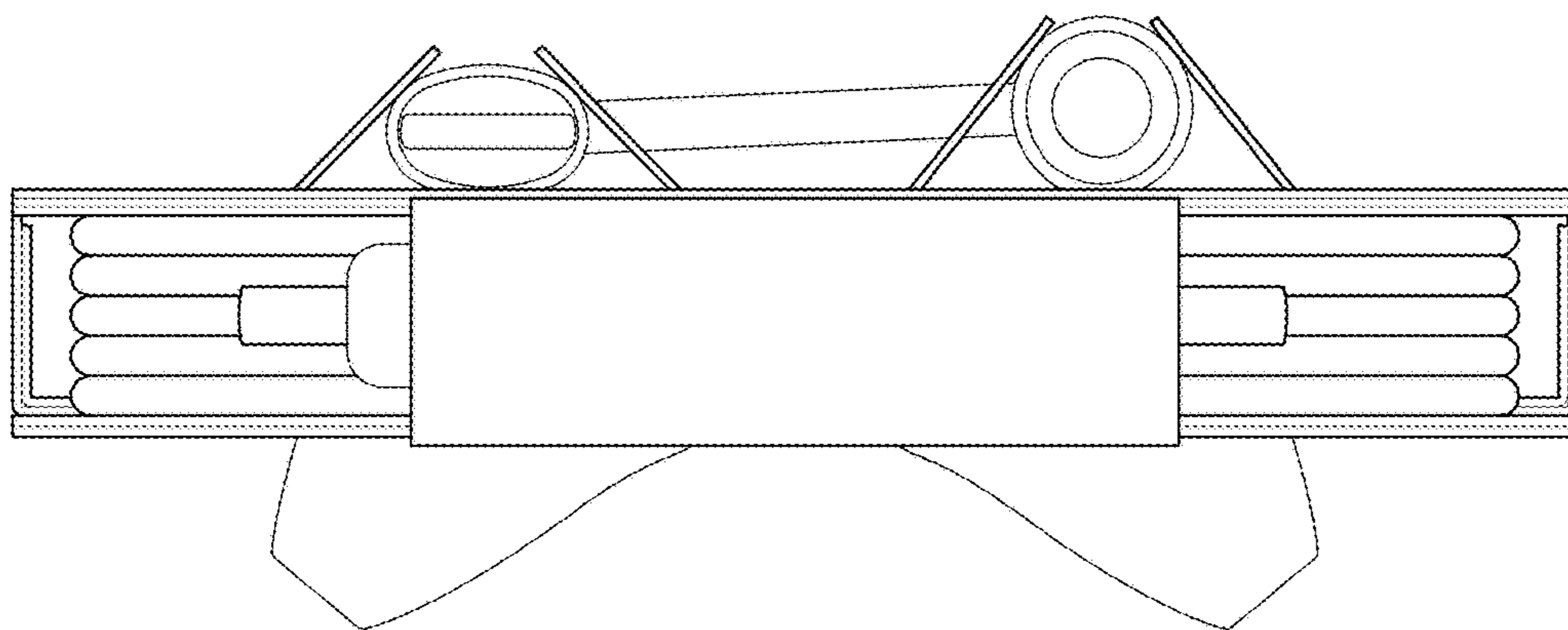


FIG. 7