



US00D833886S

(12) **United States Design Patent**
Fu

(10) **Patent No.:** **US D833,886 S**

(45) **Date of Patent:** **** Nov. 20, 2018**

(54) **POP-UP GARDEN CONTAINER**
(71) Applicant: **Zhiping Fu**, Zhejiang (CN)
(72) Inventor: **Zhiping Fu**, Zhejiang (CN)
(73) Assignee: **Zhejiang Kangleyou Leisure Products Co., Ltd.**, Quzhou (CN)

D632,864 S * 2/2011 Yang D34/9
D648,500 S * 11/2011 Haimoff D34/7
D707,413 S * 6/2014 Lin D34/1
D733,987 S * 7/2015 Coffin D34/9
D769,565 S * 10/2016 Chen D34/9
D769,566 S * 10/2016 Chen D34/9
D790,793 S * 6/2017 Tu D34/7

* cited by examiner

(**) Term: **15 Years**

Primary Examiner — Abraham Bahta

(21) Appl. No.: **29/618,364**

(22) Filed: **Sep. 20, 2017**

(57) **CLAIM**

(51) **LOC (11) Cl.** **09-05**

The ornamental design for a pop-up garden container, as shown and described.

(52) **U.S. Cl.**
USPC **D9/703**

(58) **Field of Classification Search**
USPC D34/1-11; 220/908, 908.1, 909, 911,
220/262, 263, 495.06; D9/702-714
CPC B65F 1/00; B65F 1/163; B65F 1/1646;
B65F 1/1623; B65F 1/1426; B65F 1/062;
B65F 1/006; B65D 90/10; B65D 43/26;
B65D 43/262; B60P 3/226
See application file for complete search history.

DESCRIPTION

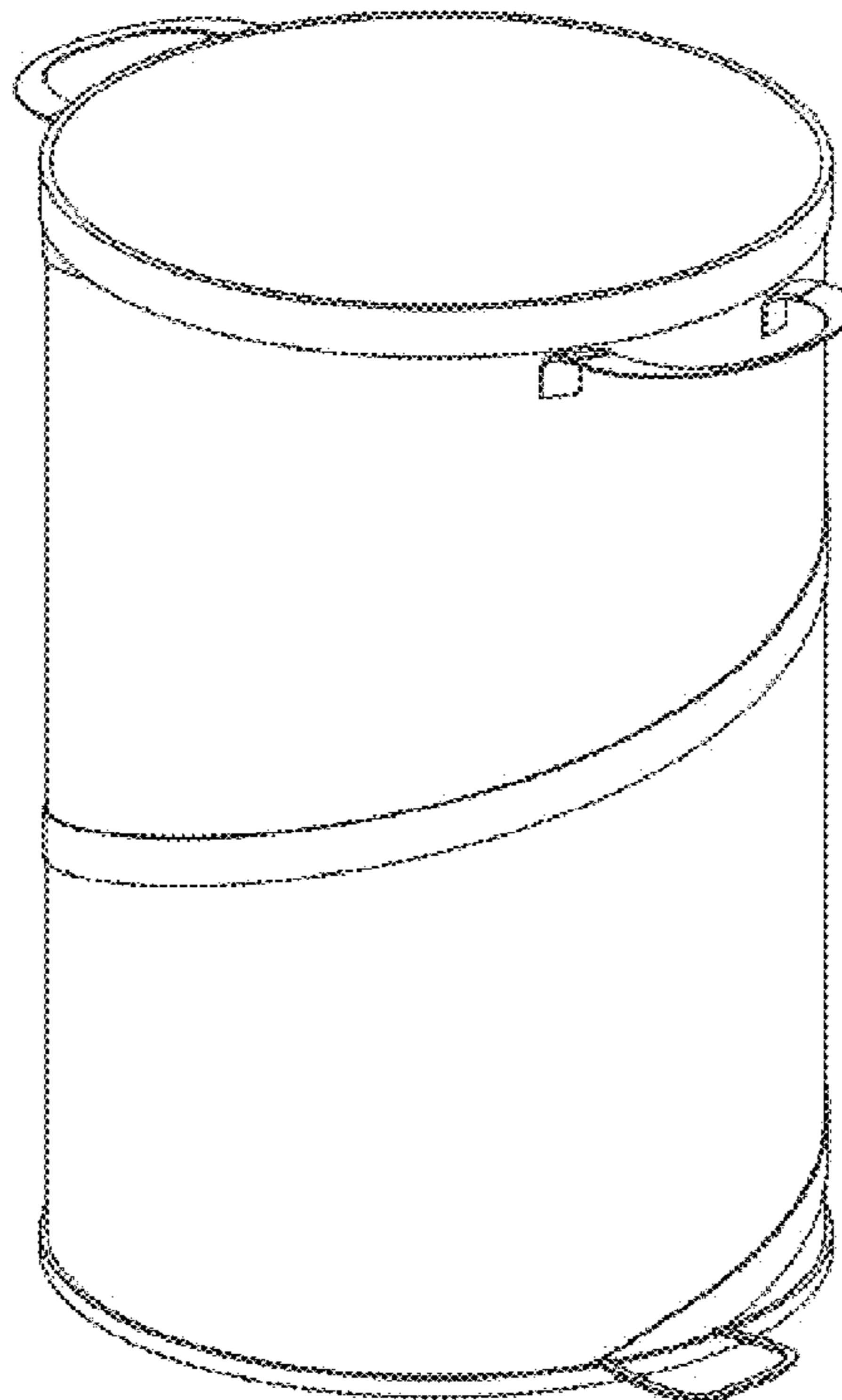
FIG. 1 is a perspective view of a pop-up garden container showing my new design;
FIG. 2 is a front elevational view thereof;
FIG. 3 is a rear elevational view thereof;
FIG. 4 is a right side view thereof;
FIG. 5 is a left side view thereof;
FIG. 6 is a bottom plan view thereof; and,
FIG. 7 is a top plan view thereof.

(56) **References Cited**

U.S. PATENT DOCUMENTS

D544,170 S * 6/2007 Lin D34/9
D586,069 S * 2/2009 Lin D34/9

1 Claim, 7 Drawing Sheets



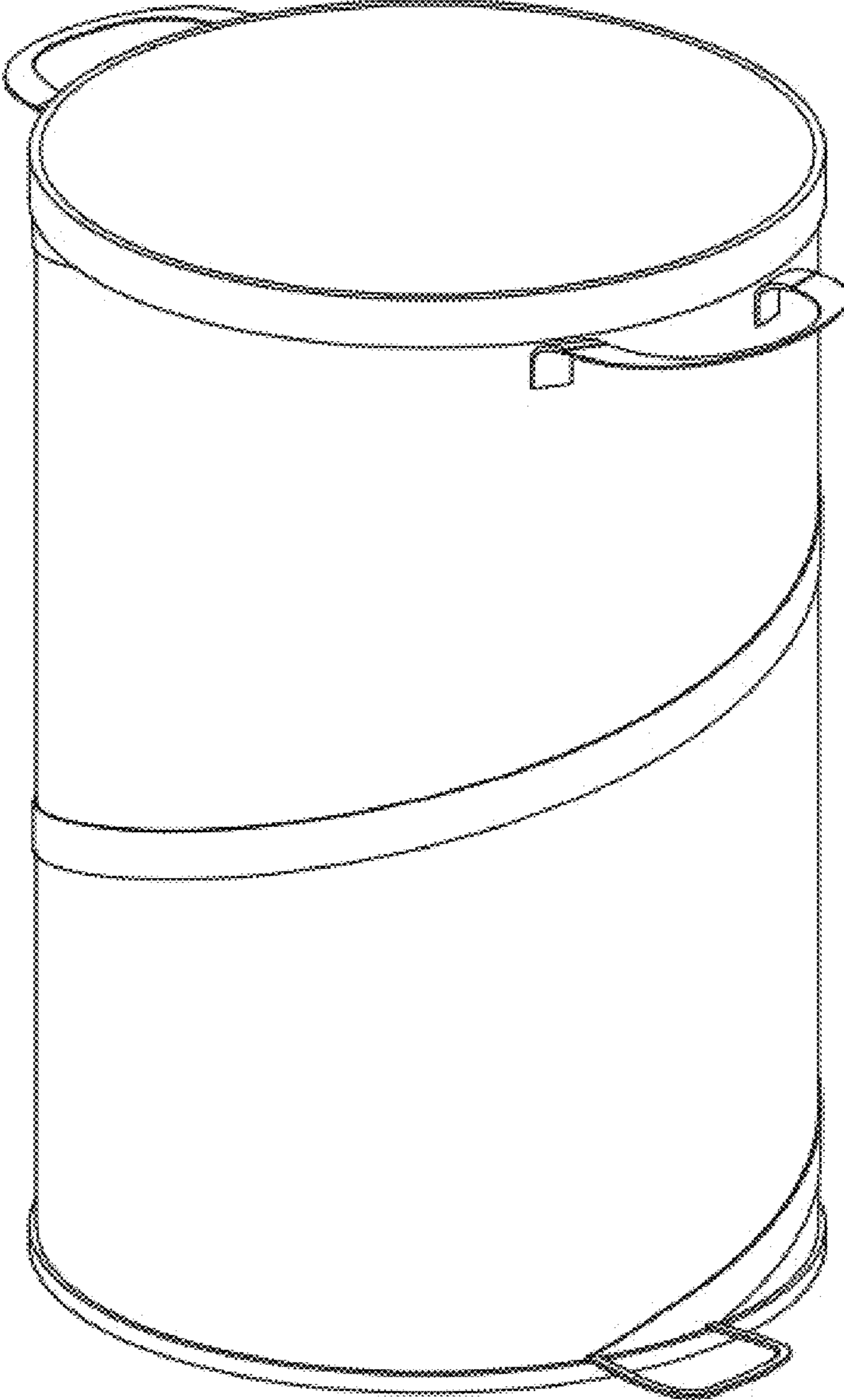


FIG. 1

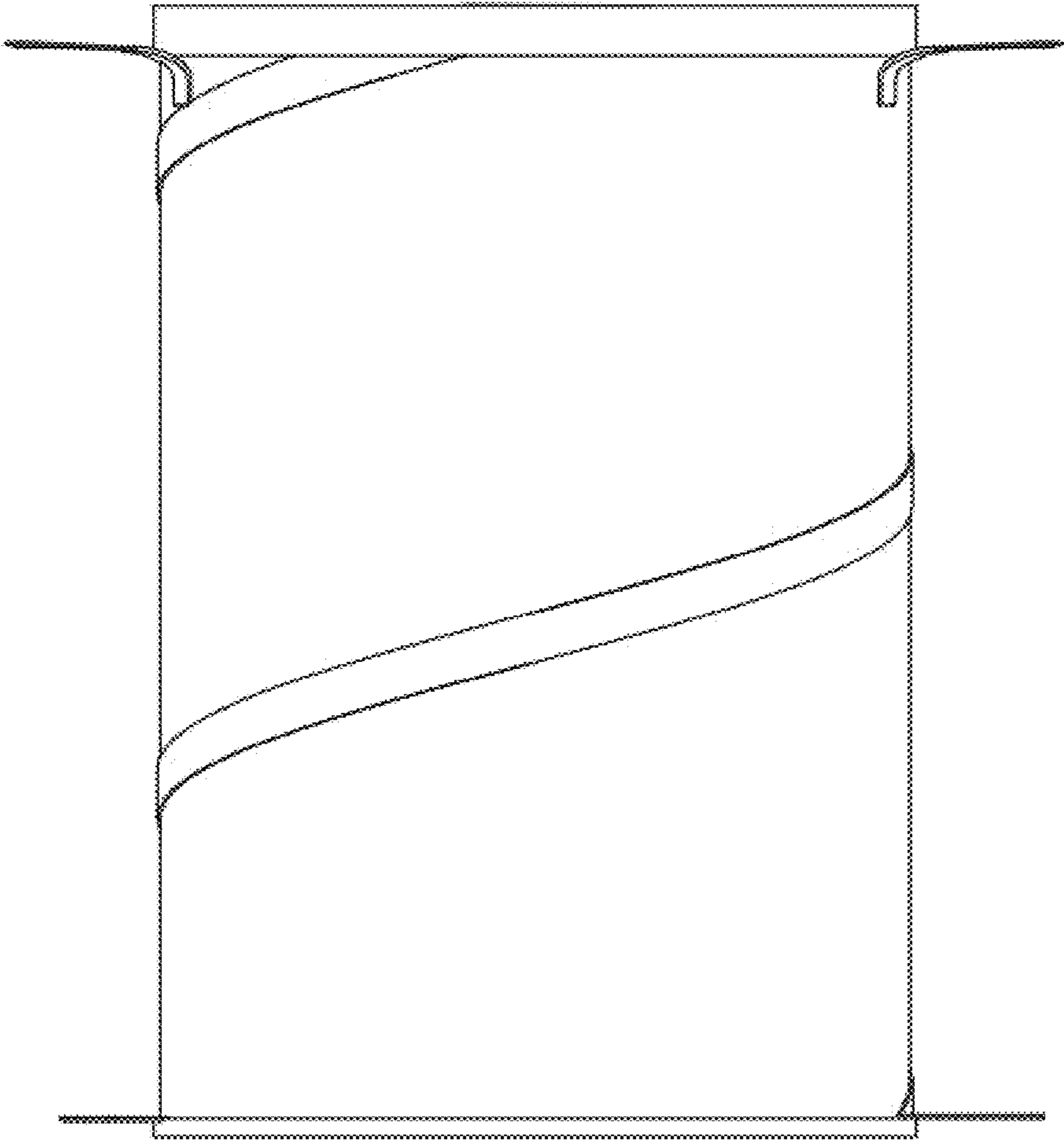


FIG. 2

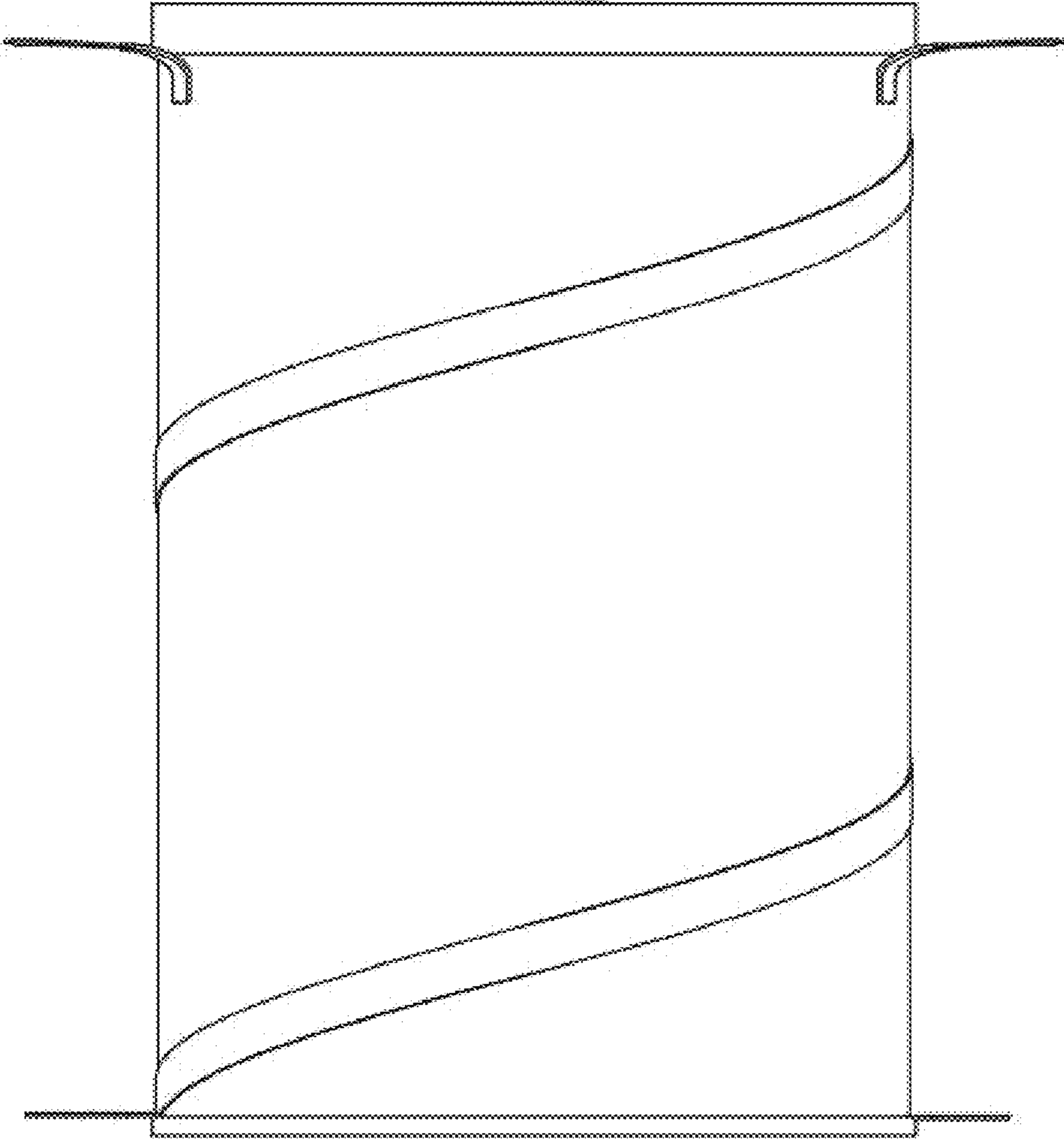


FIG. 3

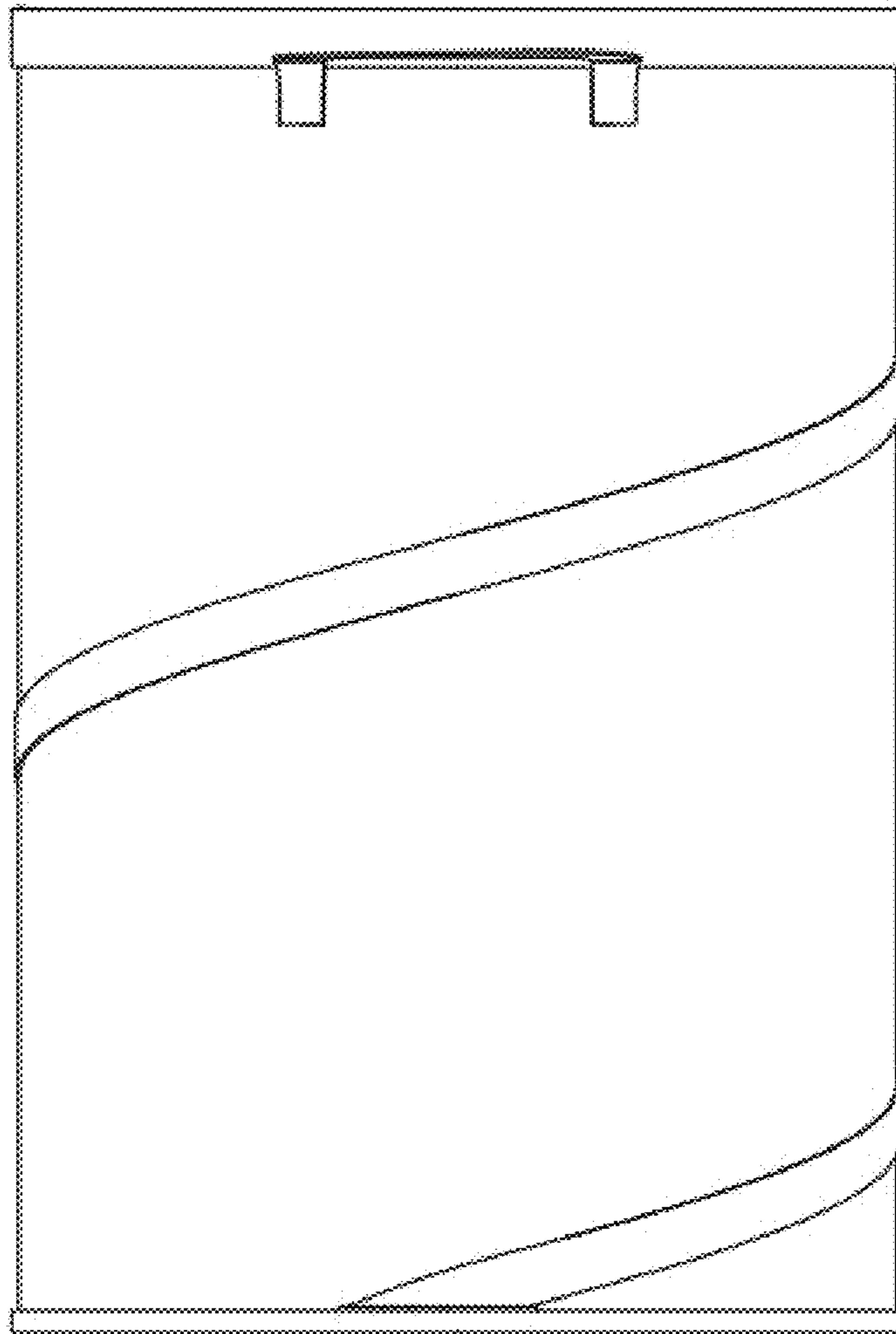


FIG. 4

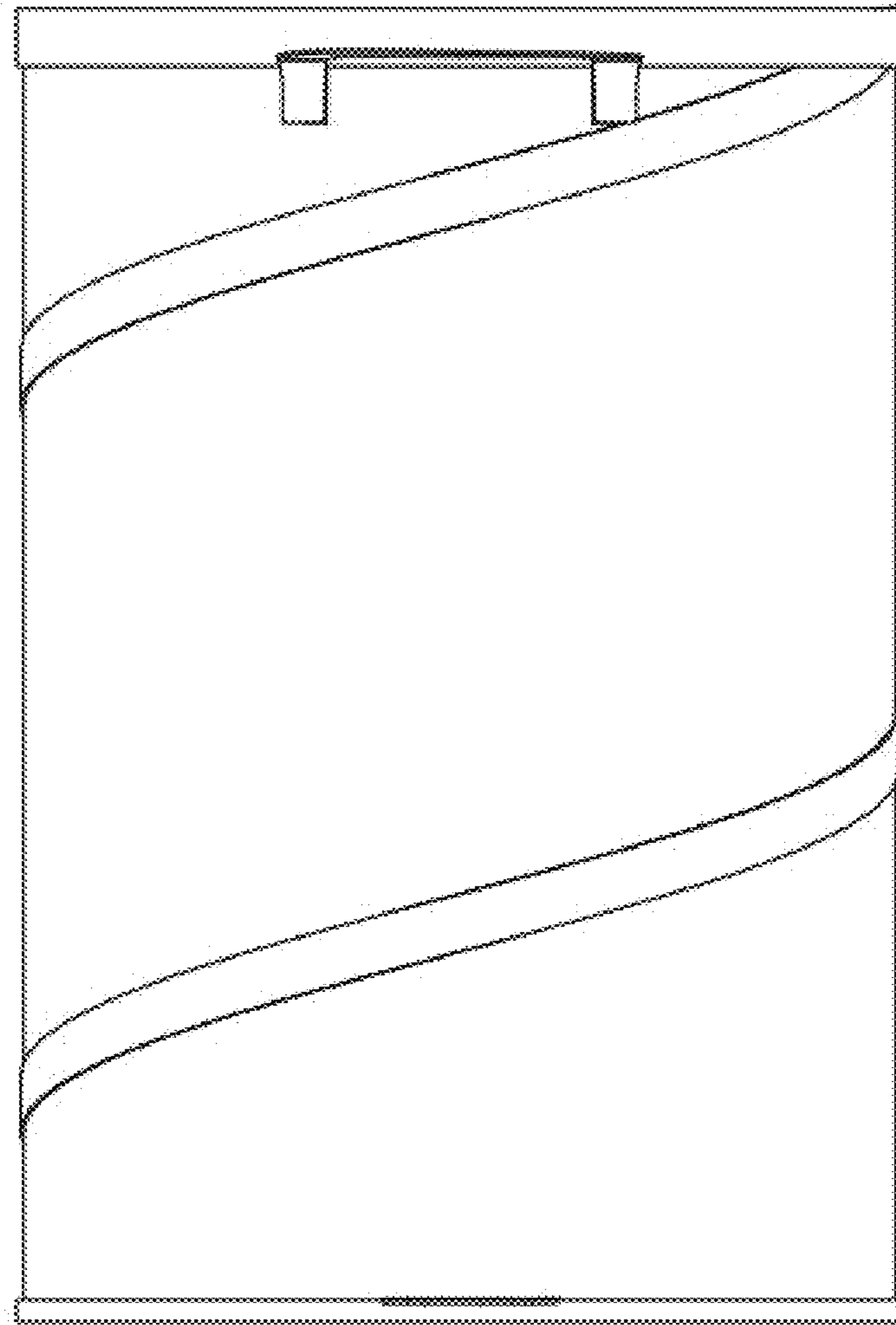


FIG. 5

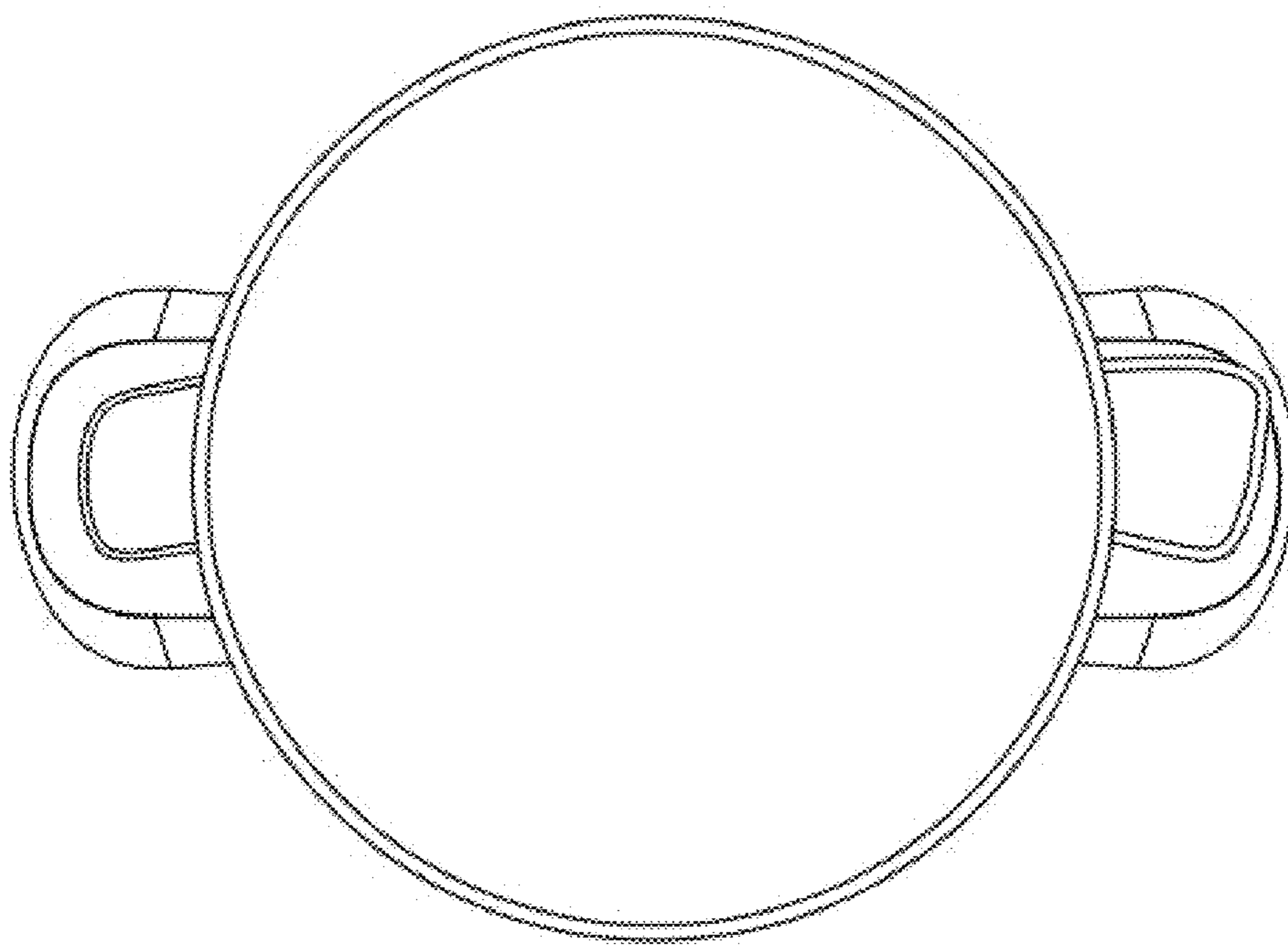


FIG. 6

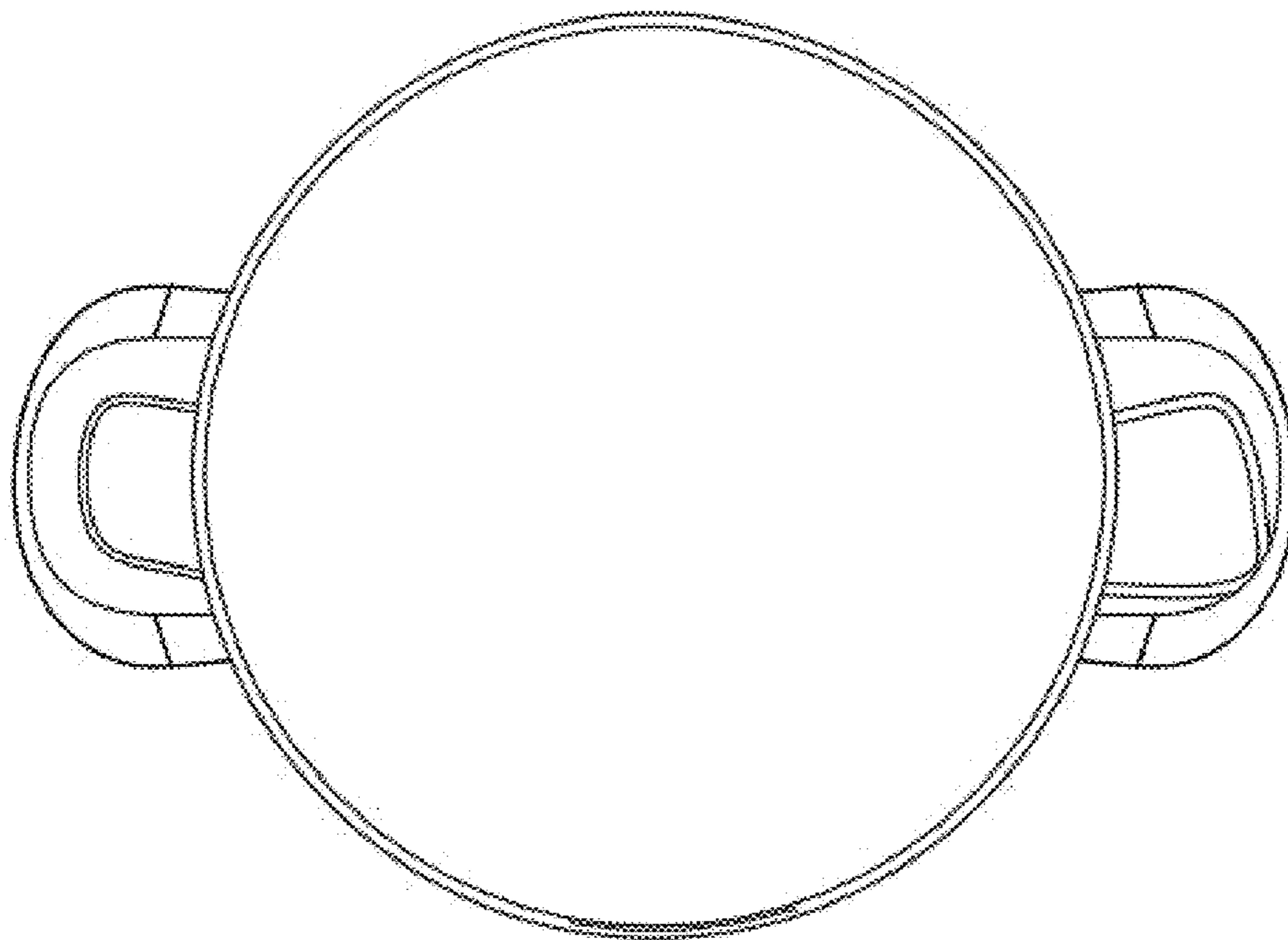


FIG. 7