



US00D833885S

(12) **United States Design Patent**  
**Montileone et al.**

(10) **Patent No.:** **US D833,885 S**

(45) **Date of Patent:** **\*\* Nov. 20, 2018**

(54) **CONTAINER WITH DETACHABLE BOTTOM AND DISPENSER**

1/165; B65D 1/20; A47K 5/12; A47K 5/1201; A47K 5/1202; A47K 5/1204; A47K 5/1205

(71) Applicants: **Karen Montileone**, St Louis, MO (US);  
**Steven Montileone**, St Louis, MO (US)

See application file for complete search history.

(72) Inventors: **Karen Montileone**, St Louis, MO (US);  
**Steven Montileone**, St Louis, MO (US)

(56) **References Cited**

U.S. PATENT DOCUMENTS

D98,976 S \* 3/1936 Bernhardt ..... D23/231  
D137,234 S \* 2/1944 Bury ..... D9/448  
(Continued)

(\*\*) Term: **15 Years**

FOREIGN PATENT DOCUMENTS

(21) Appl. No.: **29/590,351**

CA 2854929 A1 \* 6/2013 ..... B65D 83/38  
EP 0687639 A1 \* 12/1995 ..... B65D 83/32  
(Continued)

(22) Filed: **Jan. 10, 2017**

(51) **LOC (11) Cl.** ..... **09-01**

(52) **U.S. Cl.**  
USPC ..... **D9/692**; D9/448

*Primary Examiner* — Catherine A Tuttle

(74) *Attorney, Agent, or Firm* — Cramer Patent & Design, PLLC; Aaron R. Cramer

(58) **Field of Classification Search**  
USPC ..... D9/682–684, 715, 718, 719, 737, 738,  
D9/739, 741–747, 723–725, 763,  
D9/772–781, 500–505, 516, 517,  
D9/544–547, 549–558, 434–436, 440,  
D9/447–450, 900; D32/40–42, 45, 46;  
D6/542

(57) **CLAIM**

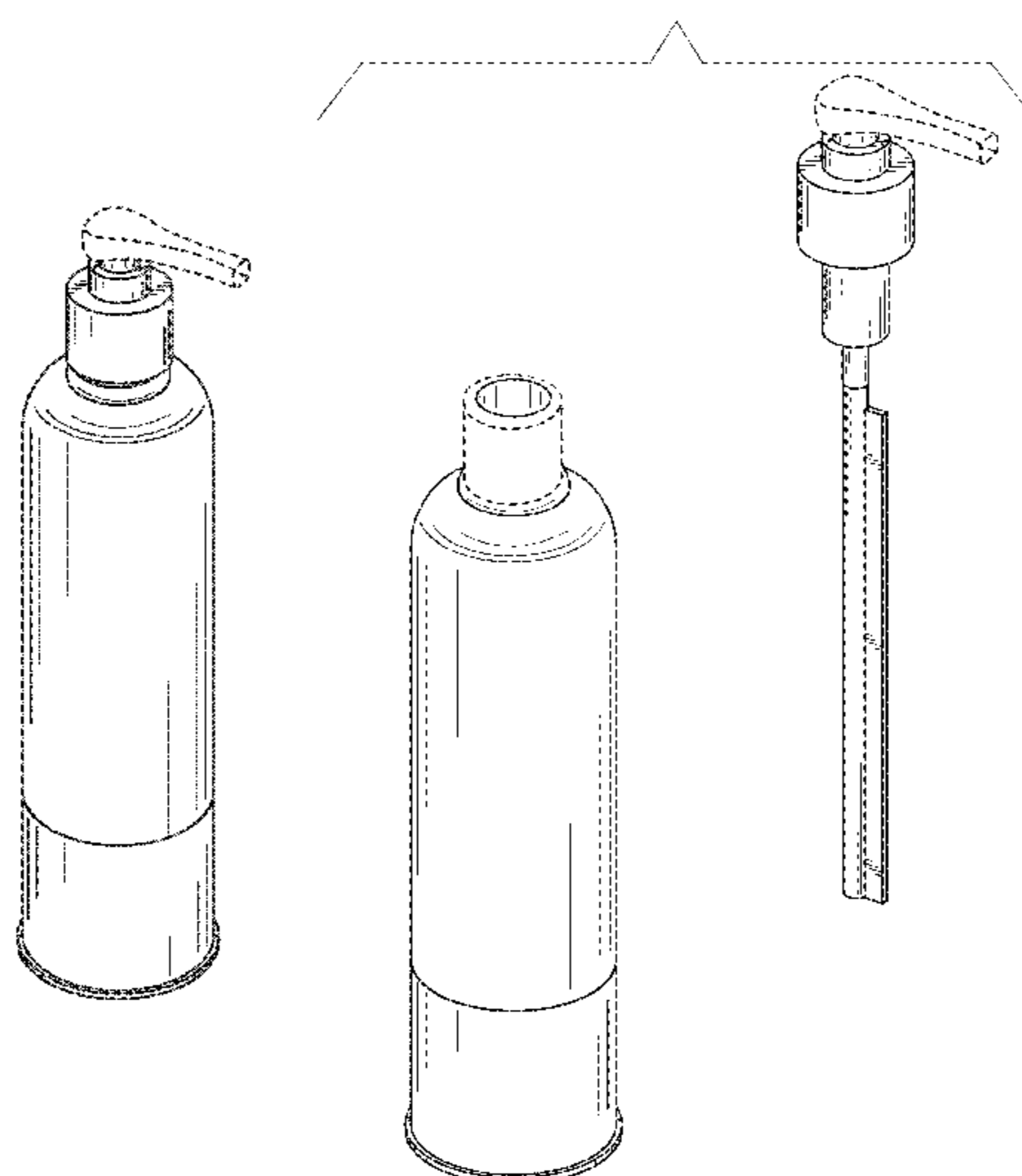
The ornamental design for a container with a detachable bottom and dispenser, as shown and described.

CPC ... B05B 11/001; B05B 11/0008; B05B 11/30;  
B05B 11/3012; B05B 11/3014; B05B 11/3043;  
B05B 11/3045; B05B 11/3046; B05B 11/3047;  
B05B 11/0037; B05B 11/0056; B05B 11/0078;  
B05B 11/0081; B05B 11/0086; B05B 11/0089;  
B05B 11/0097; B05B 15/20; B05B 15/30; B05B 15/33;  
B05B 15/37; B05B 15/50; B65D 81/3205;  
B65D 81/3211; B65D 81/325; B65D 81/3255;  
B65D 83/14; B65D 83/36; B65D 83/38; B65D 83/40;  
B65D 83/68; B65D 83/75; B65D 83/752; B65D 83/753;  
B65D 83/7532; B65D 83/0005; B65D 83/28;  
B65D 83/285; B65D 83/32; B65D 83/34;  
B65D 83/345; B65D 83/42; B65D 2231/00;  
B65D 2231/005; B65D 1/0261; B65D 1/04;  
B65D 1/06; B65D 1/12; B65D 1/14; B65D 1/16; B65D

**DESCRIPTION**

FIG. 1 is an assembled top, front and side view of a container with a detachable bottom and dispenser, showing our new design;  
FIG. 2 is a disassembled top, front side perspective view thereof;  
FIG. 3 is a front elevation view thereof;  
FIG. 4 is a rear elevation view thereof;  
FIG. 5 is a left side elevation view thereof;  
FIG. 6 is a right side elevation view thereof;  
FIG. 7 is a top plan view thereof; and,  
FIG. 8 is a bottom plan view thereof.  
The broken lines are used to indicate portions of the container with a detachable bottom and dispenser that form no part of the claimed design.

**1 Claim, 7 Drawing Sheets**



(56)

References Cited

U.S. PATENT DOCUMENTS

D225,617 S \* 12/1972 Hanamura ..... D9/503  
 3,785,537 A \* 1/1974 Appleby ..... B05B 11/0078  
 222/382  
 4,463,860 A \* 8/1984 Yoshino ..... B65D 23/001  
 215/372  
 D279,166 S \* 6/1985 Tada ..... D9/692  
 4,893,730 A \* 1/1990 Bolduc ..... B65D 81/3222  
 169/83  
 D306,702 S \* 3/1990 Turner ..... D9/448  
 5,199,615 A \* 4/1993 Downing ..... B65D 83/38  
 137/852  
 D338,616 S \* 8/1993 MacDonald ..... D9/448  
 D347,136 S \* 5/1994 Costa ..... D29/126  
 D376,979 S 12/1996 Davidson, III  
 D399,420 S \* 10/1998 Holliday ..... D9/718  
 D400,788 S \* 11/1998 Lin ..... D9/718  
 6,041,974 A \* 3/2000 Poitras ..... A47K 5/12  
 222/173  
 6,250,511 B1 \* 6/2001 Kelly ..... B01F 1/0022  
 15/104.93  
 D490,321 S \* 5/2004 Durant ..... D9/500  
 D649,461 S \* 11/2011 Harrison ..... D9/500  
 8,186,391 B2 5/2012 Wilson  
 D676,760 S \* 2/2013 Baranowski ..... D9/685  
 9,730,502 B2 \* 8/2017 Naura ..... A45D 40/265  
 D807,177 S \* 1/2018 Belinsky ..... D9/500

2001/0032864 A1\* 10/2001 Shepherd ..... B05B 11/0037  
 222/321.5  
 2002/0162863 A1\* 11/2002 Brincat ..... B65D 1/06  
 222/568  
 2005/0092777 A1\* 5/2005 Wu ..... B05B 15/30  
 222/382  
 2009/0242588 A1\* 10/2009 Olson ..... B05B 11/0056  
 222/331  
 2011/0005963 A1\* 1/2011 Mapalo ..... A01K 13/001  
 206/581  
 2011/0011823 A1 1/2011 Moore  
 2011/0076362 A1 3/2011 Holtrop  
 2011/0309083 A1 12/2011 Charlene  
 2012/0024910 A1\* 2/2012 Kim ..... B05B 15/30  
 222/382  
 2012/0175382 A1 7/2012 McAuley-Davis et al.  
 2013/0037557 A1 2/2013 Ting  
 2013/0098944 A1 4/2013 Broadney  
 2014/0332024 A1\* 11/2014 Finney ..... A45D 34/06  
 132/200  
 2015/0321209 A1\* 11/2015 Brickler ..... A45D 34/00  
 222/382

FOREIGN PATENT DOCUMENTS

FR 2816287 A1 \* 5/2002 ..... B65D 21/0228  
 JP H0728060 U \* 5/1995 ..... B05B 15/30  
 JP 3667826 B2 \* 7/2005 ..... B05B 11/0043

\* cited by examiner

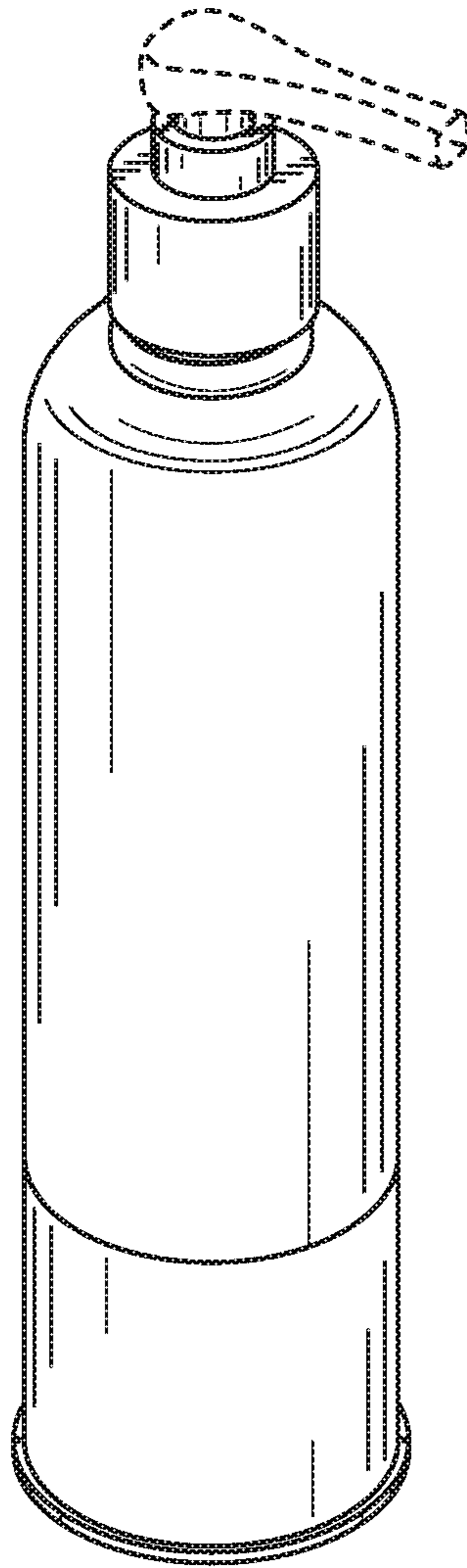


FIG. 1

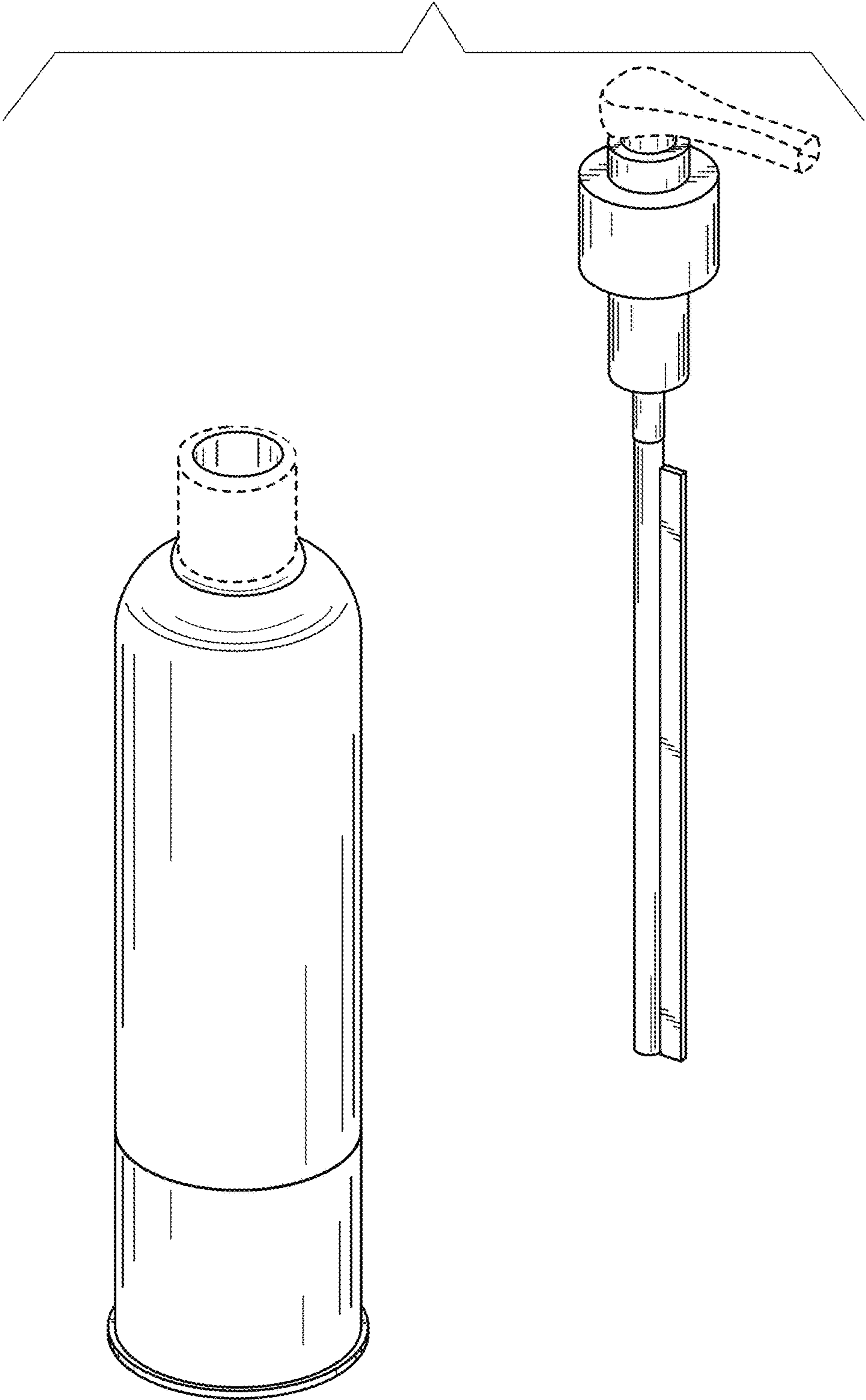


FIG. 2

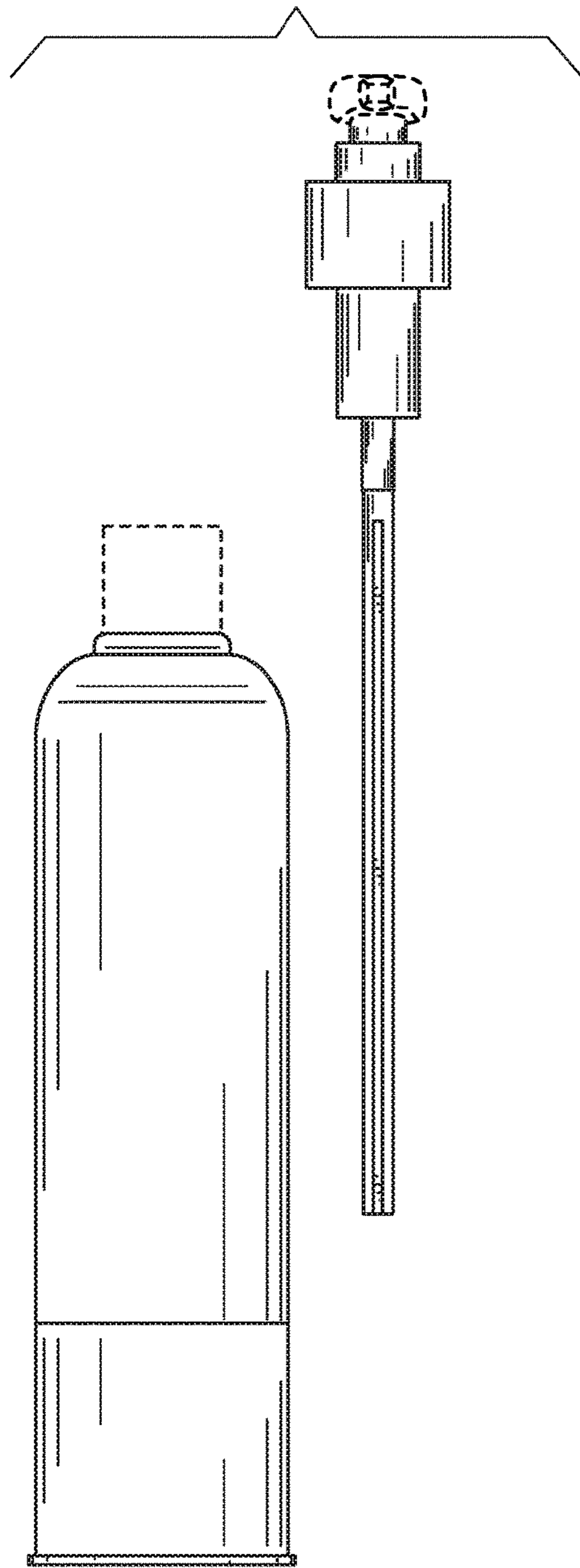


FIG. 3

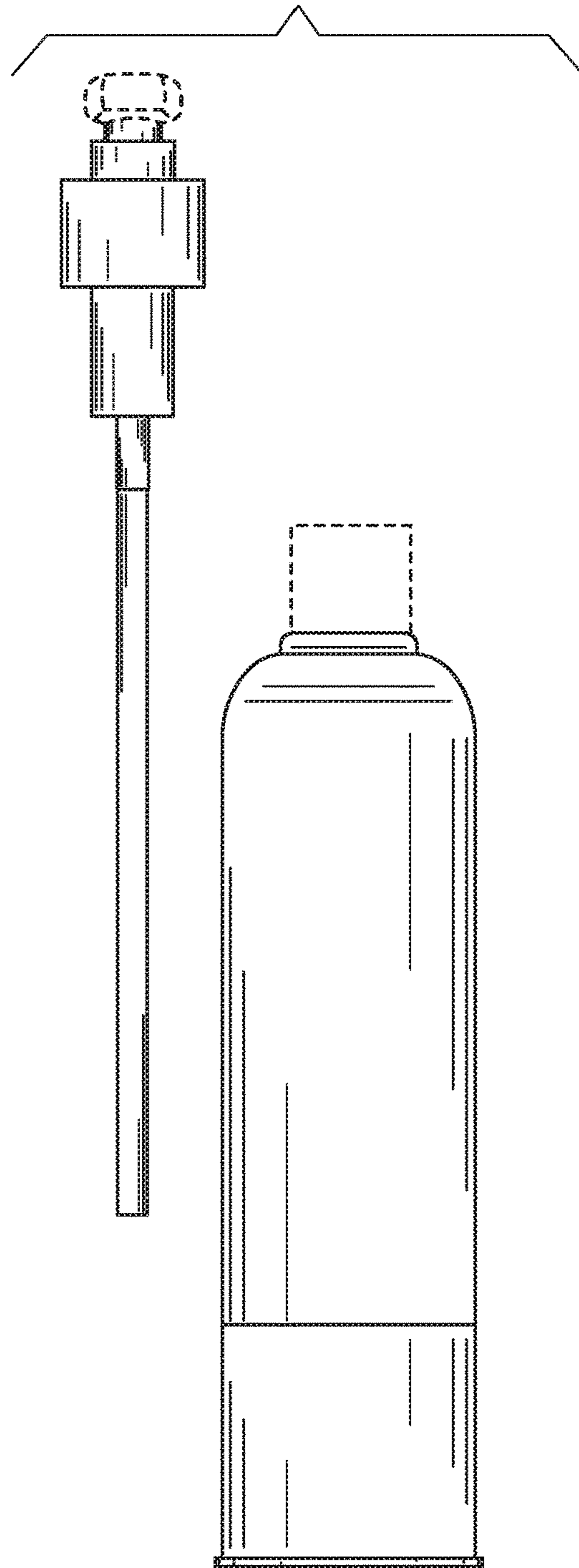


FIG. 4

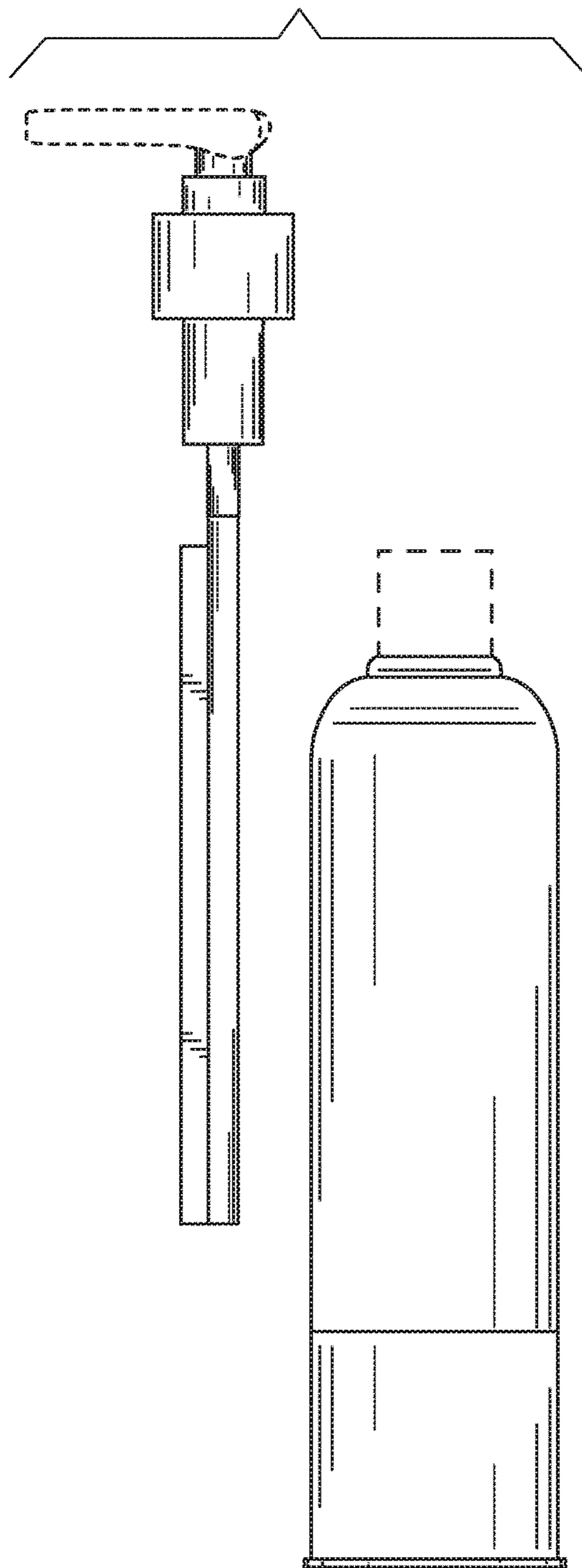


FIG. 5

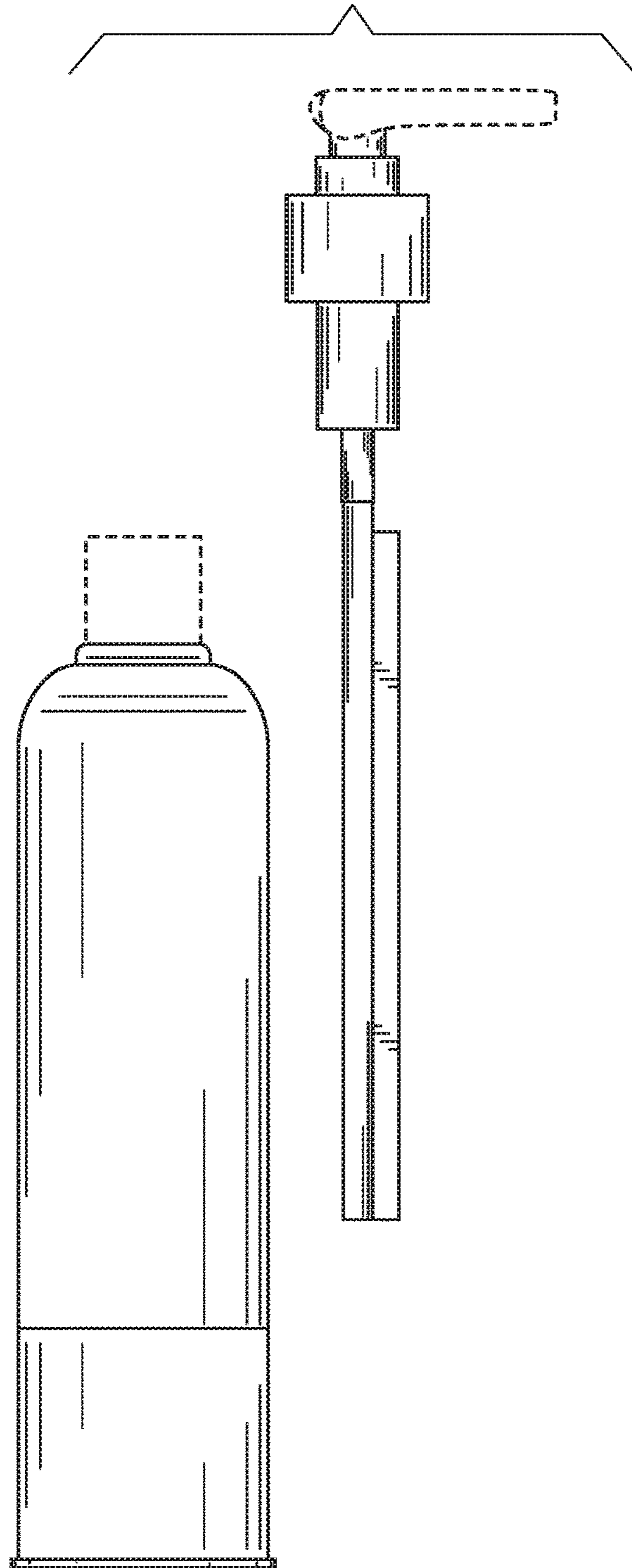


FIG. 6



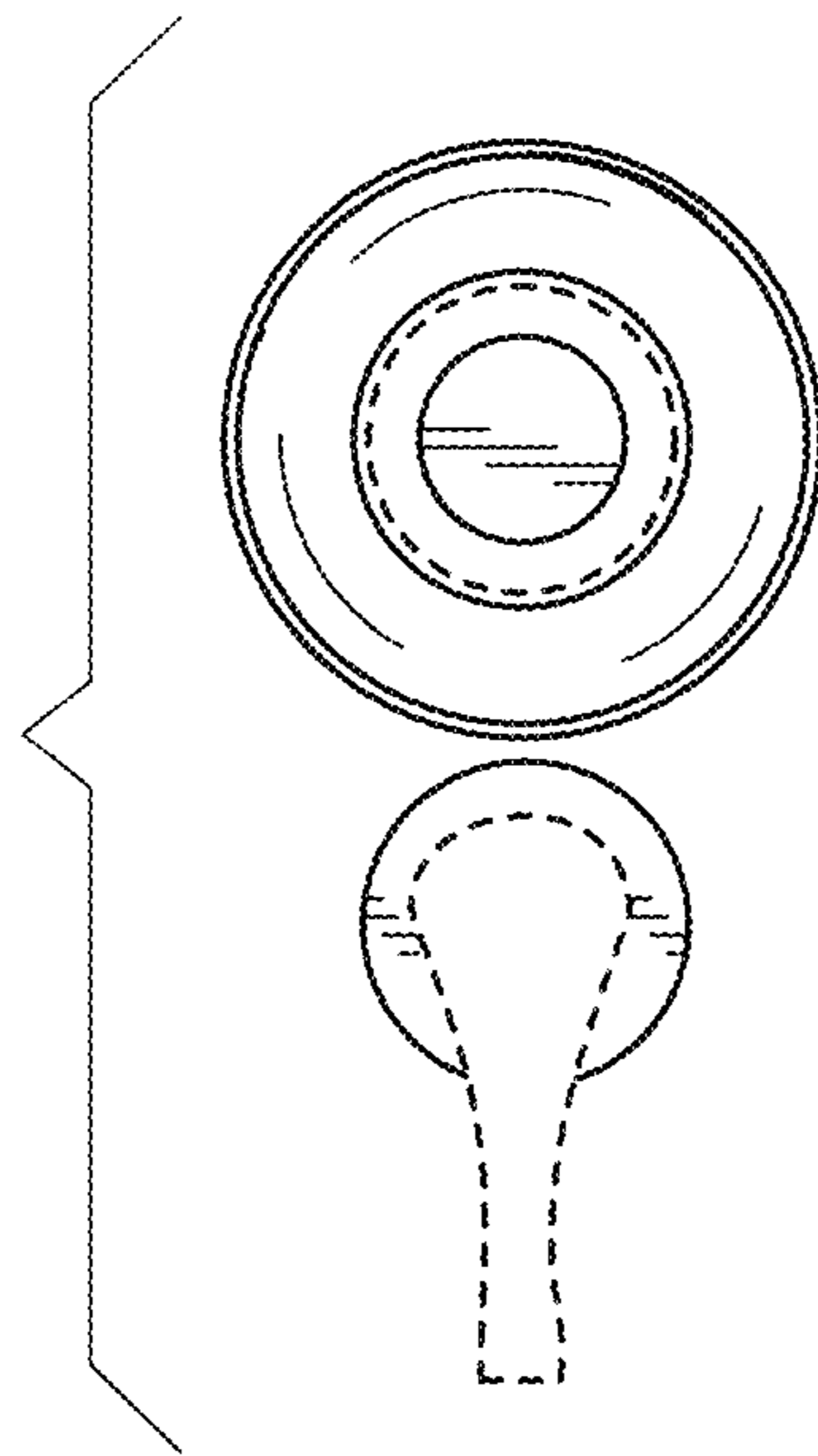


FIG. 7

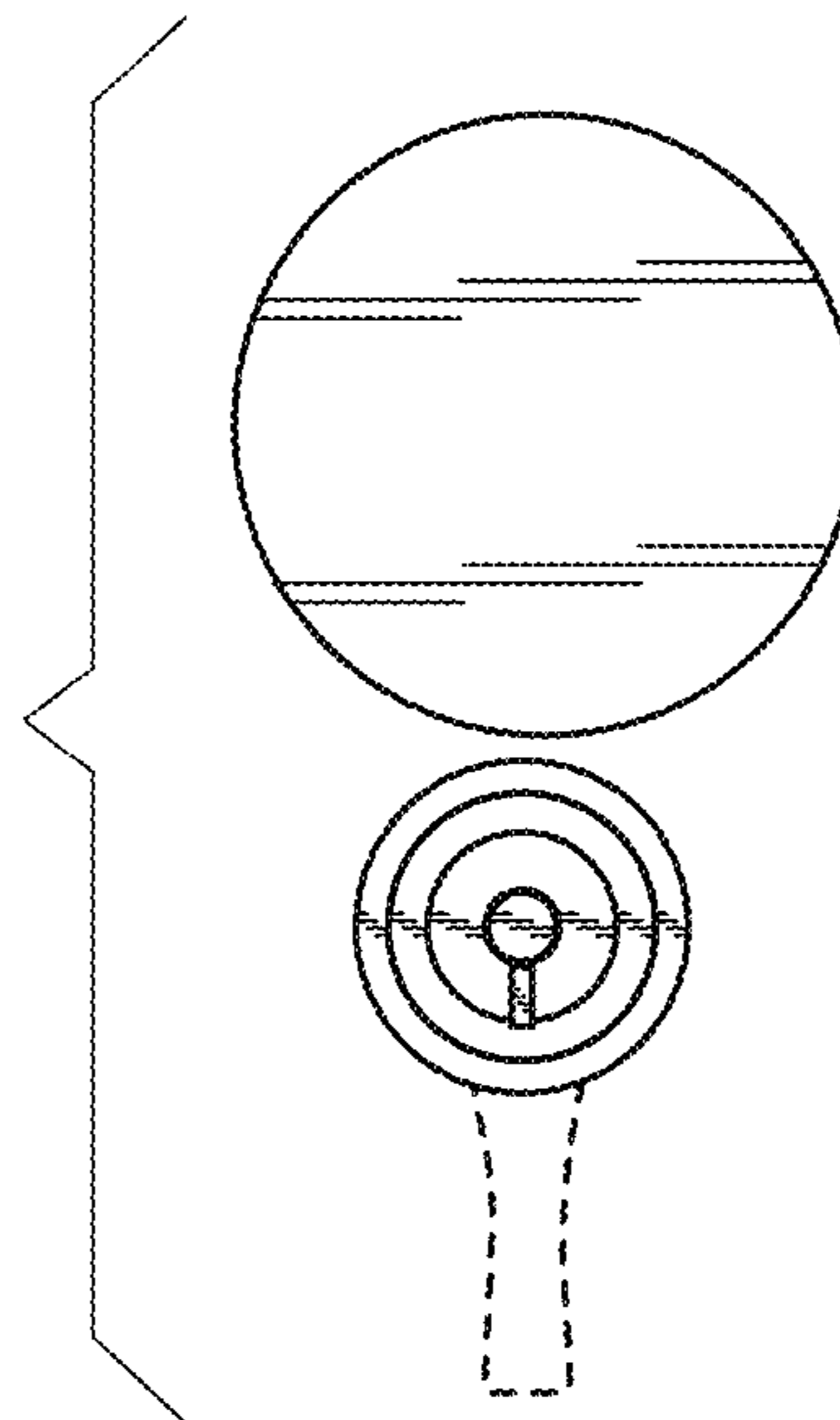


FIG. 8