



US00D833877S

(12) **United States Design Patent** (10) **Patent No.:** **US D833,877 S**
Campbell et al. (45) **Date of Patent:** **** Nov. 20, 2018**

(54) **SURFACE FINISH REPAIR DISPENSER**
(71) Applicant: **RPM Wood Finishes Group, Inc.**,
Hickory, NC (US)
(72) Inventors: **Colin Campbell**, Charlotte, NC (US);
Robert Soreo, Cleveland Heights, OH
(US)
(73) Assignee: **RPM Wood Finishes Group, Inc.**,
Hickory, NC (US)

D397,608 S * 9/1998 Fiore D9/520
D408,148 S * 4/1999 Frost D4/114
D419,776 S * 2/2000 Frost D4/114
D448,996 S * 10/2001 Nixon, III D9/503
D455,962 S * 4/2002 Nixon, III D9/503
D464,564 S * 10/2002 Wilson D9/556
D487,637 S * 3/2004 Price D4/114
D504,775 S * 5/2005 Frazier D4/114
D543,703 S * 6/2007 Hsieh D4/114
D544,212 S * 6/2007 Hsieh D4/114

(Continued)

(**) Term: **15 Years**

(21) Appl. No.: **29/584,102**

(22) Filed: **Nov. 11, 2016**

(51) **LOC (11) Cl.** **09-01**

(52) **U.S. Cl.**
USPC **D9/521**

(58) **Field of Classification Search**
USPC D9/516, 519, 520, 521, 527, 528, 529,
D9/530, 531, 533, 540, 542, 544, 550,
D9/553, 556, 557, 558, 559, 563, 564,
D9/565, 566, 567, 545, 536, 537, 538,
D9/539, 541, 543, 522, 115; D3/202,
D3/203.1, 205; D4/114; D6/515, 542;
D7/300, 300.1, 598

CPC B65D 2501/0009; B65D 2501/00; B65D
23/00; B65D 1/0223; B65D 1/00; B65D
1/02

See application file for complete search history.

(56) **References Cited**

U.S. PATENT DOCUMENTS

D158,114 S * 4/1950 Marsh D19/125
D286,468 S * 11/1986 Fuchs D4/114
D286,505 S * 11/1986 Okada D3/20
D363,307 S * 10/1995 Shikuwa D19/186
D366,151 S * 1/1996 Norris D4/114
D392,465 S * 3/1998 Mark D24/152
D394,331 S * 5/1998 Price D28/63

OTHER PUBLICATIONS

“Repair Marker,” available Dec. 1, 2017, [online], [site visited Mar. 3, 2018]. Available from Internet, URL: <http://www.mohawkconsumerproducts.com/blog/2017/12/1/3-in-1-repair-stick-family/> (Year: 2017).*

(Continued)

Primary Examiner — Cathron C Brooks
Assistant Examiner — Katrina N Gonzalez
(74) *Attorney, Agent, or Firm* — Rankin, Hill & Clark
LLP

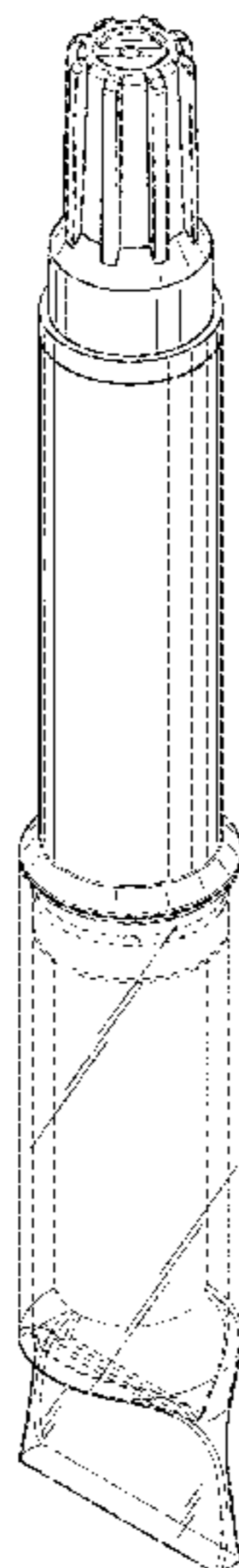
(57) **CLAIM**

The ornamental design for a surface finish repair dispenser, as shown and described.

DESCRIPTION

FIG. 1 is a perspective view of a surface finish repair dispenser;
FIG. 2 is a front elevation view thereof;
FIG. 3 is a rear elevation view thereof;
FIG. 4 is a right side elevation view thereof;
FIG. 5 is a left side elevation view thereof;
FIG. 6 is a top plan view thereof; and,
FIG. 7 is a bottom plan view thereof.
The broken lines in the drawings depict portions of the surface finish repair dispenser that form no part of the claimed design.

1 Claim, 6 Drawing Sheets



(56)

References Cited

U.S. PATENT DOCUMENTS

D562,561 S * 2/2008 Thorpe D4/108
D656,831 S * 4/2012 Thorpe D9/521
D760,490 S * 7/2016 Johnson D24/224
D771,956 S * 11/2016 Hauger D4/114
D774,310 S * 12/2016 Hauger D4/114
D780,461 S * 3/2017 Metaxatos A45D 34/041
D4/114
D780,909 S * 3/2017 Burkett D24/113
D789,451 S * 6/2017 Guan D19/117
D793,144 S * 8/2017 Rossi D7/300
D793,547 S * 8/2017 Burkett D24/112

OTHER PUBLICATIONS

“Ikea Paint Mohawk 3-in-1 Repair Kit The Heathered Nest,”
available Sep. 11, 2017, [online], [site visited Mar. 3, 2018].
Available from Internet, URL:<https://heatherednest.com/ikea-paint-repair-kit/> (Year: 2017).*

* cited by examiner

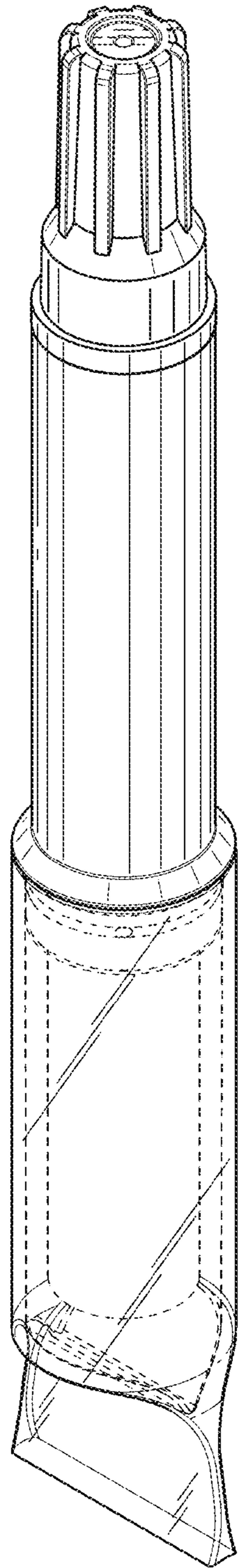


FIG. 1

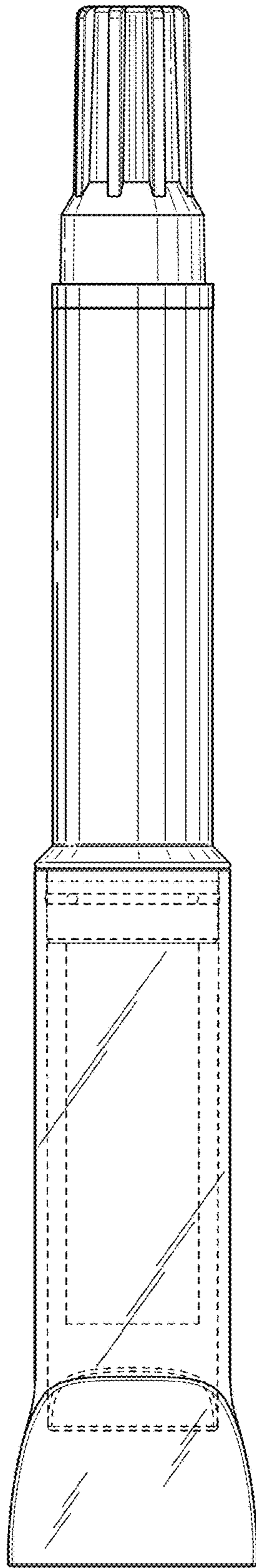


FIG.2

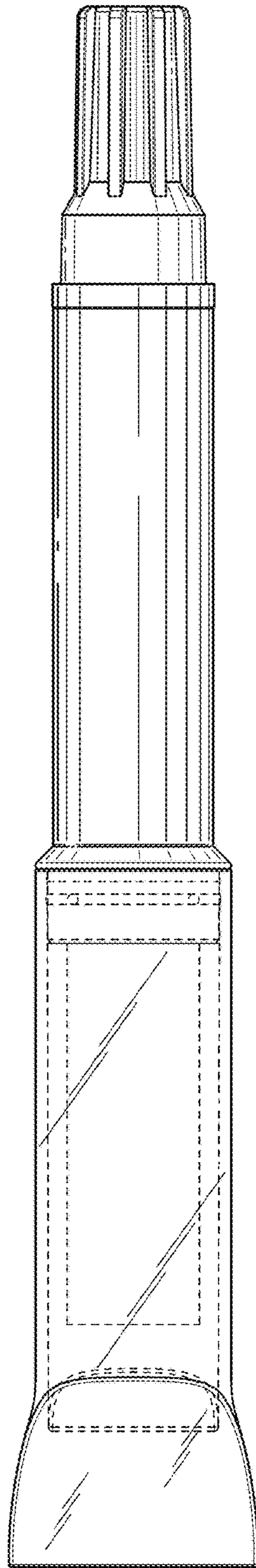


FIG. 3

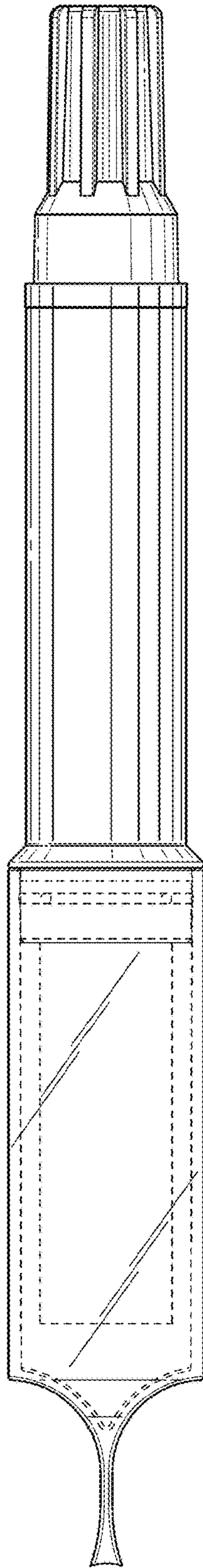


FIG. 4

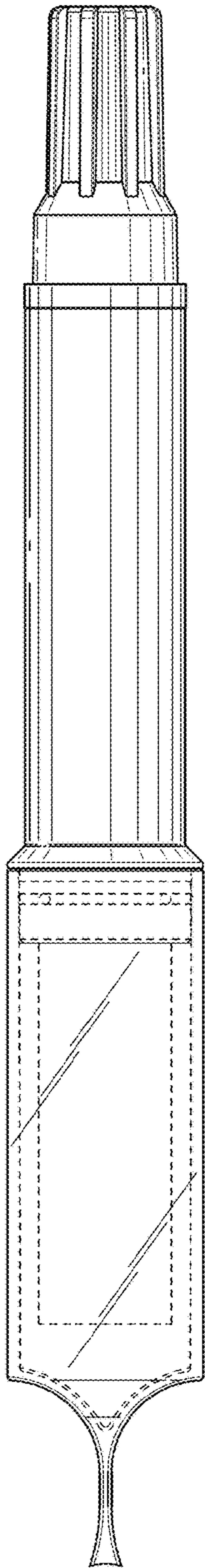


FIG. 5

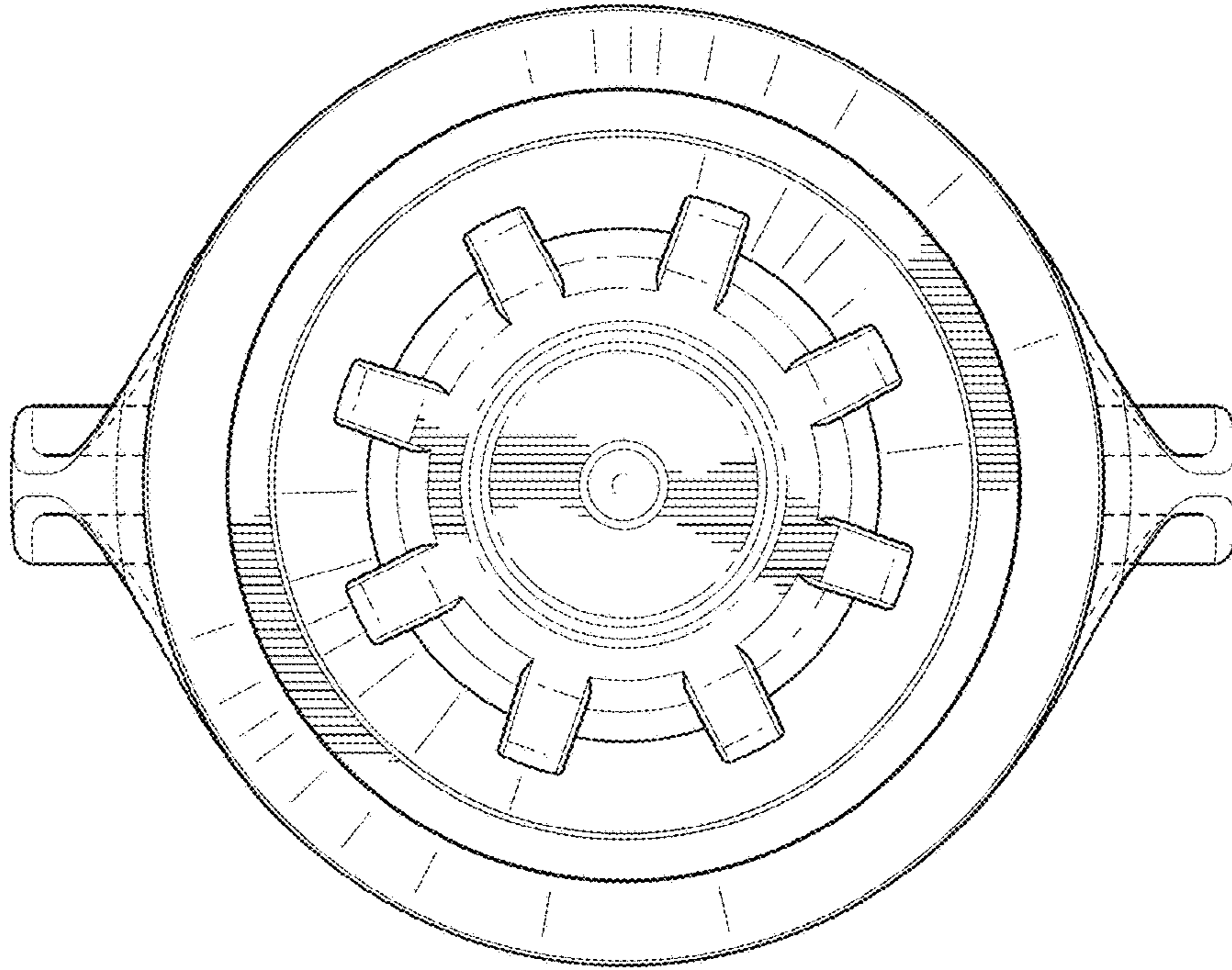


FIG. 6

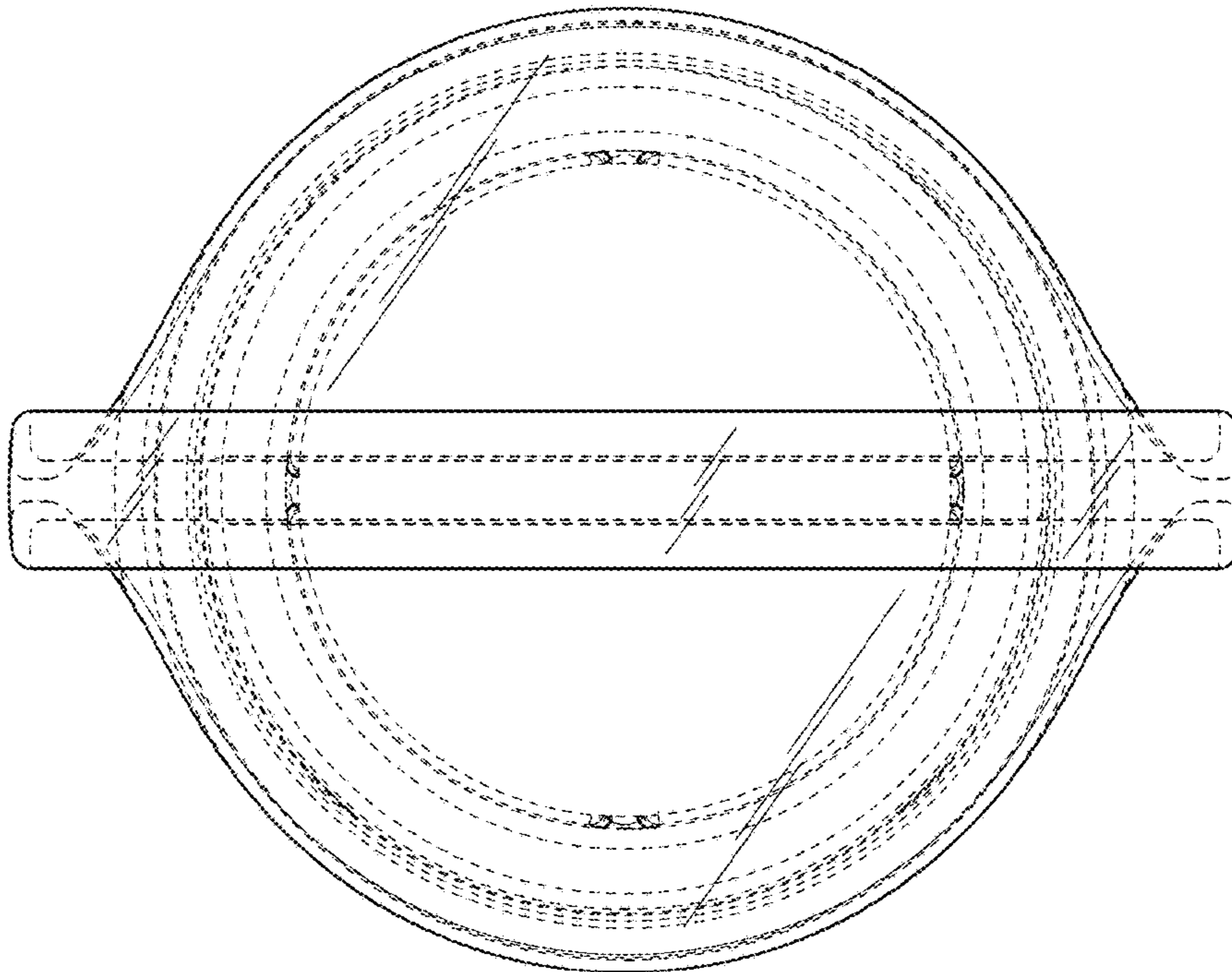


FIG. 7