



US00D833876S

(12) **United States Design Patent** (10) **Patent No.:** **US D833,876 S**
Laib et al. (45) **Date of Patent:** **** Nov. 20, 2018**

- (54) **PACKAGE**
- (71) Applicant: **Owens-Brockway Glass Container Inc.**, Perrysburg, OH (US)
- (72) Inventors: **Douglas Laib**, Perrysburg, OH (US); **Young Lee**, Perrysburg, OH (US)
- (73) Assignee: **Owens-Brockway Glass Container Inc.**, Perrysburg, OH (US)
- (**) Term: **15 Years**
- (21) Appl. No.: **29/622,417**
- (22) Filed: **Oct. 17, 2017**

D206,028 S 10/1966 Bartlett
 D214,159 S 5/1969 Hart et al.
 D218,354 S 8/1970 Kikuchi
 (Continued)

OTHER PUBLICATIONS

Tattoo Work Inspired by Glass, posted at peachridgeglass.com, posted on Aug. 17, 2011, available online, URL: <https://www.peachridgeglass.com/2011/08/inspired-by-glass/> (Year: 2011).*
 (Continued)

Primary Examiner — Anhdao Doan
Assistant Examiner — Mary Shannon Malley

(57) **CLAIM**

We claim an ornamental design for a package, as shown and described.

DESCRIPTION

FIG. 1 is a perspective view of a package in accordance with an embodiment of our new claimed design.
 FIG. 2 is a front side view of the package in FIG. 1.
 FIG. 3 is a right side view of the package in FIG. 1.
 FIG. 4 is a rear side view of the package in FIG. 1.
 FIG. 5 is a left side view of the package in FIG. 1.
 FIG. 6 is a top view of the package in FIG. 1.
 FIG. 7 is a bottom view of the package in FIG. 1.
 FIG. 8 is a perspective view of a package in accordance with another embodiment of our new claimed design.
 FIG. 9 is a front side view of the package in FIG. 8.
 FIG. 10 is a right side view of the package in FIG. 8.
 FIG. 11 is a rear side view of the package in FIG. 8.
 FIG. 12 is a left side view of the package in FIG. 8.
 FIG. 13 is a top view of the package in FIG. 8; and, FIG. 14 is a bottom view of the package in FIG. 8.
 The dash-dash-dash broken lines show the portion of the package that are not part of the claimed design.
 Dash-dot-dash broken lines shown in the drawings represent boundaries of the claimed design and are not part of the claimed design.

Related U.S. Application Data

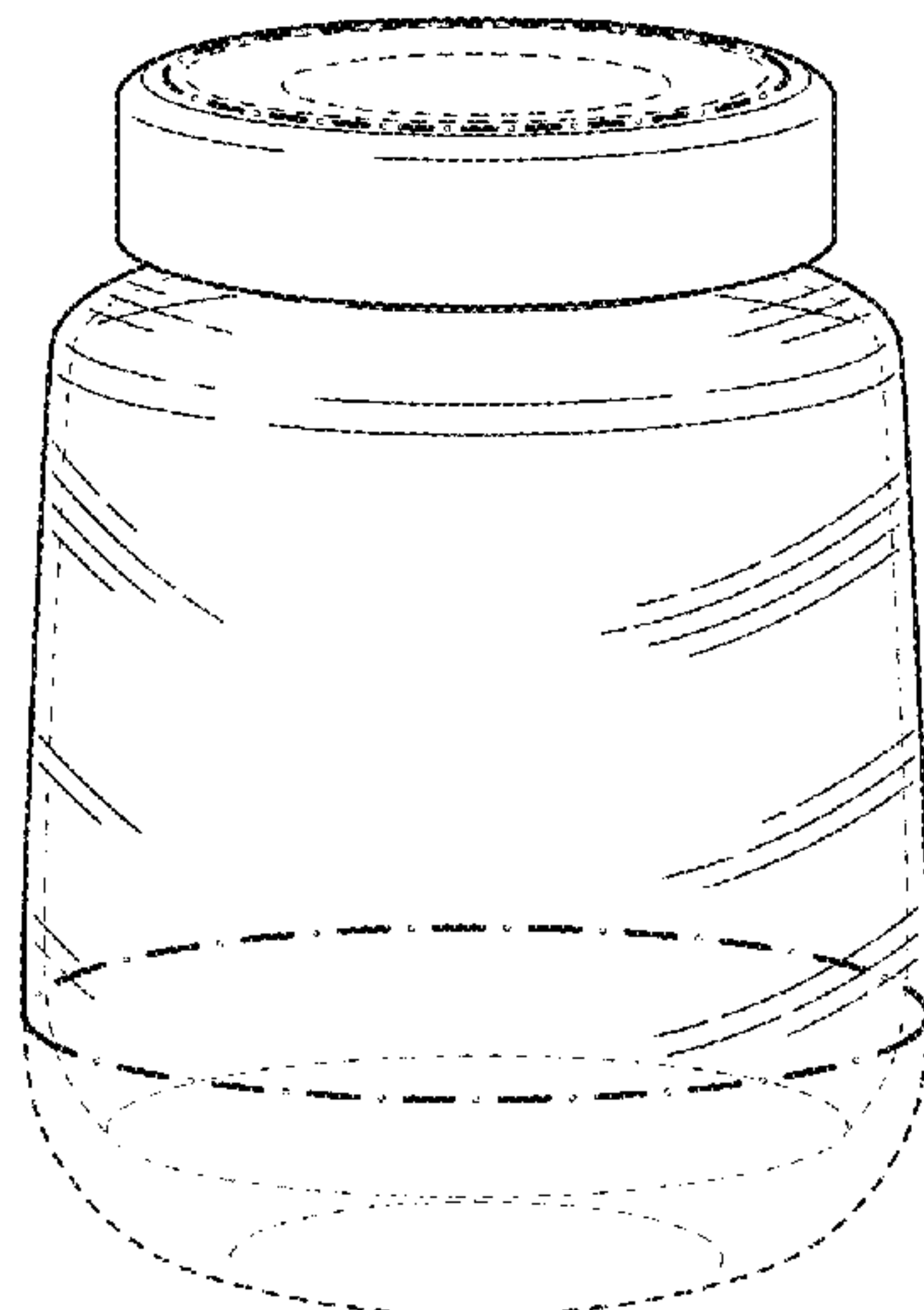
- (63) Continuation of application No. 29/551,744, filed on Jan. 15, 2016, now Pat. No. Des. 802,423.
- (51) **LOC (11) Cl.** **09-01**
- (52) **U.S. Cl.**
USPC **D9/503**; D9/549; D9/454
- (58) **Field of Classification Search**
USPC D9/453, 500–505, 516, 529, 530, 533, D9/537, 538, 541, 546, 549–559, 569, D9/570, 690, 694, 738, 454, 428, 691, D9/429; D7/602, 612, 615; D28/76, 82; 215/379, 382
CPC ... B65D 1/00; B65D 1/02; B65D 1/07; B65D 1/0023; B65D 1/10; B65D 23/00; B65D 2501/00; B65D 2501/0009; B65D 1/40; B65D 1/0246; B65D 1/0253
See application file for complete search history.

References Cited

U.S. PATENT DOCUMENTS

1,054,833 A 3/1913 Dutton
 D199,700 S 12/1964 Lowry

1 Claim, 4 Drawing Sheets



(56)

References Cited

U.S. PATENT DOCUMENTS

D247,847 S 5/1978 Kretz
 D252,796 S 9/1979 Fortuna et al.
 D257,579 S 12/1980 Hayes
 D266,485 S 10/1982 Guerette
 D272,508 S 2/1984 Conti
 D273,461 S 4/1984 Sevenoaks
 D275,649 S 9/1984 Shortino et al.
 D278,885 S 5/1985 Fortuna
 D279,651 S 7/1985 Freeman
 D283,594 S 4/1986 MacLaughlin et al.
 D283,595 S 4/1986 Fortuna et al.
 D283,597 S 4/1986 Strand
 D283,677 S 5/1986 Fortuna et al.
 D285,530 S * 9/1986 MacLaughlin D9/429
 D285,655 S 9/1986 MacLaughlin et al.
 4,655,682 A 5/1987 Kerins et al.
 D298,108 S 10/1988 Heck et al.
 D318,746 S 7/1991 Austin
 D321,477 S 11/1991 Gunter
 D368,771 S 4/1996 Patel et al.
 D385,194 S 10/1997 Robbins, III
 D458,540 S 6/2002 Clements et al.
 D467,805 S 12/2002 Restrepo
 D483,671 S 12/2003 Pinnavaia
 D489,984 S 5/2004 Futral et al.
 D498,424 S 11/2004 Moretti
 D511,971 S 11/2005 Moretti
 D522,869 S * 6/2006 Leshyk D9/538
 D531,930 S 11/2006 Cabre Roige
 D542,143 S * 5/2007 Phillips D9/557
 D547,612 S 7/2007 Pao
 D569,251 S 5/2008 Varlet
 D584,946 S 1/2009 Rica
 D595,134 S 6/2009 Rica
 D596,505 S 7/2009 Diss et al.
 D596,958 S 7/2009 Diss et al.
 D616,749 S 6/2010 Tivelli et al.
 D624,418 S 9/2010 Sridhar
 D626,414 S 11/2010 Cresswell et al.
 D633,794 S 3/2011 Cresswell et al.

D633,795 S 3/2011 Cresswell et al.
 D633,796 S 3/2011 Cresswell et al.
 D642,471 S 8/2011 White et al.
 D657,248 S 4/2012 Lin
 D684,060 S 6/2013 Hodges
 D685,637 S 7/2013 Colon et al.
 D694,112 S 11/2013 Brown
 D703,057 S 4/2014 Moore et al.
 D721,587 S 1/2015 Bos et al.
 D722,273 S 2/2015 Ivie
 D732,893 S 6/2015 Bronwasser et al.
 D734,155 S 7/2015 Moore et al.
 D743,796 S * 11/2015 Pratt D9/500
 D749,419 S 2/2016 Grossman
 D754,485 S 4/2016 Lapsker
 9,314,956 B2 4/2016 Porter et al.
 D756,789 S * 5/2016 Darling D9/503
 D802,423 S * 11/2017 Laib D9/500
 2012/0031870 A1 2/2012 Porter et al.
 2012/0152882 A1 6/2012 Tune

OTHER PUBLICATIONS

Jar, posted at cmog.org, circa 100-299, (c) 2002—Corning Museum of Glass, [online], [site visited Jun. 15, 2017]. Available from Internet, <URL:http://www.cmog.org/artwork/jar-36?search=collection%3A4f1711f343f9457cede422a9d68aec28&page=171>.
 Kitchen Classique, posted at sweepstakesdiva.com, posted Jul. 28, 2015, [online], [site visited Jun. 9, 2017]. Available from Internet, <URL:https://sweepstakesdiva.com/?s=kitchen+classique&submit=Go>.
 Cylinder Spice Jars With Metal Shaker Lids, Set of 4, posted at worldmarket.com, available Nov. 28, 2013, [online], [site visited 06/09/2017]. Available from Internet, <URL:https://www.worldmarket.com/product/cylinder-spice-jars-with-metal-shaker-lids-set-of-4.do>.
 Mama Life Hacks {#15}: Reusing Baby Food Jars, posted at misformama.net, posted Sep. 21, 2015, [online], [site visited May 25, 2017]. Available from Internet, <URL:http://misformama.net/2015/09/mama-life-hacks-15-reusing-baby-food-jars.html>.

* cited by examiner

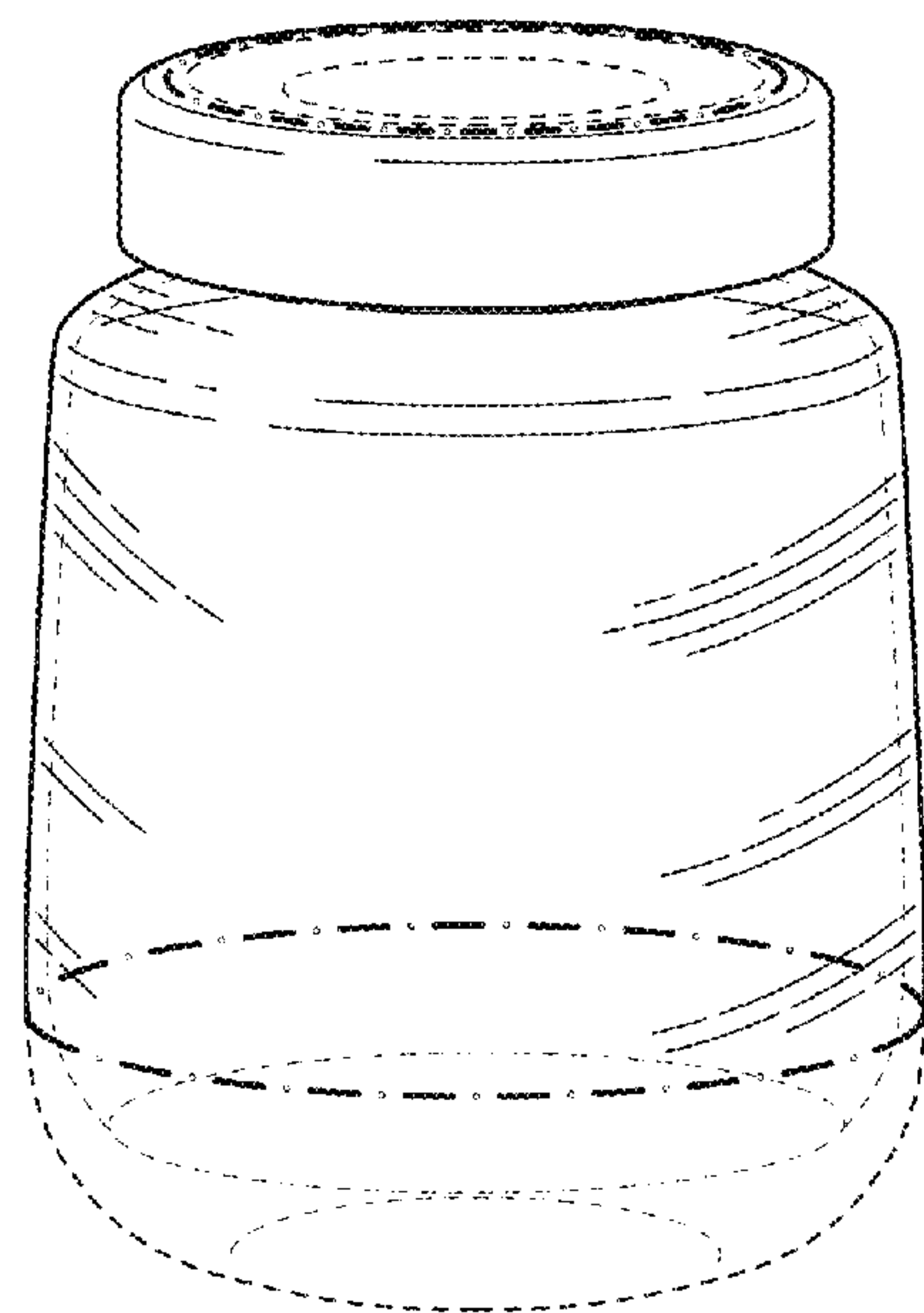


FIG. 1

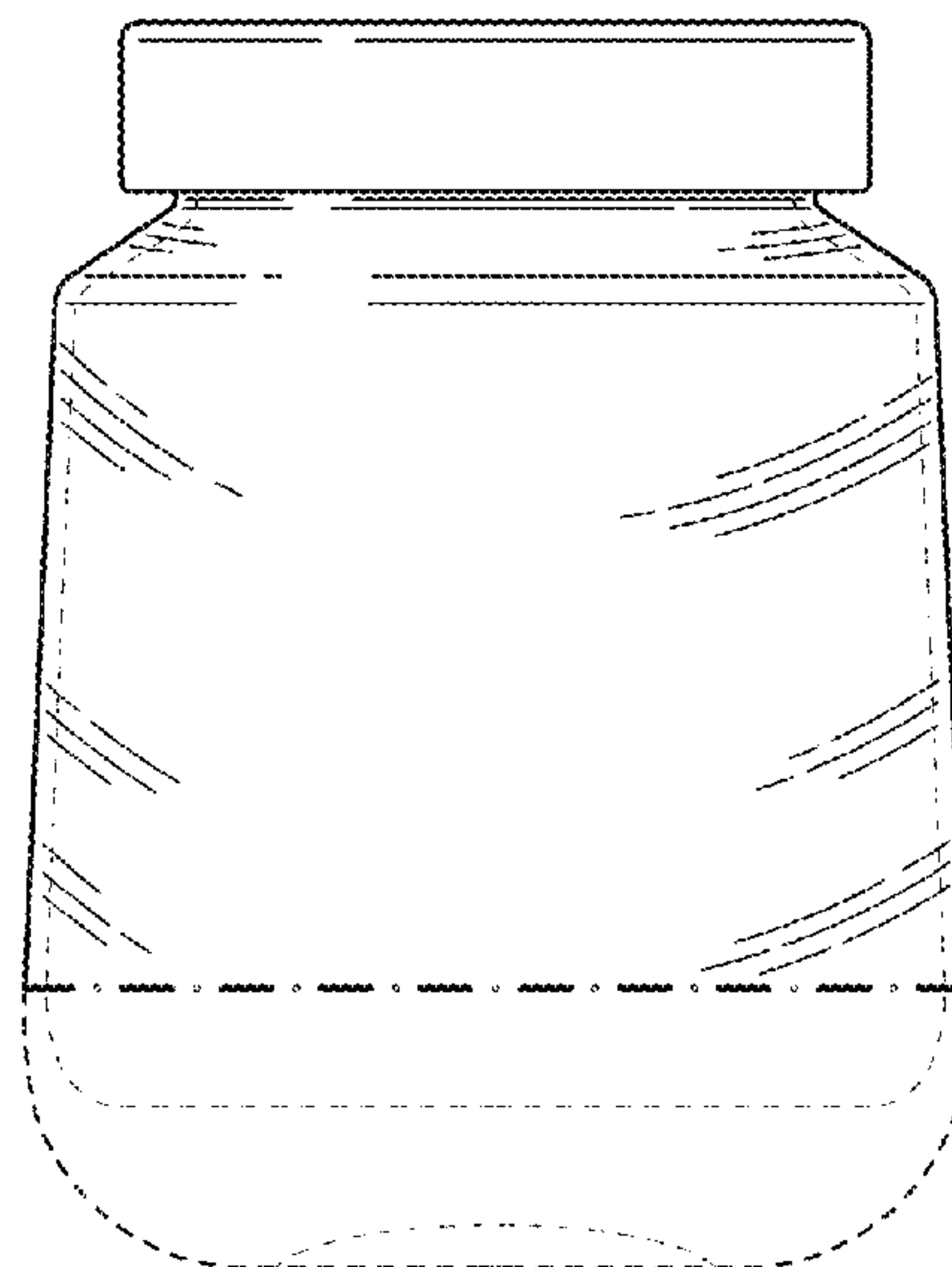


FIG. 2

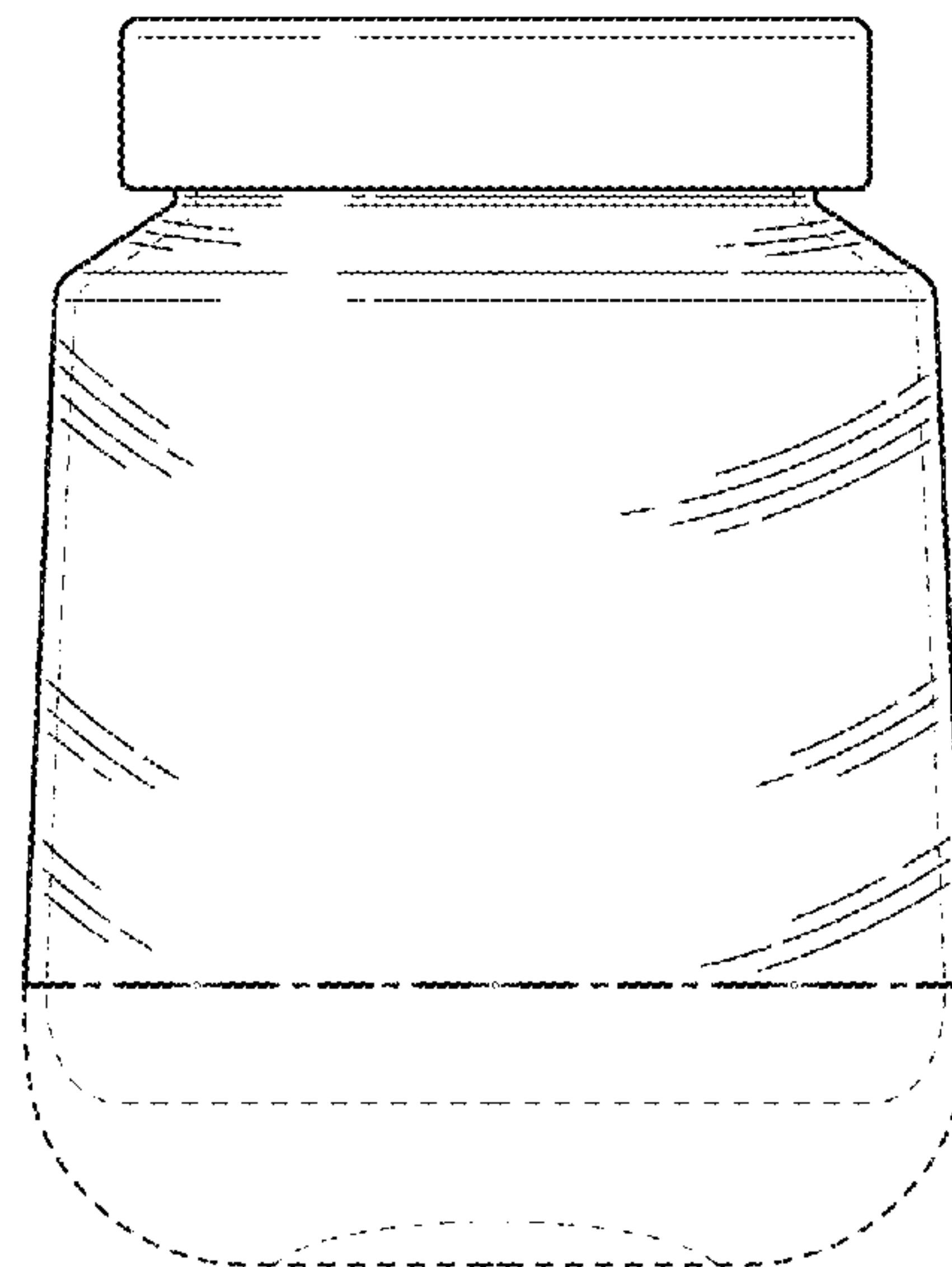


FIG. 3

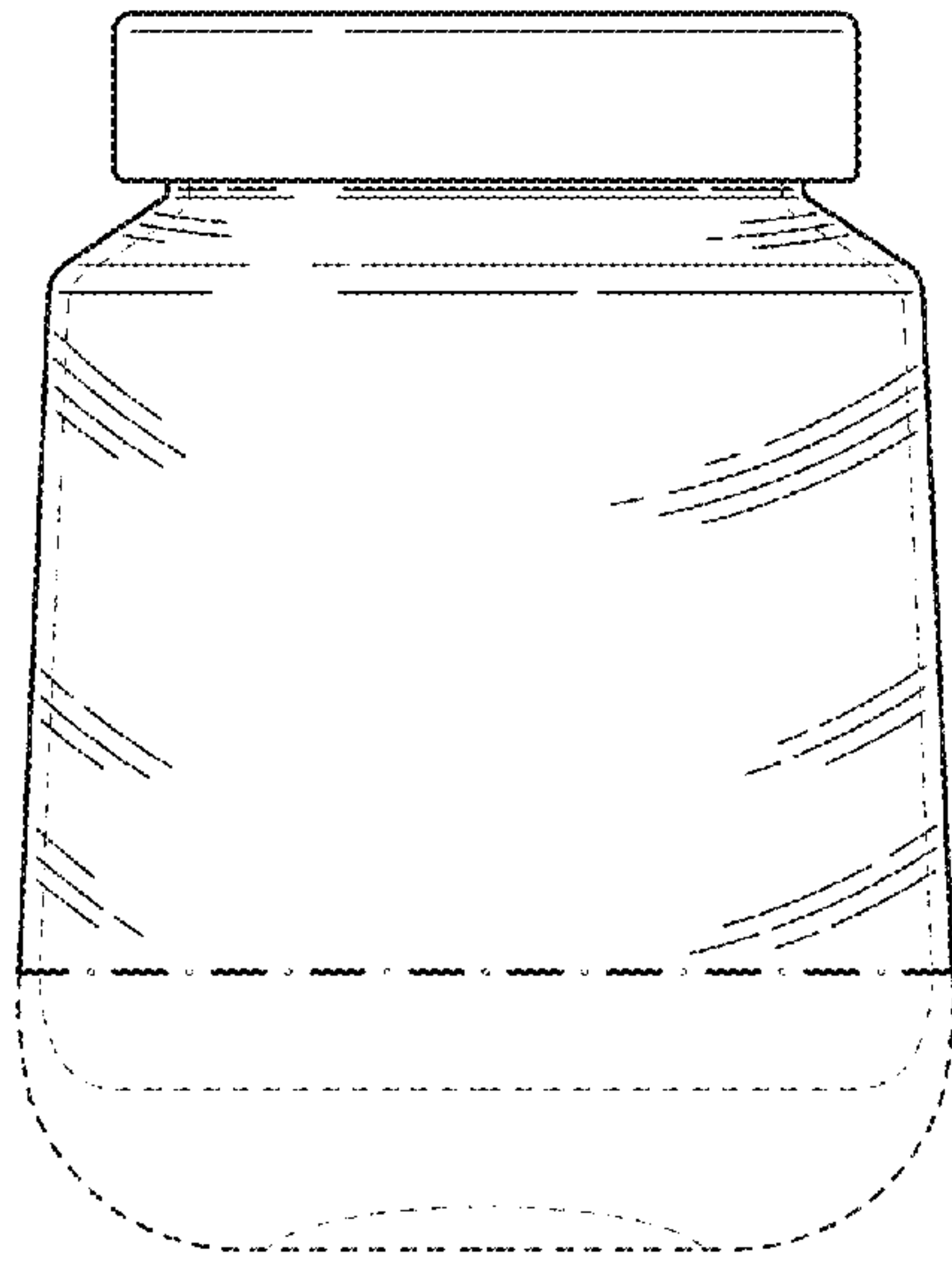


FIG. 4

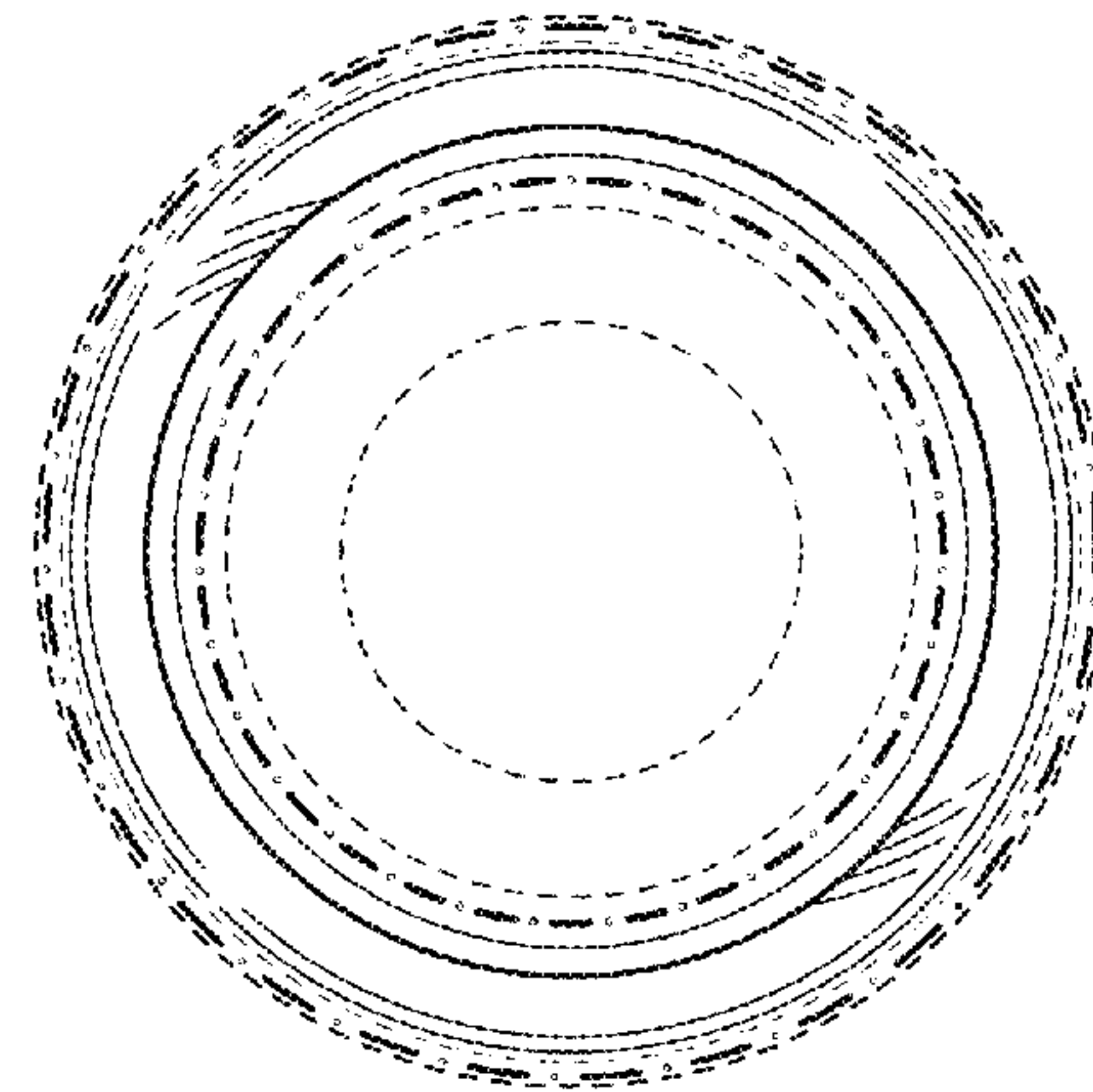


FIG. 6

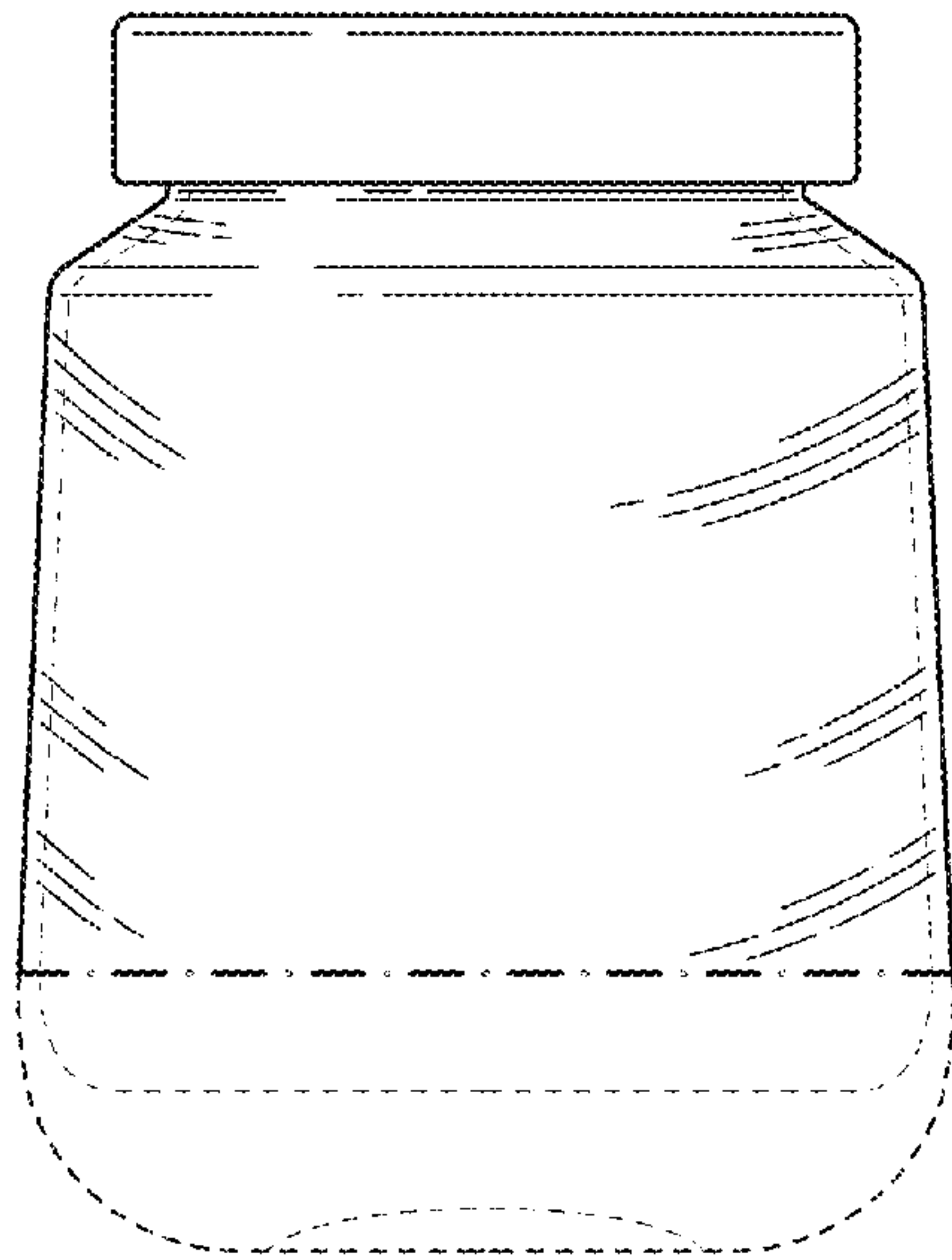


FIG. 5

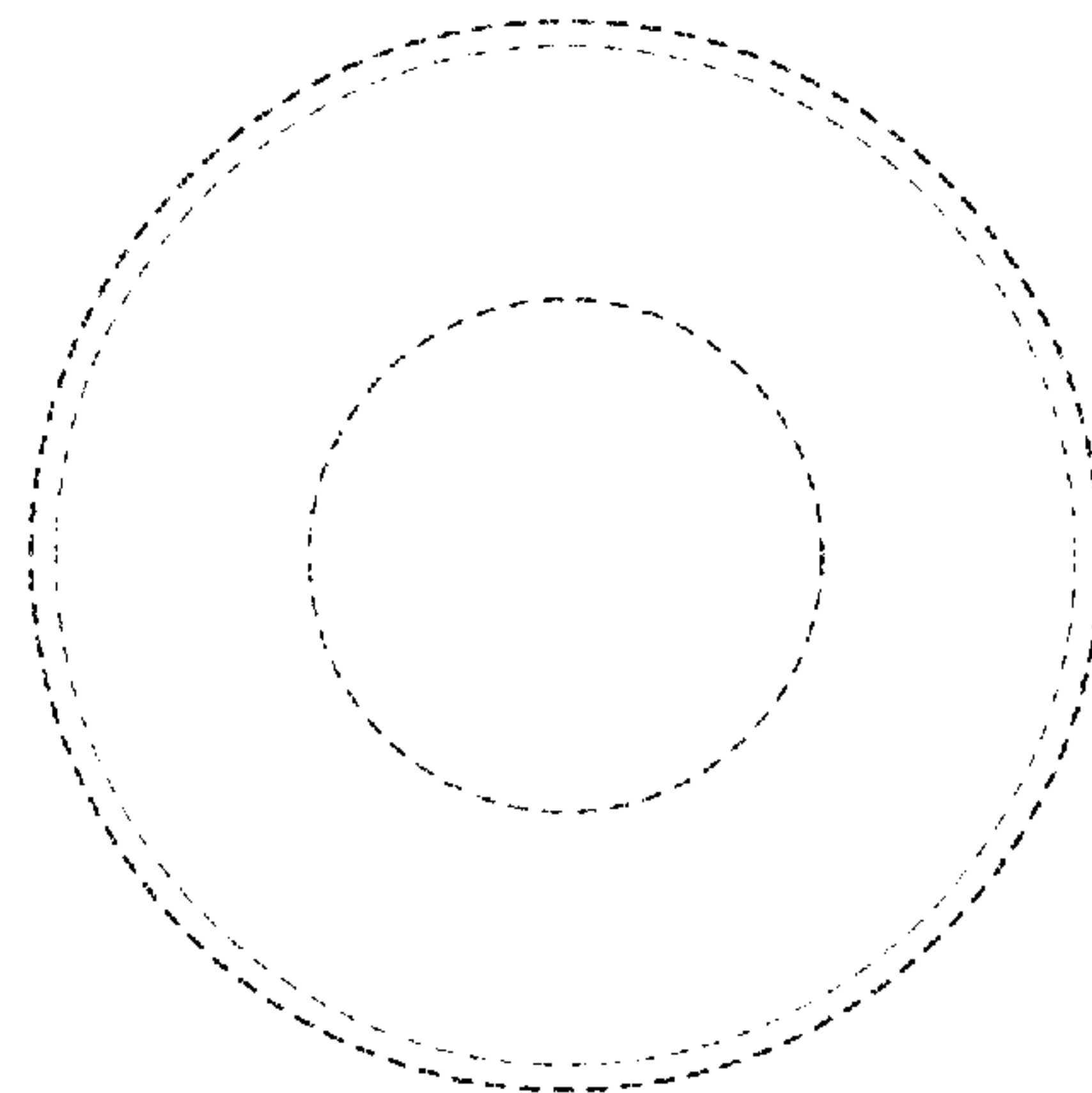


FIG. 7

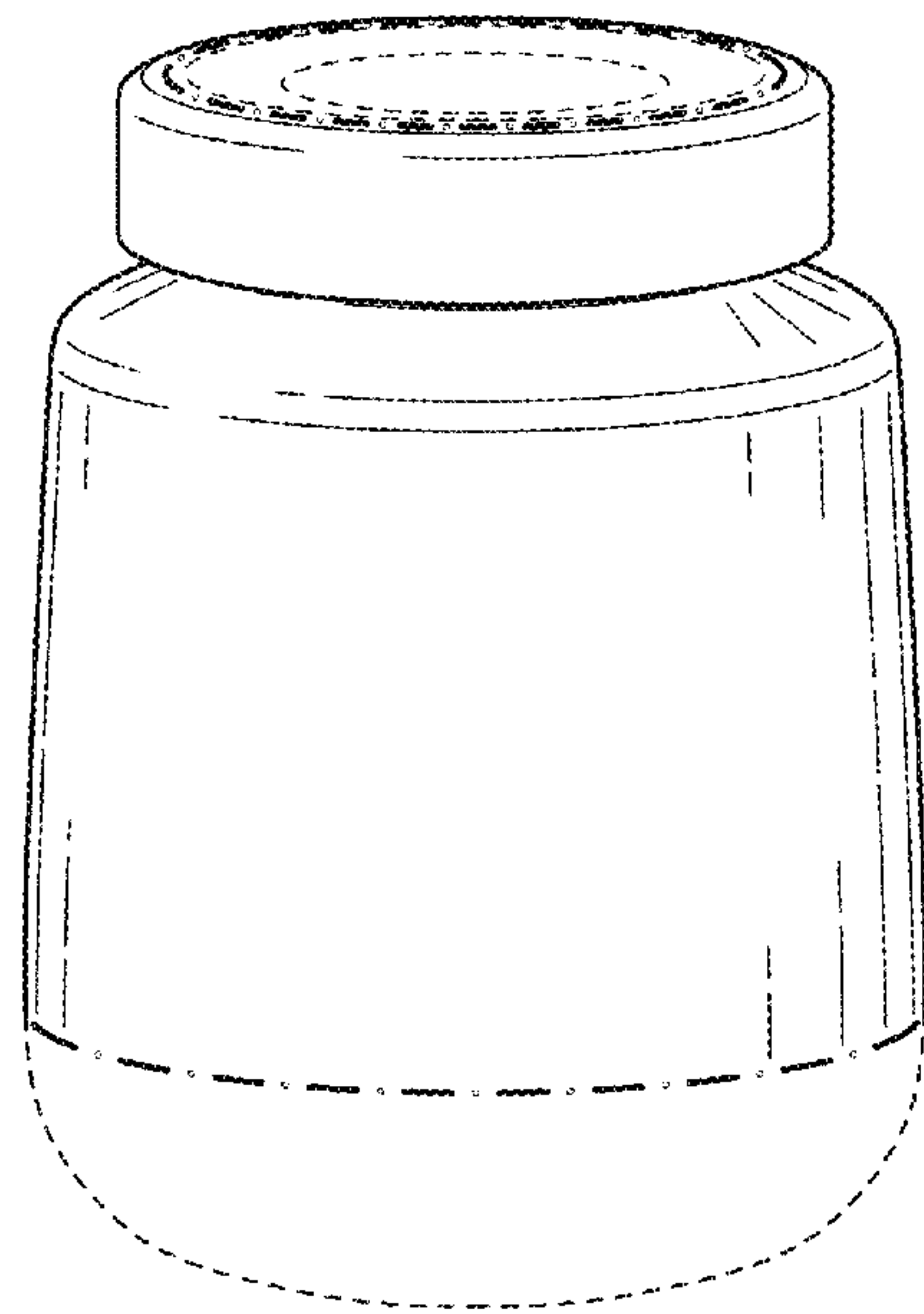


FIG. 8

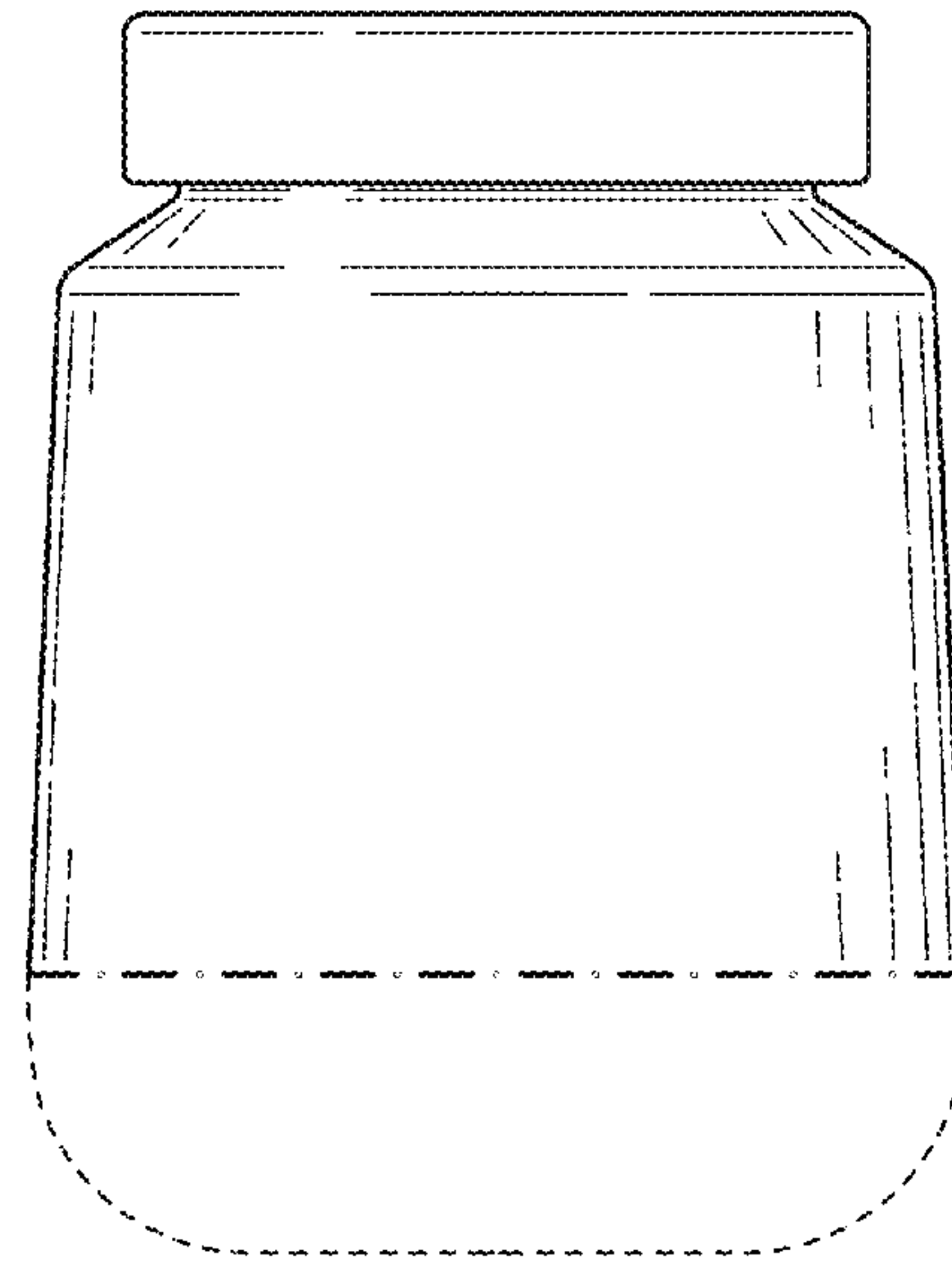


FIG. 9

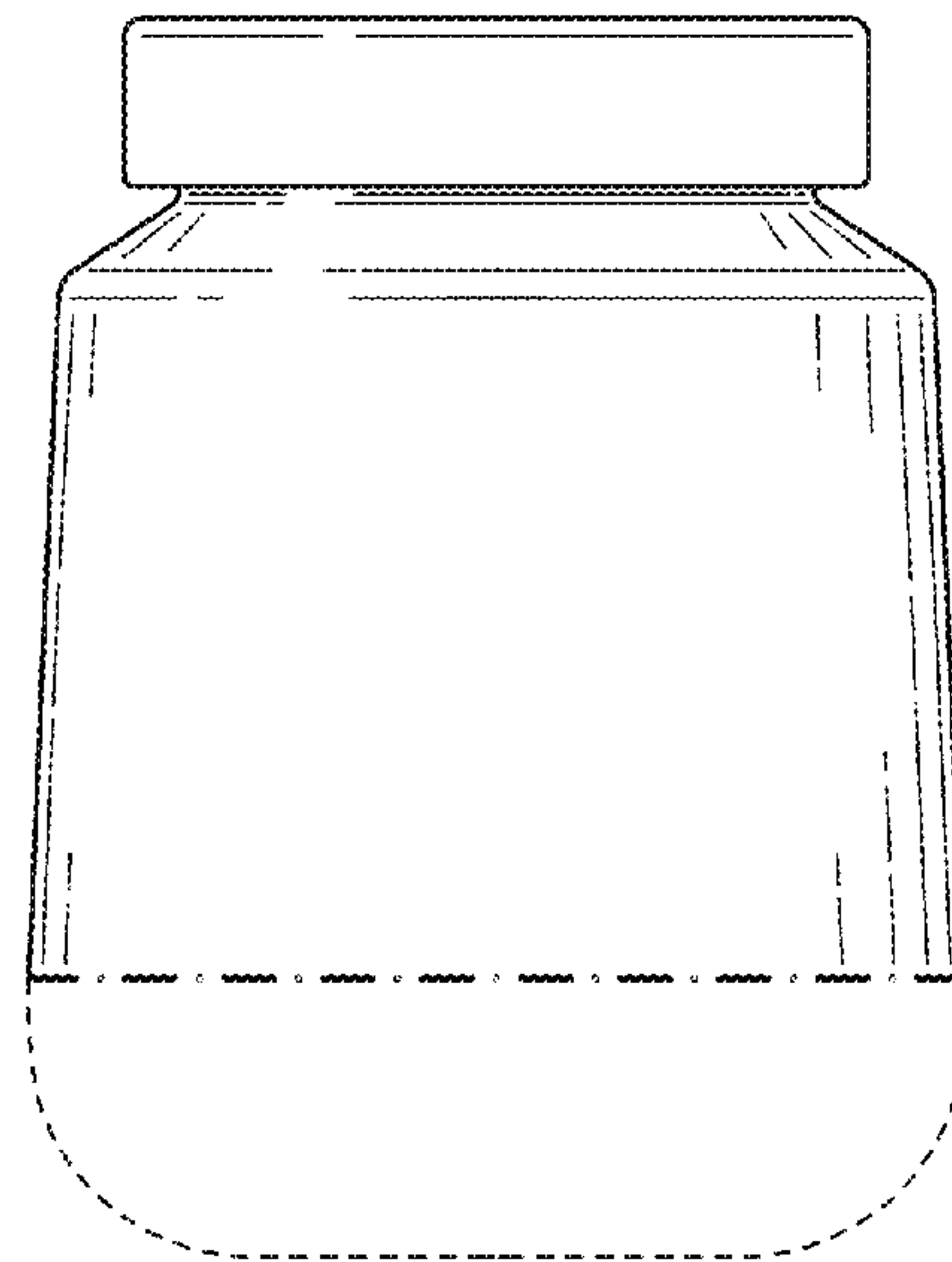


FIG. 10

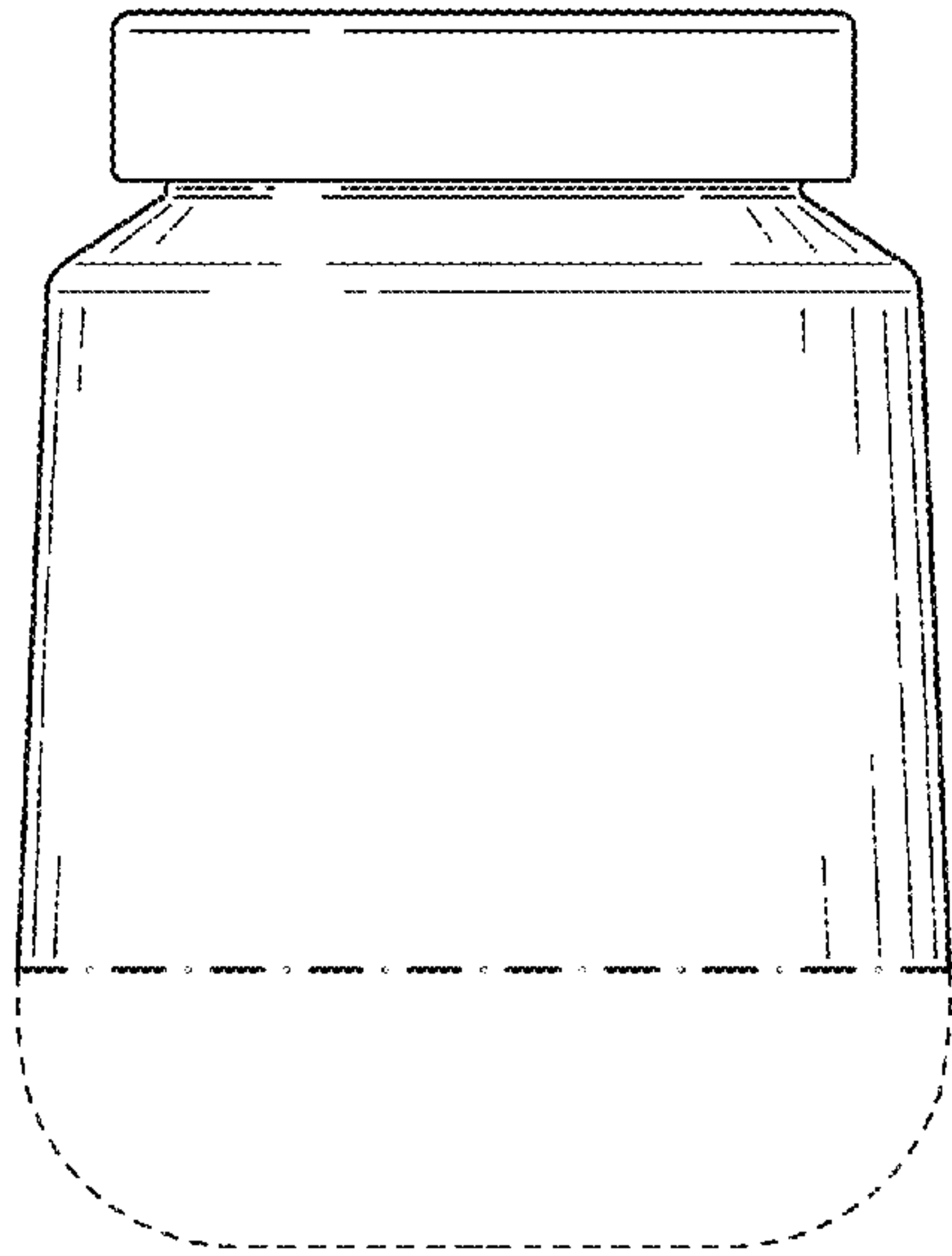


FIG. 11

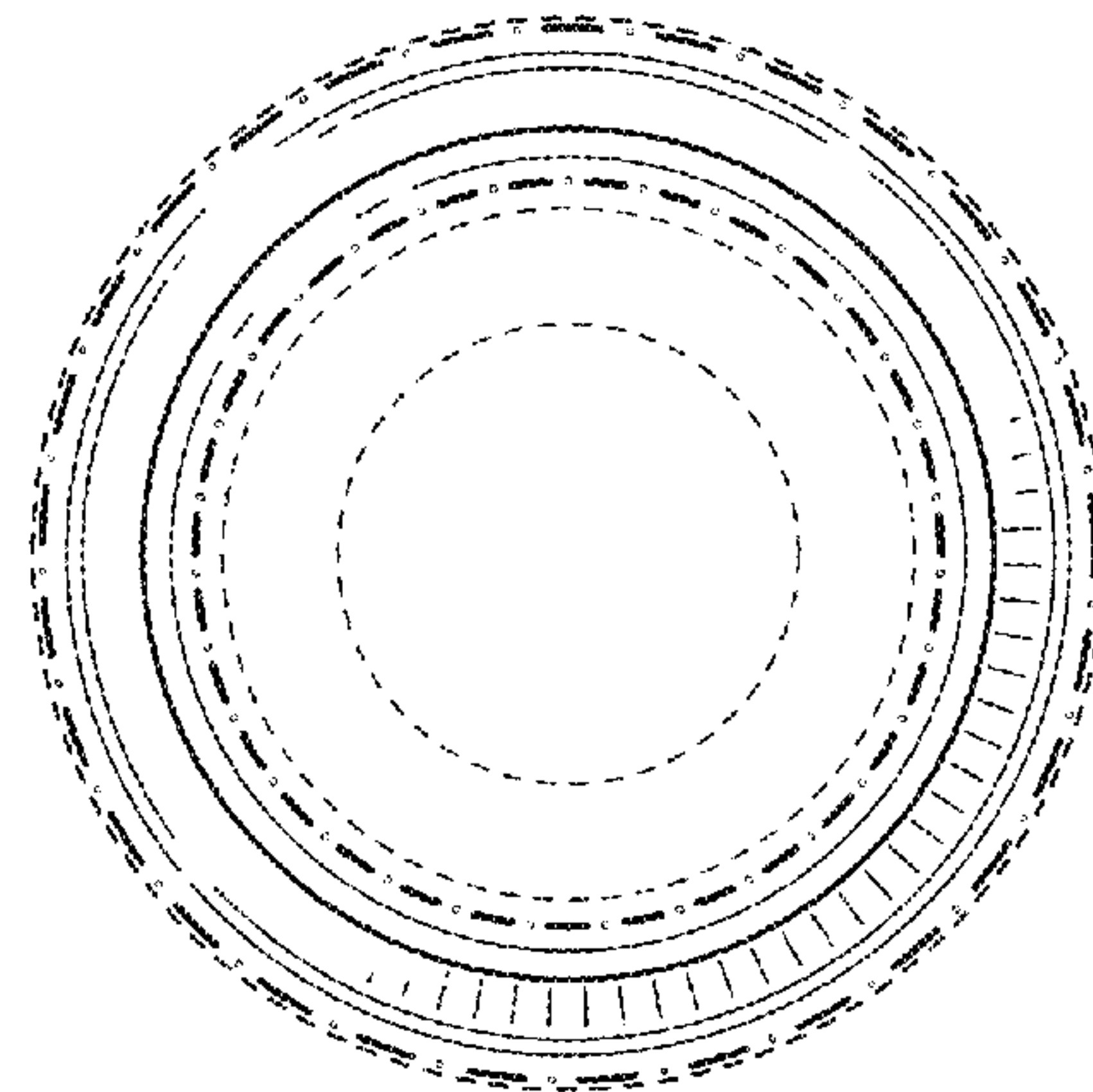


FIG. 13

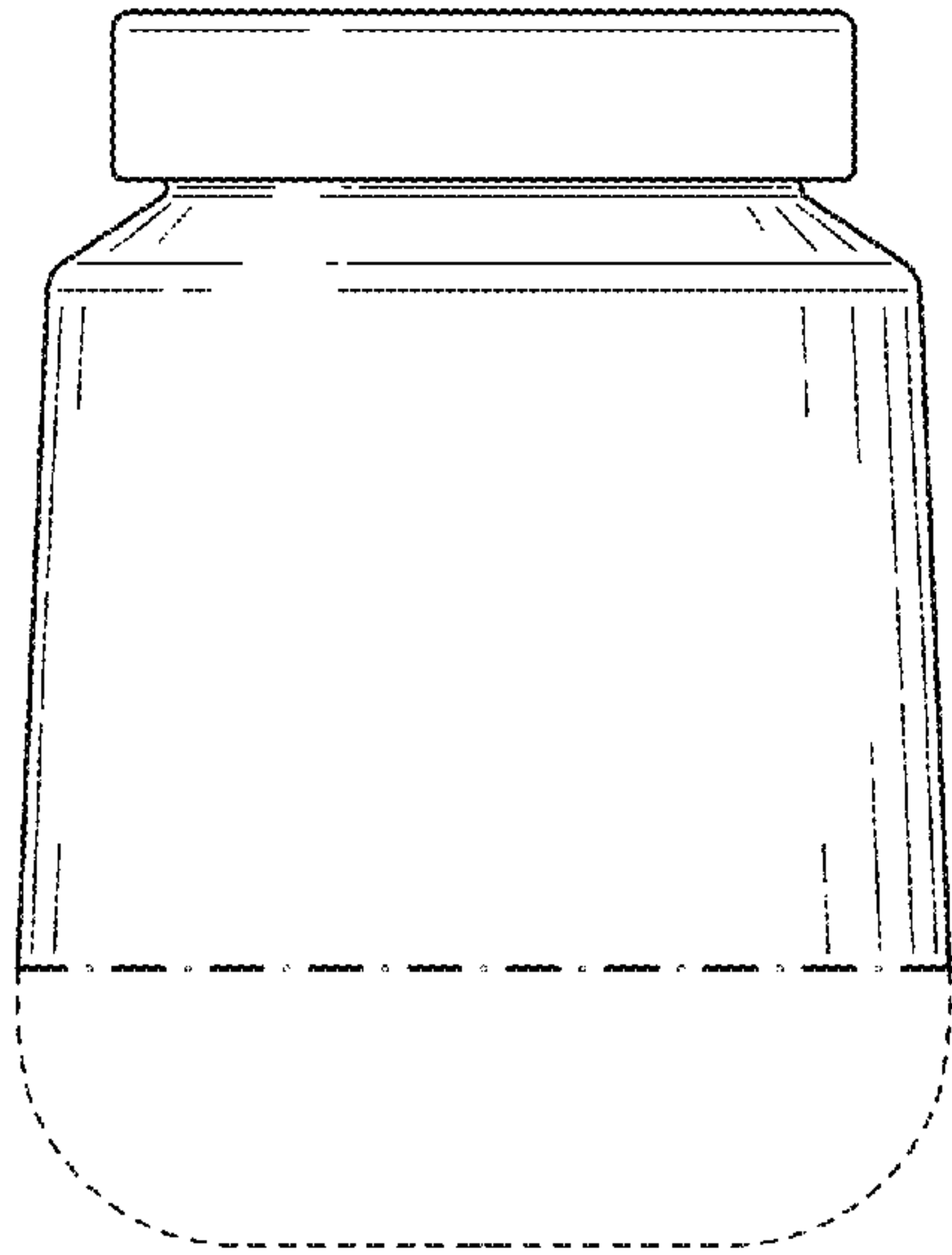


FIG. 12

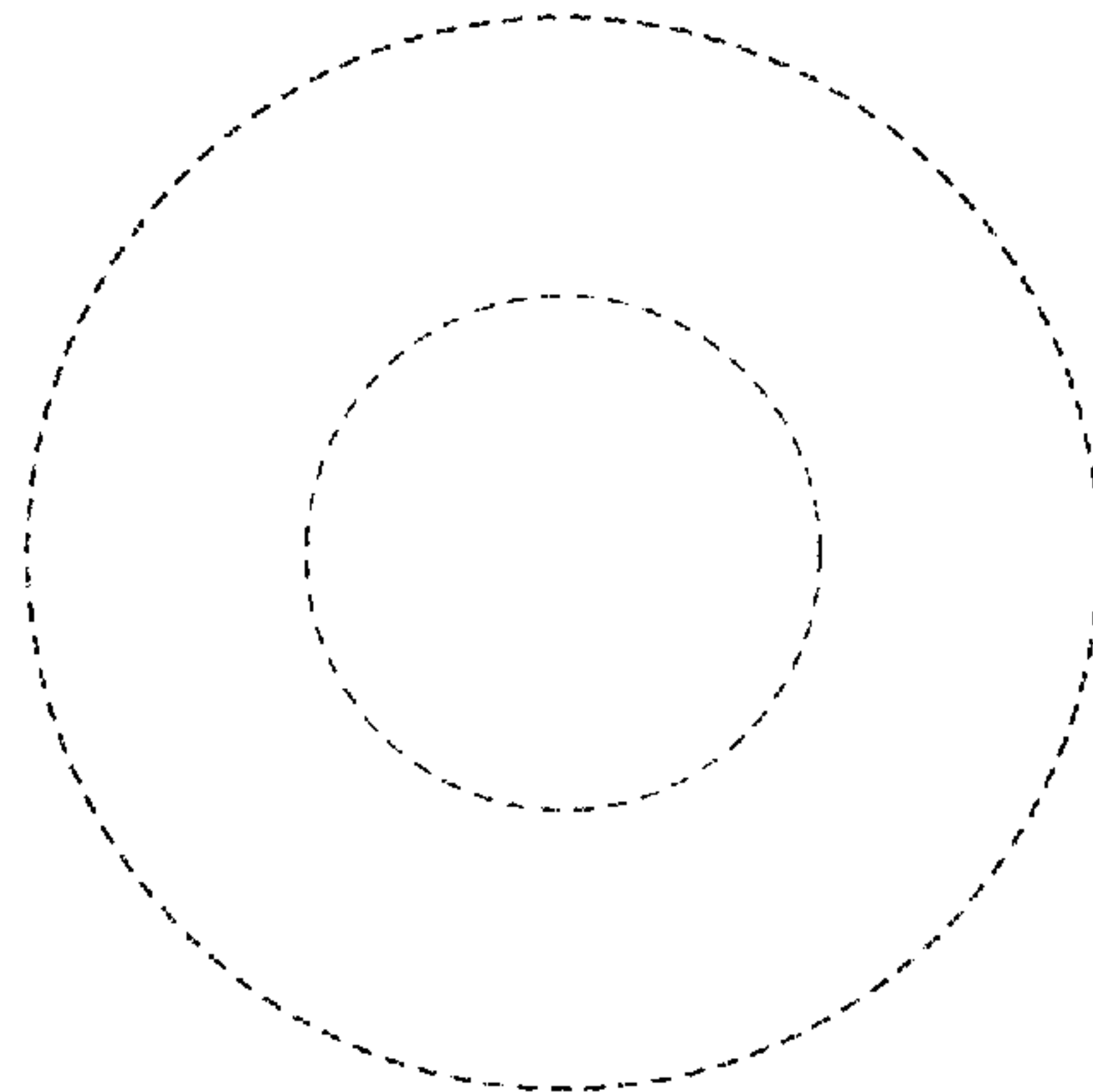


FIG. 14