



US00D833875S

(12) **United States Design Patent**
Harrison et al.

(10) **Patent No.:** **US D833,875 S**

(45) **Date of Patent:** **** Nov. 20, 2018**

- (54) **REFILL BOTTLE WITH CAP**
- (71) Applicant: **Reckitt Benckiser (Brands) Limited**,
Slough, Berkshire (GB)
- (72) Inventors: **Jostyn Logan Harrison**, Slough (GB);
Jesse John Horne, Warwick (GB);
David Sanders, Warwick (GB)
- (73) Assignee: **RECKITT BENCKISER (BRNADS)**
LIMITED, Slough, Berkshire (GB)

- 4,280,638 A * 7/1981 Keihm A47K 5/12
222/180
 - D264,938 S * 6/1982 Stock D24/115
 - D270,238 S * 8/1983 Vilval D9/447
 - D274,132 S * 6/1984 Nightingale, III D9/453
 - 5,165,965 A * 11/1992 Martin B41F 17/00
264/342 R
 - 5,667,107 A * 9/1997 Lindsey B65D 23/003
222/173
 - D507,188 S * 7/2005 Chen D9/686
- (Continued)

- (**) Term: **15 Years**
- (21) Appl. No.: **29/584,160**
- (22) Filed: **Nov. 11, 2016**

(30) **Foreign Application Priority Data**

- Jun. 16, 2016 (EP) 003226364
- (51) **LOC (11) Cl.** **09-01**
- (52) **U.S. Cl.**
USPC **D9/503**; D9/453; D9/454
- (58) **Field of Classification Search**
USPC D9/434-436, 444-445, 453-454, 500,
D9/503-505, 516, 530, 537, 839, 549,
D9/558, 715, 719, 723-724; D4/116;
D7/679; D23/366
CPC B65D 1/00; B65D 1/02; B65D 1/0223;
B65D 23/00; B65D 81/00; B65D
2501/00; B65D 2501/0009
See application file for complete search history.

(56) **References Cited**

U.S. PATENT DOCUMENTS

- 2,717,727 A * 9/1955 Robb B65D 47/261
222/212
- D221,794 S * 9/1971 Livingston et al. D7/597
- D247,773 S * 4/1978 Topham D9/447
- 4,189,245 A * 2/1980 Bennett A45D 34/045
401/126

FOREIGN PATENT DOCUMENTS

WO DM/078193 * 4/2012

Primary Examiner — Dana Meyrow

(74) *Attorney, Agent, or Firm* — Norris McLaughlin & Marcus PA

(57) **CLAIM**

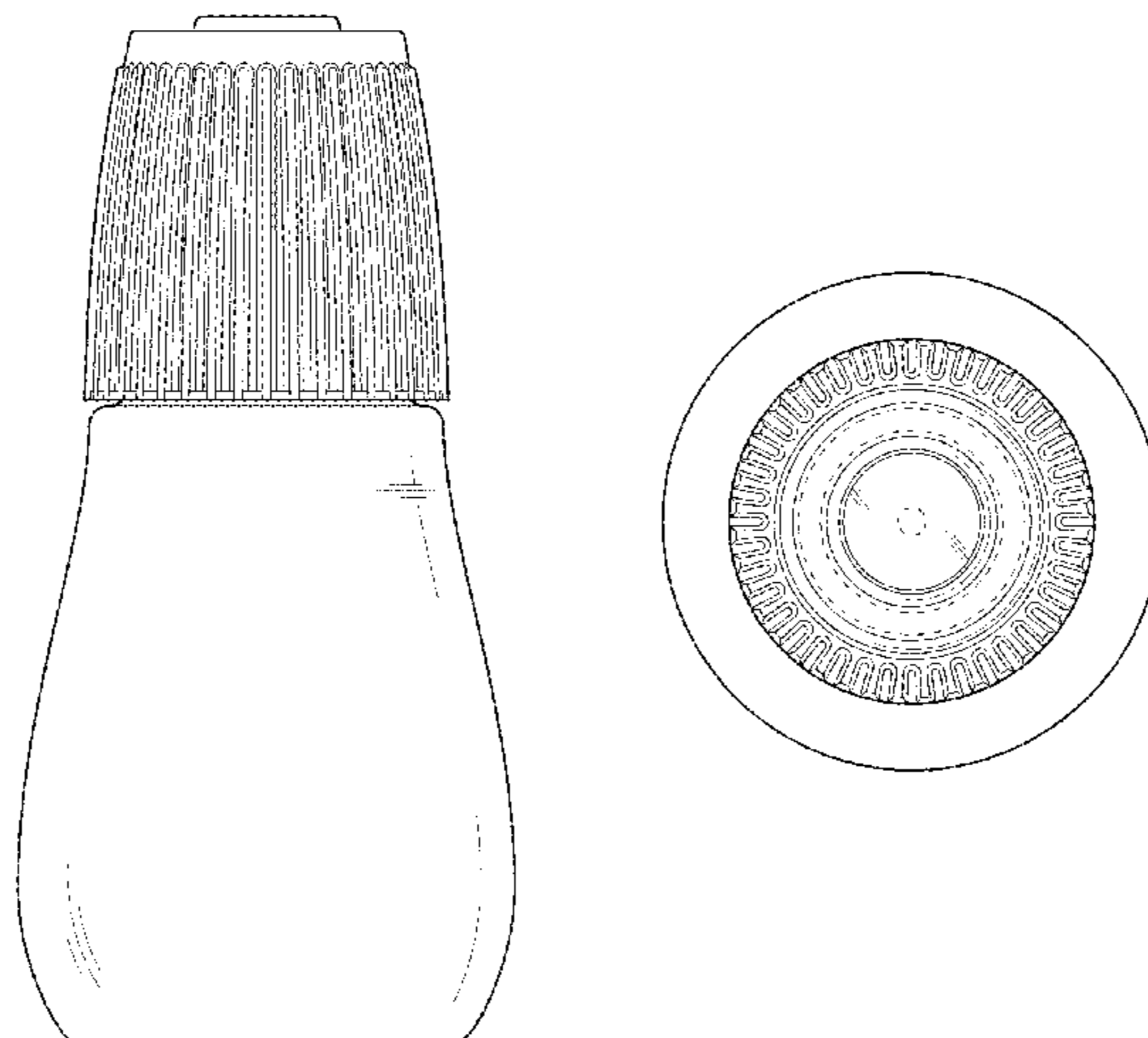
We claim the ornamental design for refill bottle with cap, as shown and described.

DESCRIPTION

FIG. 1 is a top, front perspective view of a first embodiment of a refill bottle with cap;
 FIG. 2 is a front elevation view thereof;
 FIG. 3 is a rear elevation view thereof;
 FIG. 4 is a first side elevation view thereof;
 FIG. 5 is a second side elevation view thereof;
 FIG. 6 is a top plan view thereof;
 FIG. 7 is a top, front perspective view of a second embodiment of a refill bottle with cap;
 FIG. 8 is a front elevation view thereof;
 FIG. 9 is a rear elevation view thereof;
 FIG. 10 is a first side elevation view thereof;
 FIG. 11 is a second side elevation view thereof; and,
 FIG. 12 is a top plan view thereof.

The broken lines in the drawings illustrate the portions of the refill bottle with cap that form no part of the claim.

1 Claim, 12 Drawing Sheets



(56)

References Cited

U.S. PATENT DOCUMENTS

D619,460	S	*	7/2010	Beckerman	D9/500
D646,572	S	*	10/2011	Koeleman	D9/500
8,087,547	B1	*	1/2012	Lindsey	B65D 35/56 222/1
D704,070	S	*	5/2014	Pires	D9/689
D709,374	S	*	7/2014	Wilcox	D9/453
D719,448	S	*	12/2014	Pires	D9/504
D719,463	S	*	12/2014	Pires	D9/691
D731,315	S	*	6/2015	Pires	D9/503
D739,735	S	*	9/2015	Darling	D9/500
D754,544	S	*	4/2016	Darling	D9/503
D756,789	S	*	5/2016	Darling	D9/503
D757,551	S	*	5/2016	Pires	D9/503
D757,553	S	*	5/2016	Pires	D9/503
D758,865	S	*	6/2016	Pires	D9/503

* cited by examiner

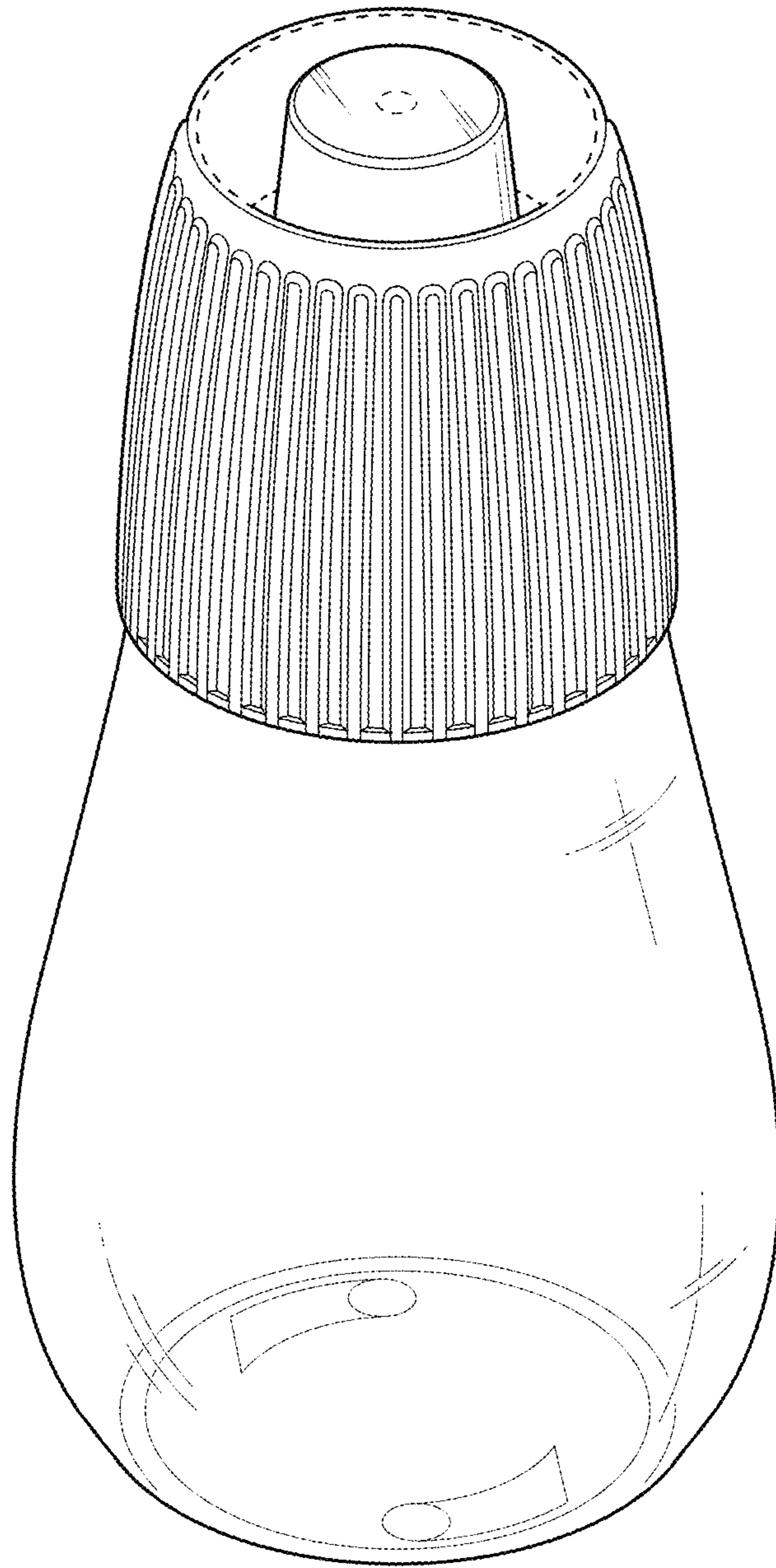


Fig. 1

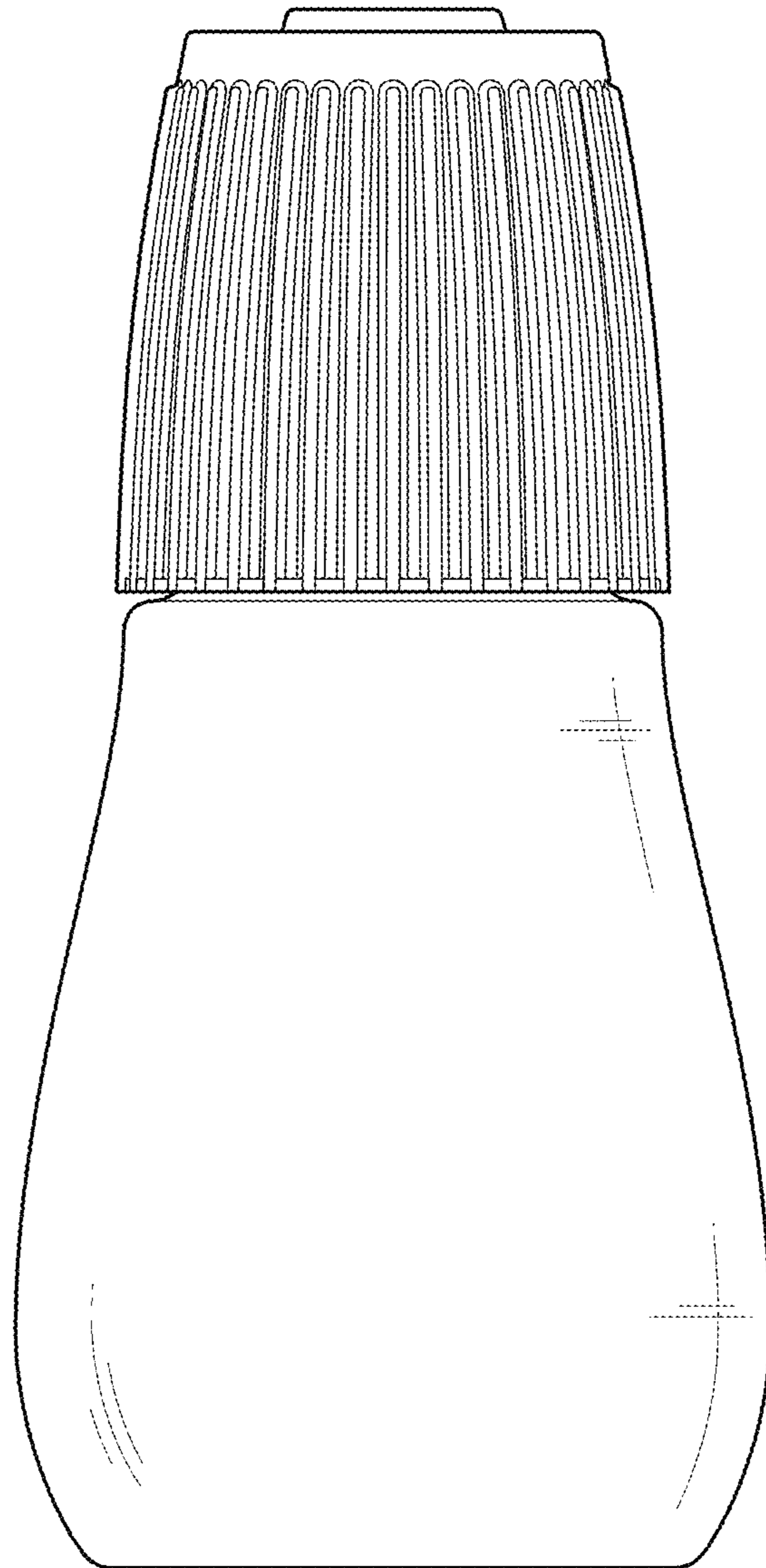


Fig. 2

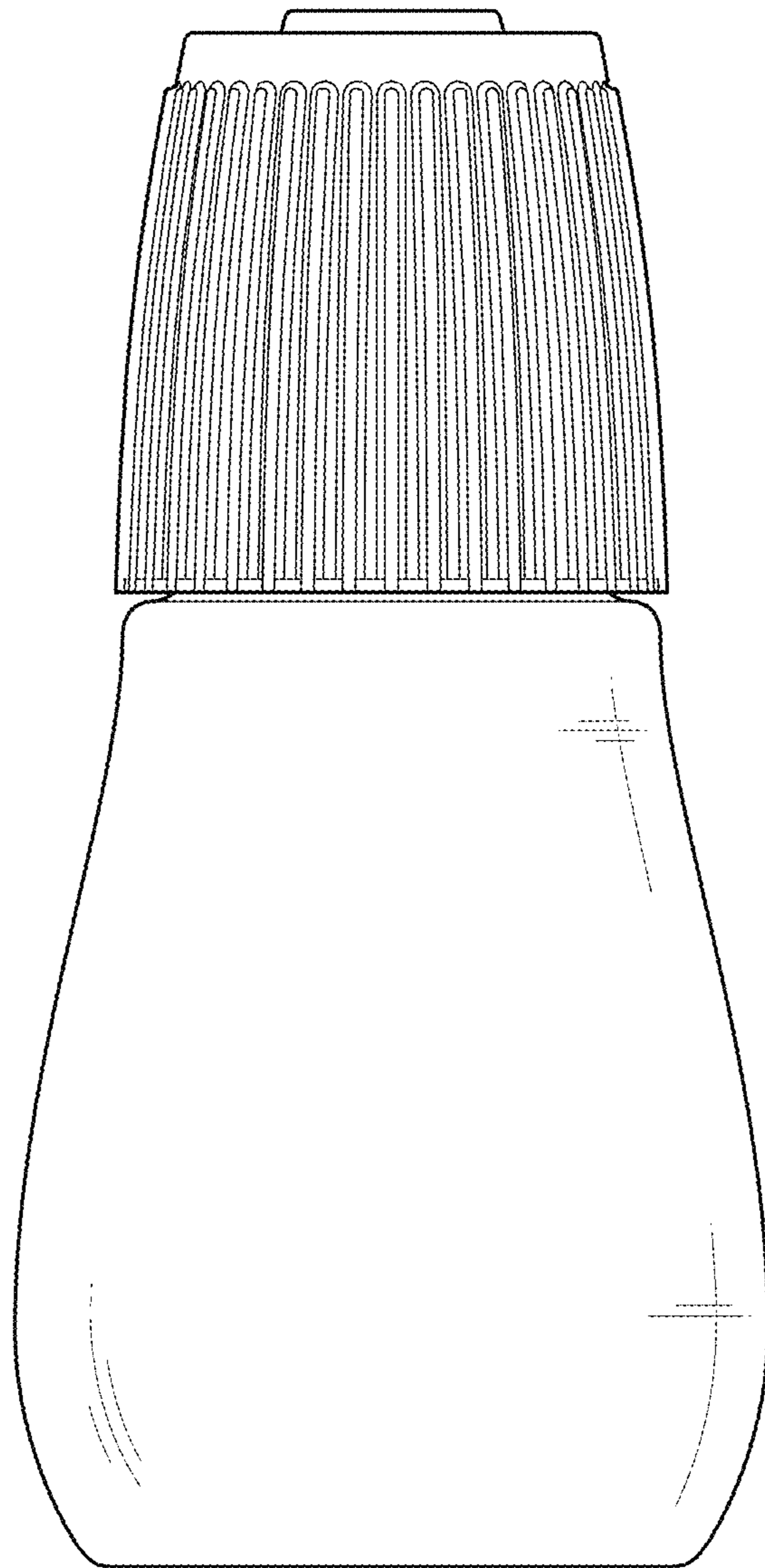


Fig. 3

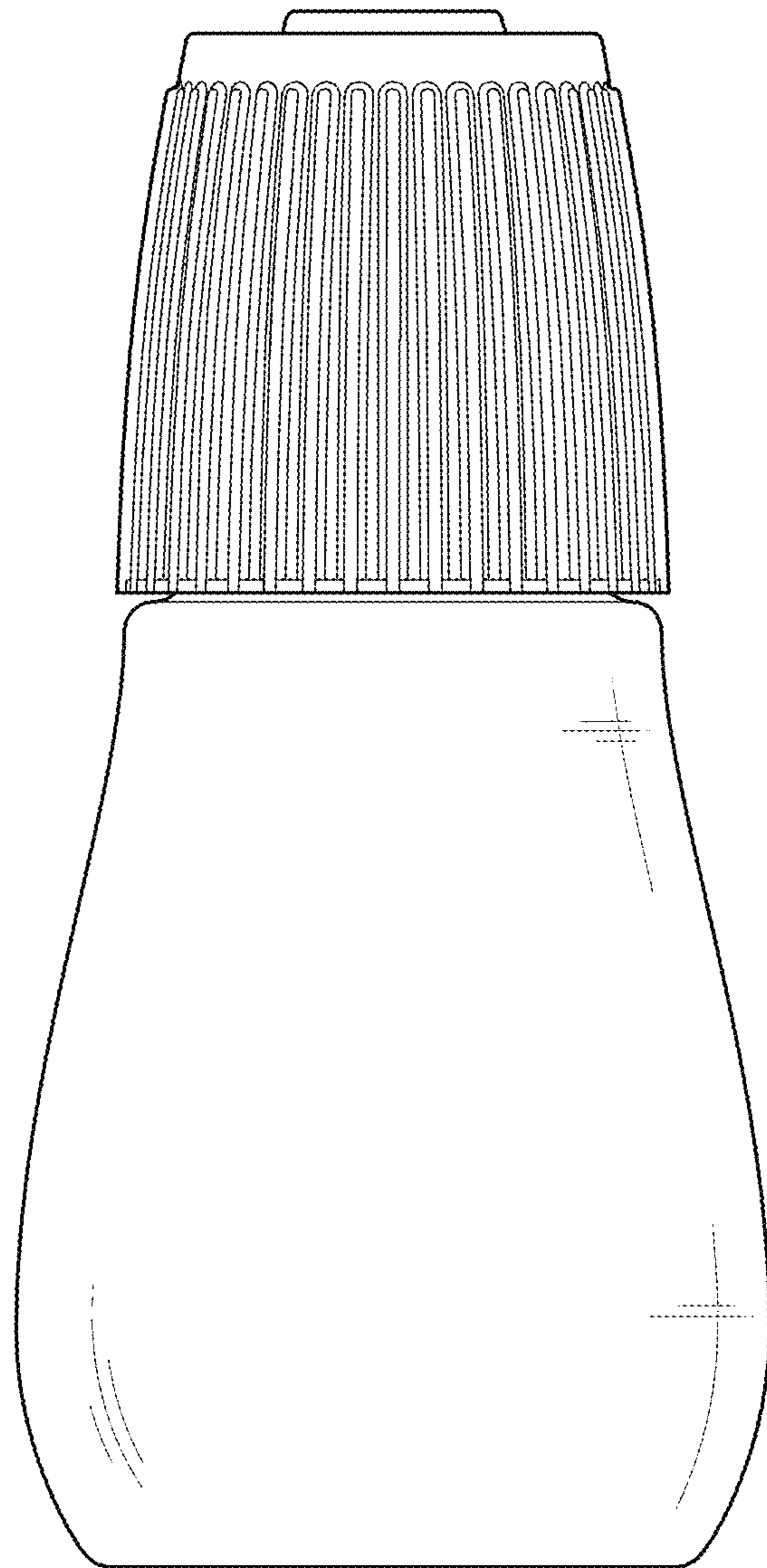


Fig. 4

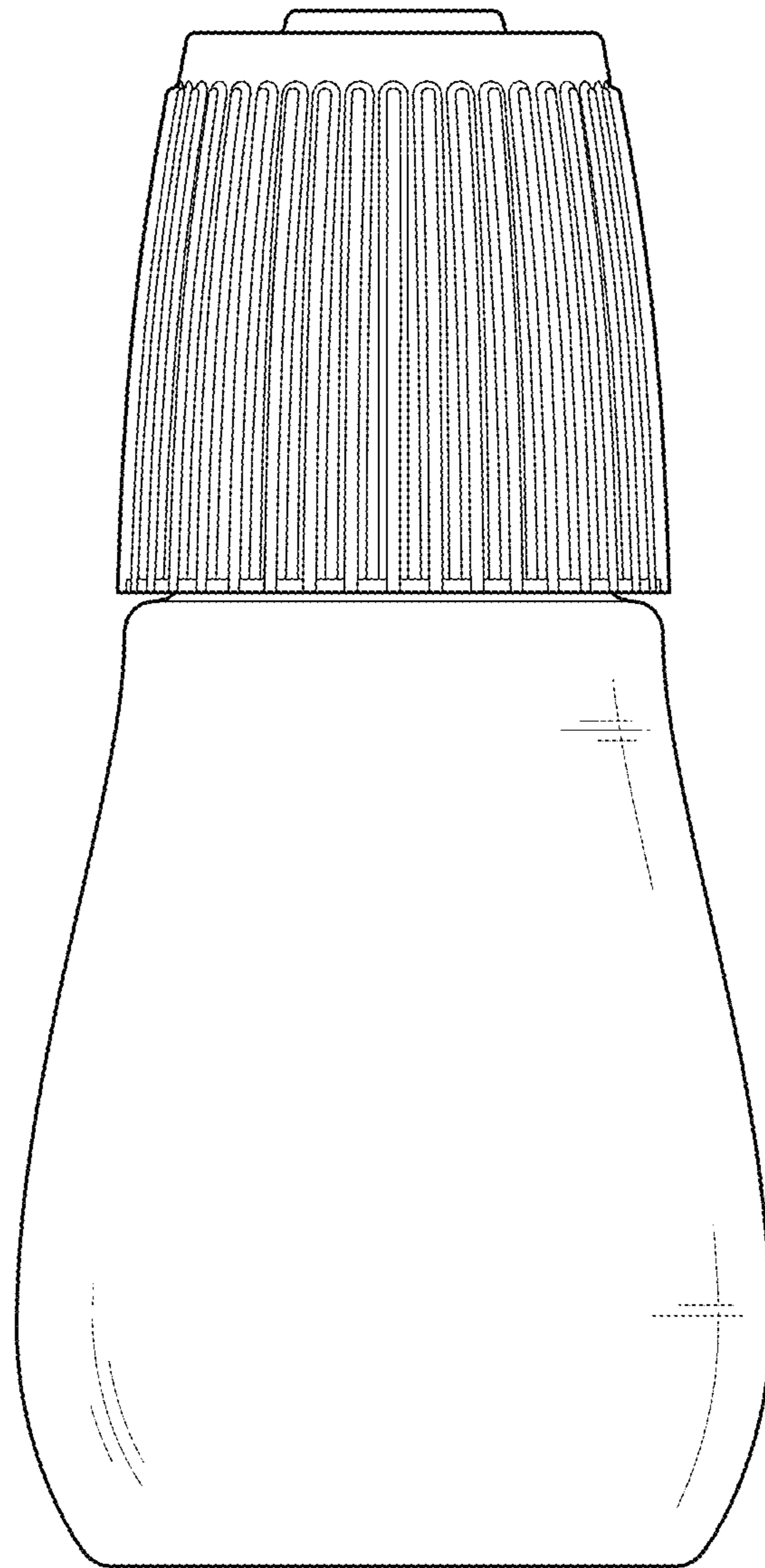


Fig. 5

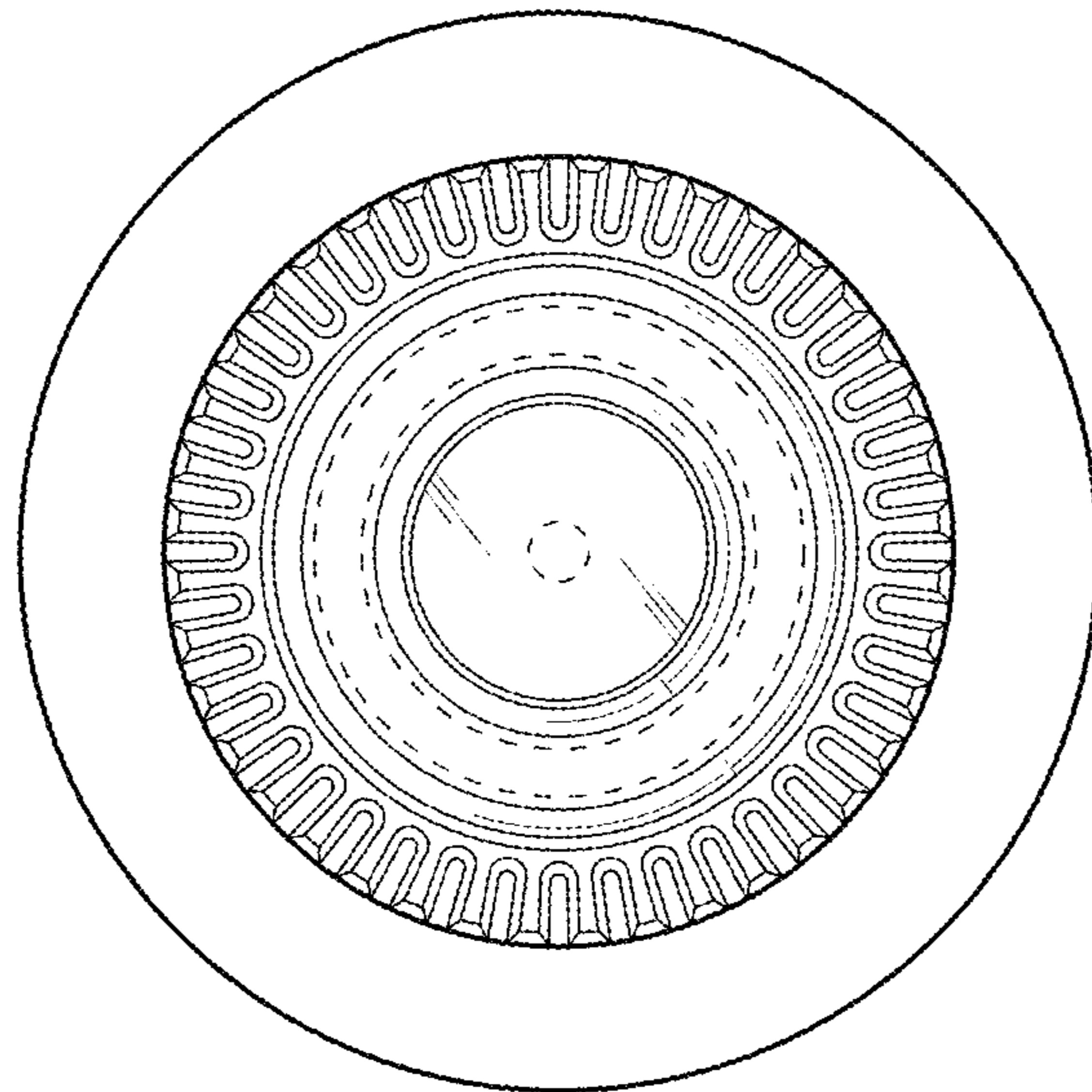


Fig. 6

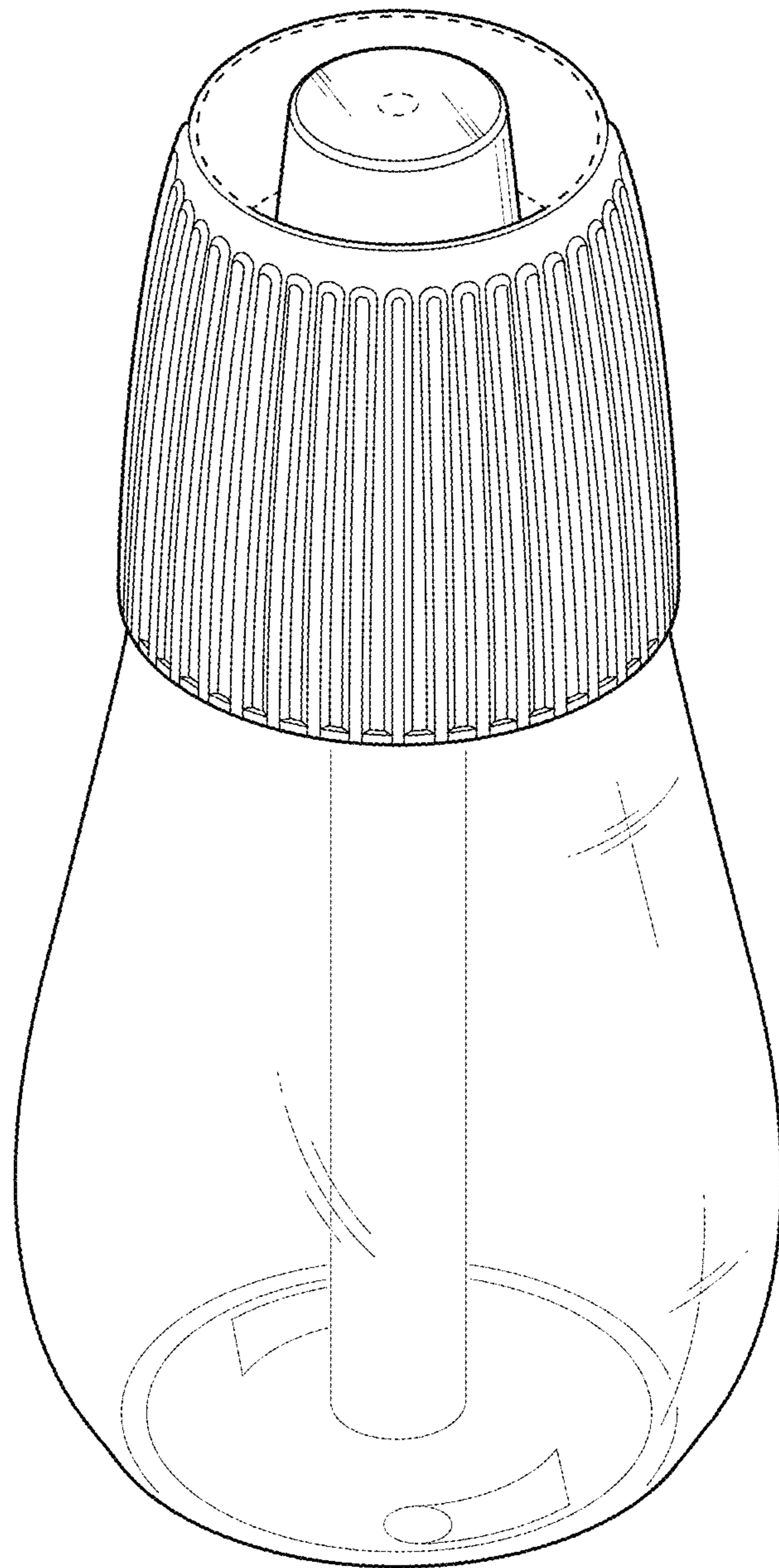


Fig. 7

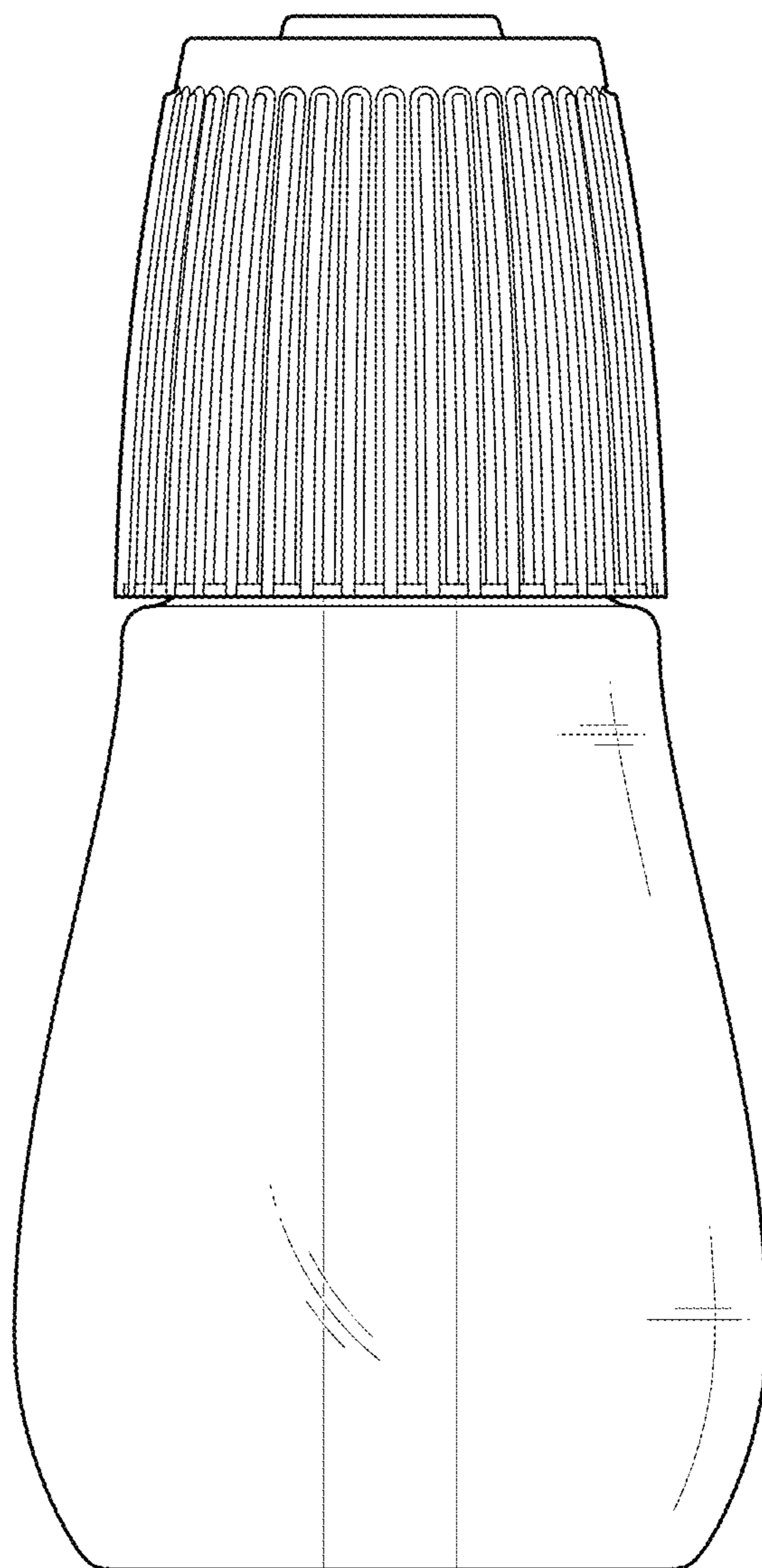


Fig. 8

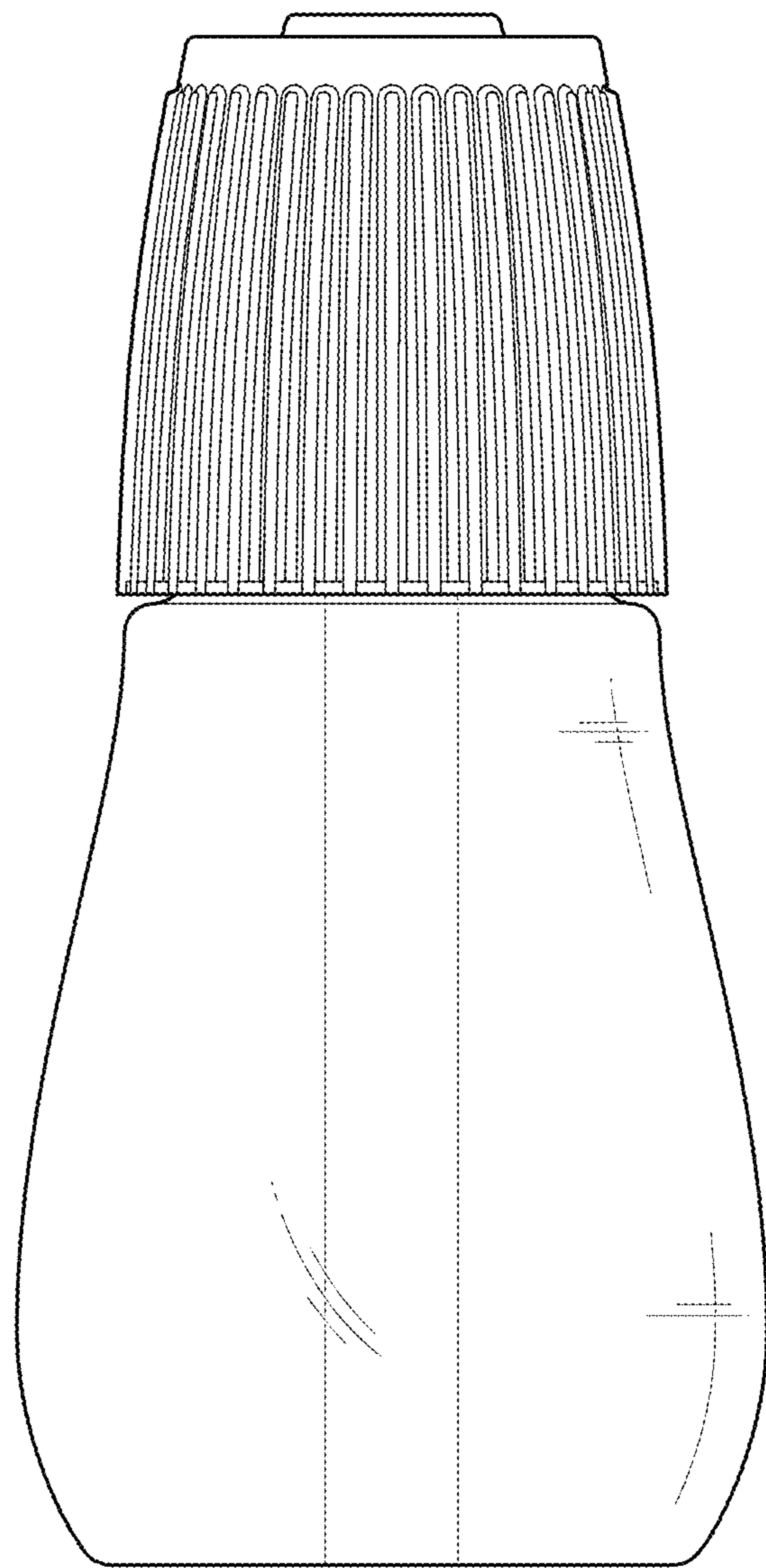


Fig. 9

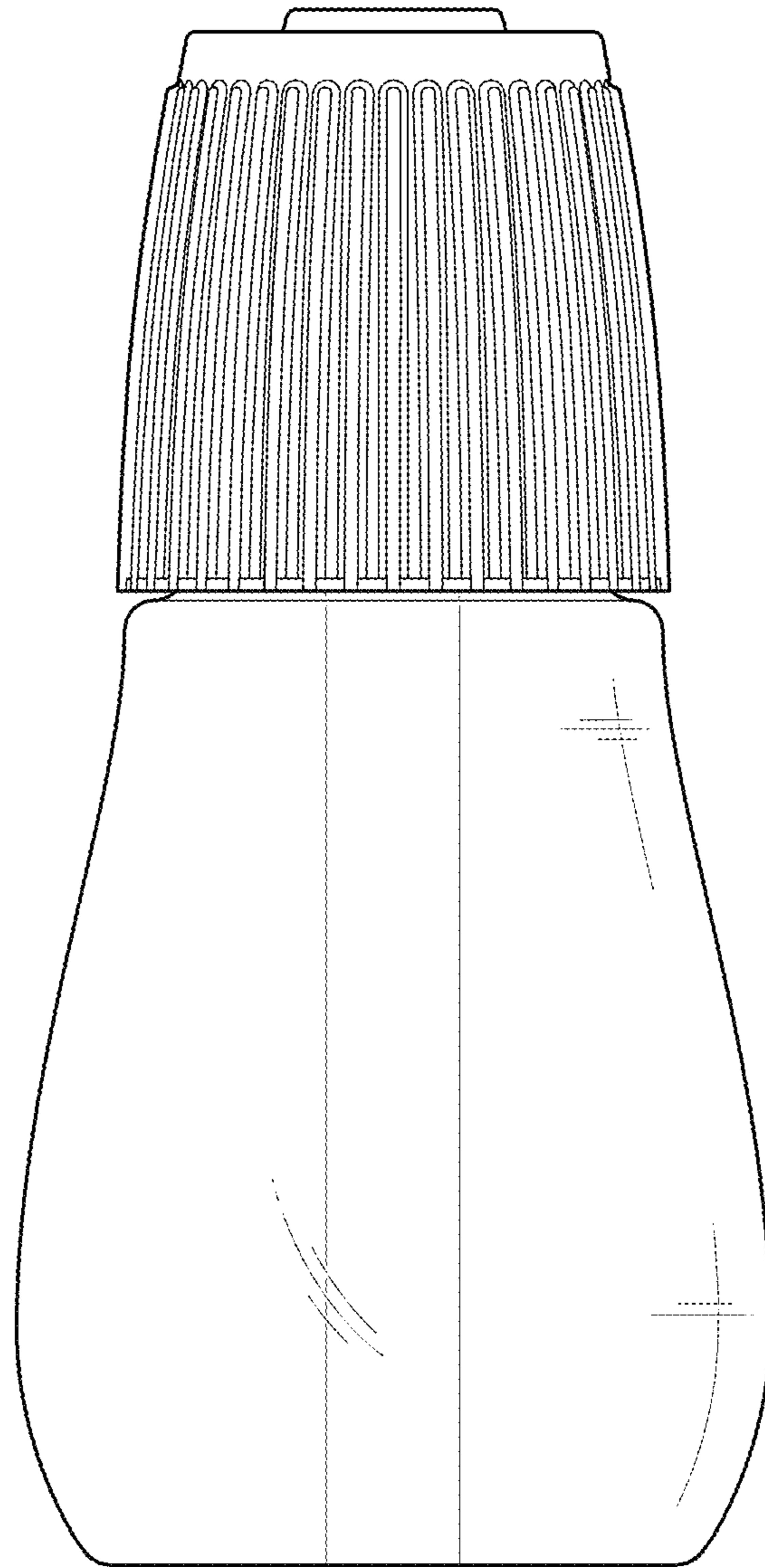


Fig. 10

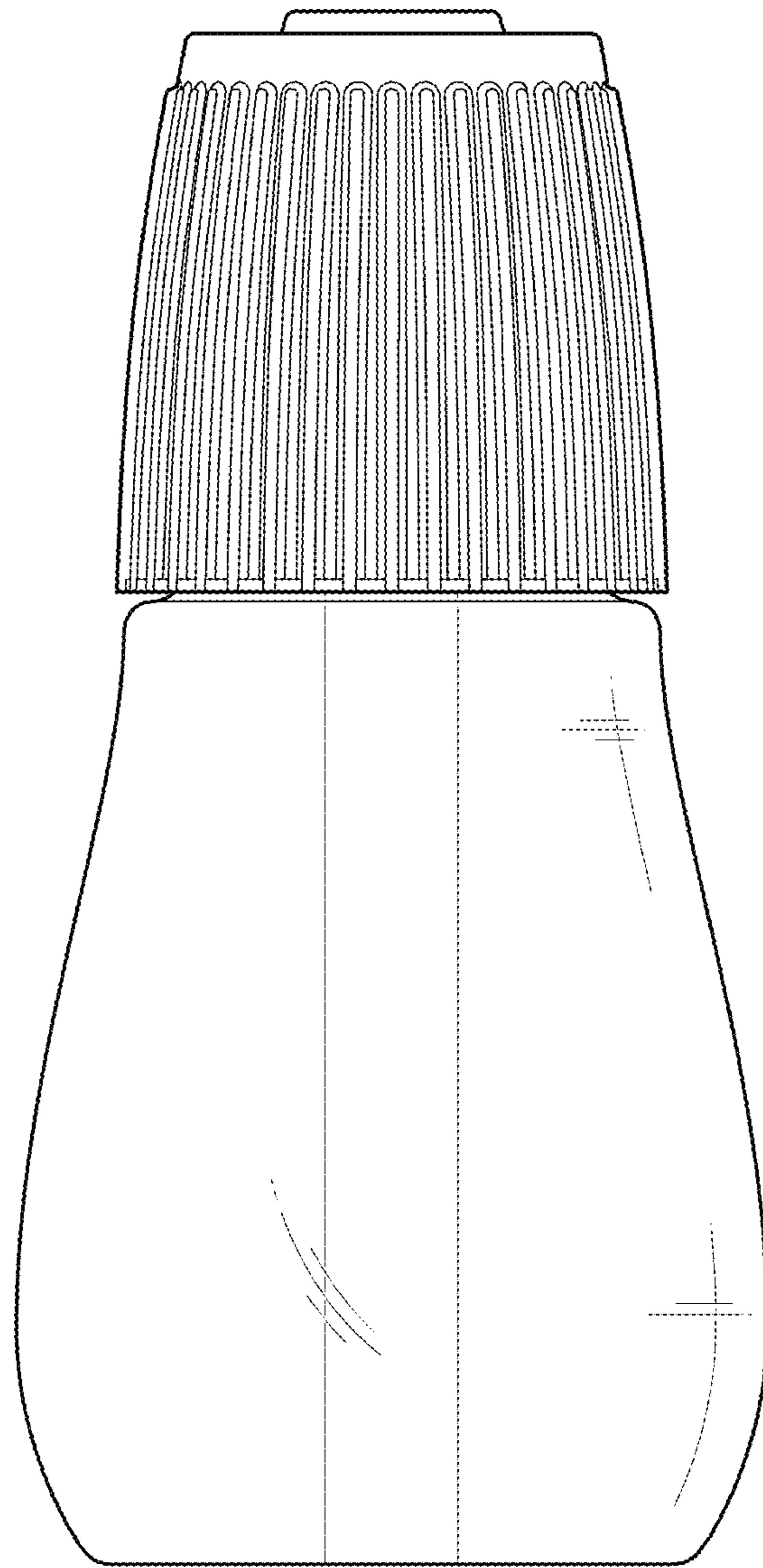


Fig. 11

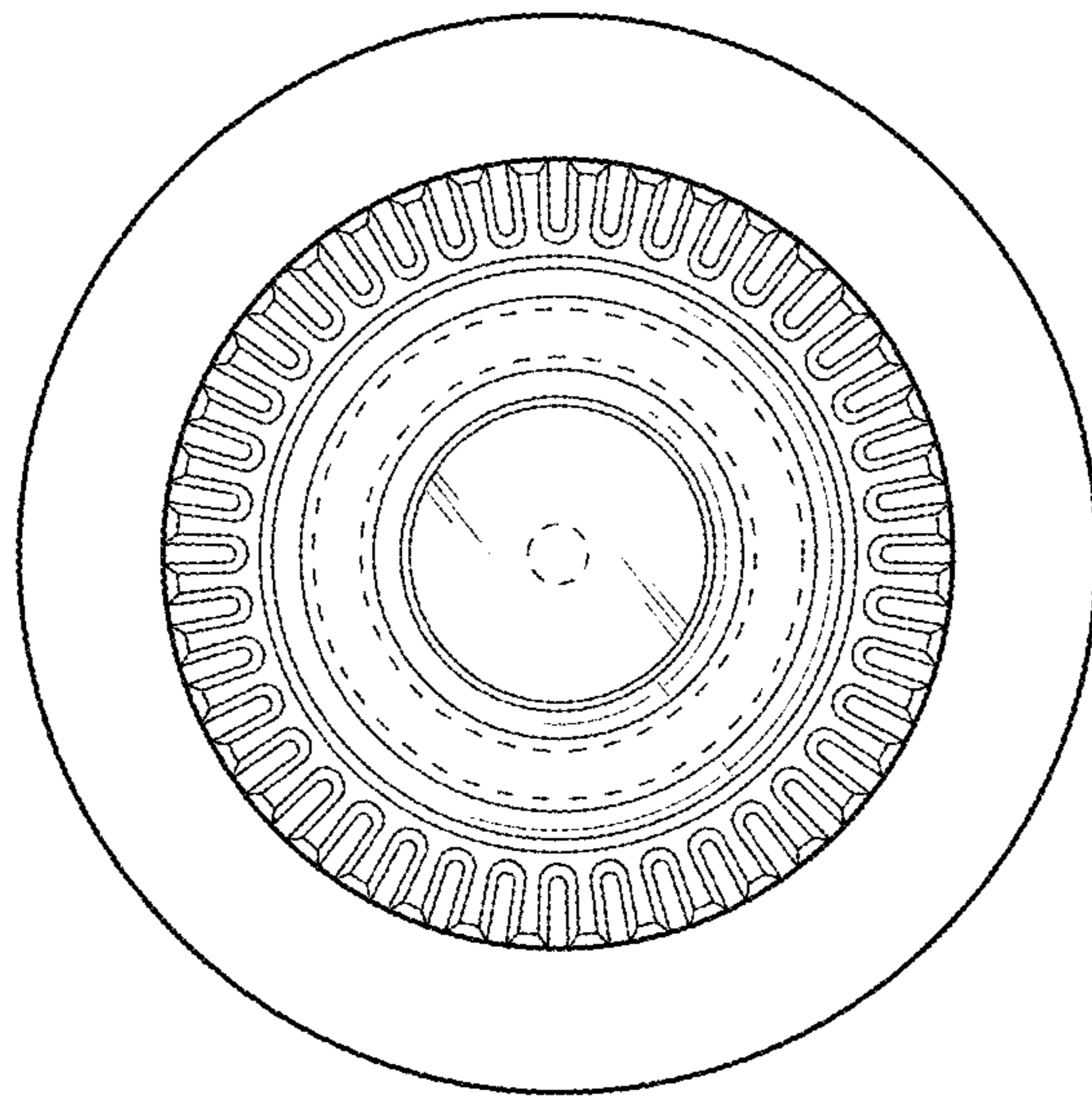


Fig. 12