



US00D833874S

(12) **United States Design Patent**
Harrison et al.

(10) **Patent No.:** **US D833,874 S**

(45) **Date of Patent:** **** Nov. 20, 2018**

(54) **REFILL BOTTLE**

(71) Applicant: **Reckitt Benckiser (Brands) Limited**,
Slough, Berkshire (GB)

(72) Inventors: **Jostyn Logan Harrison**, Slough (GB);
Jesse John Horne, Warwick (GB);
David Sanders, Warwick (GB)

(73) Assignee: **RECKITT BENCKISER (BRANDS)**
LIMITED, Slough, Berkshire (GB)

(**) Term: **15 Years**

(21) Appl. No.: **29/584,163**

(22) Filed: **Nov. 11, 2016**

(30) **Foreign Application Priority Data**

Jun. 16, 2016 (EP) 003226364

(51) **LOC (11) Cl.** **09-01**

(52) **U.S. Cl.**
USPC **D9/500; D9/435; D9/447; D9/503;**
D23/366

(58) **Field of Classification Search**

USPC D9/434-436, 439-440, 447, 449, 454,
D9/500, 503-505, 516, 530, 537, 539,
D9/549, 558, 715, 719, 723-724;
D4/116; D7/679; D23/366
CPC B65D 1/00; B65D 1/02; B65D 1/0223;
B65D 23/00; B65D 81/00; B65D
2501/00; B65D 2501/0009
See application file for complete search history.

(56) **References Cited**

U.S. PATENT DOCUMENTS

2,717,727 A * 9/1955 Robb B65D 47/261
222/212
3,381,860 A * 5/1968 Armour B05B 11/043
222/211
D221,794 S * 9/1971 Livingston et al. D7/597

4,189,245 A * 2/1980 Bennett A45D 34/045
401/126
4,280,638 A * 7/1981 Keihm A47K 5/12
222/180
D270,238 S * 8/1983 Vilval D9/447
5,165,965 A * 11/1992 Martin B41F 17/00
264/342 R
D355,119 S * 2/1995 Zimmermann D9/440
5,667,107 A * 9/1997 Lindsey B65D 23/003
222/173

(Continued)

FOREIGN PATENT DOCUMENTS

WO DM/078193 * 4/2012

Primary Examiner — Dana Meyrow

(74) *Attorney, Agent, or Firm* — Norris McLaughlin &
Marcus PA

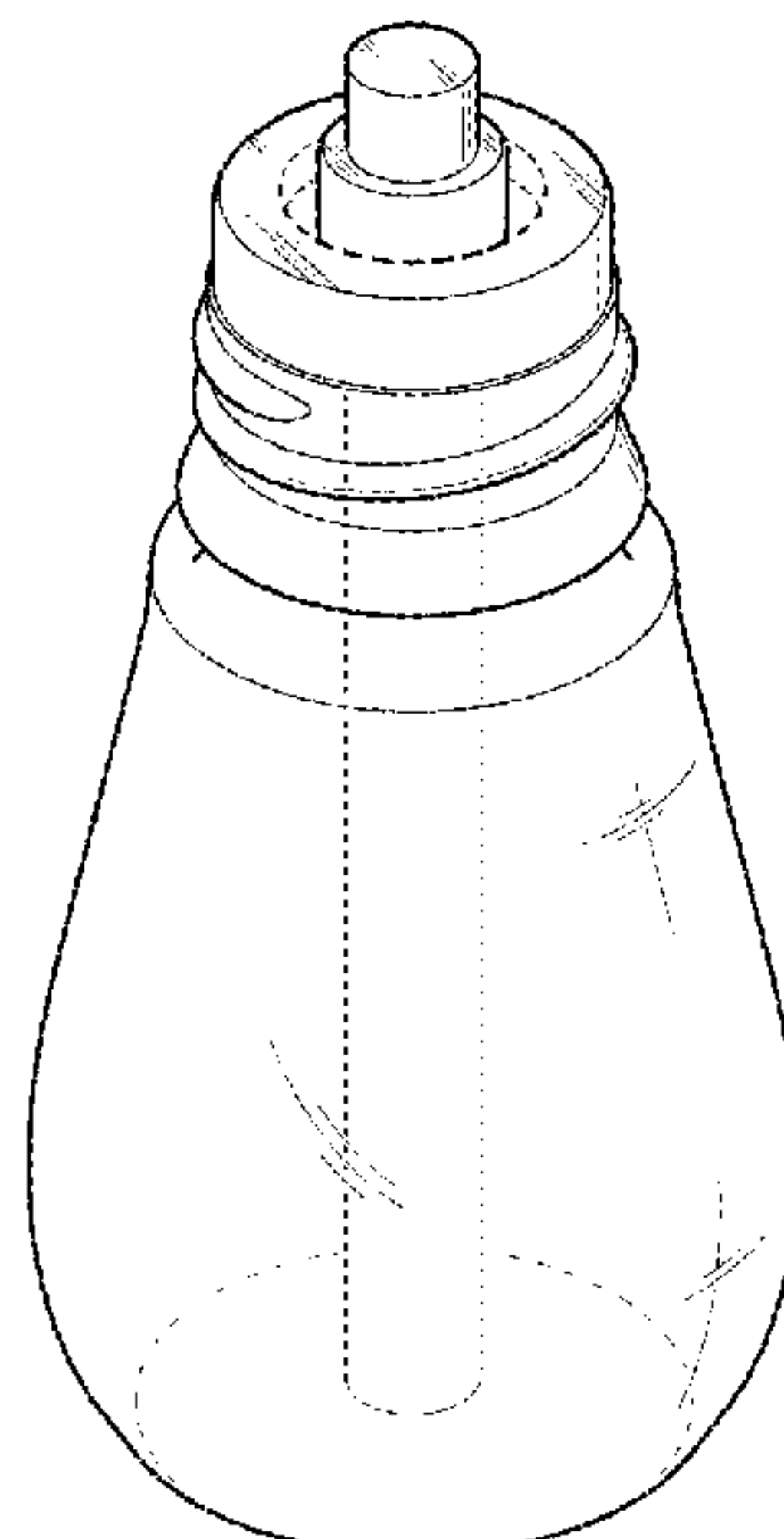
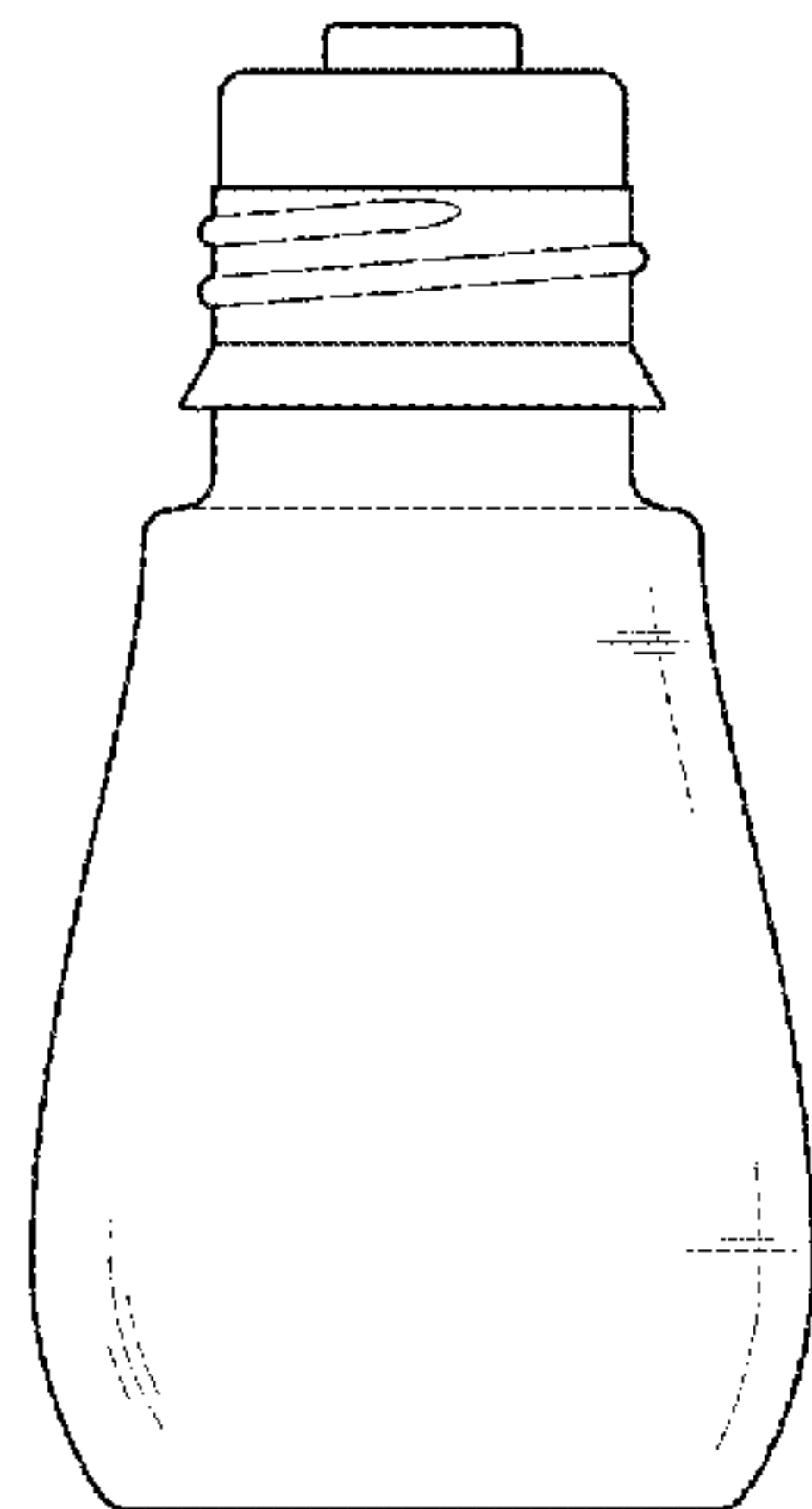
(57) **CLAIM**

The ornamental design for a refill bottle, as shown and described.

DESCRIPTION

FIG. 1 is a top, front perspective view of a first embodiment of a refill bottle;
FIG. 2 is a front elevation view thereof;
FIG. 3 is a rear elevation view thereof;
FIG. 4 is a first side elevation view thereof;
FIG. 5 is a second side elevation view thereof;
FIG. 6 is a top plan view thereof;
FIG. 7 is a top, front perspective view of a second embodiment of a refill bottle;
FIG. 8 is a front elevation view thereof;
FIG. 9 is a rear elevation view thereof;
FIG. 10 is a first side elevation view thereof;
FIG. 11 is a second side elevation view thereof; and,
FIG. 12 is a top plan view thereof.
The broken lines in the drawings illustrate the portions of the refill bottle that form no part of the claim.

1 Claim, 12 Drawing Sheets



(56)

References Cited

U.S. PATENT DOCUMENTS

D491,469	S	*	6/2004	Horie	D9/529
D501,359	S	*	2/2005	Bodum	D7/392
D507,188	S	*	7/2005	Chen	D9/686
D582,767	S	*	12/2008	Batton	D9/447
D596,487	S	*	7/2009	Batton	D9/447
D619,460	S	*	7/2010	Beckerman	D9/500
D643,296	S	*	8/2011	Newton	D9/522
D646,572	S	*	10/2011	Koeleman	D9/500
8,087,547	B1	*	1/2012	Lindsey	B65D 35/56 222/1
D704,070	S	*	5/2014	Pires	D9/689
D719,448	S	*	12/2014	Pires	D9/504
D719,463	S	*	12/2014	Pires	D9/691
D731,315	S	*	6/2015	Pires	D9/503
D734,150	S	*	7/2015	Rigel	D9/440
D739,735	S	*	9/2015	Darling	D9/500
D751,394	S	*	3/2016	Chartier	D9/440
D754,544	S	*	4/2016	Darling	D9/503
D756,789	S	*	5/2016	Darling	D9/503
D757,551	S	*	5/2016	Pires	D9/503
D757,553	S	*	5/2016	Pires	D9/503
D758,865	S	*	6/2016	Pires	D9/503

* cited by examiner

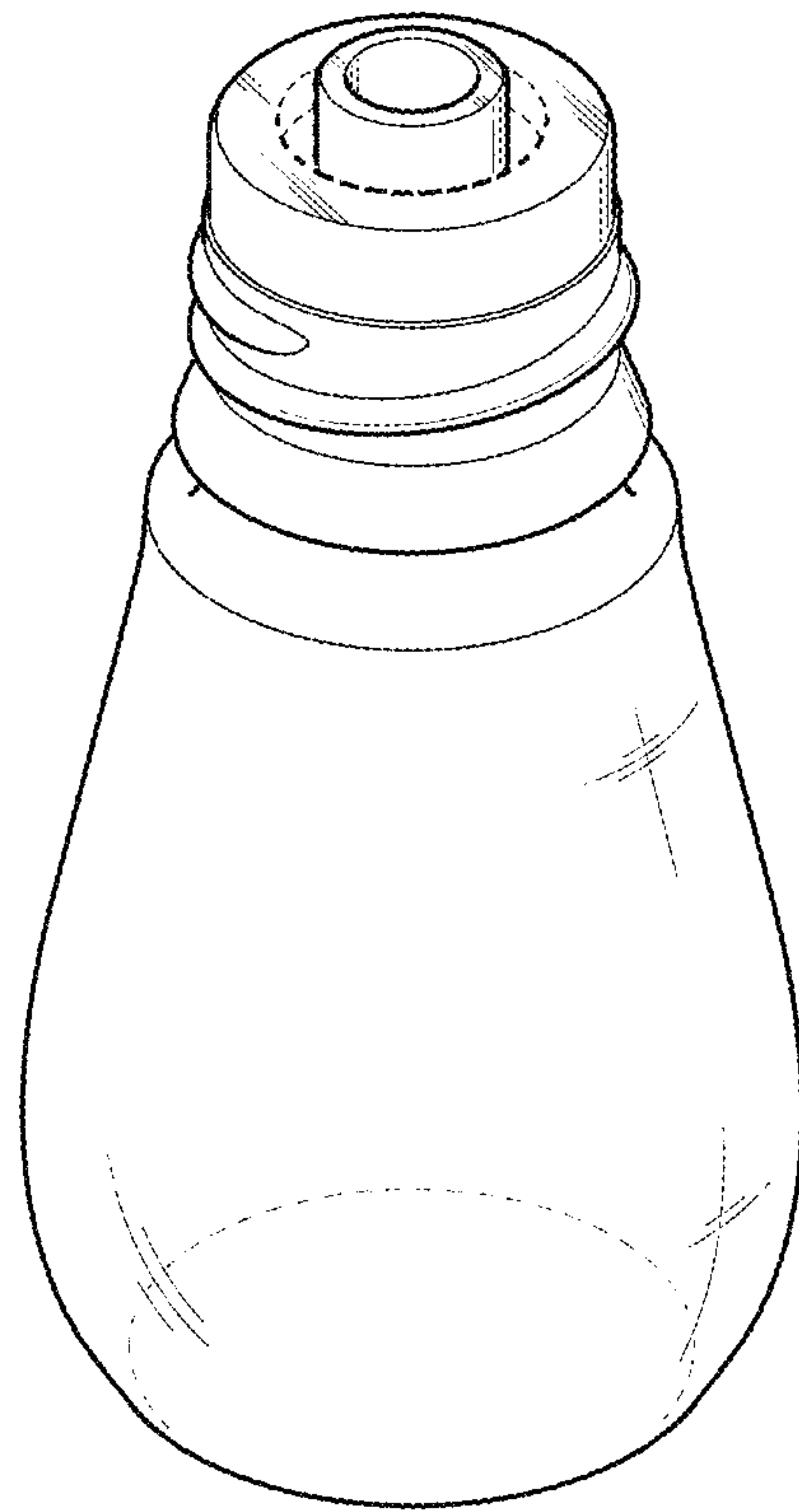


Fig. 1

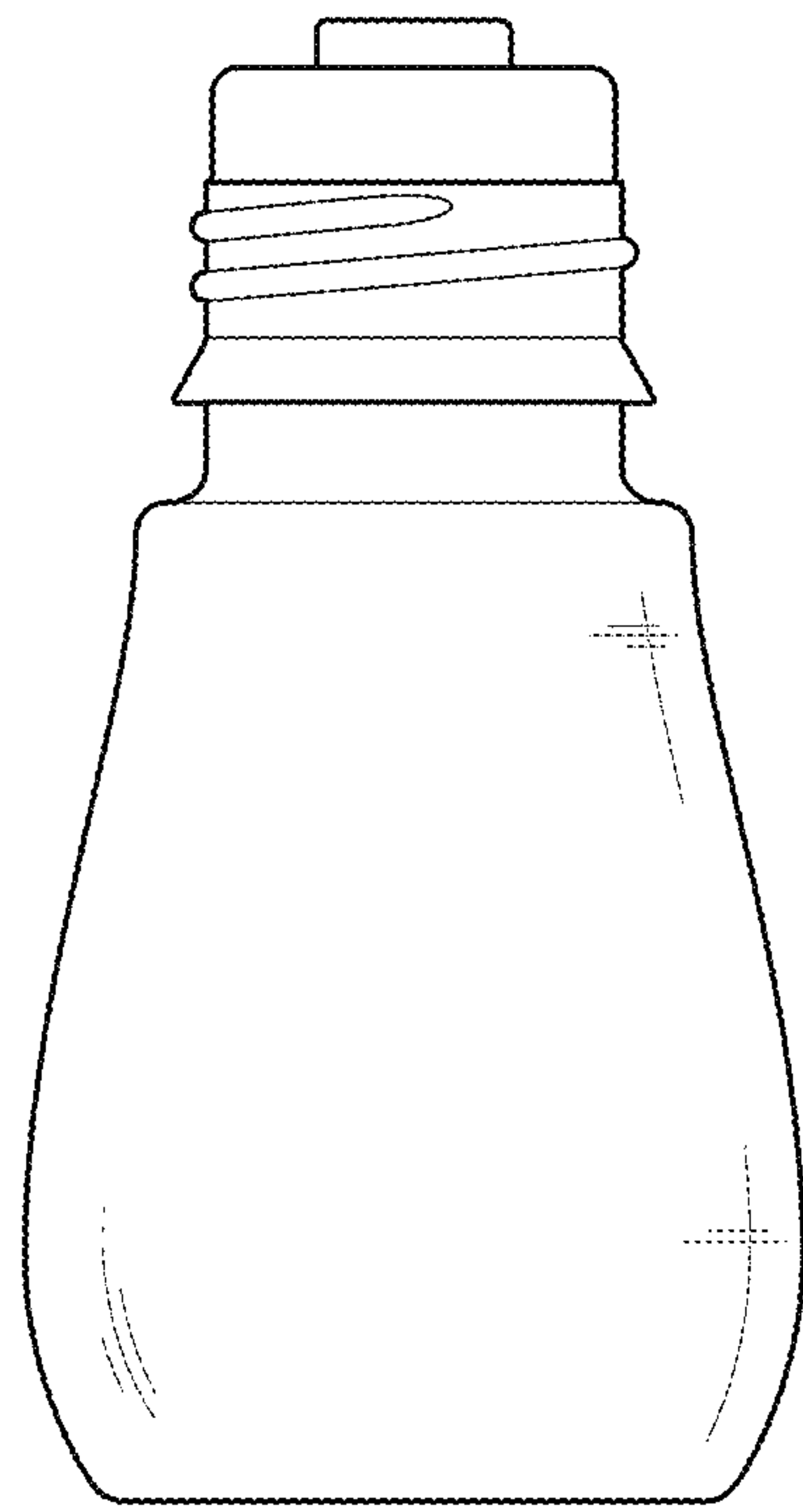


Fig. 2

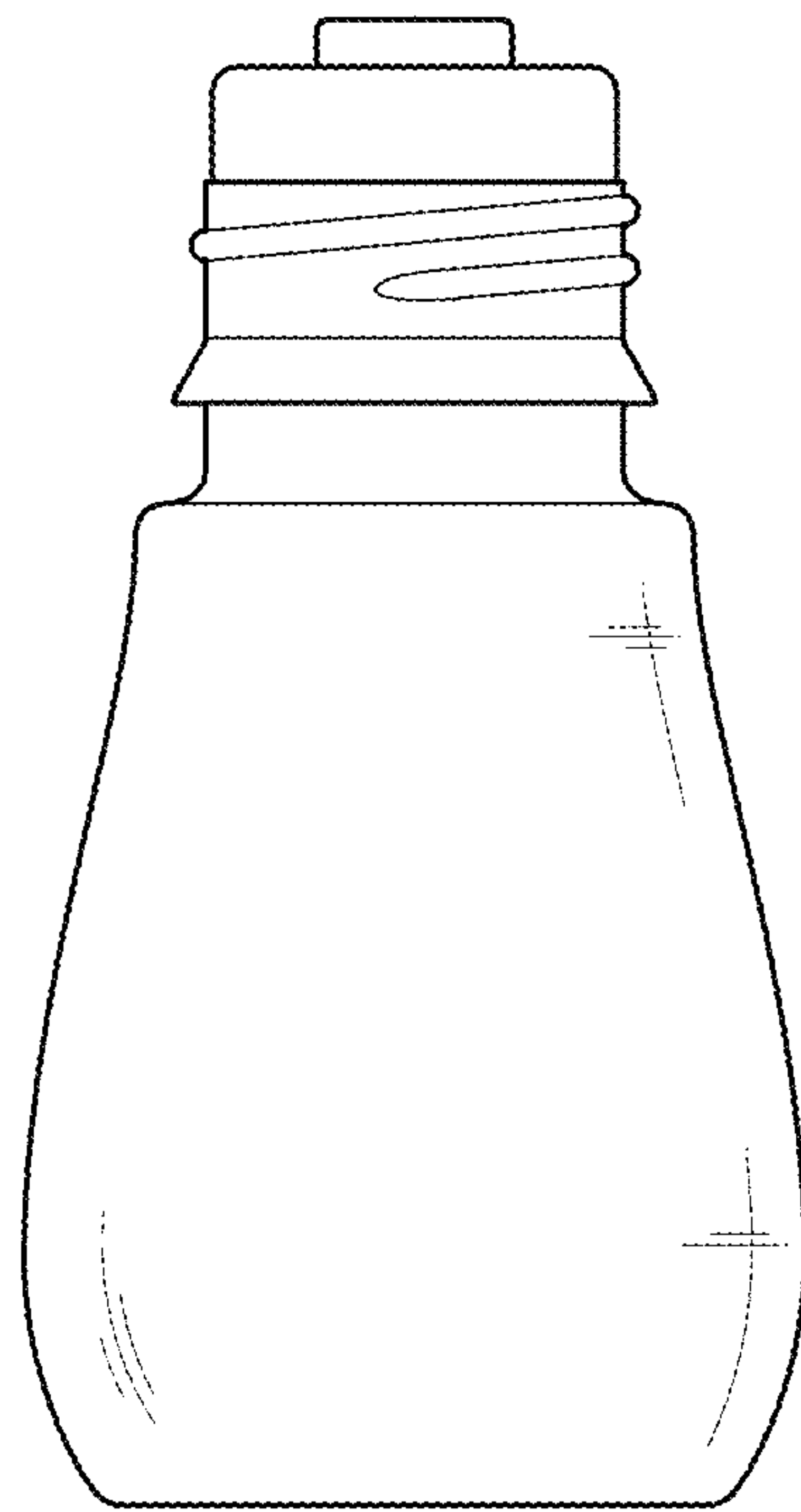


Fig. 3

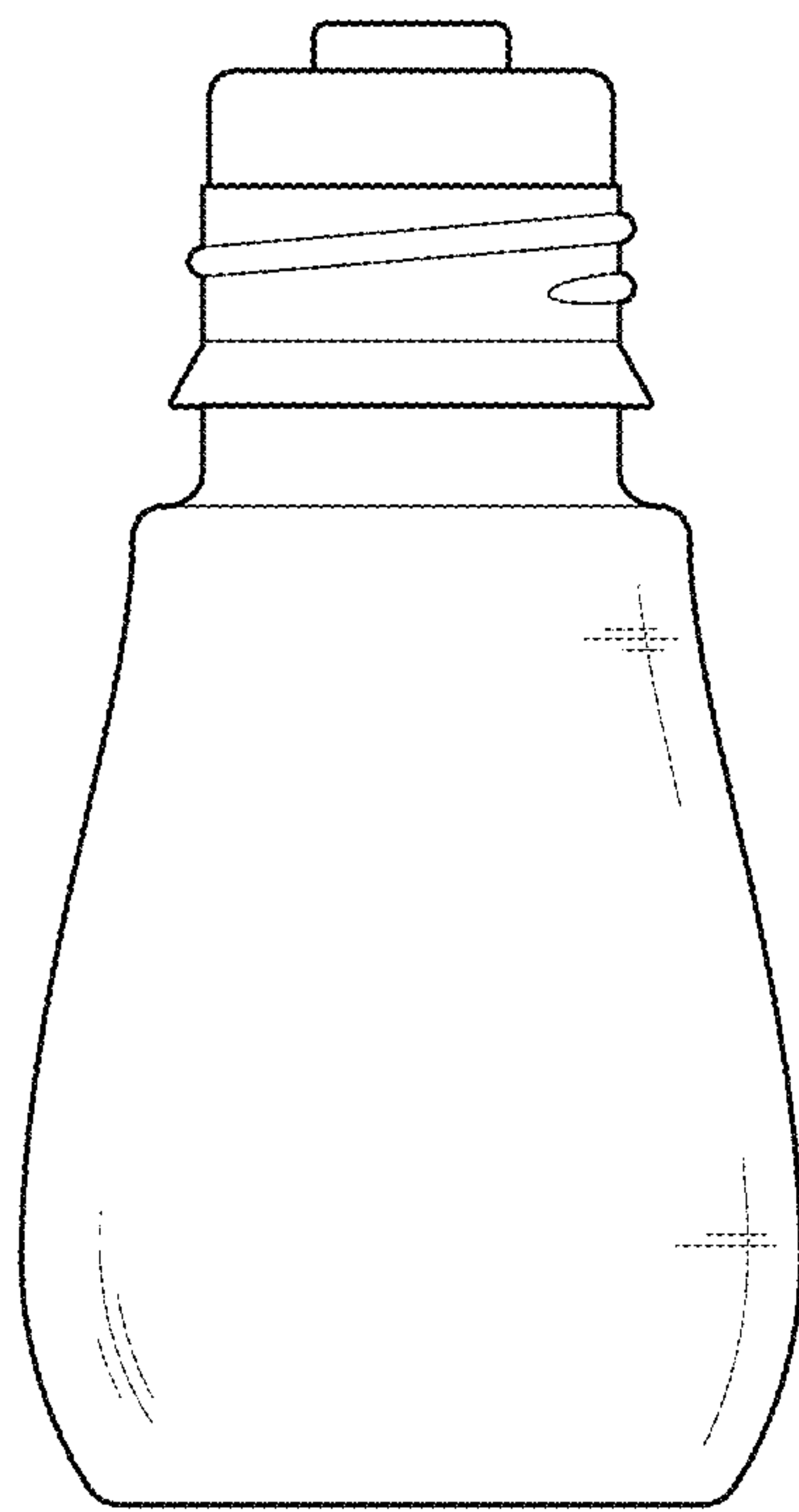


Fig. 4

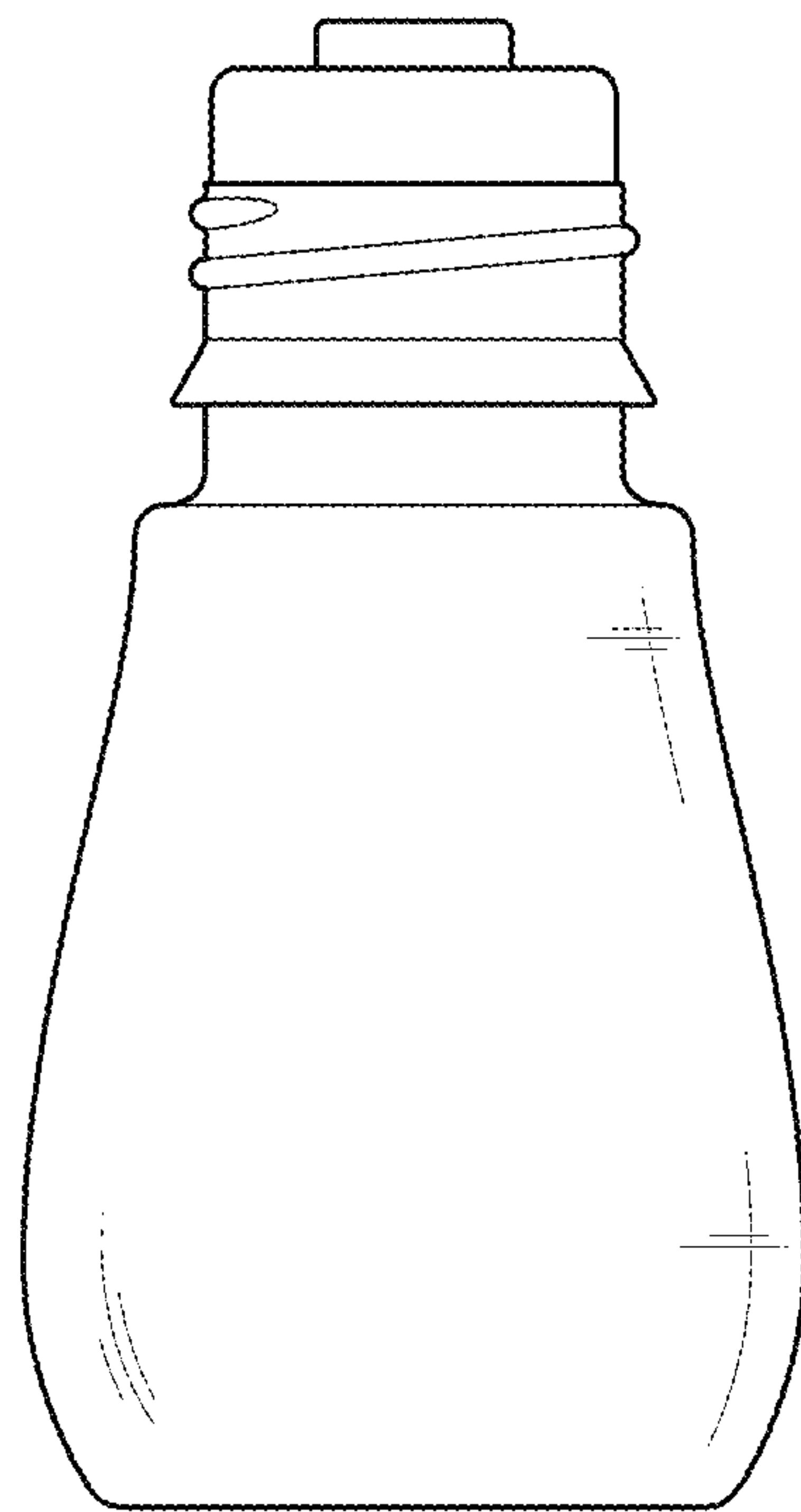


Fig. 5

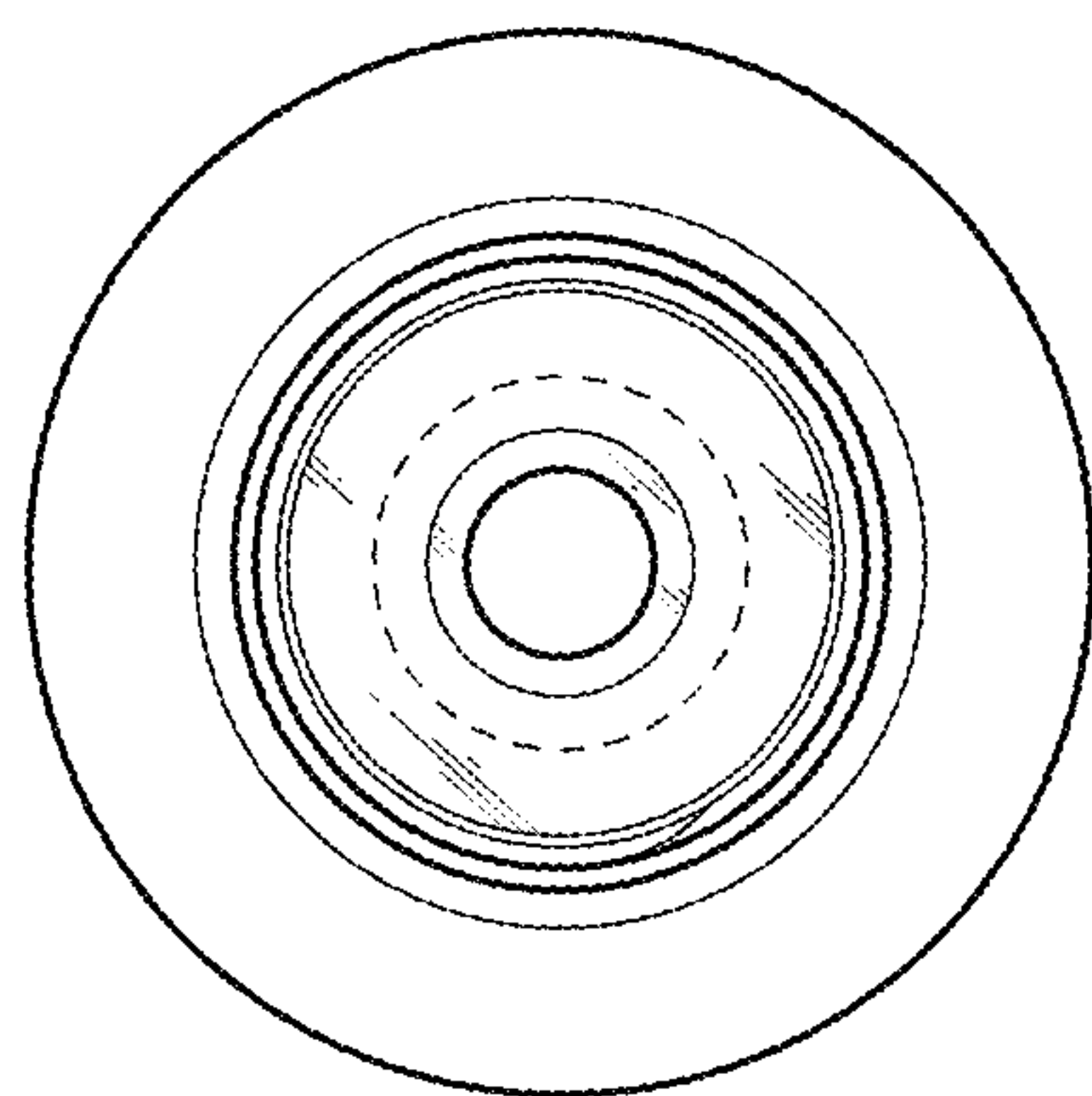


Fig. 6

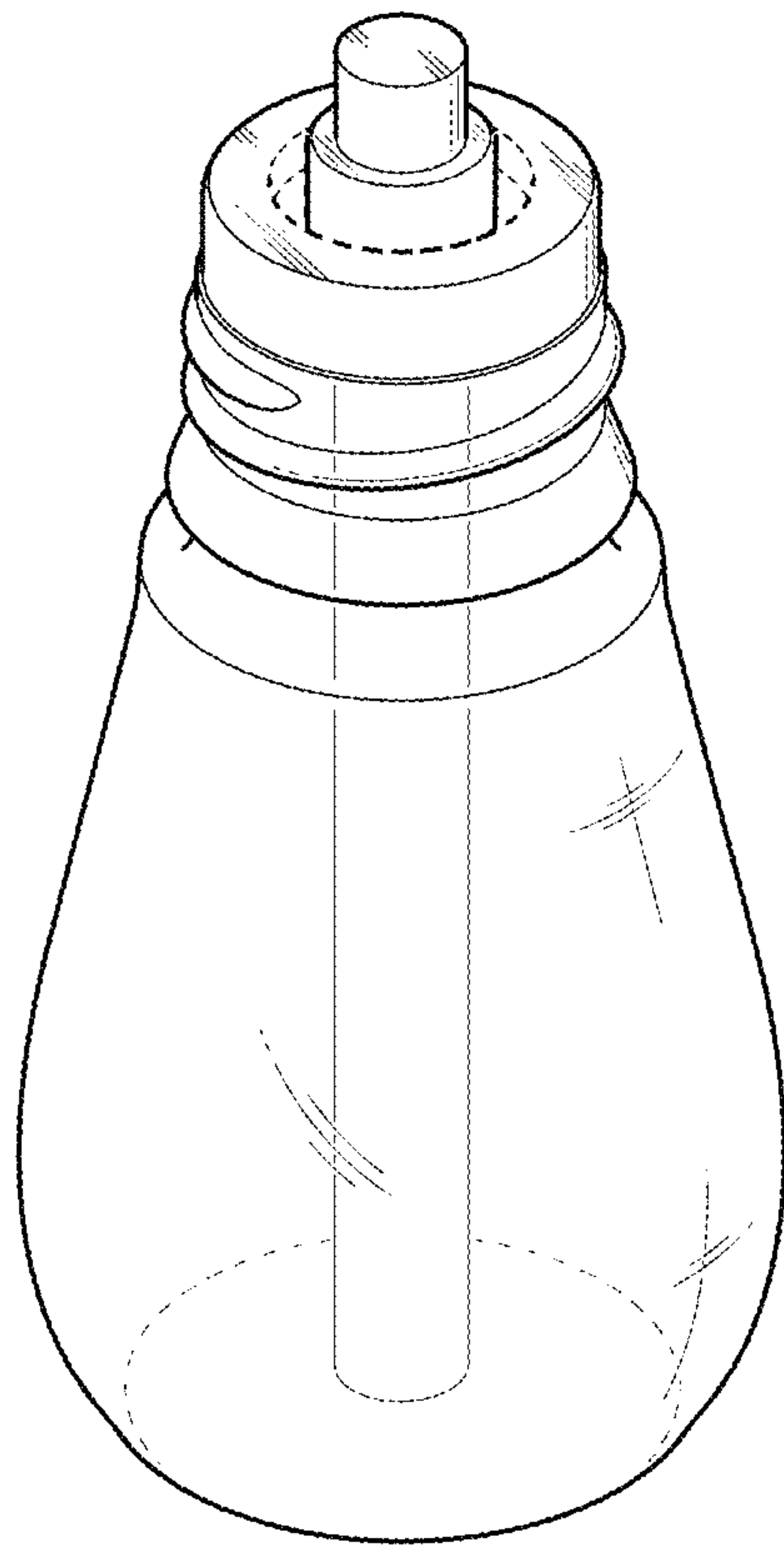


Fig. 7

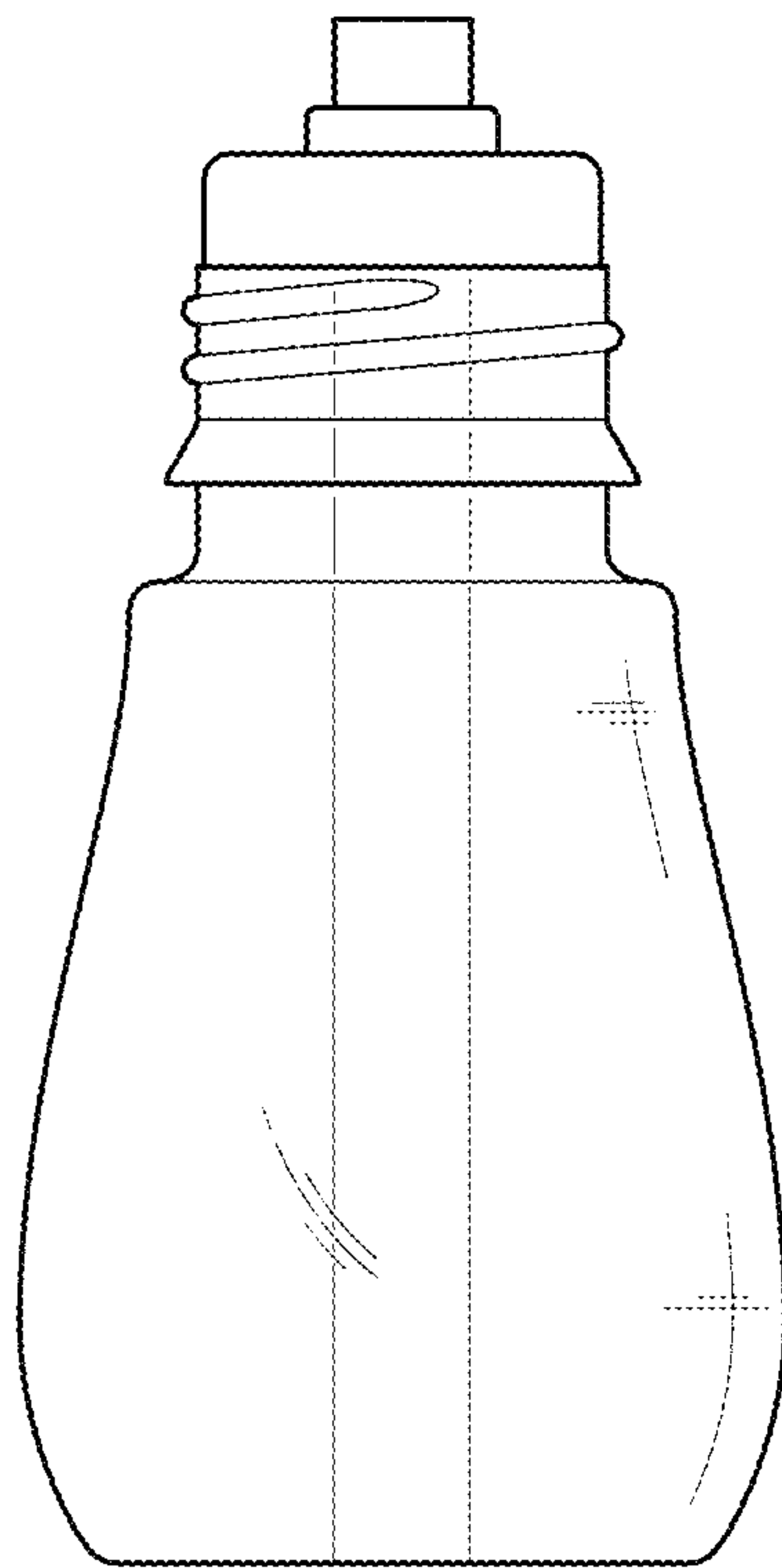


Fig. 8

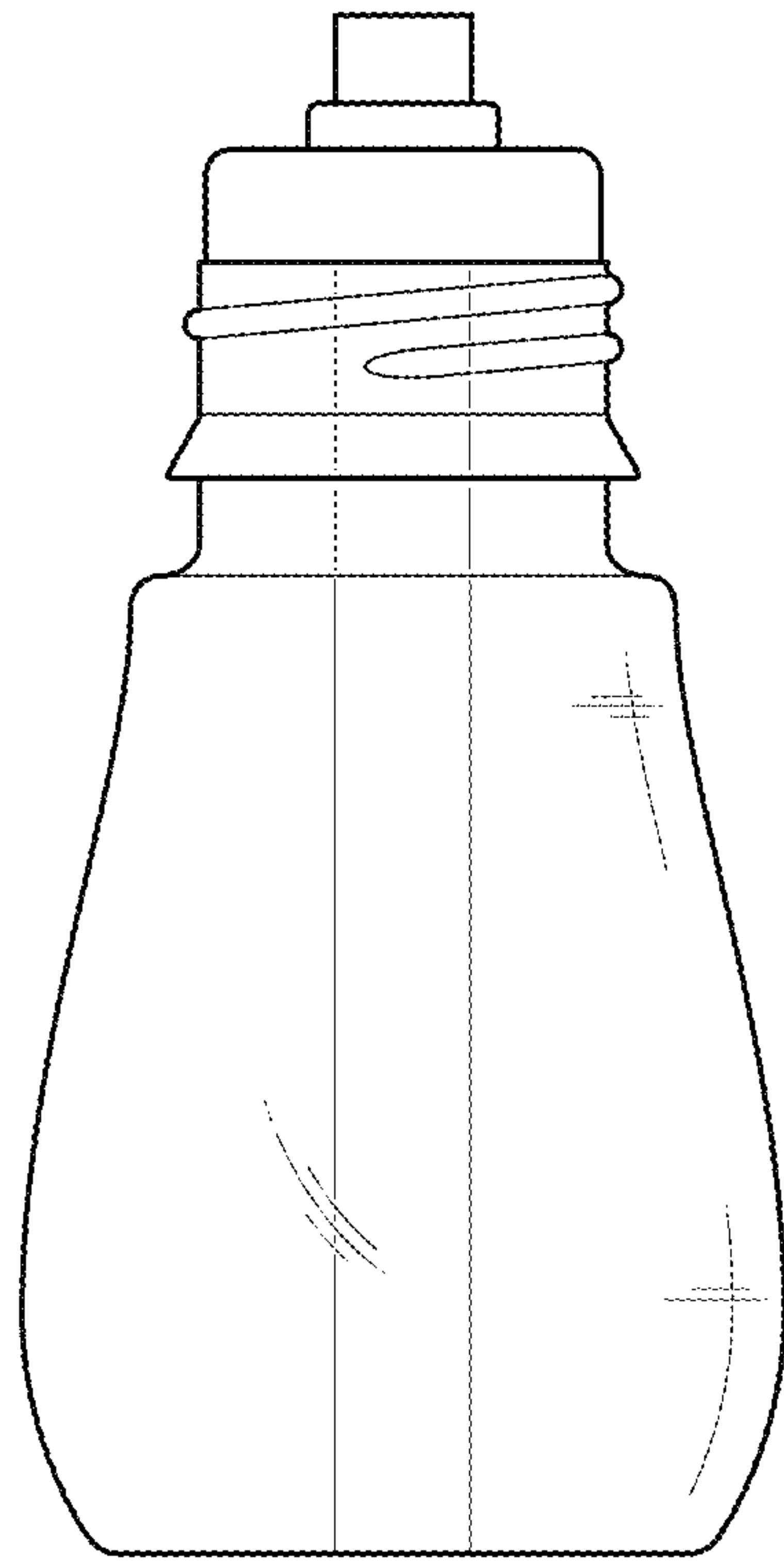


Fig. 9

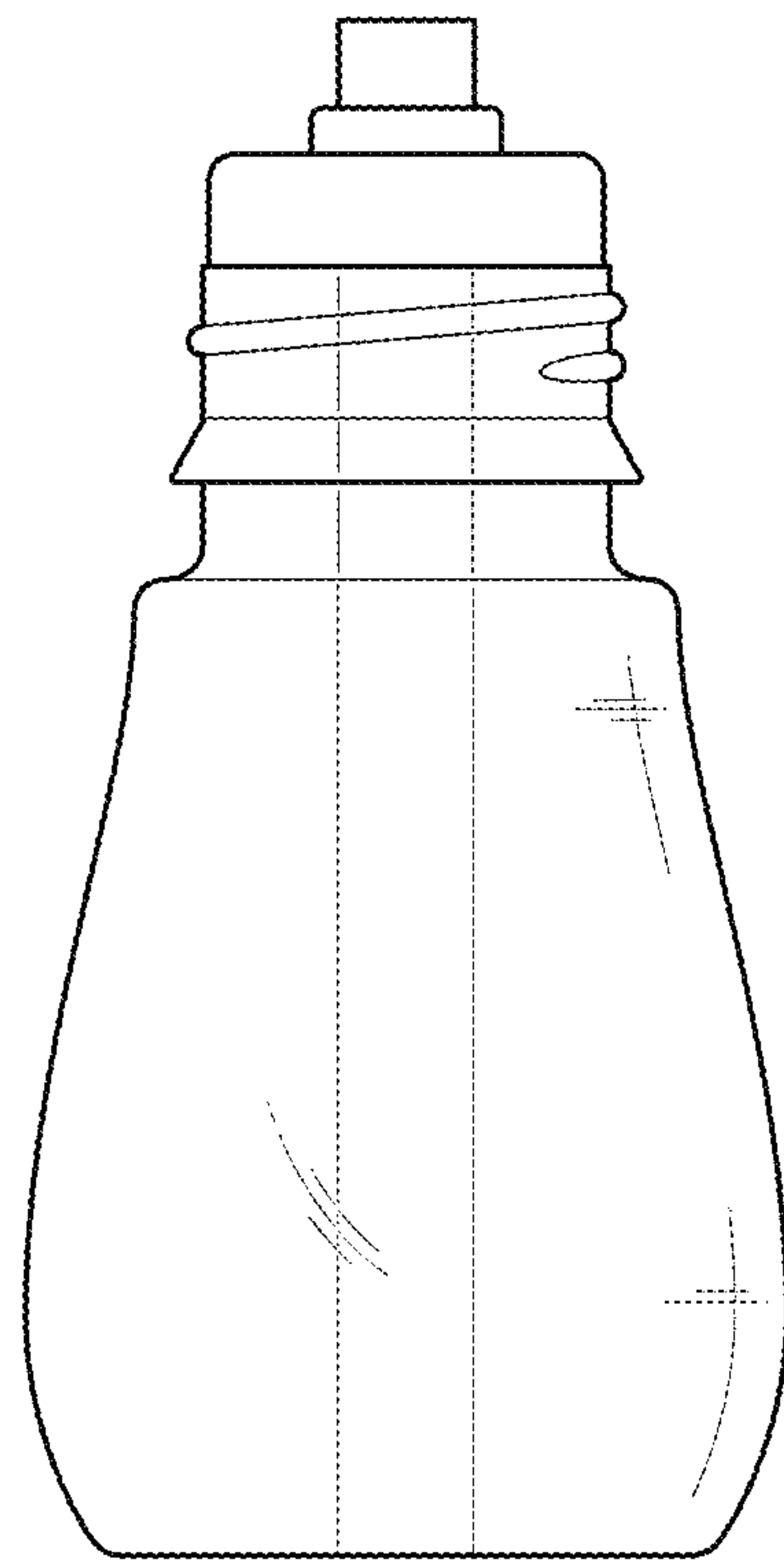


Fig. 10

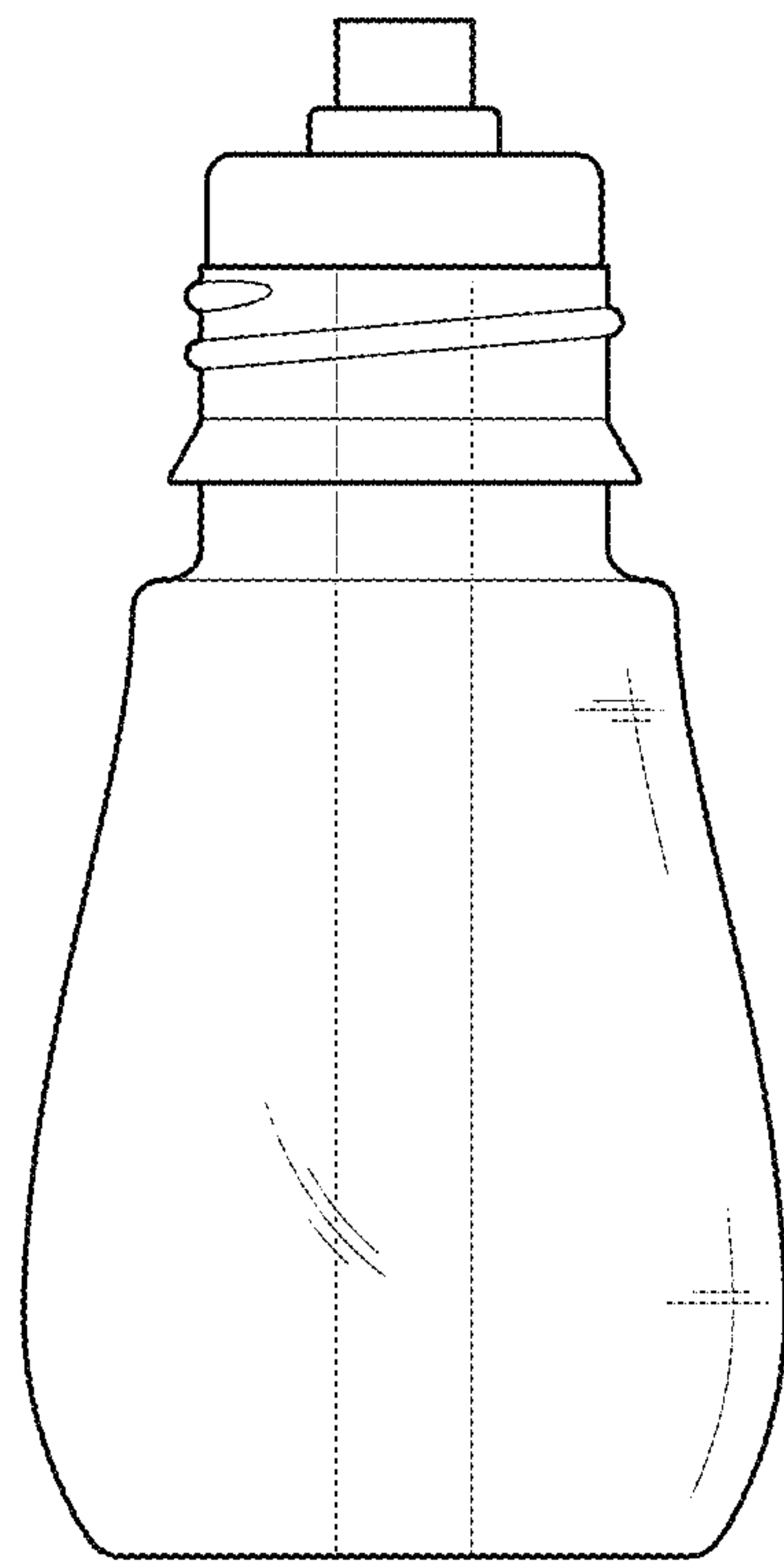


Fig. 11

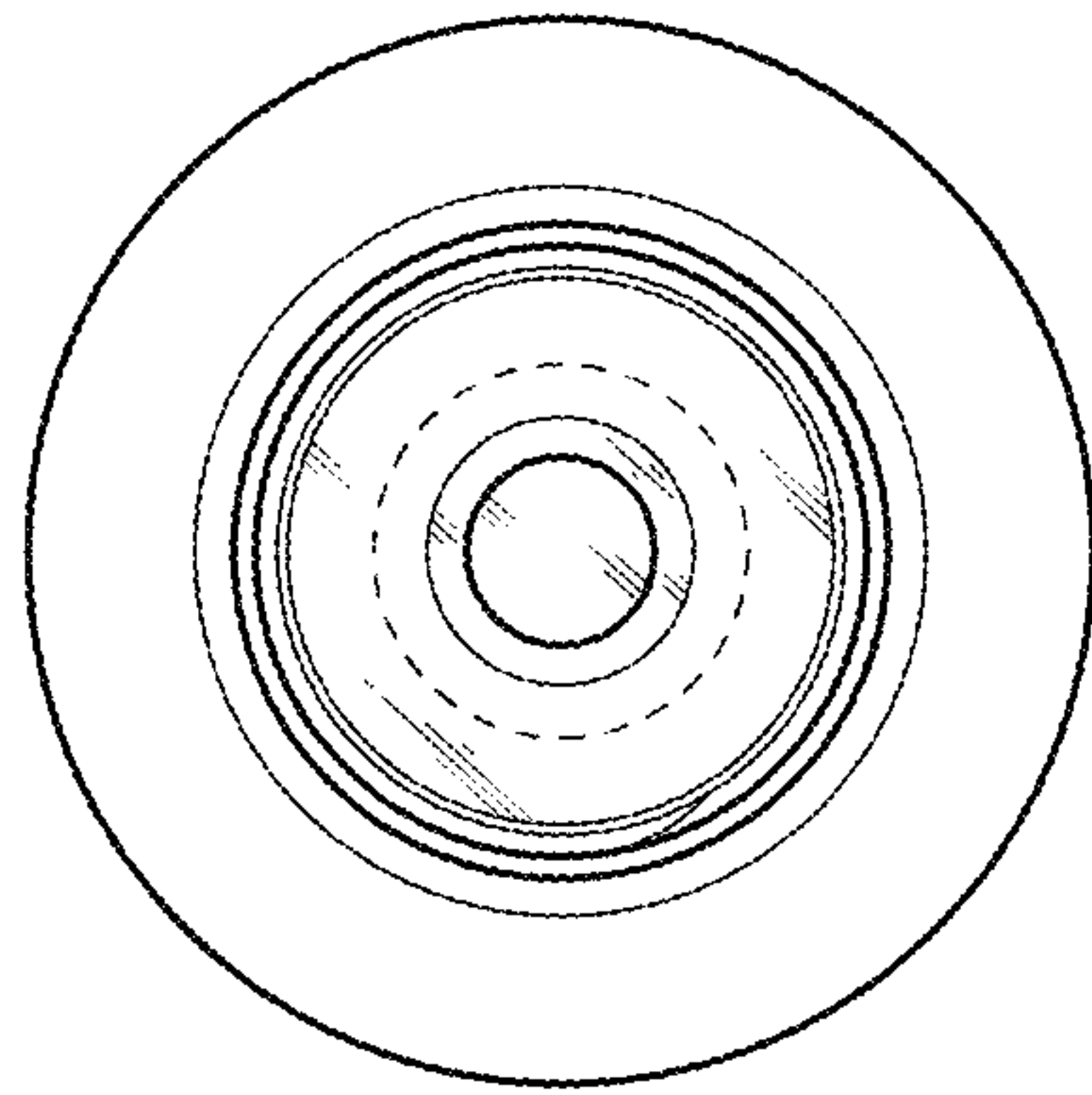


Fig. 12