



US00D833872S

(12) **United States Design Patent** (10) **Patent No.:** **US D833,872 S**
Lefebvre et al. (45) **Date of Patent:** **** Nov. 20, 2018**

(54) **CONTAINER LID**
(71) Applicant: **IPL INC.**, St-Damien (CA)
(72) Inventors: **Justin Lefebvre**, Quebec (CA);
Branden Wilbert, Lee's Summit, MO
(US); **Denis Lehouillier**, Levis (CA);
Frederic Hudon, Levis (CA)
(73) Assignee: **IPL INC.**, St-Damien (CA)
(**) Term: **15 Years**

4,044,484 A 8/1977 Ludder
D248,357 S * 7/1978 Daenen D7/505
D383,671 S * 9/1997 Phillips D7/629
D422,176 S * 4/2000 Laib D7/391
D429,640 S * 8/2000 Nielsen D9/435
D496,560 S 9/2004 Lerner
D501,636 S * 2/2005 Melhede D9/428
D529,802 S * 10/2006 Jelich D9/449
D547,115 S * 7/2007 Bouveret D7/392.1
D563,157 S * 3/2008 Bouveret D7/392.1
D564,287 S 3/2008 Bouveret et al.
D584,145 S * 1/2009 Young D9/435

(Continued)

(21) Appl. No.: **29/600,579**
(22) Filed: **Apr. 13, 2017**

Related U.S. Application Data

(62) Division of application No. 29/548,422, filed on Dec. 14, 2015, now Pat. No. Des. 794,459.
(51) **LOC (11) Cl.** **09-07**
(52) **U.S. Cl.**
USPC **D9/454**; D9/435
(58) **Field of Classification Search**
USPC D7/391, 392, 392.1, 396.1, 213, 387,
D7/396.3, 541, 546, 549, 554.2, 554.3,
D7/601, 602, 605, 701, 703, 705;
D9/434-436, 438, 443, 447, 455-457,
D9/499, 414, 418, 420, 423, 424, 426,
D9/428, 430, 432, 440, 444, 446, 449,
D9/453, 703, 715-718, 721; D3/202,
D3/212, 294, 295, 318
CPC B65D 5/64; B65D 43/0204; B65D
2543/00092; B65D 2543/00296
See application file for complete search history.

(56) **References Cited**

U.S. PATENT DOCUMENTS

D204,407 S * 4/1966 Imhoff D7/391
3,447,714 A 6/1969 Elliot

OTHER PUBLICATIONS

StanPac. Ice Cream Packaging. 2018 [earliest online date], [site visited Feb. 13, 2018]. Available from internet, <URL:http://www.stanpacnet.com/product_info/ice-cream-packaging/>. (Year: 2018).*

(Continued)

Primary Examiner — Eric L Goodman
Assistant Examiner — Darcey E Heflin

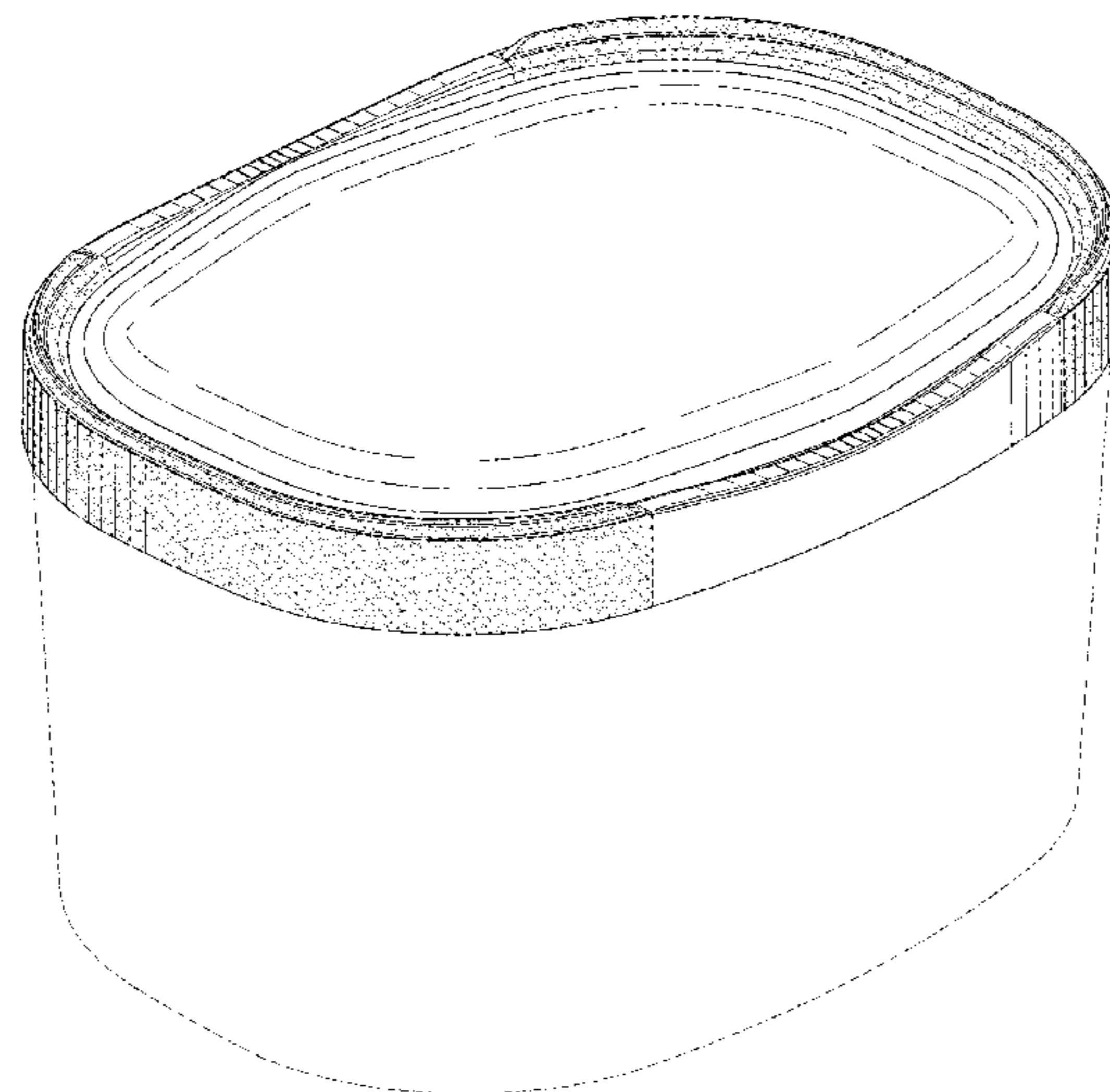
(57) **CLAIM**

The ornamental design for a container lid, as shown and described.

DESCRIPTION

FIG. 1 is a perspective view of a container lid showing our new design;
FIG. 2 is a top view thereof;
FIG. 3 is a first side view thereof;
FIG. 4 is a second side view thereof; and,
FIG. 5 is a bottom view thereof.
The stippled portions in the drawings indicate a contrast in appearance. In the drawings, the broken lines in FIG. 1 depict environment and form no part of the claim. The broken lines in FIG. 5 show portions of a lid and form no part of the claim.

1 Claim, 3 Drawing Sheets



(56)

References Cited

U.S. PATENT DOCUMENTS

D592,494 S	5/2009	Wichowski	
D596,454 S *	7/2009	de Groote	D7/392.1
D640,131 S *	6/2011	Gibson	D9/426
D661,543 S *	6/2012	Bouveret	D7/392.1
D692,298 S	10/2013	Pipes et al.	
D696,075 S	12/2013	Mashike	
D706,131 S	6/2014	Brooks et al.	
D712,703 S	9/2014	Lipinski et al.	
D727,724 S *	4/2015	Pipes	A24F 23/00 D9/428
D732,385 S	6/2015	Bouveret et al.	
D734,980 S	7/2015	Lipinski et al.	
D738,208 S *	9/2015	Diehl	D9/435
D760,075 S *	6/2016	Irimia	D9/435
D794,459 S *	8/2017	Lefebvre	D9/454
D795,068 S *	8/2017	Lefebvre	D9/454
D803,676 S *	11/2017	Fisher	D9/428
D807,170 S *	1/2018	Fisher	D9/428

OTHER PUBLICATIONS

Design Bolts. 30+ Cool Ice Cream Packaging Designs for Inspiration. Jan. 7, 2014 [earliest online date], [site visited Apr. 7, 2017]. Available from Internet, <URL:<http://www.designbolts.com/2014/01/07/30-cool-ice-cream-packaging-designs-for-inspiration/>>.

IPL Plastics. SealPack Single Serve. Sep. 20, 2016 [earliest online date], [site visited Apr. 7, 2017]. Available from Internet, <URL:<http://www.ipl-plastics.com/en/retail-packaging/products/file/sealpack-single-serve/26>>.

<https://conniekitchen.files.wordpress.com/2014/12/select-different-brands-for-ice-cream-shop.jpg>.

<http://www.shopwell.com/kroger-ice-cream-caramel-sweet-surprise-ice-cream-popsicles/p/1111052944>.

<https://www.turkeyhill.com/press/turkey-hill-dairy/dairy-images.aspx>.

<http://www.privateselection.com/artisan-products/frozen-foods/ice-cream/chocolate-ganache-ice-cream/>.

* cited by examiner

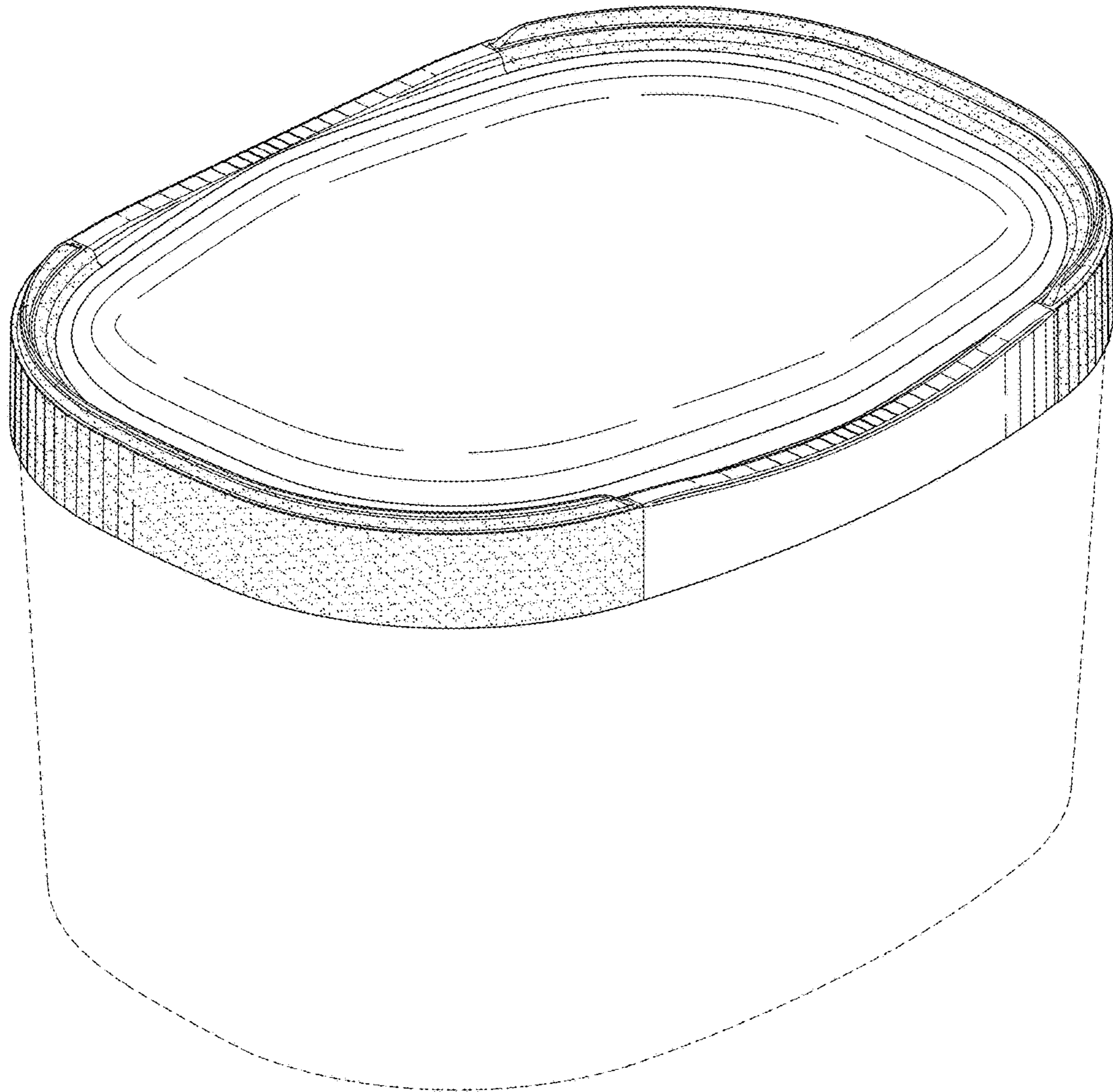


FIG. 1

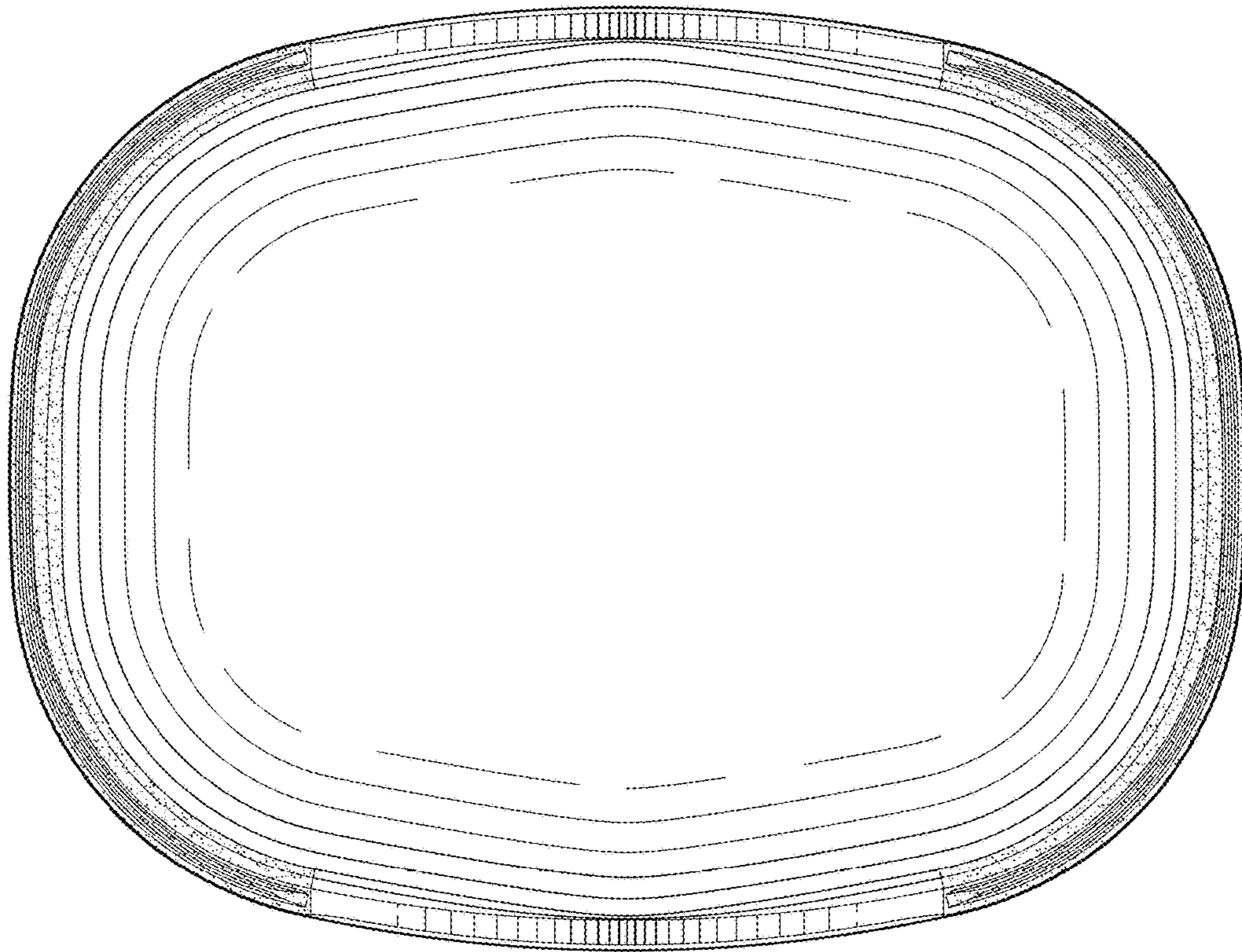


FIG. 2

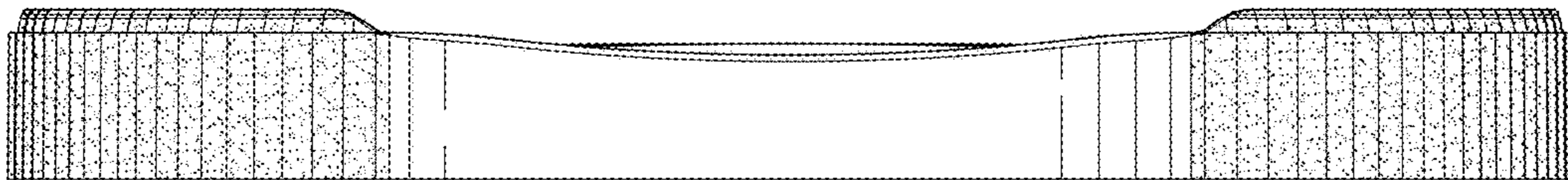


FIG. 3

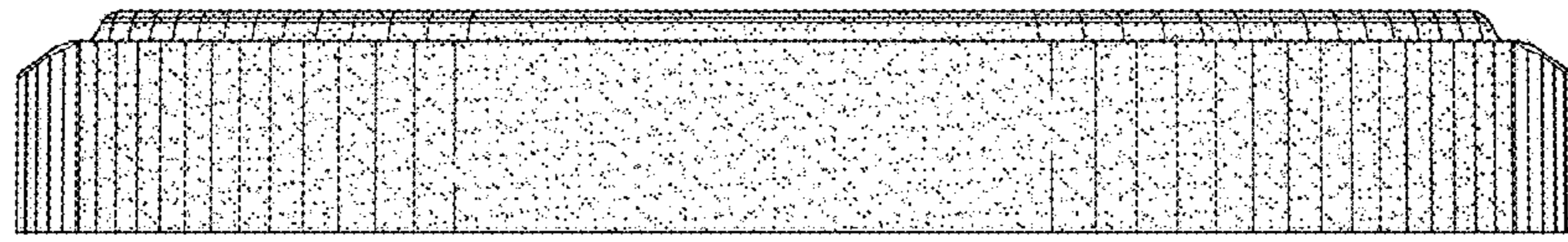


FIG. 4

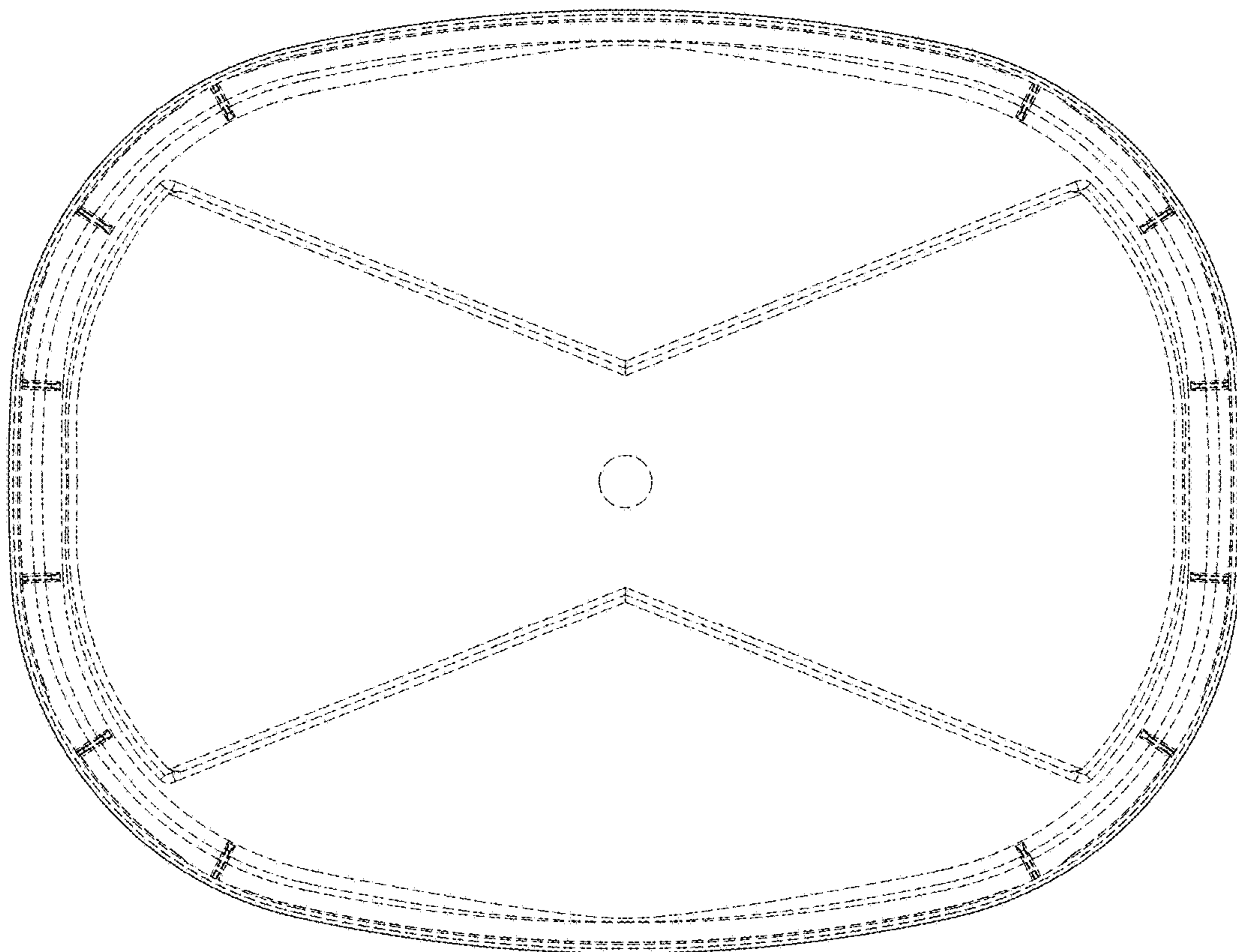


FIG. 5