



US00D833869S

(12) **United States Design Patent** (10) **Patent No.:** **US D833,869 S**
Kropf et al. (45) **Date of Patent:** **** Nov. 20, 2018**

(54) **CLOSING CAP**
(71) Applicant: **CELLPACK AG**, Villmergen (CH)
(72) Inventors: **Martin Kropf**, Munchenbuchsee (CH);
Thomas Liebe, Thun (CH)
(73) Assignee: **CELLPACK AG** (CH)
(**) Term: **15 Years**
(21) Appl. No.: **29/580,937**

D493,367 S * 7/2004 Simons D9/439
D493,719 S * 8/2004 Simons D9/439
D513,180 S * 12/2005 Lindsey D9/447
D551,075 S * 9/2007 Puller D9/447
D568,152 S * 5/2008 Fetherston D9/440
7,622,039 B2 * 11/2009 Farrell C12H 1/16
210/222
D621,706 S * 8/2010 Breckan D9/443
D658,986 S * 5/2012 Pauser D9/443
D678,768 S * 3/2013 Agassi D9/440
D700,511 S * 3/2014 Agassi D9/440
D727,728 S * 4/2015 Giles D9/445

(Continued)

(22) Filed: **Oct. 14, 2016**
(51) **LOC (11) Cl.** **09-07**
(52) **U.S. Cl.**
USPC **D9/443**
(58) **Field of Classification Search**
USPC D3/202, 318, 208, 210; D7/305, 387,
D7/396.1, 396.2, 397, 511, 629, 507, 509,
D7/523; D9/434-437, 439, 440, 447,
D9/449, 450, 454, 499, 780, 443; D8/33,
D8/34, 38-43, 18; D10/46.2
CPC . A47J 31/407; B67B 7/14; B67B 7/16; B67B
7/18; B67B 7/20; B67B 7/24; B65D
41/04; B65D 55/16; B65D 81/3211;
B65D 85/804; B65D 2501/24917
See application file for complete search history.

OTHER PUBLICATIONS

BBC Group. Cellpack. 2017 [earliest online date], [site visited Oct. 10, 2017]. Available from Internet, <URL:http://www.bbc-group.com/en/bbc-cellpack-swiss-quality/>. (Year: 2017).*

(Continued)

Primary Examiner — Eric L Goodman
Assistant Examiner — Darcey E Hefflin
(74) *Attorney, Agent, or Firm* — Ostrolenk Faber LLP

(57) **CLAIM**

The ornamental design for a closing cap, as shown.

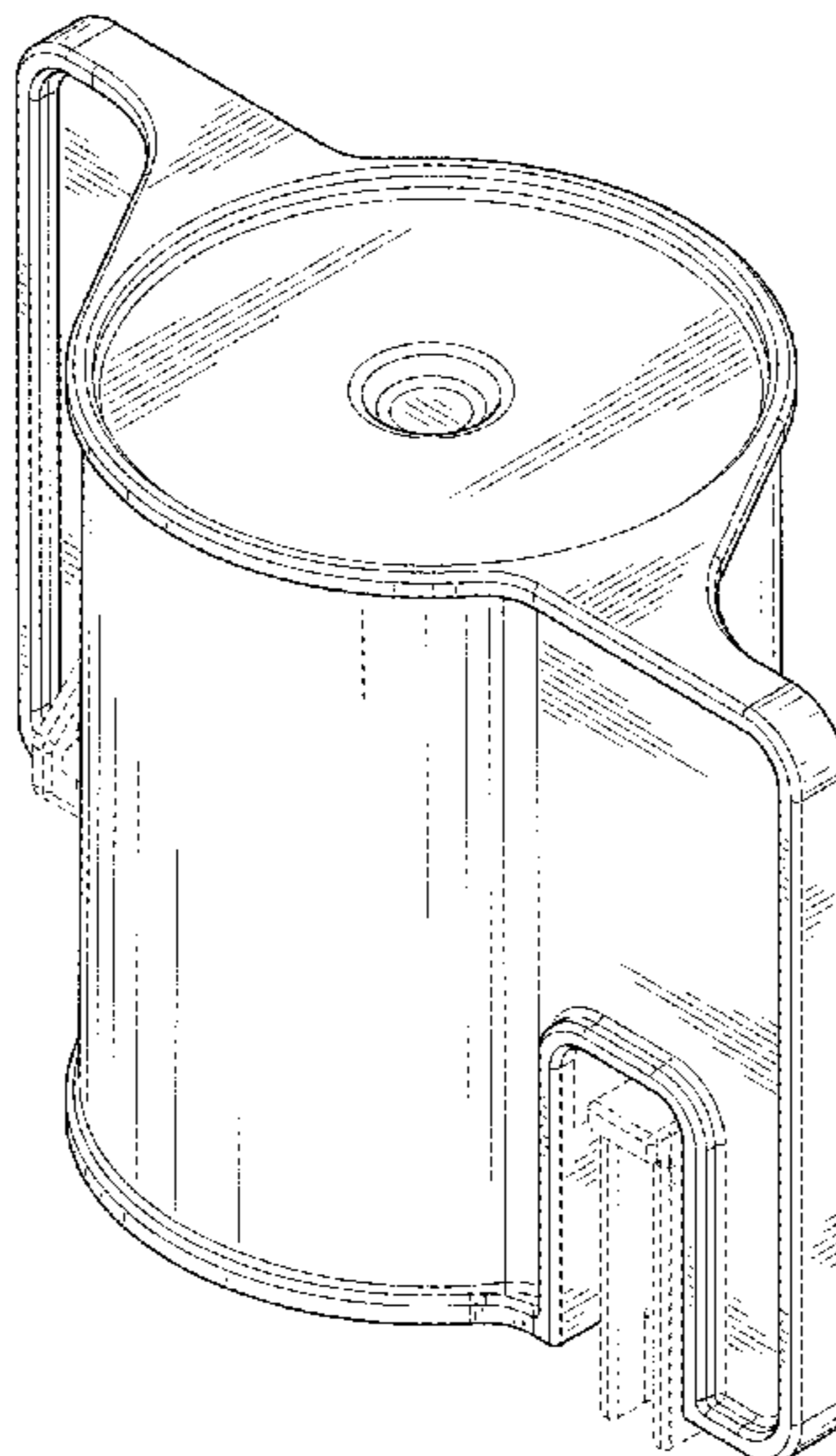
DESCRIPTION

FIG. 1 is a top, front, perspective view of a closing cap showing our new design;
FIG. 2 is a top view thereof;
FIG. 3 is a bottom view thereof;
FIG. 4 is a left side view thereof;
FIG. 5 is a right side view thereof;
FIG. 6 is a front view thereof; and,
FIG. 7 is a rear view thereof.
In the drawings, the broken lines show portions of a closing cap that form no part of the claim.

1 Claim, 6 Drawing Sheets

(56) **References Cited**
U.S. PATENT DOCUMENTS

D51,529 S * 11/1917 Martin D8/16
3,045,860 A * 7/1962 Desgagne B65D 51/04
220/254.3
D342,448 S * 12/1993 Ritcey D9/435
D351,793 S * 10/1994 Stoller D9/443
5,431,305 A * 7/1995 Kaminski B65D 47/244
222/109
D381,907 S * 8/1997 King D9/443
D411,451 S * 6/1999 Young D9/443
D422,912 S * 4/2000 Hollinger D9/439



(56)

References Cited

U.S. PATENT DOCUMENTS

D756,774 S * 5/2016 McWilliams D9/443
D777,342 S * 1/2017 Piramoon D24/224
D779,324 S * 2/2017 Martini D9/443
D786,672 S * 5/2017 van Spronsen D9/443

OTHER PUBLICATIONS

Toxel. East To Open Bottle Cap. May 6, 2011 [earliest online date],
[site visited Oct. 10, 2017]. Available from Internet, <URL:<http://www.toxel.com/tech/2011/05/06/easy-to-open-bottle-cap/>>. (Year:
2011).*

* cited by examiner

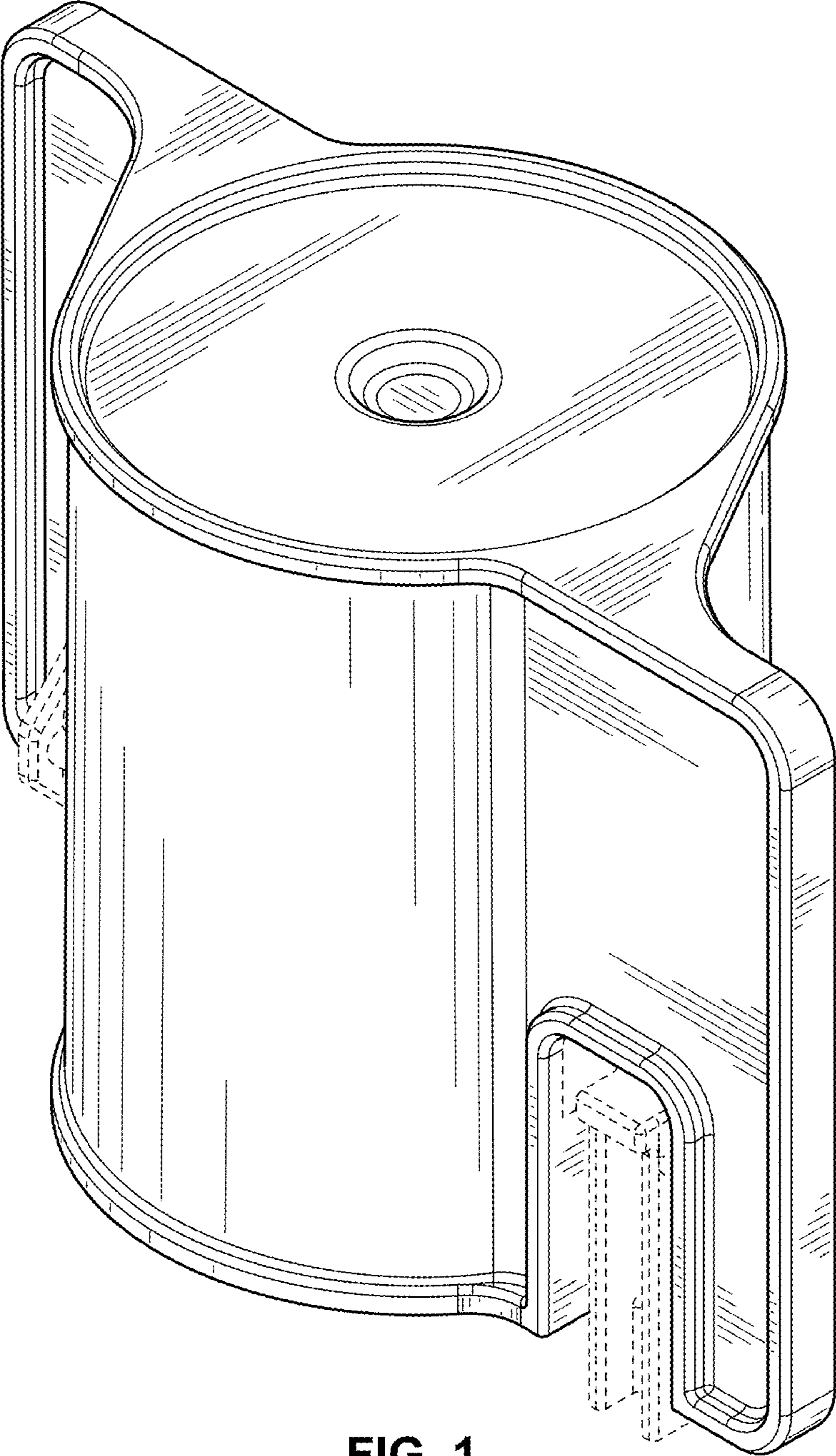


FIG. 1

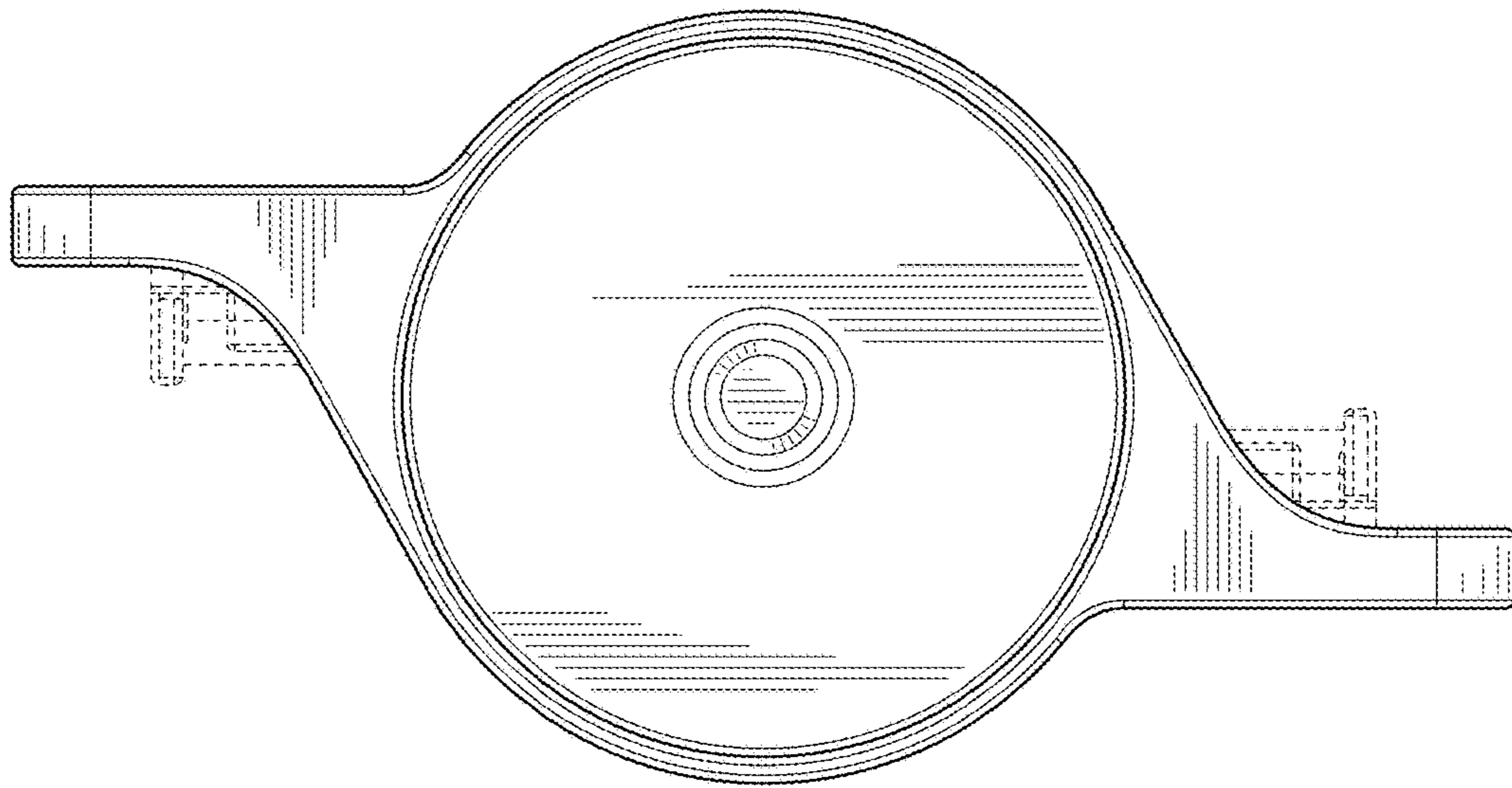


FIG. 2

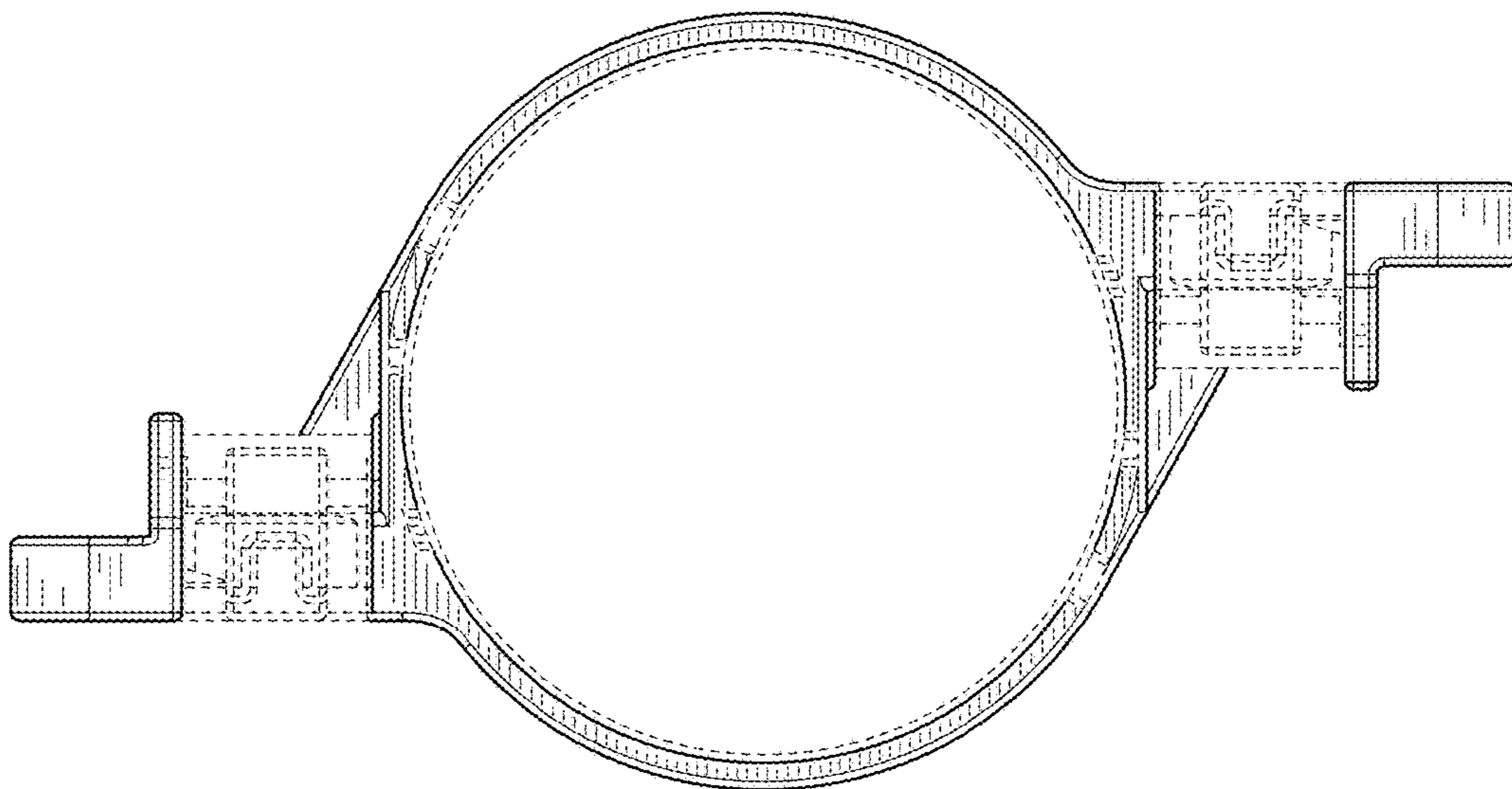


FIG. 3

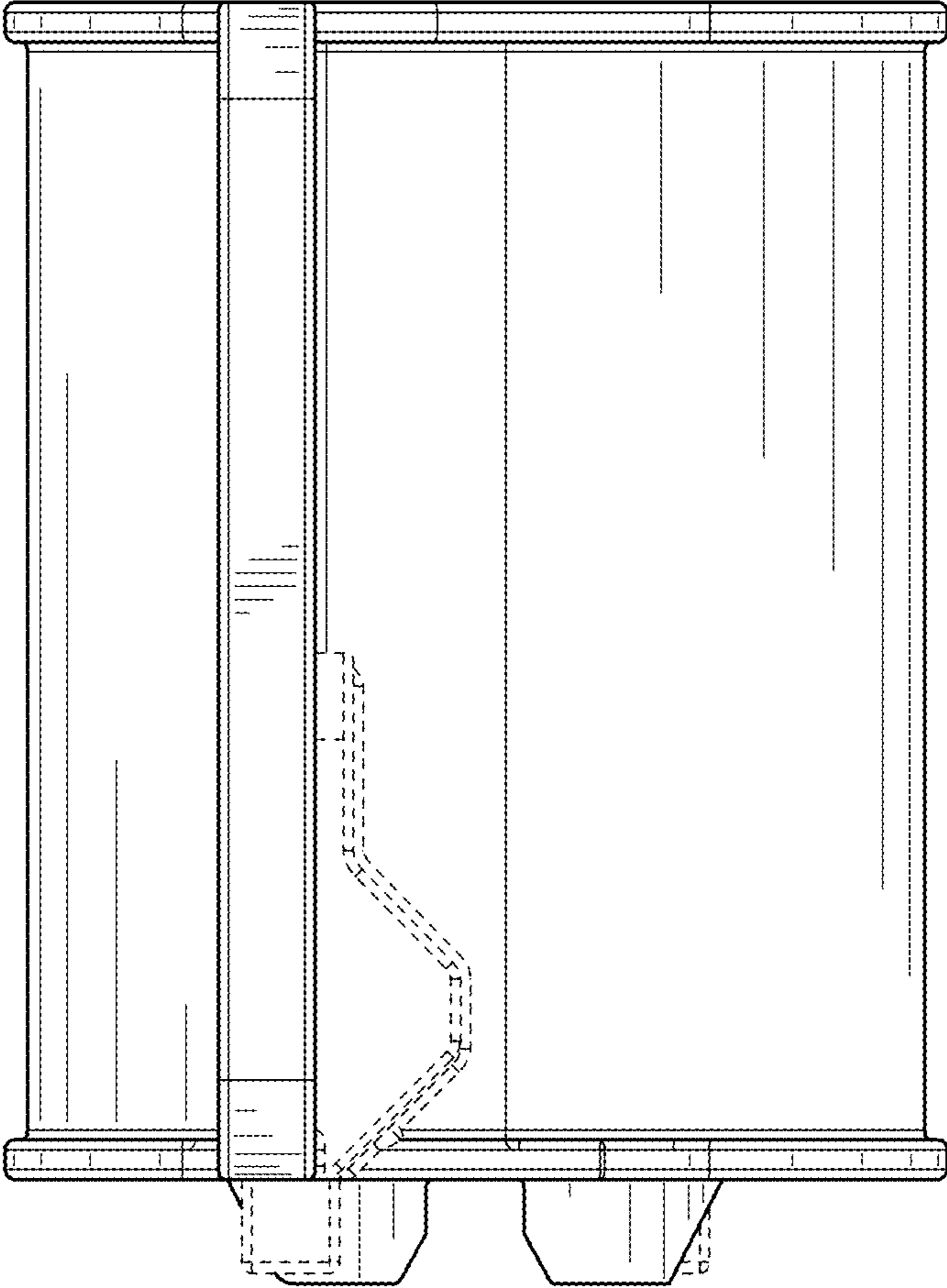


FIG. 4

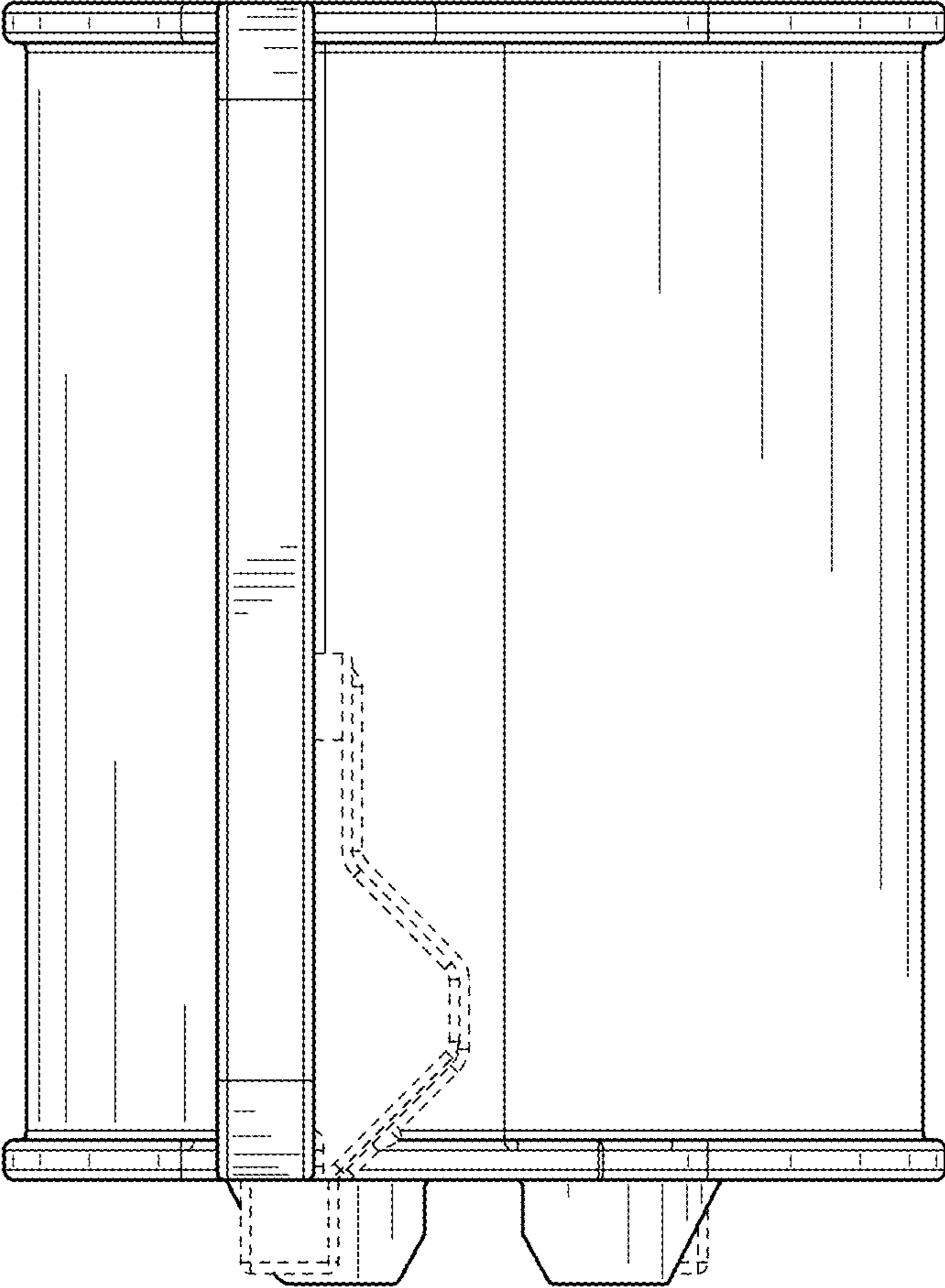


FIG. 5

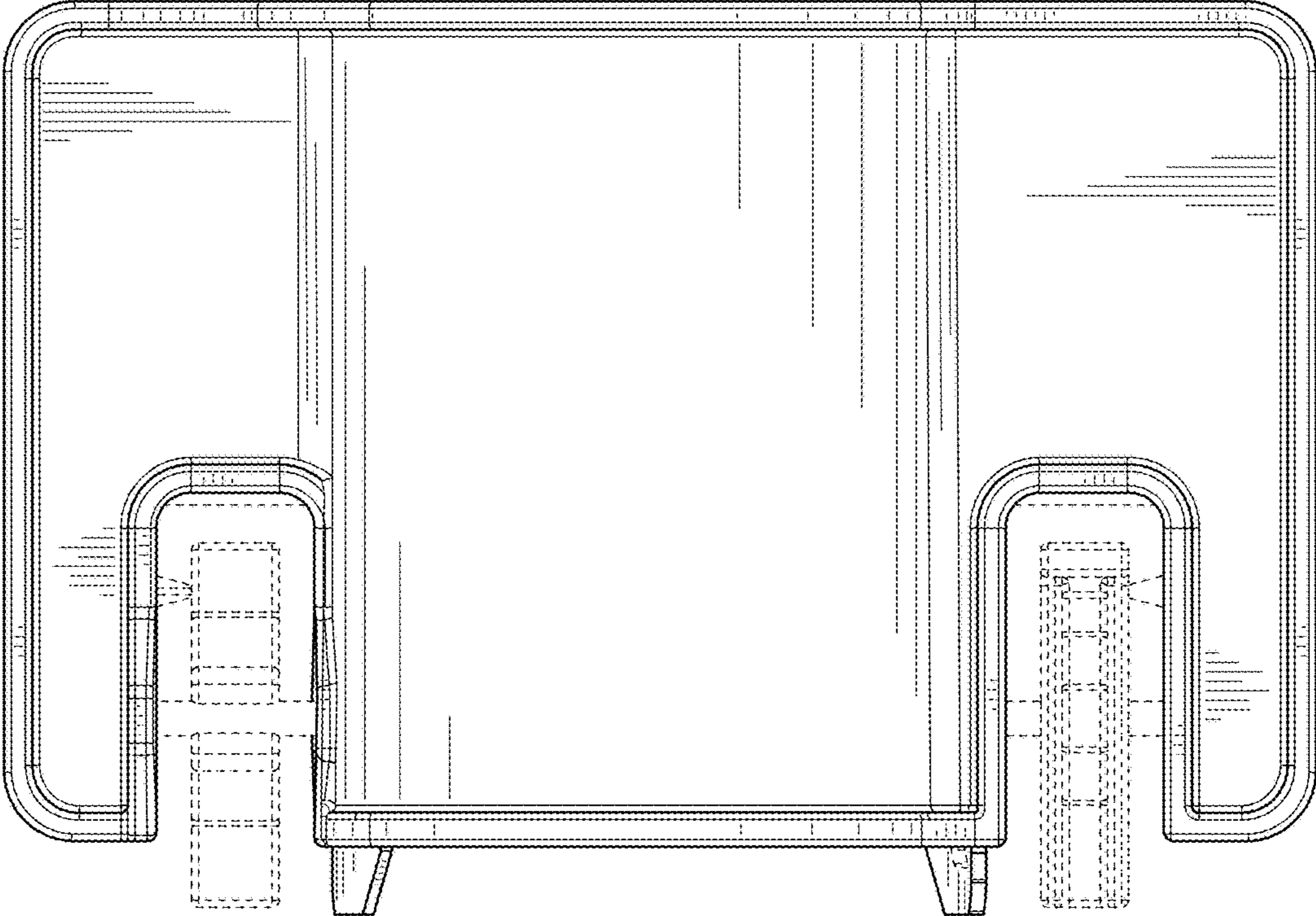


FIG. 6

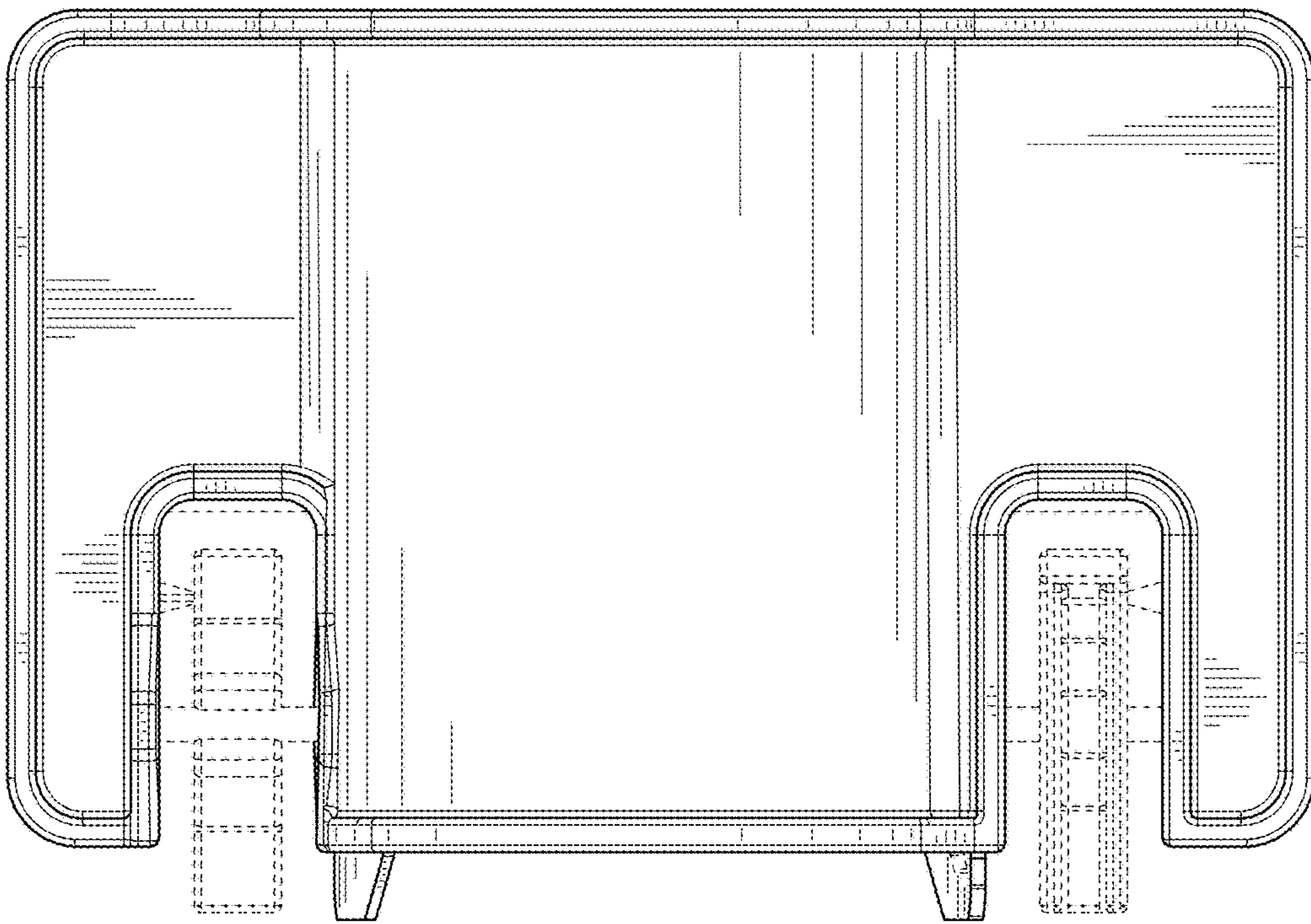


FIG. 7