



US00D833867S

(12) **United States Design Patent**  
**Perella et al.**

(10) **Patent No.:** **US D833,867 S**

(45) **Date of Patent:** **\*\* Nov. 20, 2018**

(54) **FOLDABLE BOX**  
(71) Applicant: **IdeaStream Consumer Products, LLC**, Cleveland, OH (US)  
(72) Inventors: **Daniel V. Perella**, Cleveland, OH (US); **Benjamin Hietanen**, Cleveland, OH (US); **Zhenghong Li**, Shenzhen (CN); **Jensen Tuen**, Fanling (HK); **Jinyuan Li**, Shenzhen (CN)

2,255,223 A \* 9/1941 Lighter ..... B65D 5/3657  
229/152  
2,531,507 A \* 11/1950 Goodyear ..... B65D 5/3642  
229/117.04  
3,469,765 A 9/1969 Mueller  
4,361,236 A 11/1982 Lavery  
4,511,079 A \* 4/1985 Lopez ..... B65D 5/0005  
206/586  
5,007,580 A \* 4/1991 Morrison ..... B65D 5/18  
229/117.17  
5,121,876 A 6/1992 Johnson  
(Continued)

(73) Assignee: **IdeaStream Consumer Products, LLC**, Cleveland, OH (US)

**FOREIGN PATENT DOCUMENTS**

(\*\*) Term: **15 Years**

EP 455610 11/1991  
GB 533914 2/1941  
WO 1996002426 2/1996

(21) Appl. No.: **29/583,815**

*Primary Examiner* — Vy N Koenig

(22) Filed: **Nov. 9, 2016**

(74) *Attorney, Agent, or Firm* — Fay Sharpe LLP

(51) **LOC (11) Cl.** ..... **09-03**

(57) **CLAIM**

(52) **U.S. Cl.**  
USPC ..... **D9/432; D9/433**

The ornamental design for a foldable box, as shown and described.

(58) **Field of Classification Search**  
USPC ..... D9/414–419, 420–423, 430–434,  
D9/721–722; D3/290, 304, 305, 315;  
D20/10, 22, 27, 40, 42  
CPC ..... B65D 5/00; B65D 5/0015; B65D 5/061;  
B65D 5/18; B65D 5/20; B65D 5/32;  
B65D 5/321; B65D 5/322  
See application file for complete search history.

**DESCRIPTION**

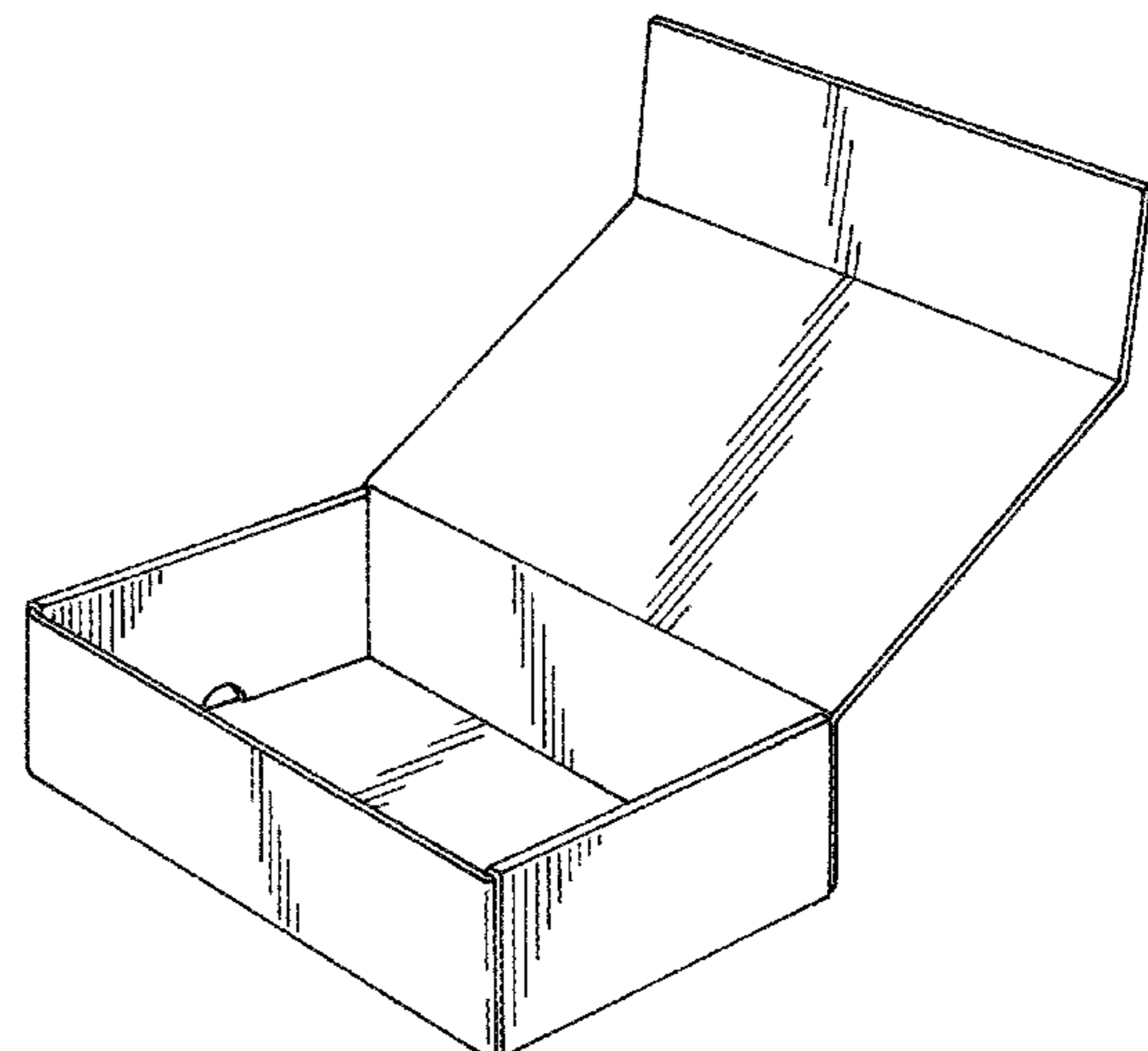
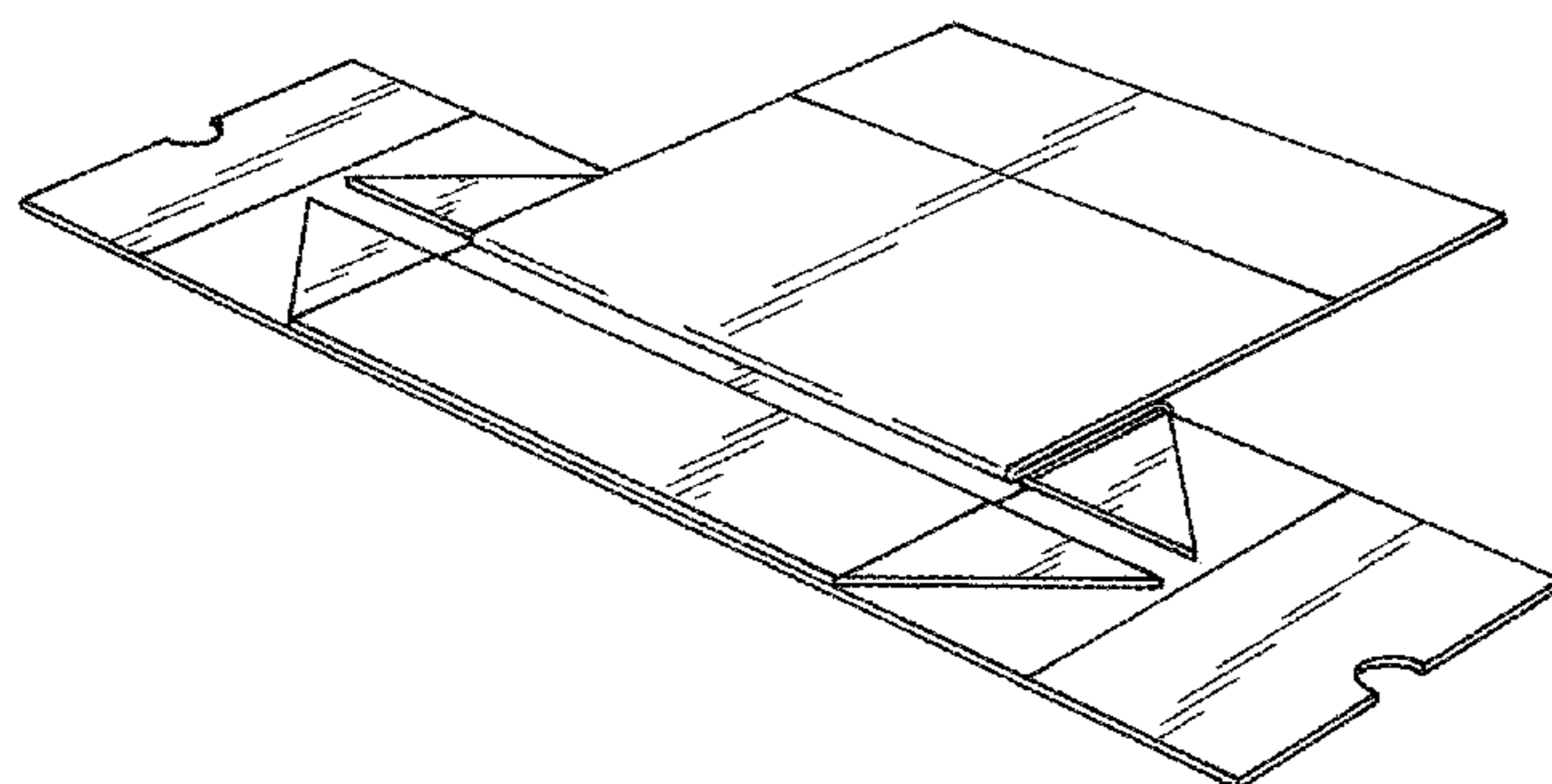
(56) **References Cited**

**U.S. PATENT DOCUMENTS**

664,835 A 1/1901 Czarniecki  
1,053,836 A 2/1913 Leiman  
1,694,126 A 12/1928 Joslin  
1,941,084 A 12/1933 Gross  
2,100,644 A \* 11/1937 Groves ..... B65D 5/6673  
229/125.37  
2,122,885 A 7/1938 Lowey

FIG. 1 is a front, top and side perspective view of a foldable box in a folded configuration showing our new design; FIG. 2 is a front, top and side perspective view of the foldable box of FIG. 1 in a partially unfolded configuration; FIG. 3 is a front, top and side perspective view of the foldable box of FIG. 1 in a fully unfolded and closed configuration; FIG. 4 is a front elevation view thereof; FIG. 5 is a top plan view of thereof; FIG. 6 is a bottom plan view thereof; FIG. 7 is a back elevation view thereof; FIG. 8 is a side elevation view thereof; FIG. 9 is an opposite side elevation view thereof; and, FIG. 10 is a top plan view of the foldable box of FIG. 1.

**1 Claim, 6 Drawing Sheets**



(56)

References Cited

U.S. PATENT DOCUMENTS

6,029,885 A 2/2000 Mueller  
D423,359 S \* 4/2000 MacLean ..... D9/433  
6,098,873 A 8/2000 Sheffer  
6,253,993 B1 \* 7/2001 Lloyd ..... B65D 5/2047  
229/112  
D587,998 S 3/2009 Kaisanlahti et al.  
7,681,782 B2 3/2010 Bondarik  
7,686,206 B2 3/2010 Bondarik  
D679,582 S \* 4/2013 Witte ..... D9/416  
8,573,471 B2 11/2013 Wong  
8,608,050 B2 \* 12/2013 Seliger ..... B65D 5/2009  
229/117.16  
8,657,184 B2 2/2014 Gao  
8,857,702 B2 10/2014 Hui  
8,910,855 B2 12/2014 Wong et al.  
8,960,527 B2 2/2015 Hui  
D770,276 S \* 11/2016 Bjorsing ..... D9/433  
RE46,563 E \* 10/2017 Wong  
2004/0140345 A1 7/2004 Erb  
2005/0179816 A1 12/2005 Matsumura et al.  
2006/0151586 A1 7/2006 Kao  
2009/0095800 A1 4/2009 Tao  
2013/0037604 A1 2/2013 Goldman

\* cited by examiner

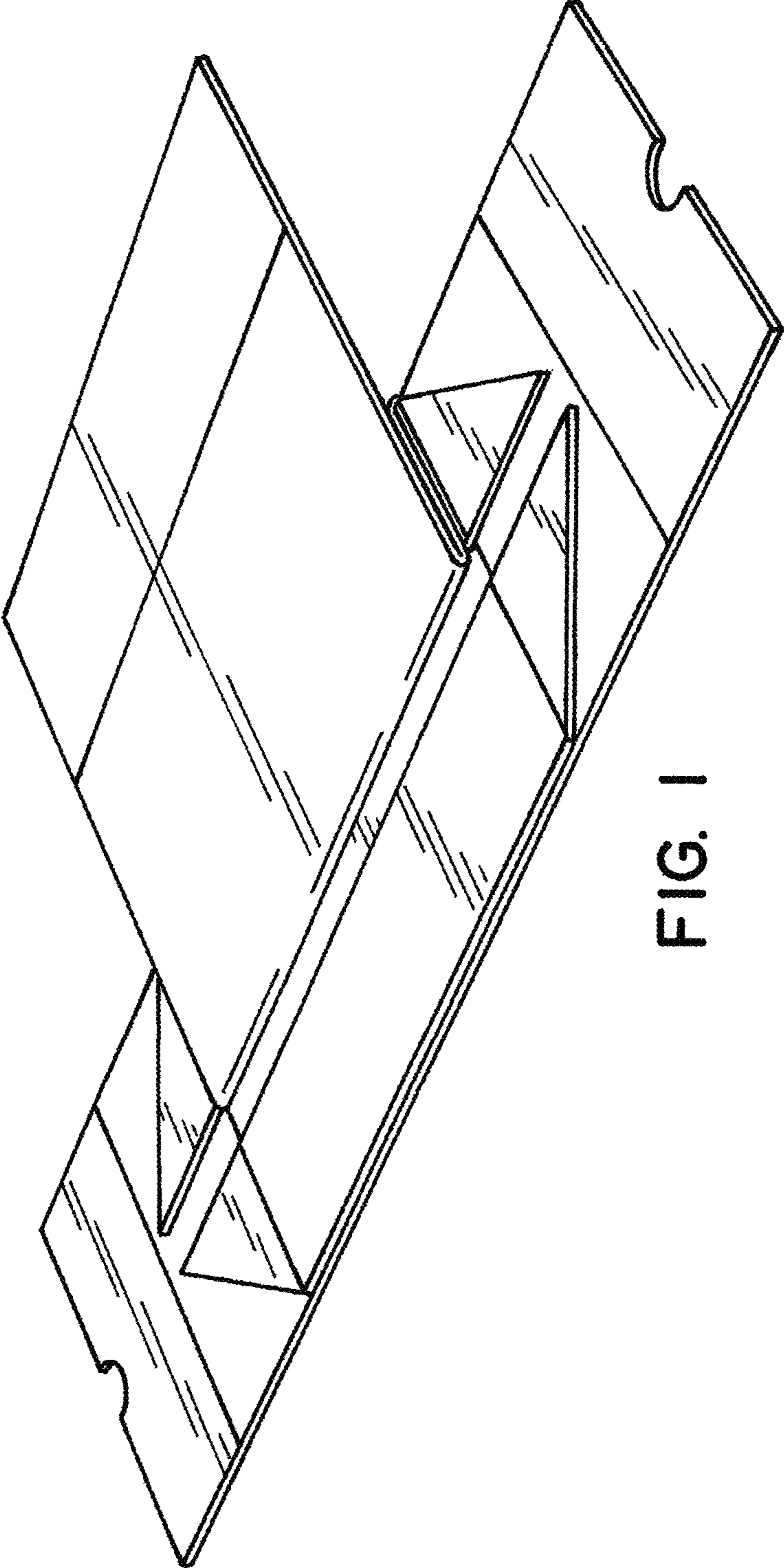


FIG. 1

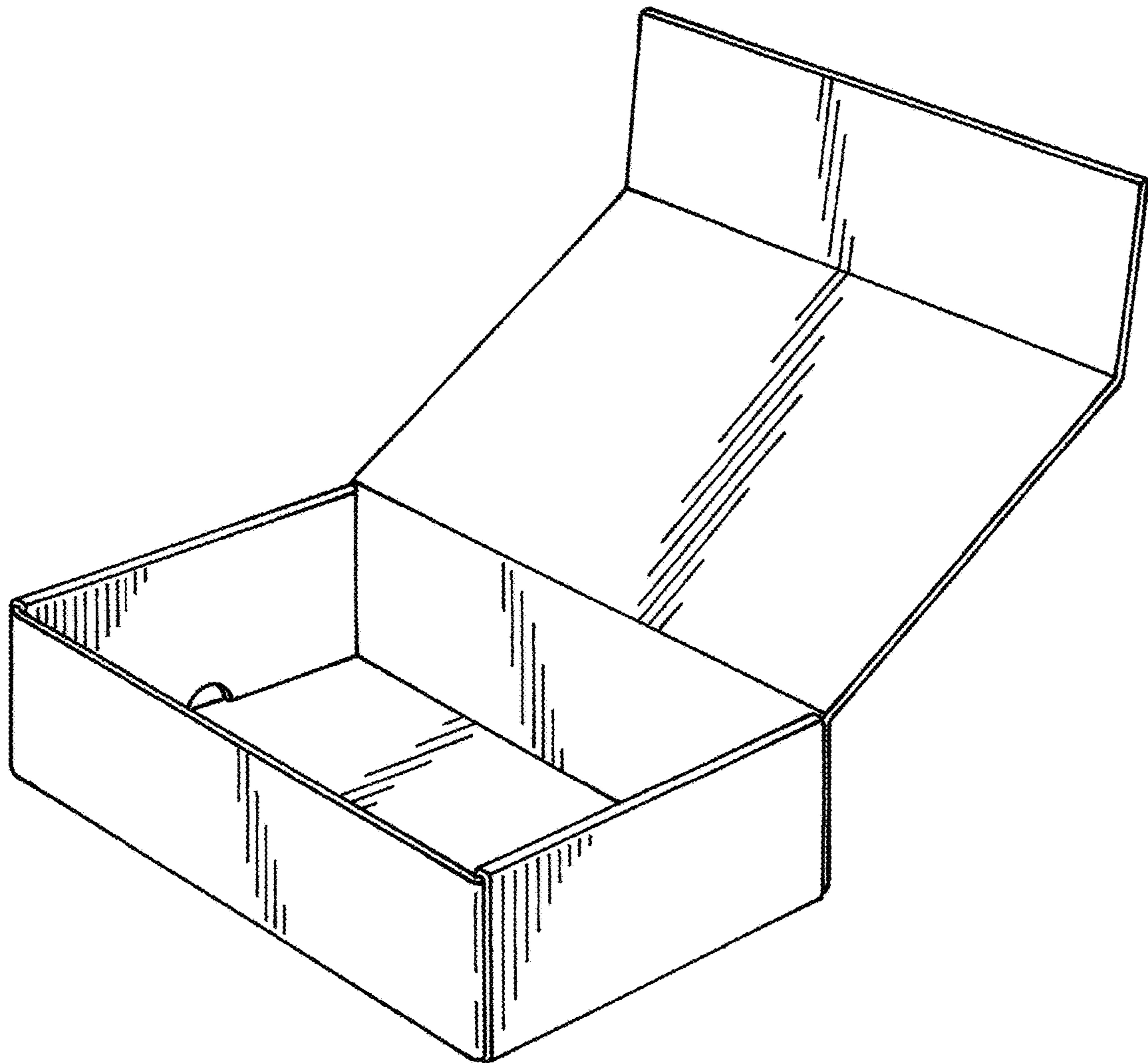


FIG. 2

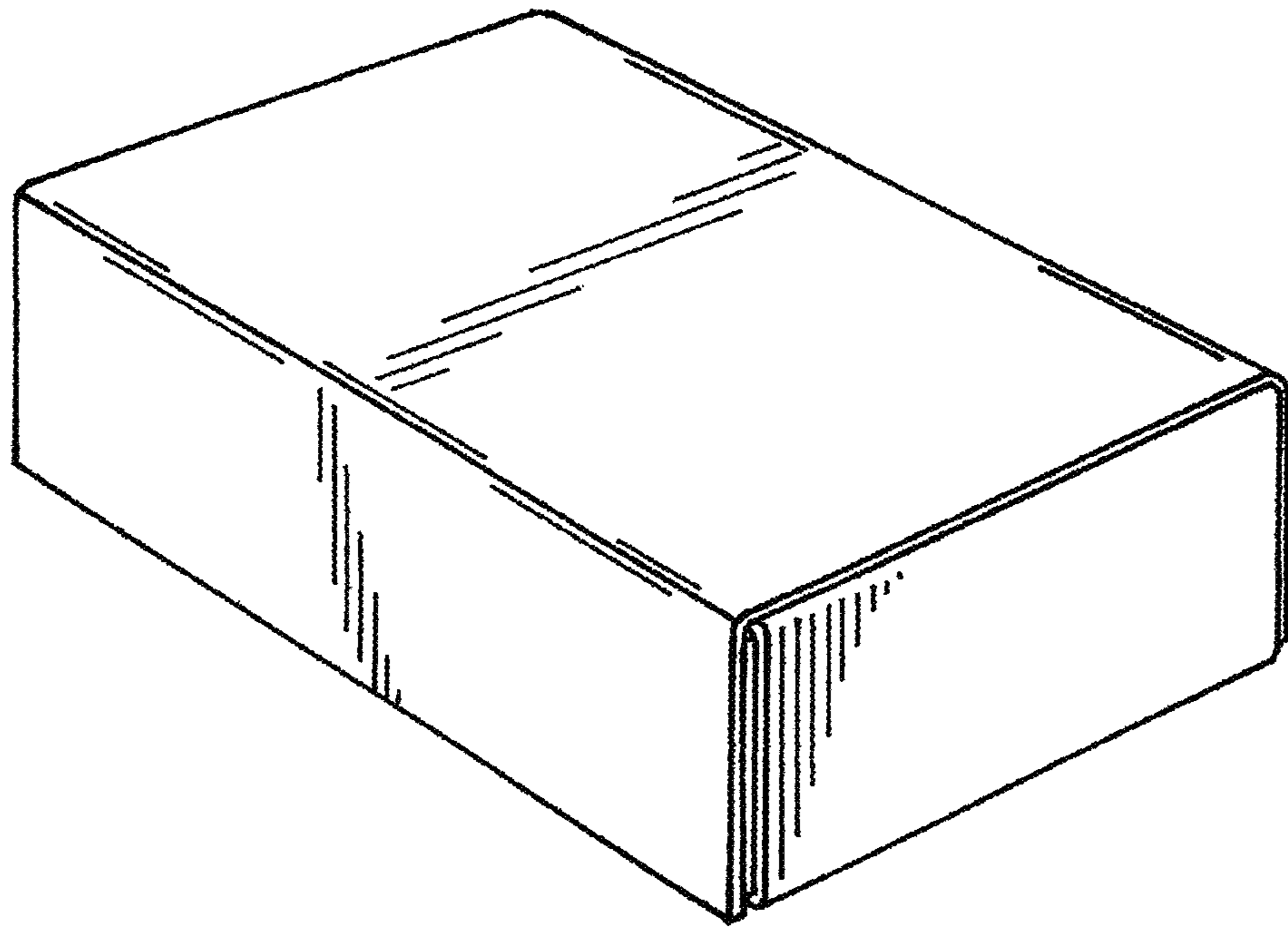


FIG. 3

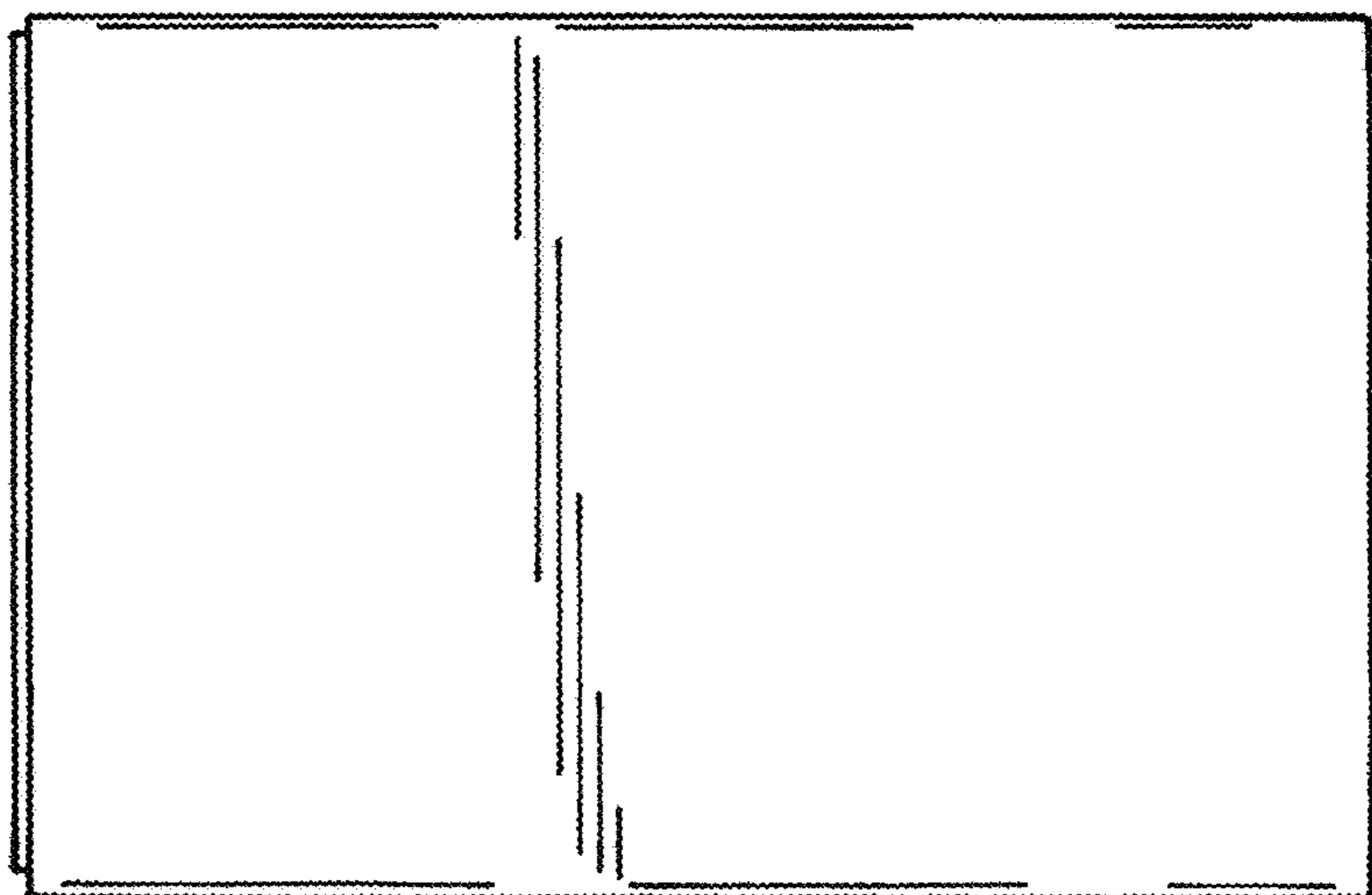


FIG. 5



FIG. 4

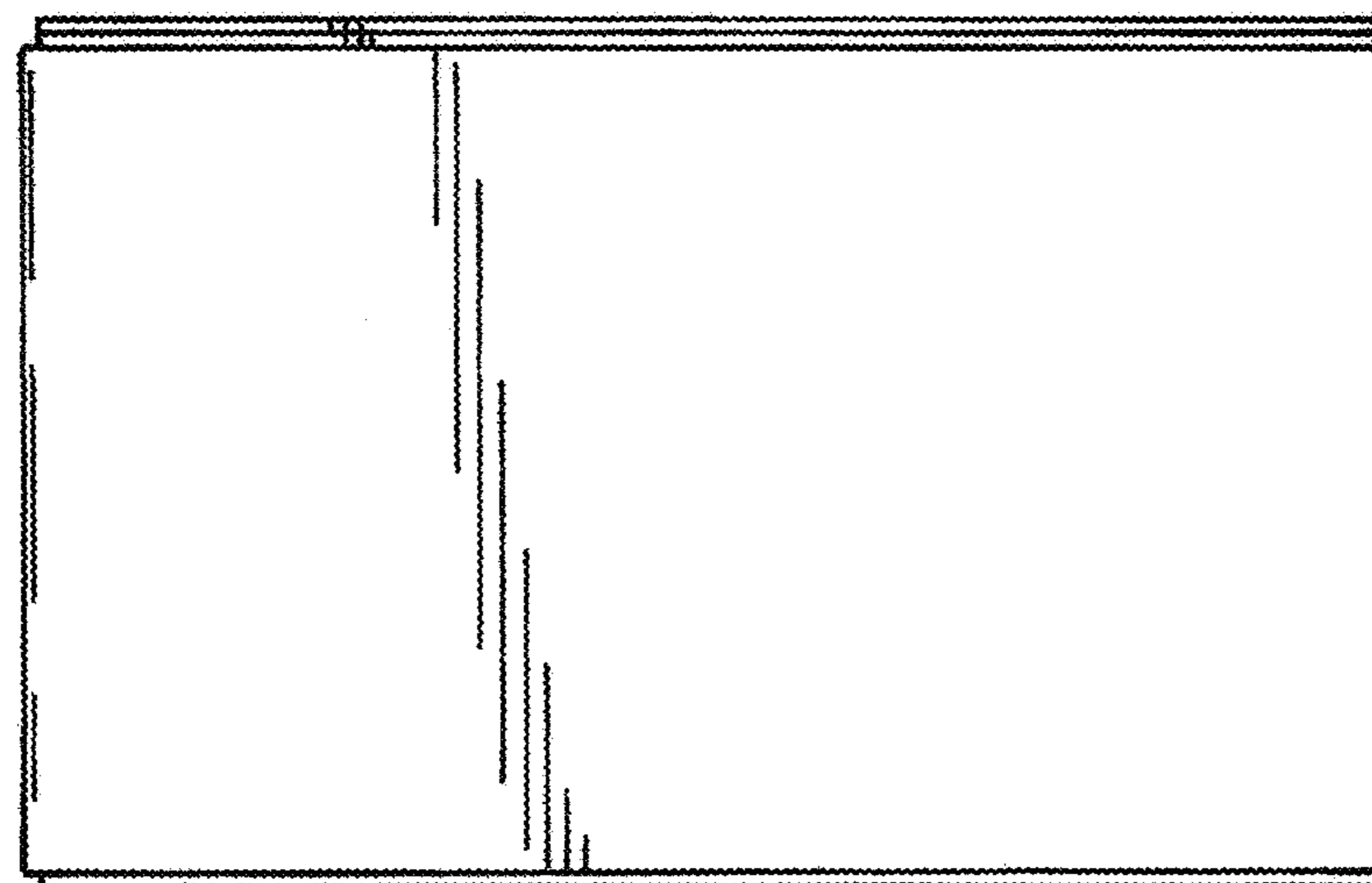


FIG. 6

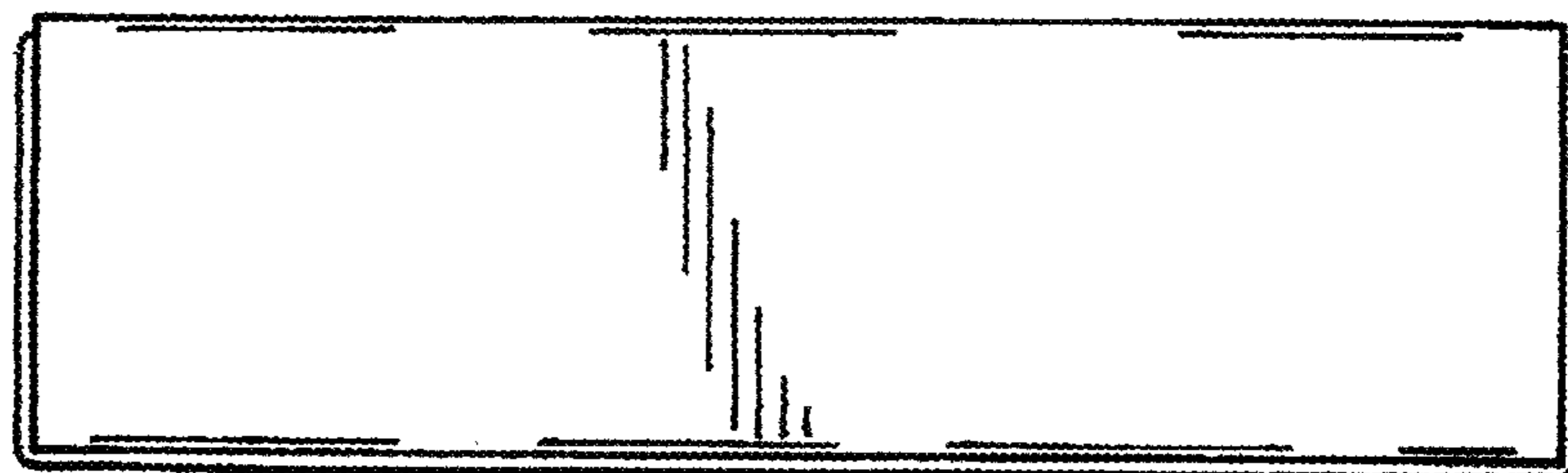


FIG. 7

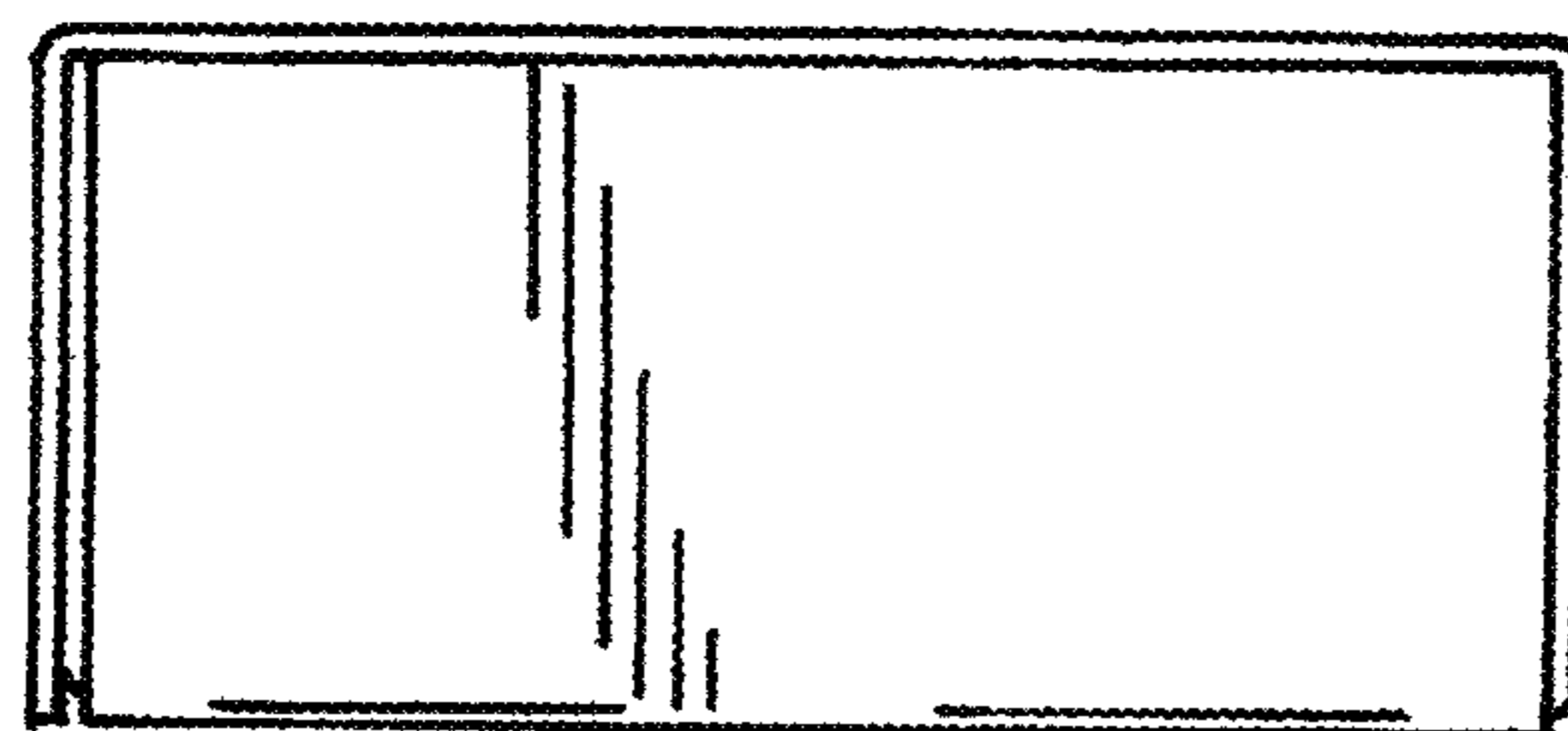


FIG. 8

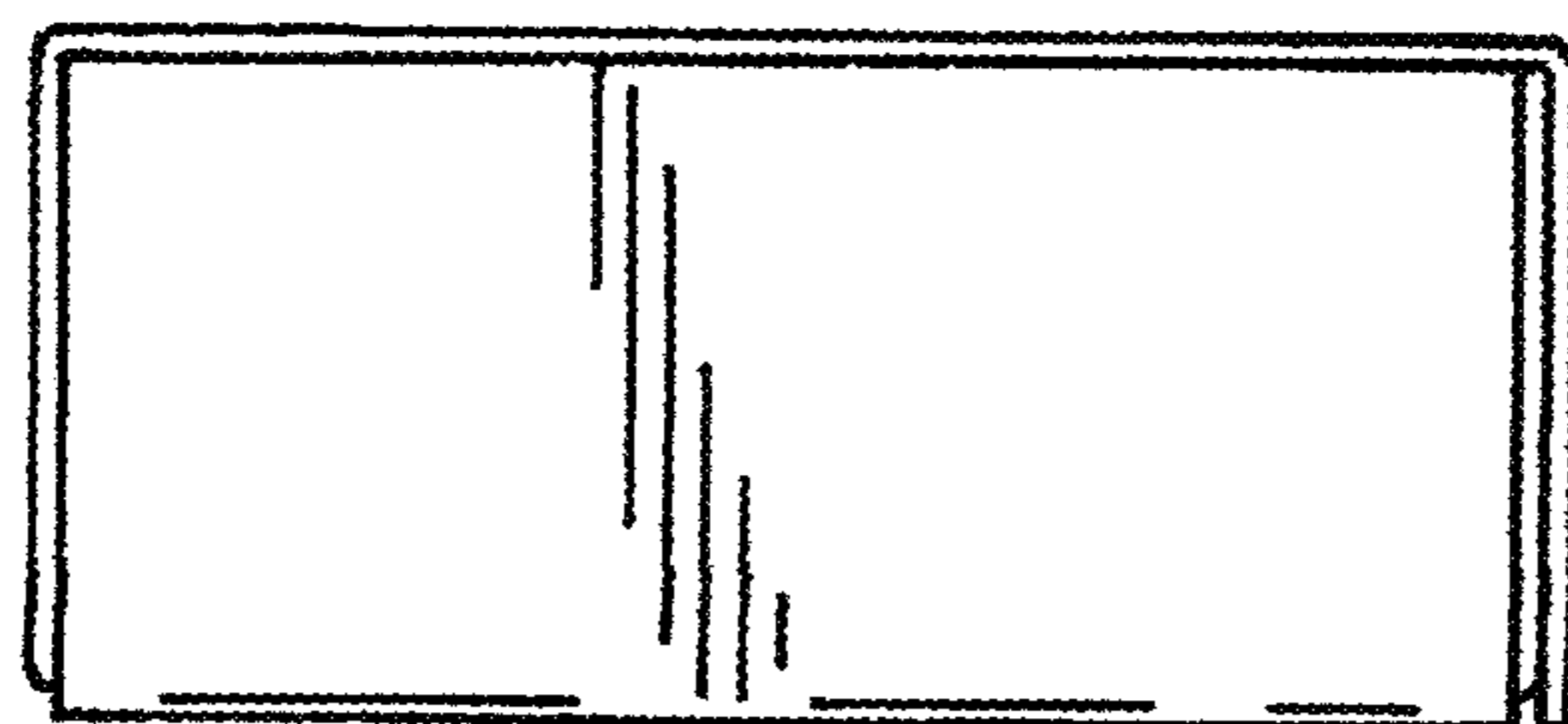


FIG. 9

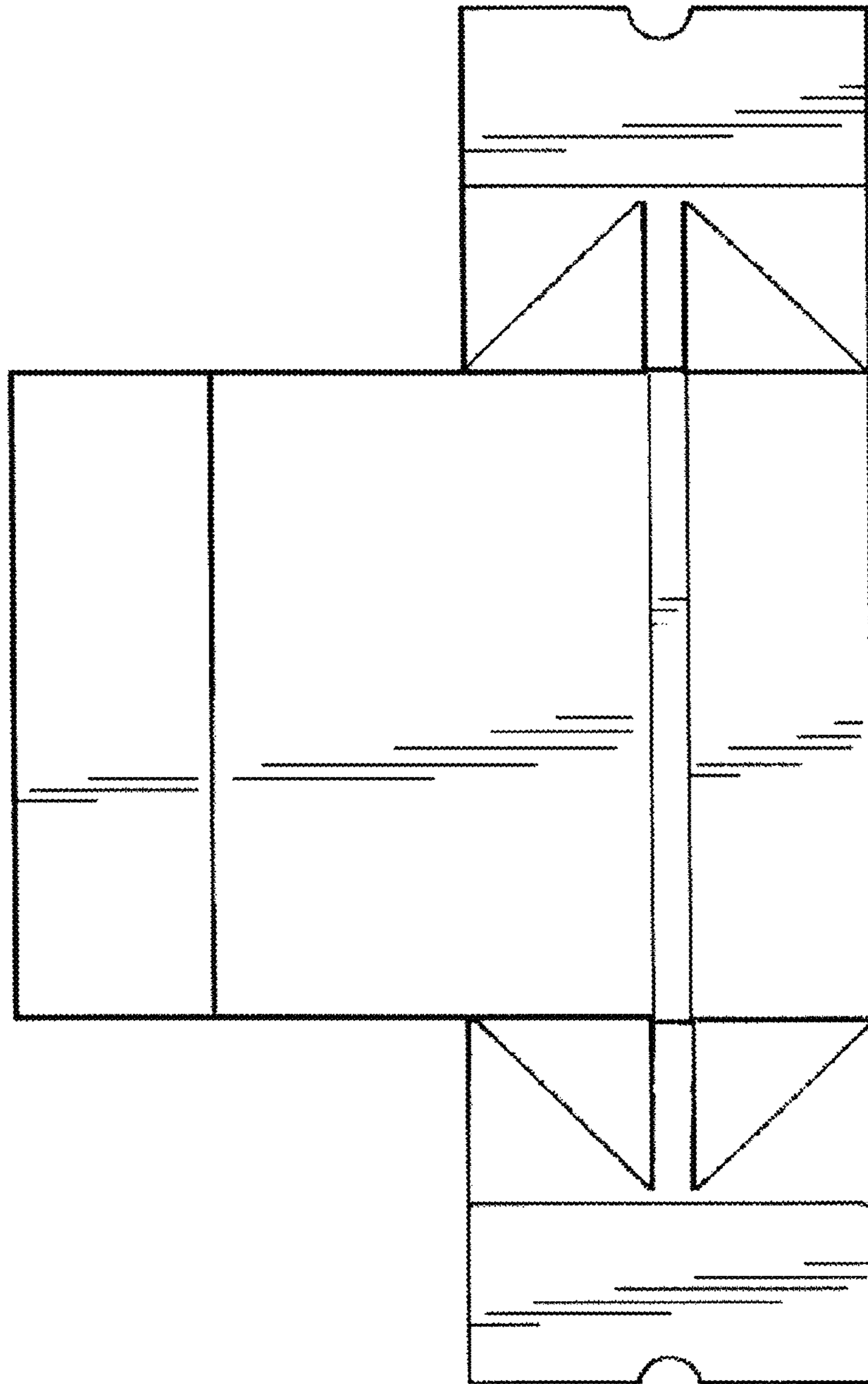


FIG. 10