



US00D833865S

(12) **United States Design Patent** (10) **Patent No.:** **US D833,865 S**  
**Petty** (45) **Date of Patent:** **\*\* Nov. 20, 2018**

(54) **BAKED GOODS BOX**  
(71) Applicant: **Indiana Carton Company Inc,**  
Bremen, IN (US)  
(72) Inventor: **James C. Petty,** Edwardsburg, MI (US)  
(\*\*) Term: **15 Years**  
(21) Appl. No.: **29/613,857**  
(22) Filed: **Aug. 14, 2017**  
(51) **LOC (11) Cl.** ..... **09-03**  
(52) **U.S. Cl.**  
USPC ..... **D9/431; D9/432**  
(58) **Field of Classification Search**  
USPC ..... D9/414-434, 442-444, 457, 545,  
D9/614-624, 661-664, 672, 676,  
D9/697-699, 703-707, 711, 754, 759,  
D9/760; D7/601, 602, 709; D3/273,  
D3/276, 304, 309-313  
CPC ..... B65D 5/00; B65D 5/001; B65D 5/0015;  
B65D 5/0227-5/0254; B65D 5/18; B65D  
5/38; B65D 5/40; B65D 5/2033; B65D  
1/22; B65D 1/24; B65D 1/34; B65D  
71/16; B65B 5/06  
See application file for complete search history.

D713,721 S \* 9/2014 Graves ..... D9/432  
D744,825 S \* 12/2015 Johansen ..... D9/418  
D764,281 S \* 8/2016 Mayer ..... D9/420  
D792,761 S \* 7/2017 Duval ..... D9/431  
2001/0010328 A1\* 8/2001 Itey ..... B65D 5/46104  
229/117.15

**OTHER PUBLICATIONS**

Purse and Specialty Style Cardboard Pouches. Online, published date Jun. 22, 2009. Retrieved on Sep. 5, 2018 from URL: <https://web.archive.org/web/20090622080135/https://usbox.com/Boxes/Purse-and-Specialty-Style-Cardboard-Pouches/1LV-P/>.  
\* Tulip Box. Online, published date Feb. 17, 2015. Retrieved on Sep. 5, 2018 from URL: <http://www.mitilipaper.com/packing/tulipbox.html>.\*

\* cited by examiner

*Primary Examiner* — Karen S Acker  
*Assistant Examiner* — Omeed Agilee  
(74) *Attorney, Agent, or Firm* — Botkin & Hall, LLP

(57) **CLAIM**

The ornamental design for a baked goods box, as shown and described.

(56) **References Cited**

**U.S. PATENT DOCUMENTS**

2,134,627 A \* 10/1938 Turner ..... B65D 71/0051  
206/162  
2,805,813 A \* 9/1957 Rittmueller ..... B65D 5/46144  
229/117.15  
D259,615 S \* 6/1981 Morris, Jr. .... D3/288  
D261,861 S \* 11/1981 Carter ..... D9/418  
D567,079 S \* 4/2008 Fant ..... D9/753  
D622,139 S \* 8/2010 Marcott ..... D9/418  
D693,216 S \* 11/2013 Sill ..... D9/418

**DESCRIPTION**

FIG. 1 is a front perspective view of the baked goods box;  
FIG. 2 is a top view thereof;  
FIG. 3 is a front view thereof;  
FIG. 4 is a right side view thereof;  
FIG. 5 is a left side view thereof;  
FIG. 6 is a rear view thereof; and,  
FIG. 7 is a bottom view thereof.

**1 Claim, 4 Drawing Sheets**

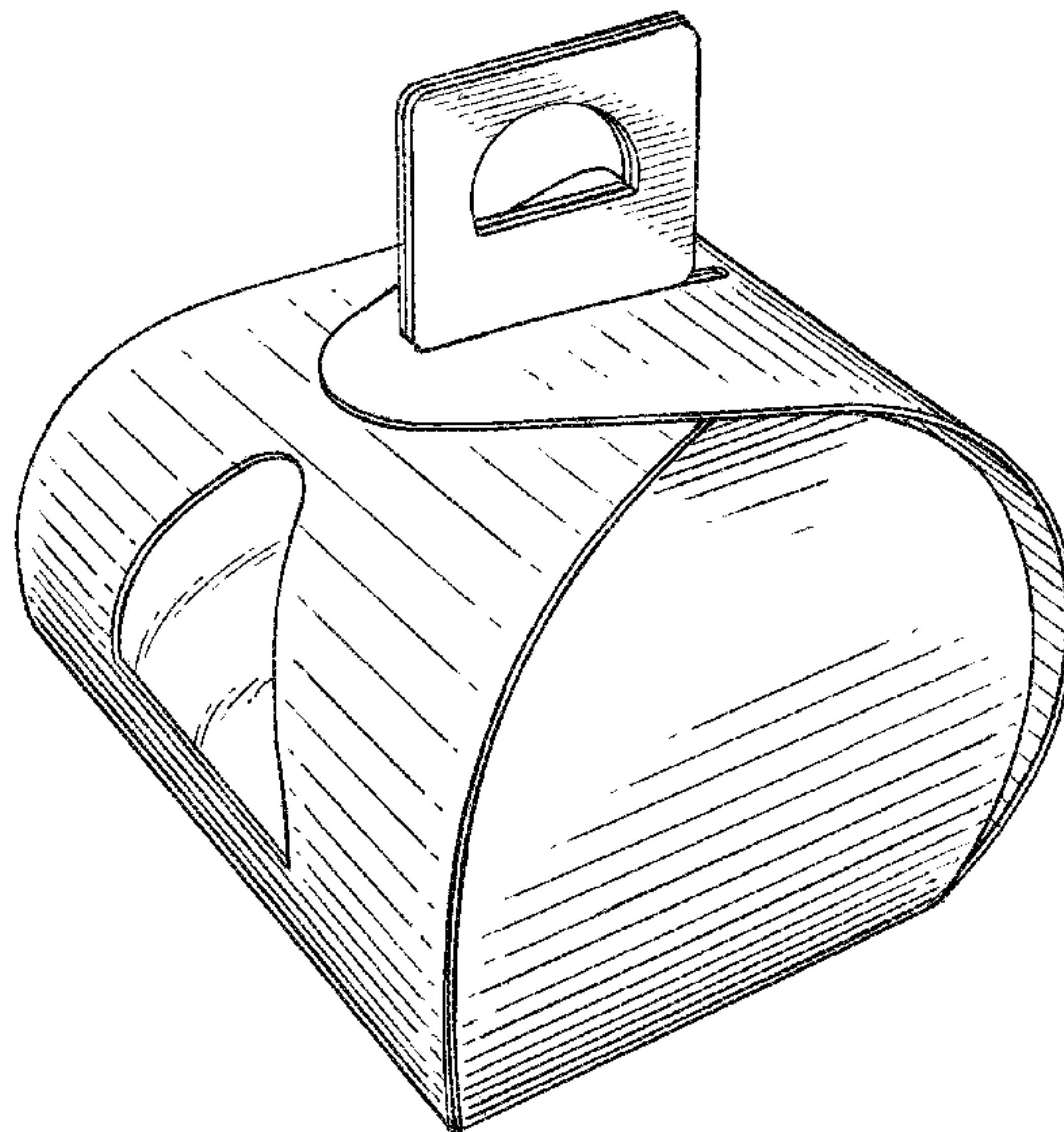


FIG. 1

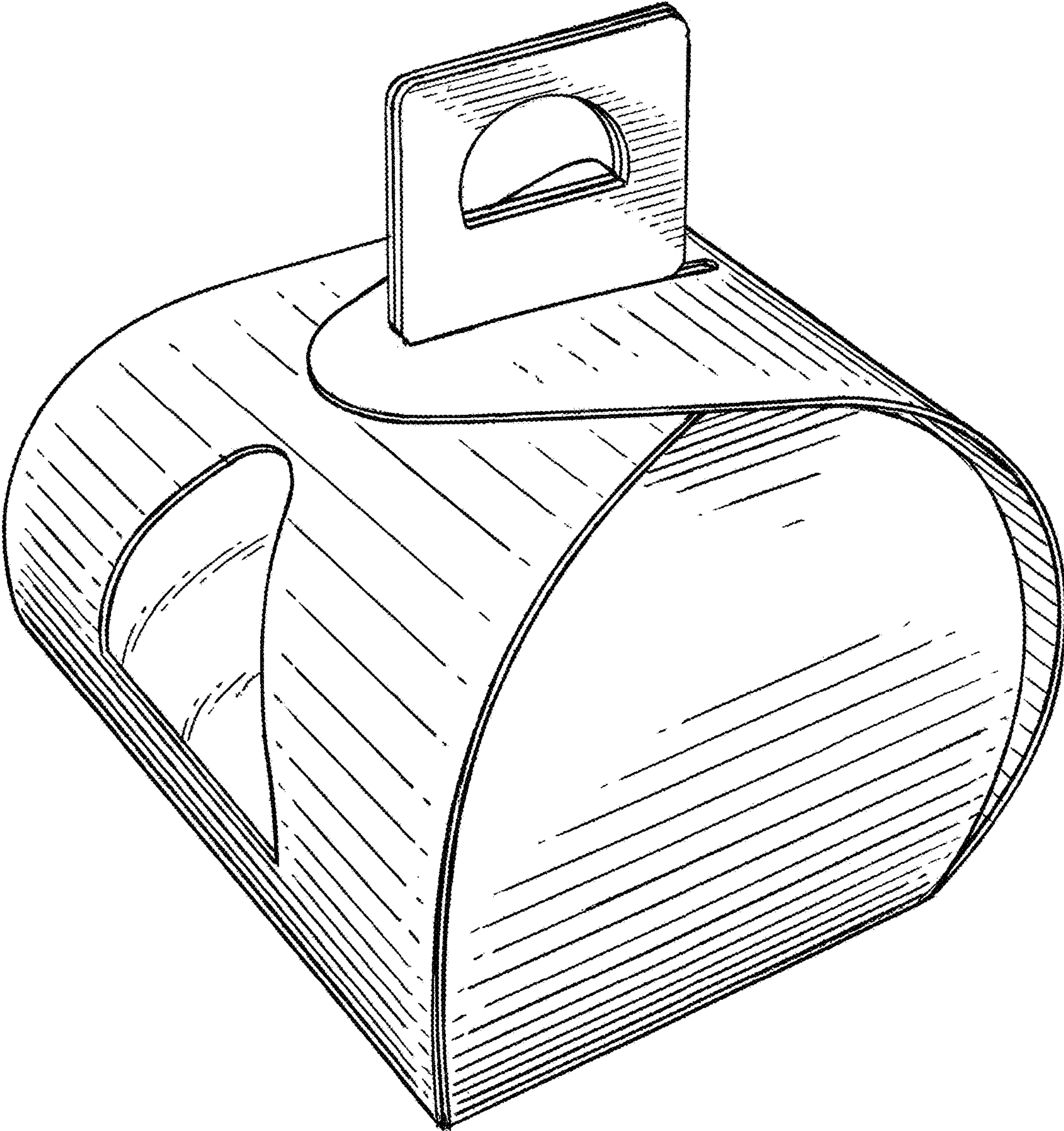




FIG.2

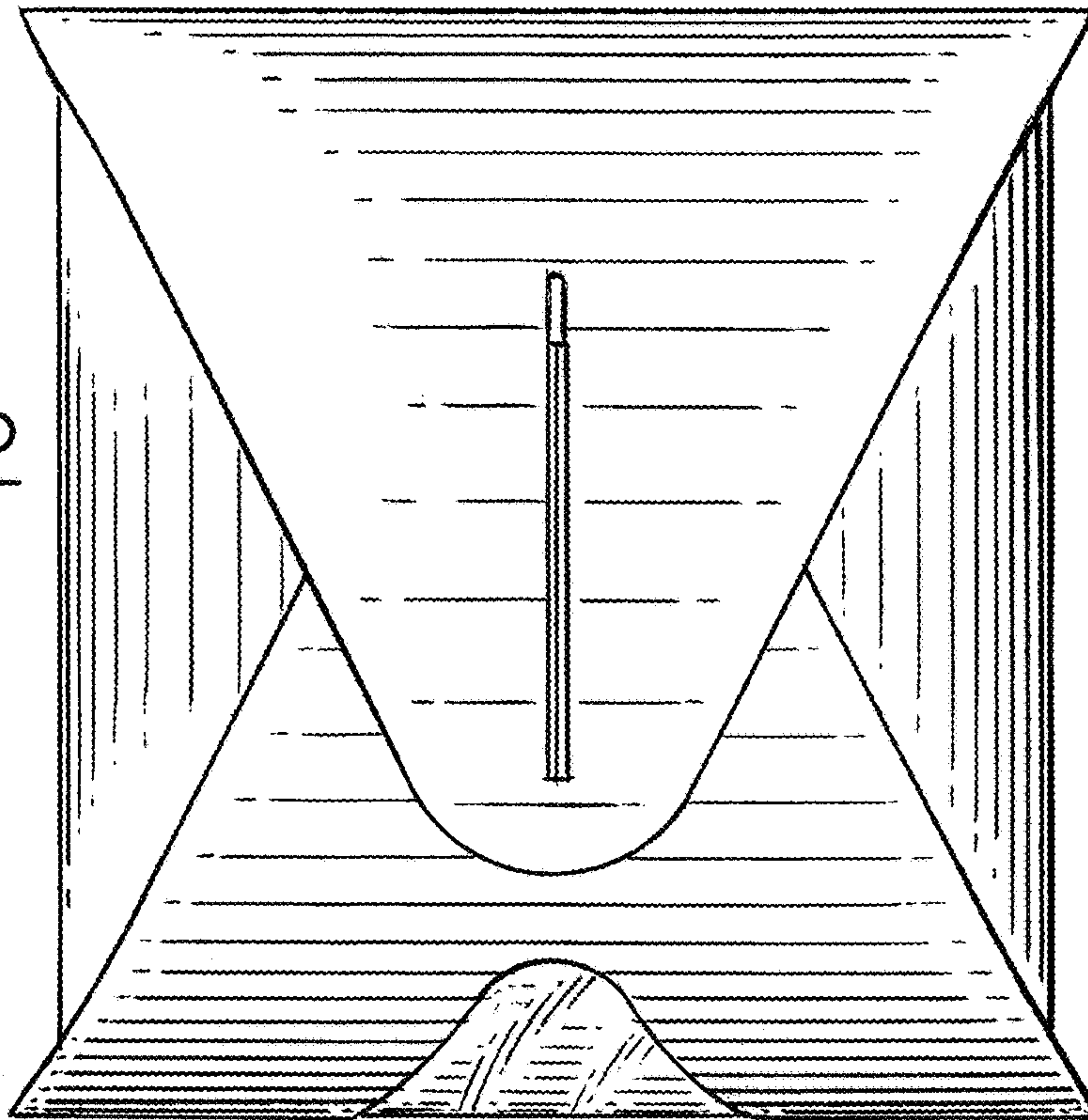


FIG.3

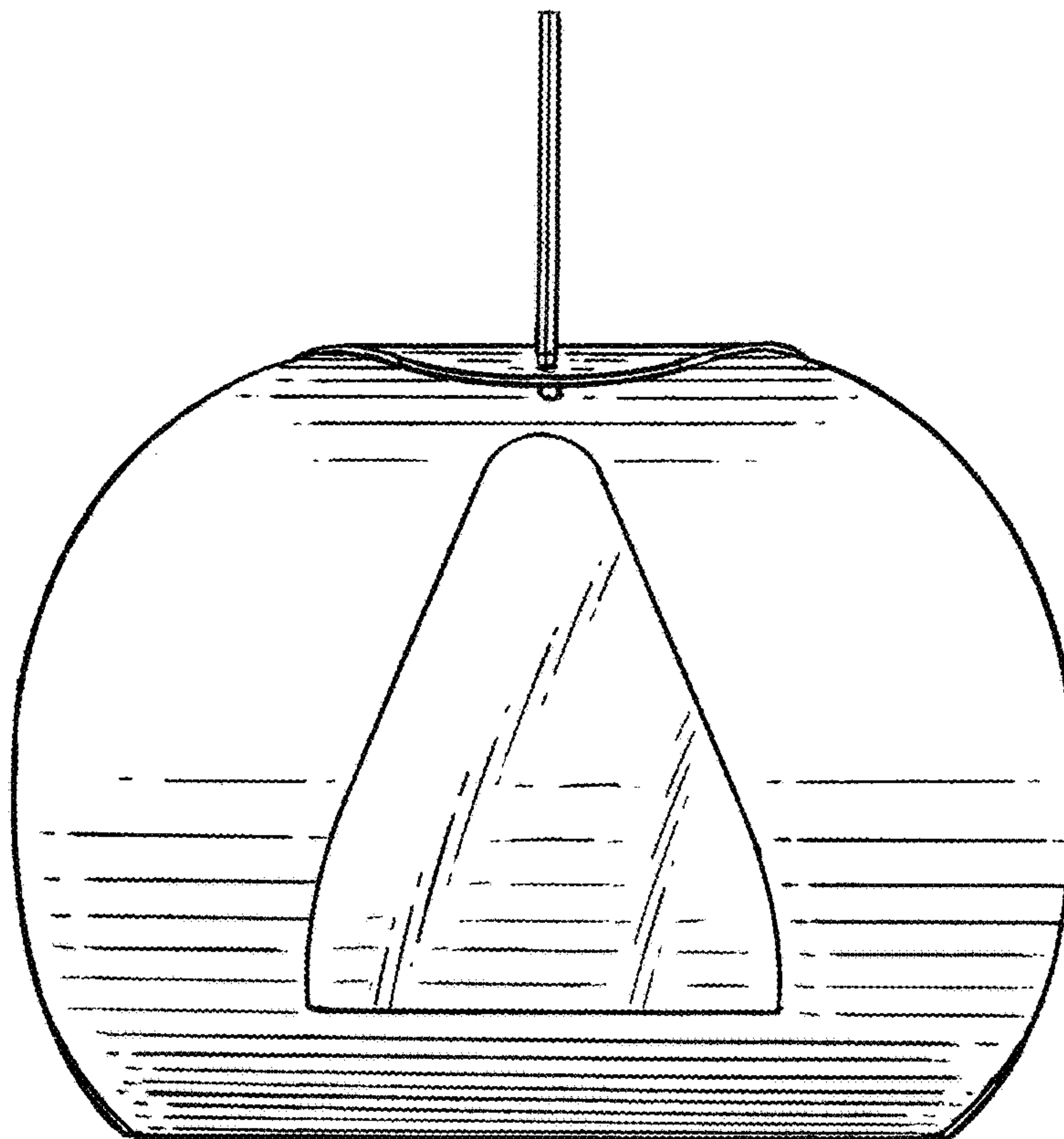


FIG.4

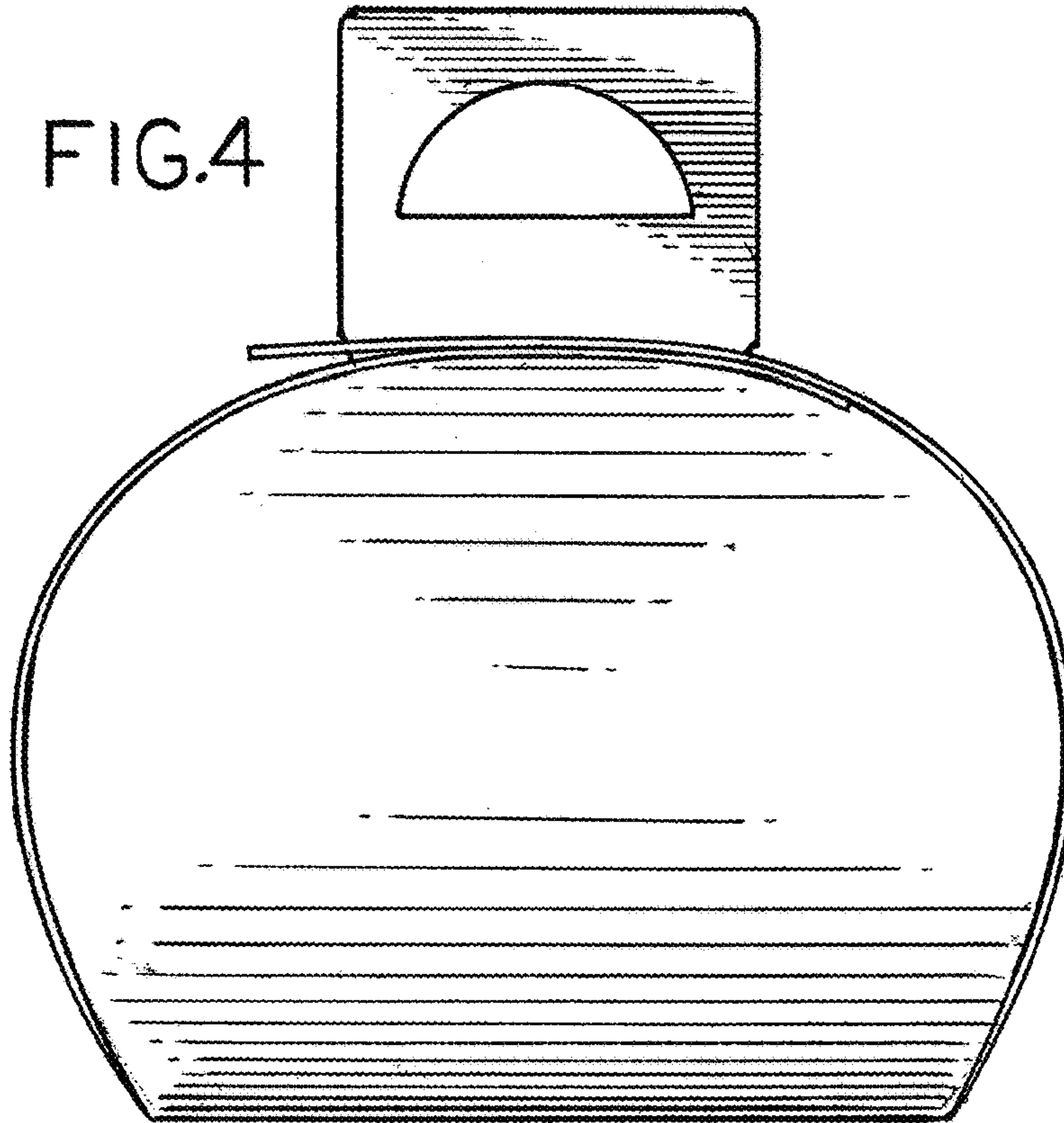


FIG.5

