



US00D833864S

(12) **United States Design Patent**
Tham et al.

(10) **Patent No.:** **US D833,864 S**

(45) **Date of Patent:** **** Nov. 20, 2018**

(54) **PRODUCT CONTAINER**

(71) Applicant: **WM. WRIGLEY JR. COMPANY,**
Chicago, IL (US)

(72) Inventors: **William Tham,** Palatine, IL (US);
Daniel Daugherty, Nashville, TN (US);
Mike Ciccarello, Chicago, IL (US);
Leah Kopke, Chicago, IL (US); **Paul J.**
Angeloni, Chicago, IL (US); **David**
Jaggi, Oak Park, IL (US); **Christopher**
H. Cunningham, Grays Lake, IL (US)

(73) Assignee: **WM. WRIGLEY JR. COMPANY,**
Chicago, IL (US)

(**) Term: **15 Years**

(21) Appl. No.: **29/621,640**

(22) Filed: **Oct. 10, 2017**

(51) **LOC (11) Cl.** **09-03**

(52) **U.S. Cl.**
USPC **D9/424; D9/414**

(58) **Field of Classification Search**
USPC D9/414, 424, 425, 430, 432, 529, 730;
D7/629
CPC B65D 43/169; B65D 51/20; B65D 43/22;
B65D 2313/04; B65D 2313/02
See application file for complete search history.

(56) **References Cited**

U.S. PATENT DOCUMENTS

D368,225 S *	3/1996	Bertolini	D9/444
D370,848 S *	6/1996	Dziersk	D9/520
D372,195 S *	7/1996	Gerhart	D9/521
D466,012 S *	11/2002	Baker	D9/416
D534,067 S *	12/2006	Tanner	D9/420
D540,161 S *	4/2007	Terrasi	D9/417

D604,168 S *	11/2009	El Ghouyel	D9/529
D606,873 S *	12/2009	Fischer	D9/453
D607,334 S *	1/2010	Domoy	D9/435
D631,168 S *	1/2011	Bucholtz	D24/224
D650,700 S *	12/2011	Lorenz	D9/686
D694,615 S *	12/2013	Mombelli	D9/414
D734,661 S *	7/2015	Sumida	D9/414
D744,328 S *	12/2015	Ramachandran	D9/420
D749,943 S *	2/2016	Mitten	D9/423
D819,440 S *	6/2018	Cunningham	D9/420
D821,869 S *	7/2018	Cheng	D9/424
2009/0261105 A1 *	10/2009	Cunningham	B65F 1/06 220/495.08
2016/0023816 A1 *	1/2016	Giraud	B65D 43/16 220/263

* cited by examiner

Primary Examiner — Lauren R Calve

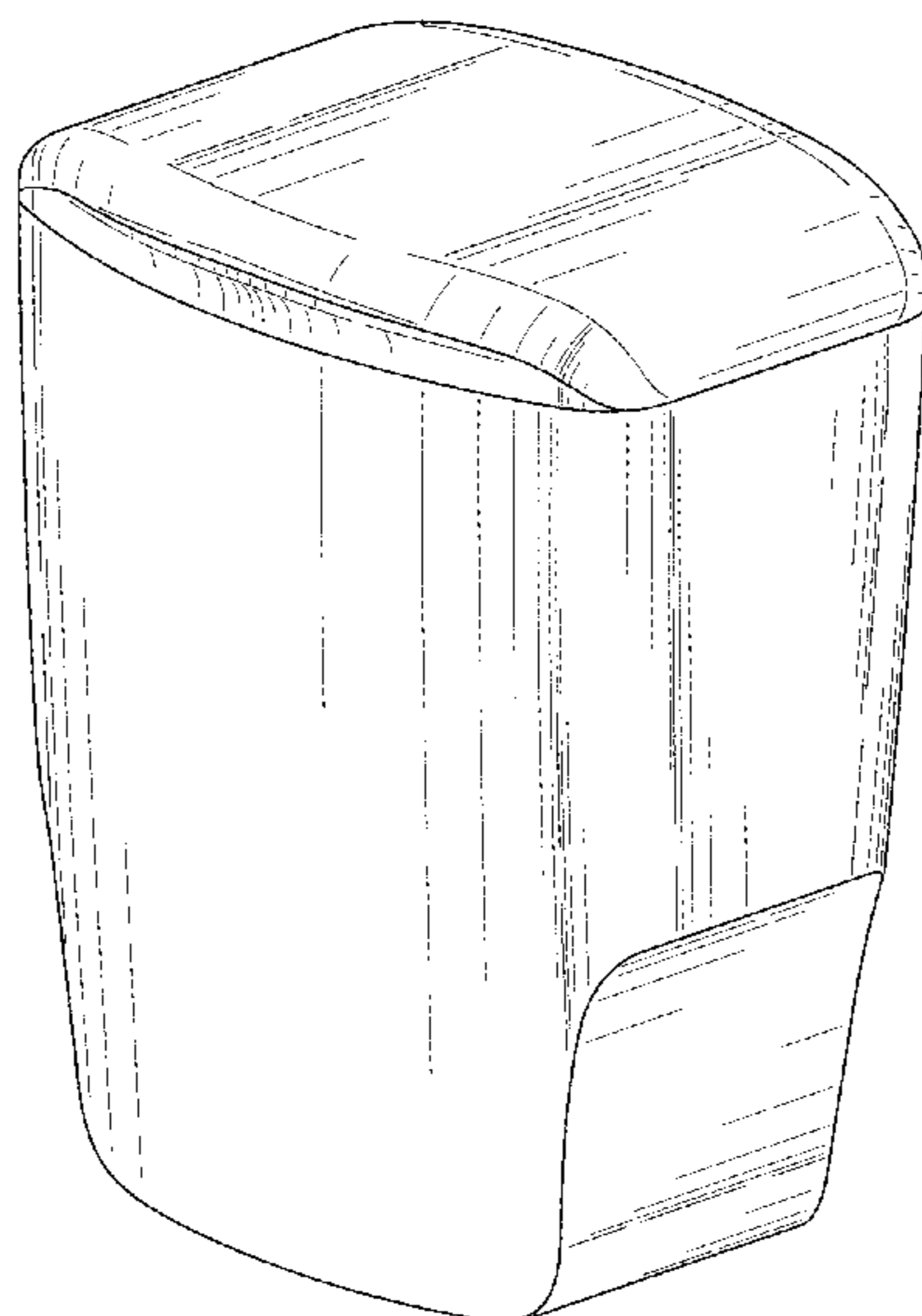
(57) **CLAIM**

We claim the ornamental design for a product container, as substantially shown and described.

DESCRIPTION

FIG. 1 is a perspective view of a product container of the present invention.
FIG. 2 is a front view of the product container of the present invention.
FIG. 3 is a back view of the product container of the present invention.
FIG. 4 is a right side view of the product container of the present invention.
FIG. 5 is a left side view of the product container of the present invention.
FIG. 6 is a top plan view of the product container of the present invention; and,
FIG. 7 is a bottom plan view of the product container of the present invention.

1 Claim, 6 Drawing Sheets



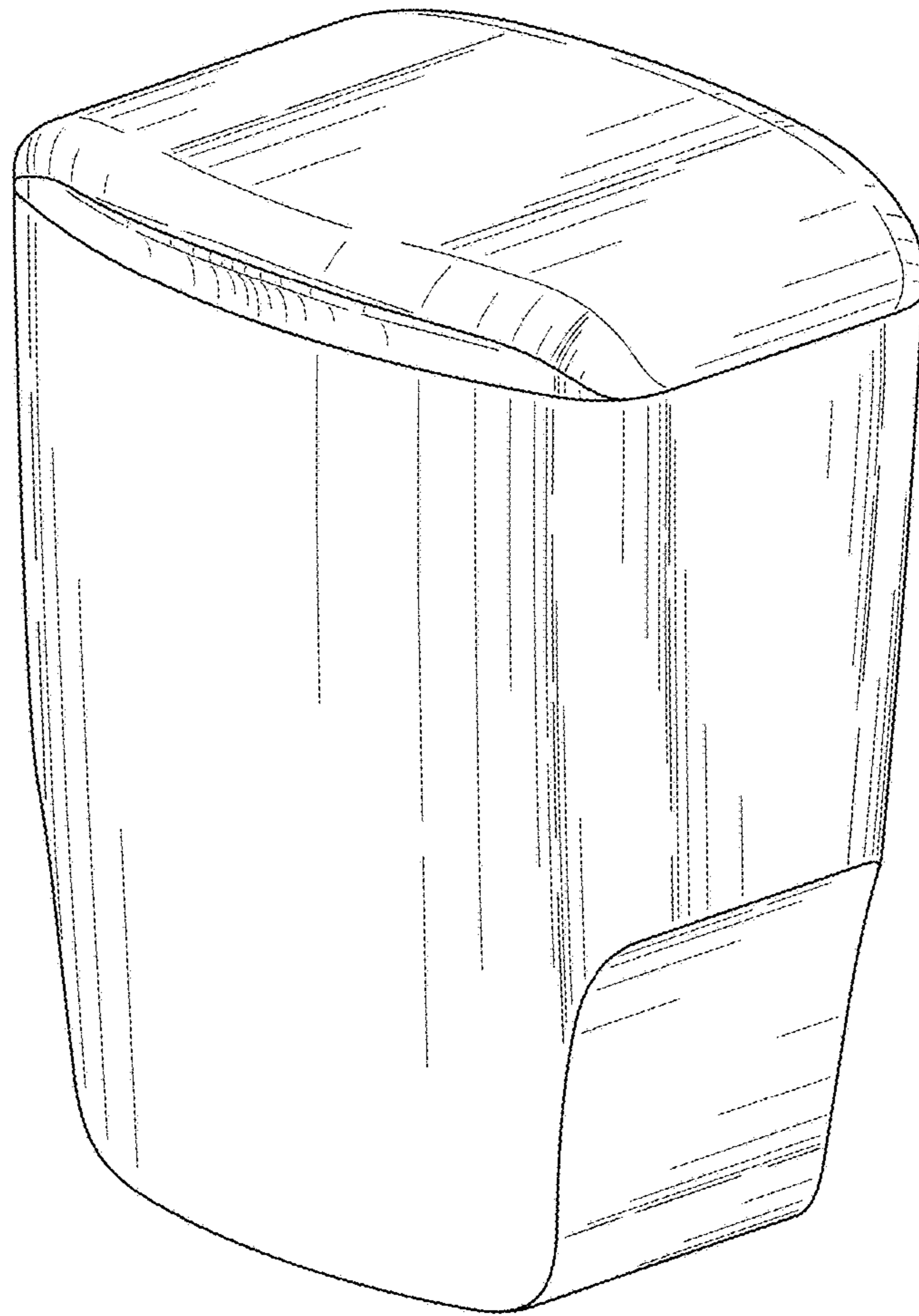


FIG. 1

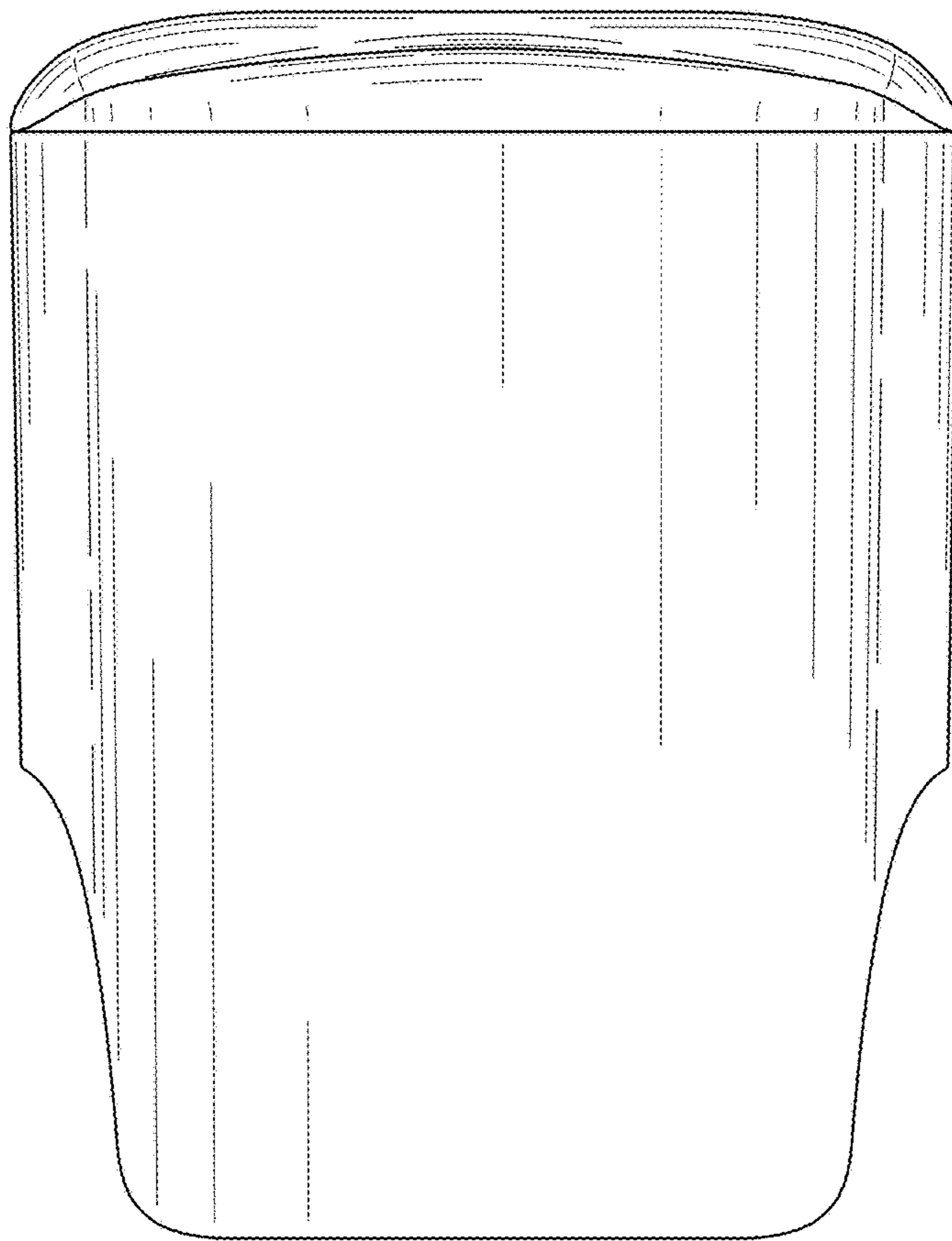


FIG. 2

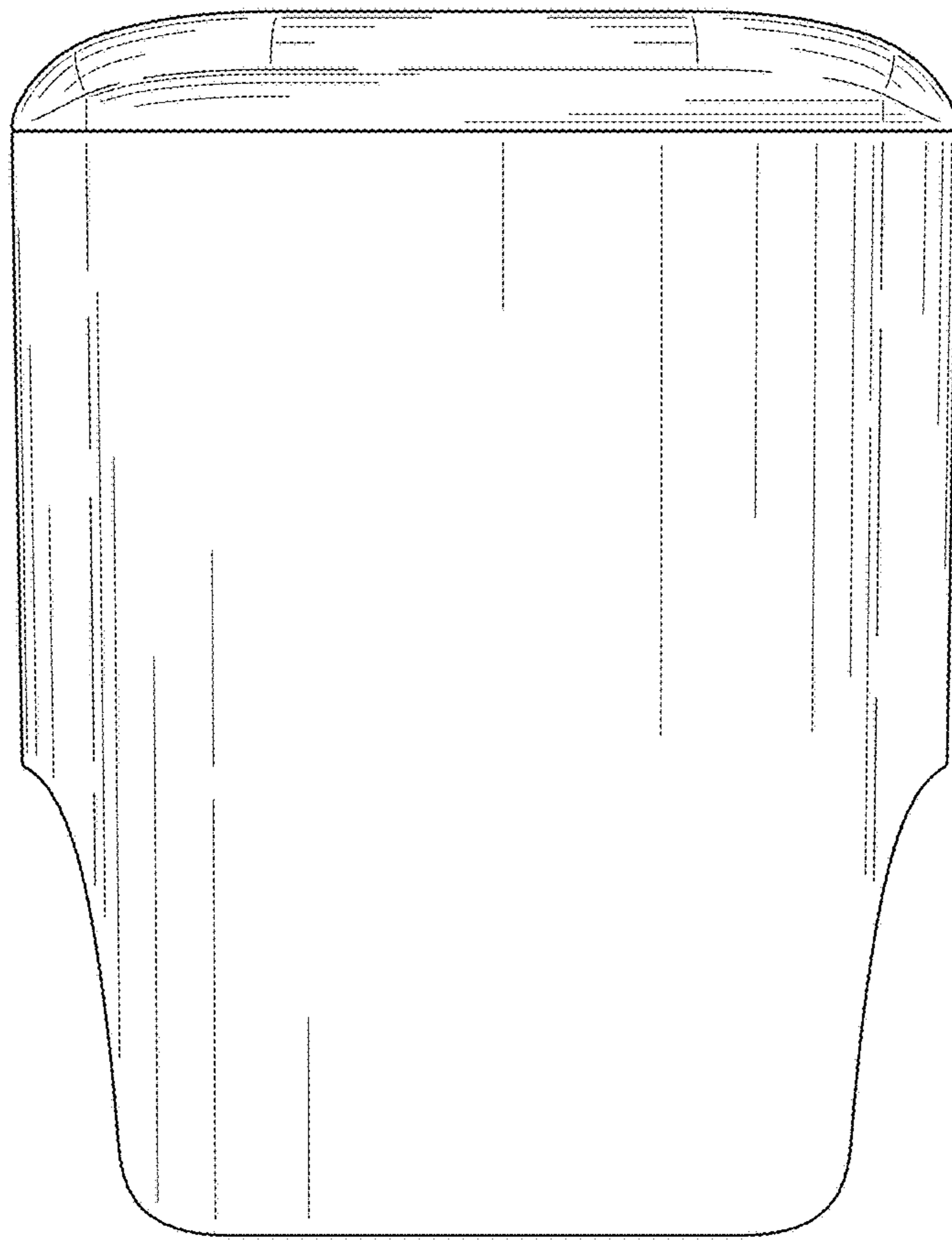


FIG. 3

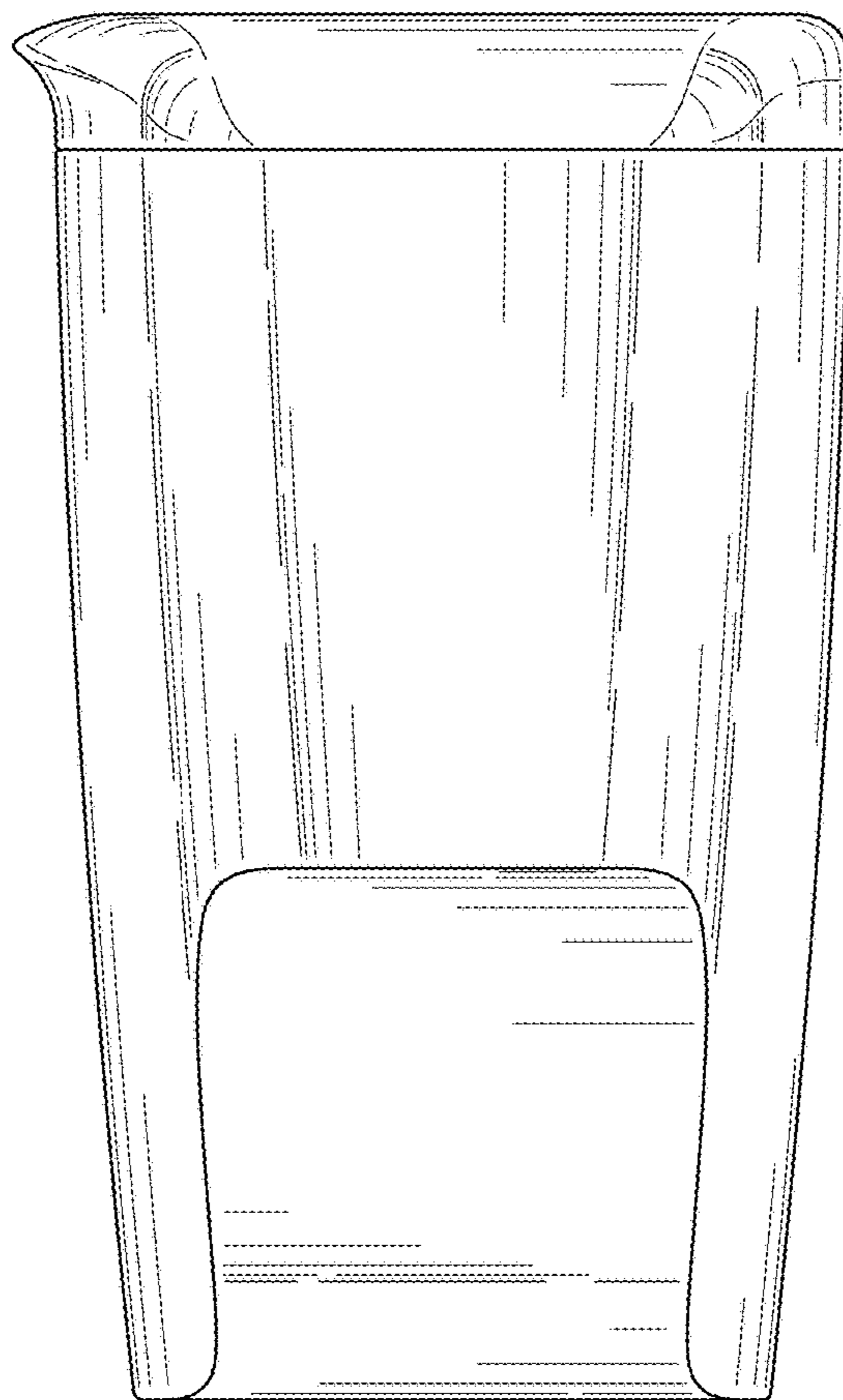


FIG. 4

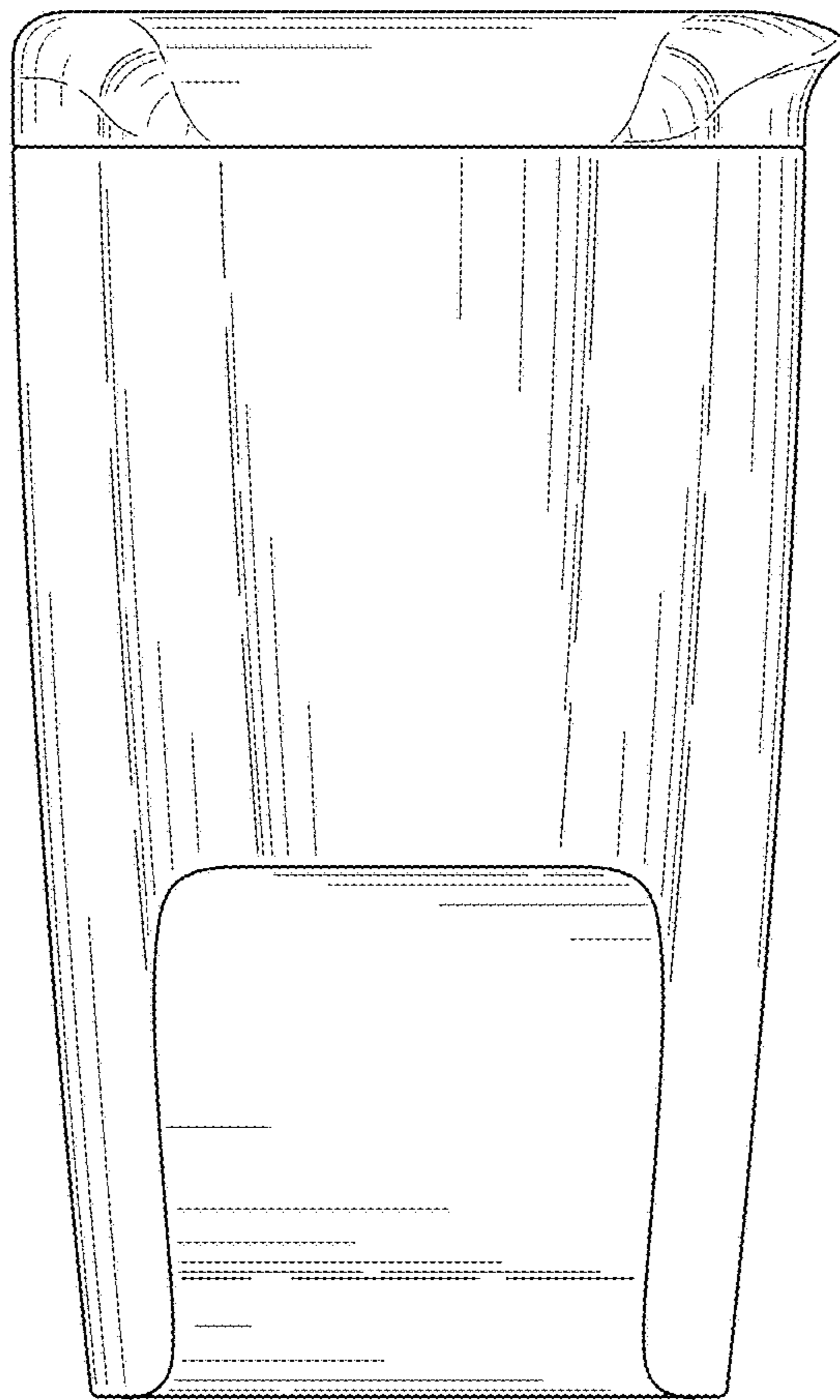


FIG. 5

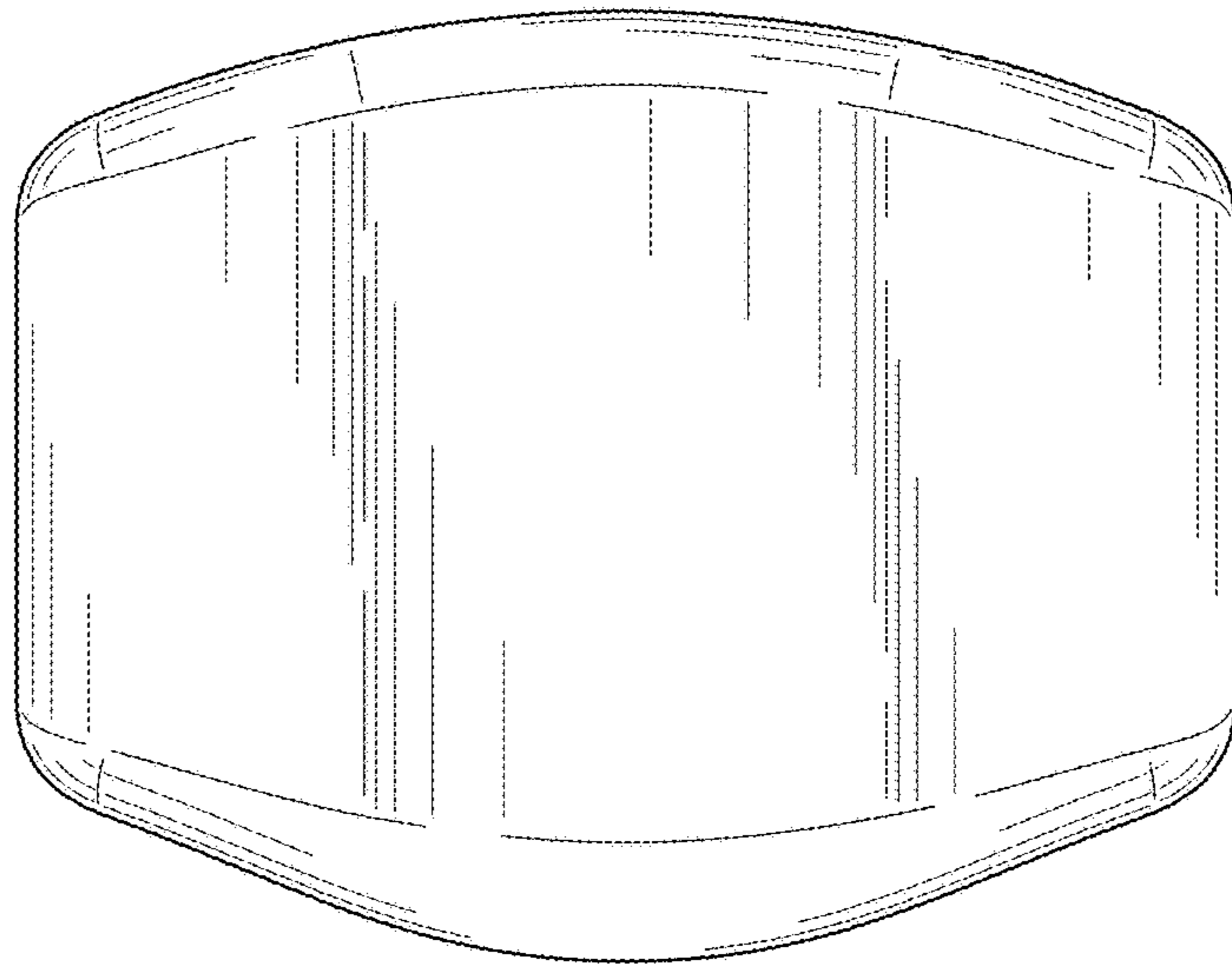


FIG. 6

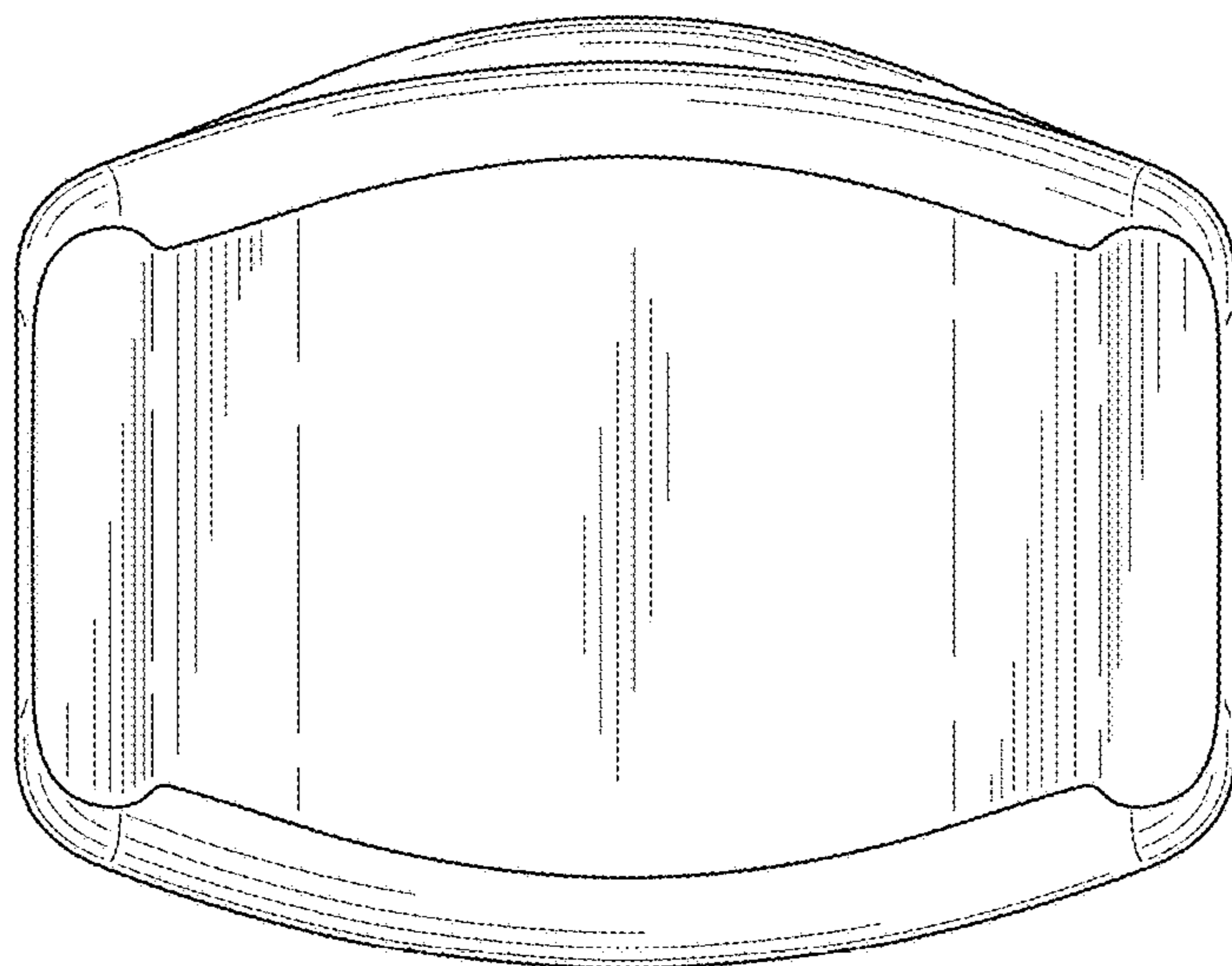


FIG. 7