



US00D833862S

(12) **United States Design Patent**
Nelson et al.

(10) **Patent No.: US D833,862 S**

(45) **Date of Patent: ** Nov. 20, 2018**

(54) **PRODUCE CONTAINER**

(71) Applicant: **JAJAC, Ltd.**, Carlisle, PA (US)

(72) Inventors: **J. David Nelson**, Summit Point, WV (US); **Edwin Schimmel**, Lancaster, PA (US); **Kevin Grubbs**, Gardners, PA (US)

(73) Assignee: **JAJAC, Ltd.**, Carlisle, PA (US)

(**) Term: **15 Years**

(21) Appl. No.: **29/591,119**

(22) Filed: **Jan. 17, 2017**

(51) **LOC (11) Cl.** **09-03**

(52) **U.S. Cl.**
USPC **D9/418**; D9/433; D9/432

(58) **Field of Classification Search**
USPC D9/414-419, 420-423, 430-434,
D9/721-722; D3/290, 304, 305, 315;
D20/10, 22, 27, 40, 42
(Continued)

(56) **References Cited**

U.S. PATENT DOCUMENTS

3,058,643 A * 10/1962 Wilson B65D 5/00
220/560.15
D244,584 S * 6/1977 Booth D9/433
(Continued)

OTHER PUBLICATIONS

Produce Deline Box Certified Organic. [online] Published on Apr. 9, 2013. Retrieved Dec. 19, 2017 from URL: http://www.delinebox.com/success-stories/produce.*

(Continued)

Primary Examiner — Vy N Koenig

(74) *Attorney, Agent, or Firm* — Barley Snyder

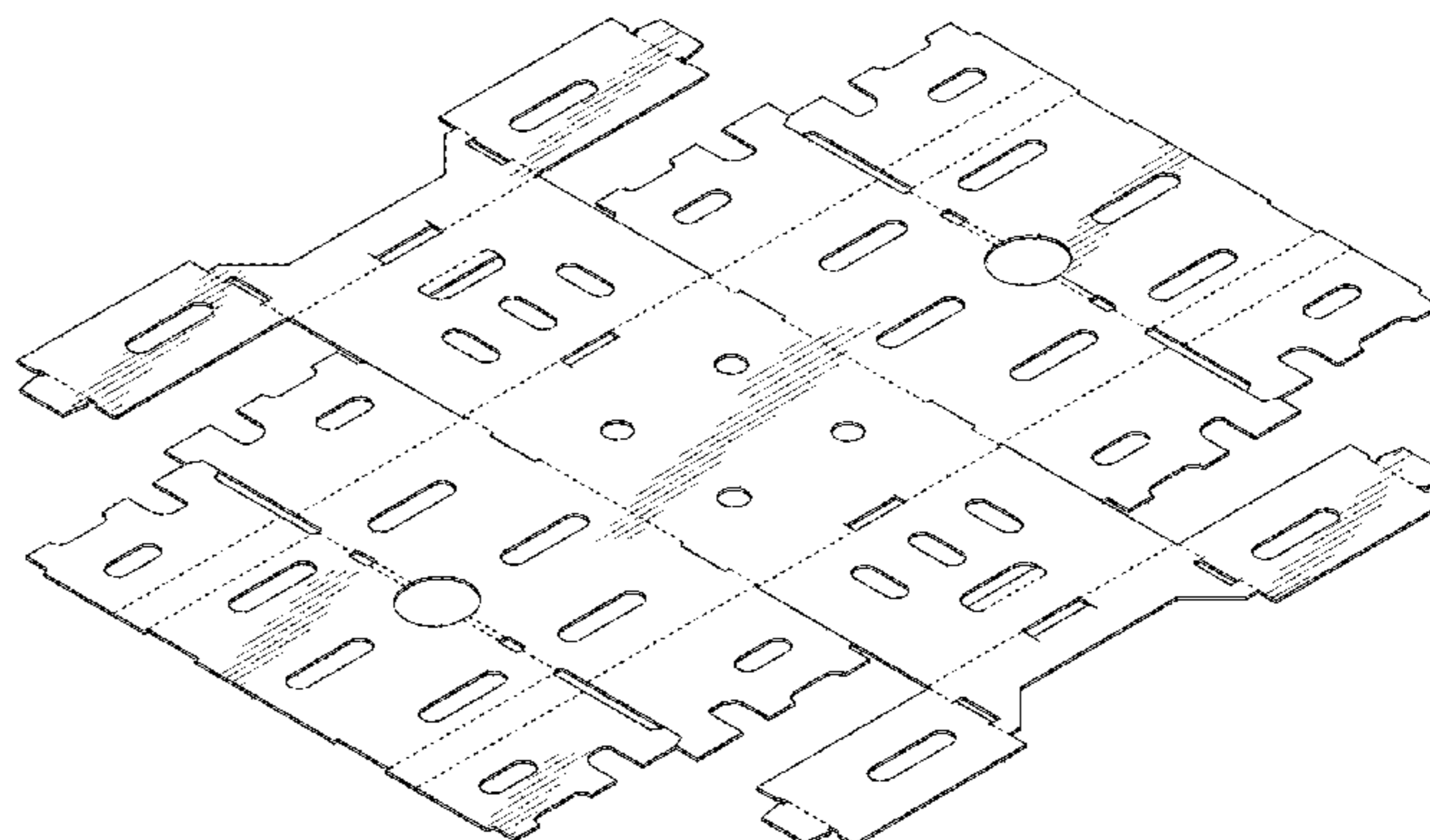
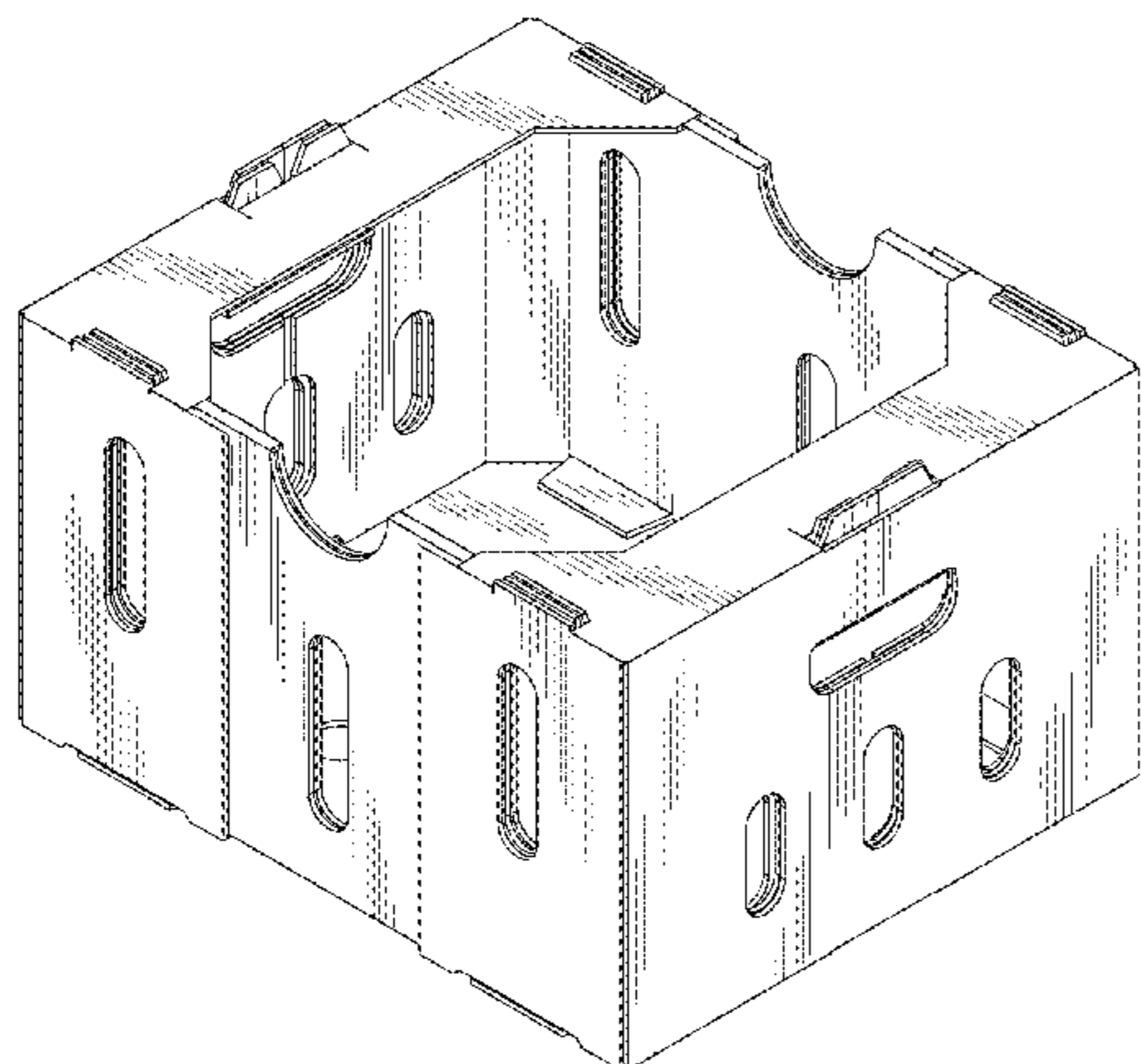
(57) **CLAIM**

The ornamental design for a produce container, as shown and described.

DESCRIPTION

FIG. 1 is a front, top and right side perspective view of a produce container once constructed in three dimensions; FIG. 2 is a top plan view of the produce container of FIG. 1; FIG. 3 is a bottom plan view of the produce container of FIG. 1; FIG. 4 is a front elevation view of the produce container of FIG. 1; FIG. 5 is a rear elevation view of the produce container of FIG. 1; FIG. 6 is a left side elevation view of the produce container of FIG. 1; FIG. 7 is a right side elevation view of the produce container of FIG. 1; FIG. 8 is a front, bottom and right perspective view of the produce container of FIG. 1; FIG. 9 is a front, top and left perspective view of the produce container of FIG. 1; FIG. 10 is a front, top and right side perspective view of a produce container before being constructed in three dimensions; FIG. 11 is a top plan view of the produce container of FIG. 10; FIG. 12 is a bottom plan view of the produce container of FIG. 10; FIG. 13 is a front elevation view of the produce container of FIG. 10; FIG. 14 is a rear elevation view of the produce container of FIG. 10; FIG. 15 is a left side elevation view of the produce container of FIG. 10; FIG. 16 is a right side elevation view of the produce container of FIGS. 10; and, FIG. 17 is a front, bottom and right perspective view of the produce container of FIG. 10.

(Continued)



The broken lines shown in the Figures are included to show unclaimed subject matter only and form no part of the claimed design.

1 Claim, 14 Drawing Sheets

(58) Field of Classification Search

CPC B65D 5/00; B65D 5/0015; B65D 5/061;
B65D 5/18; B65D 5/20; B65D 5/32;
B65D 5/321; B65D 5/322

See application file for complete search history.

(56) References Cited

U.S. PATENT DOCUMENTS

4,084,740 A * 4/1978 Lorenz B65D 5/32
229/117.16
D541,149 S * 4/2007 Moorman D9/431
D795,691 S * 8/2017 Bankowski D9/433
D797,554 S * 9/2017 Bankowski D9/433

D798,142 S * 9/2017 Falcon D9/418
2003/0146272 A1* 8/2003 Kent B65D 5/0015
229/171
2010/0032334 A1* 2/2010 Weideman B65D 5/0015
206/503
2013/0092588 A1* 4/2013 Aksan B65D 81/261
206/503
2013/0302489 A1* 11/2013 Marlin, Jr. B65D 5/4295
426/419
2013/0341383 A1* 12/2013 Aksan B65D 5/0015
229/120
2014/0326631 A1* 11/2014 Cotie B31B 1/74
206/509
2016/0122073 A1* 5/2016 Aguirre B65D 5/443
206/509
2017/0283159 A1* 10/2017 Durow B65D 33/2508

OTHER PUBLICATIONS

Produce Deline Box. [online] Published on Apr. 9, 2013. Retrieved Dec. 20, 2017 from URL:<http://www.delinebox.com/success-stories/produce>.*

* cited by examiner

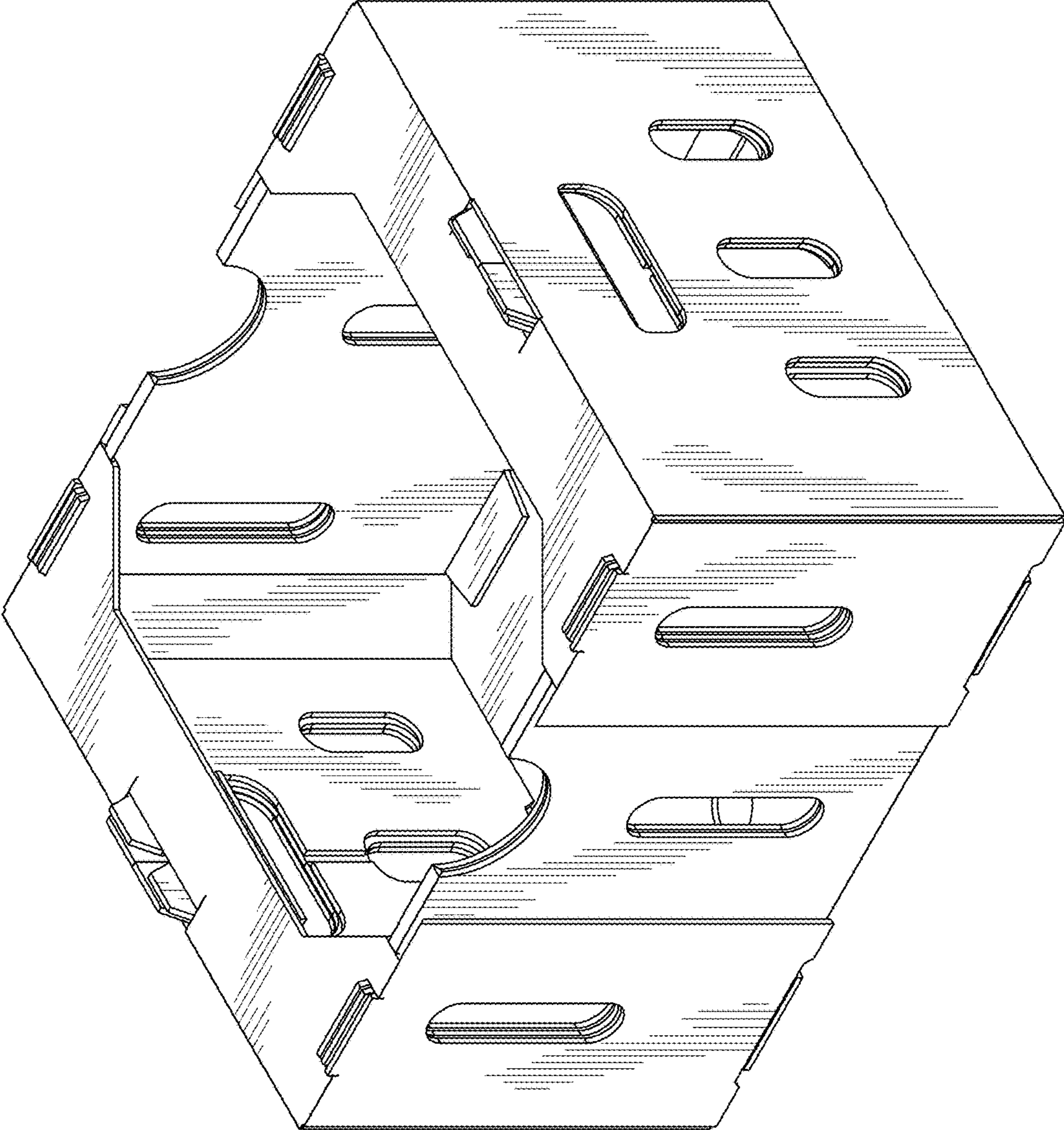


FIG. 1

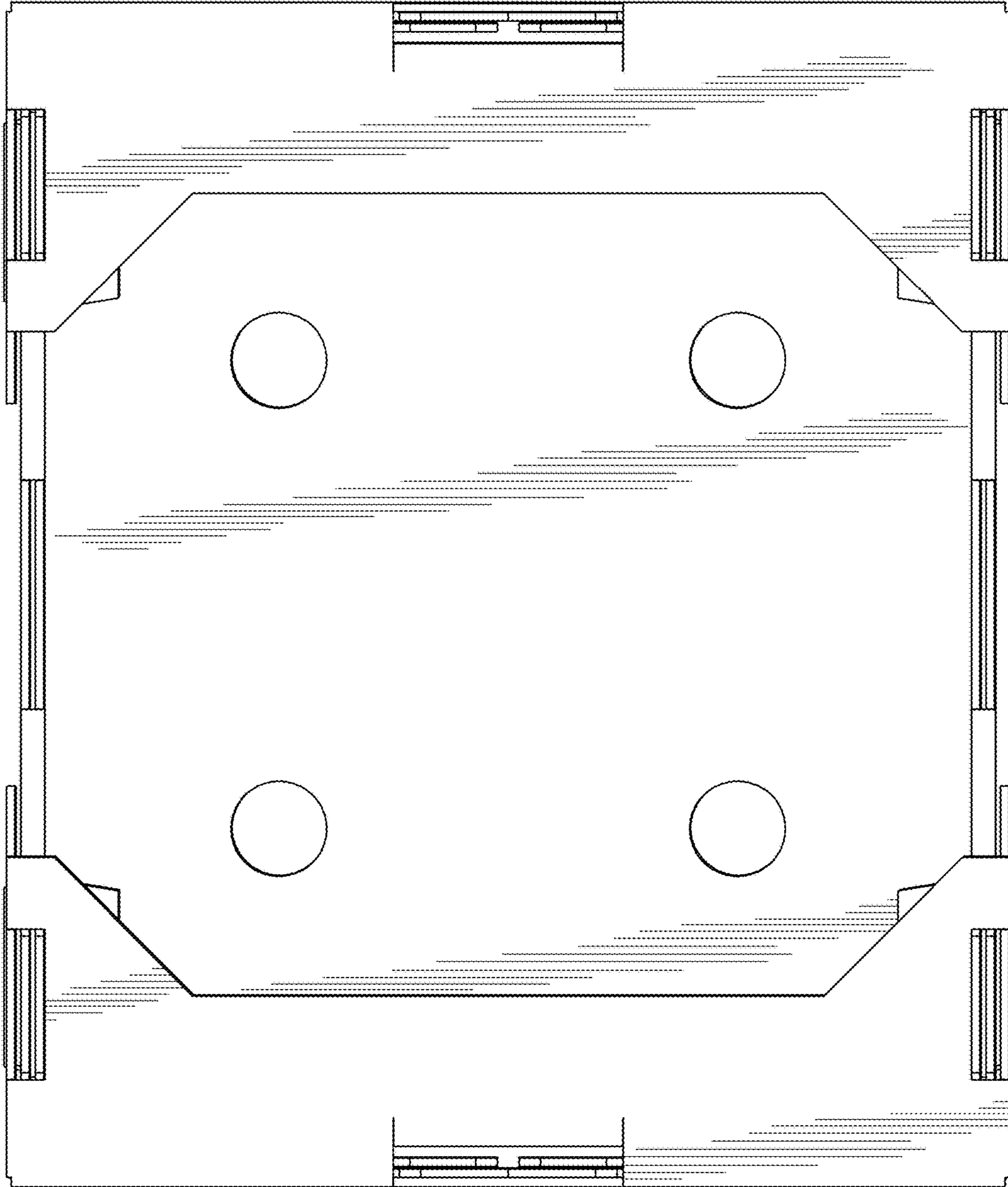


FIG. 2

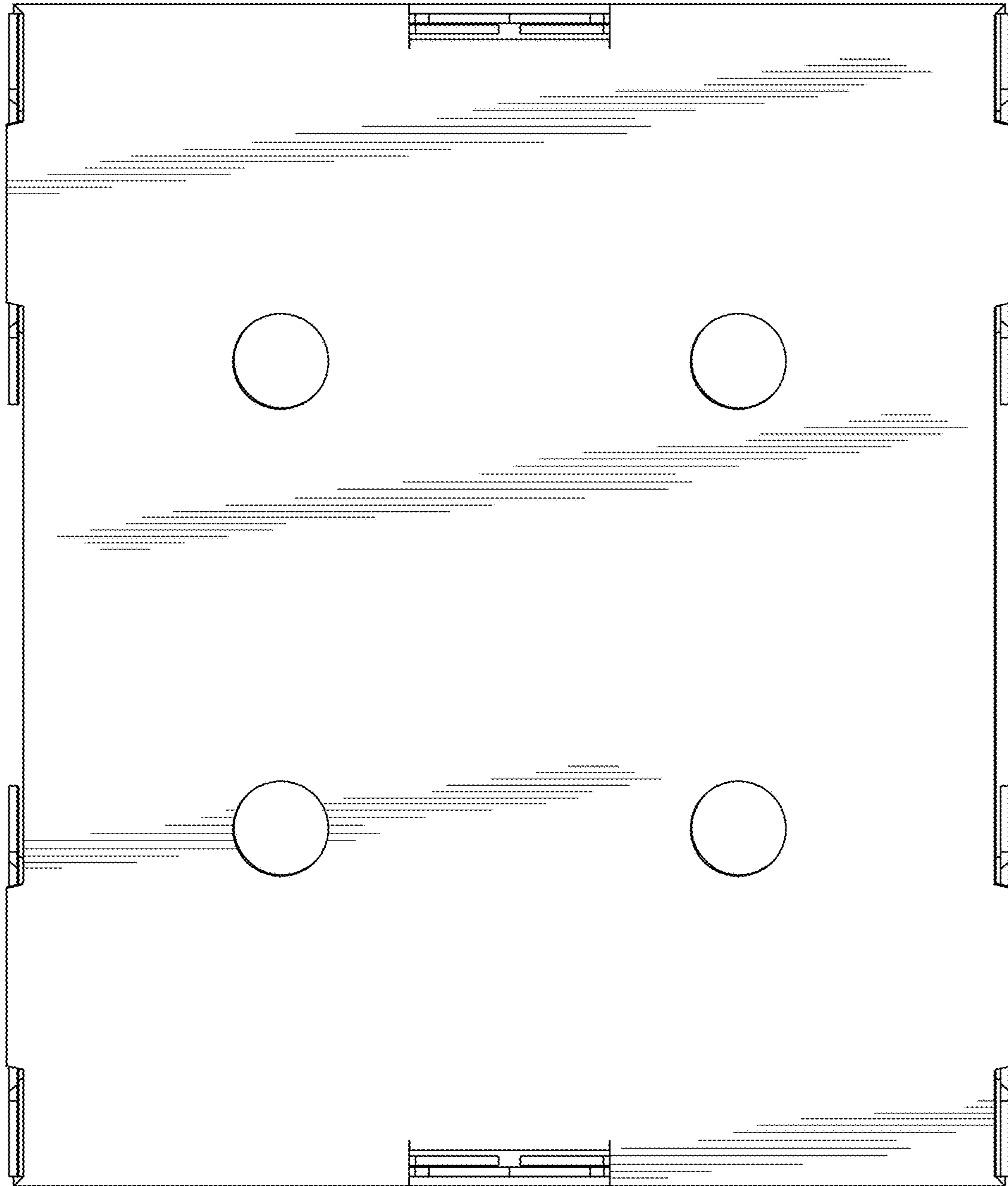


FIG. 3

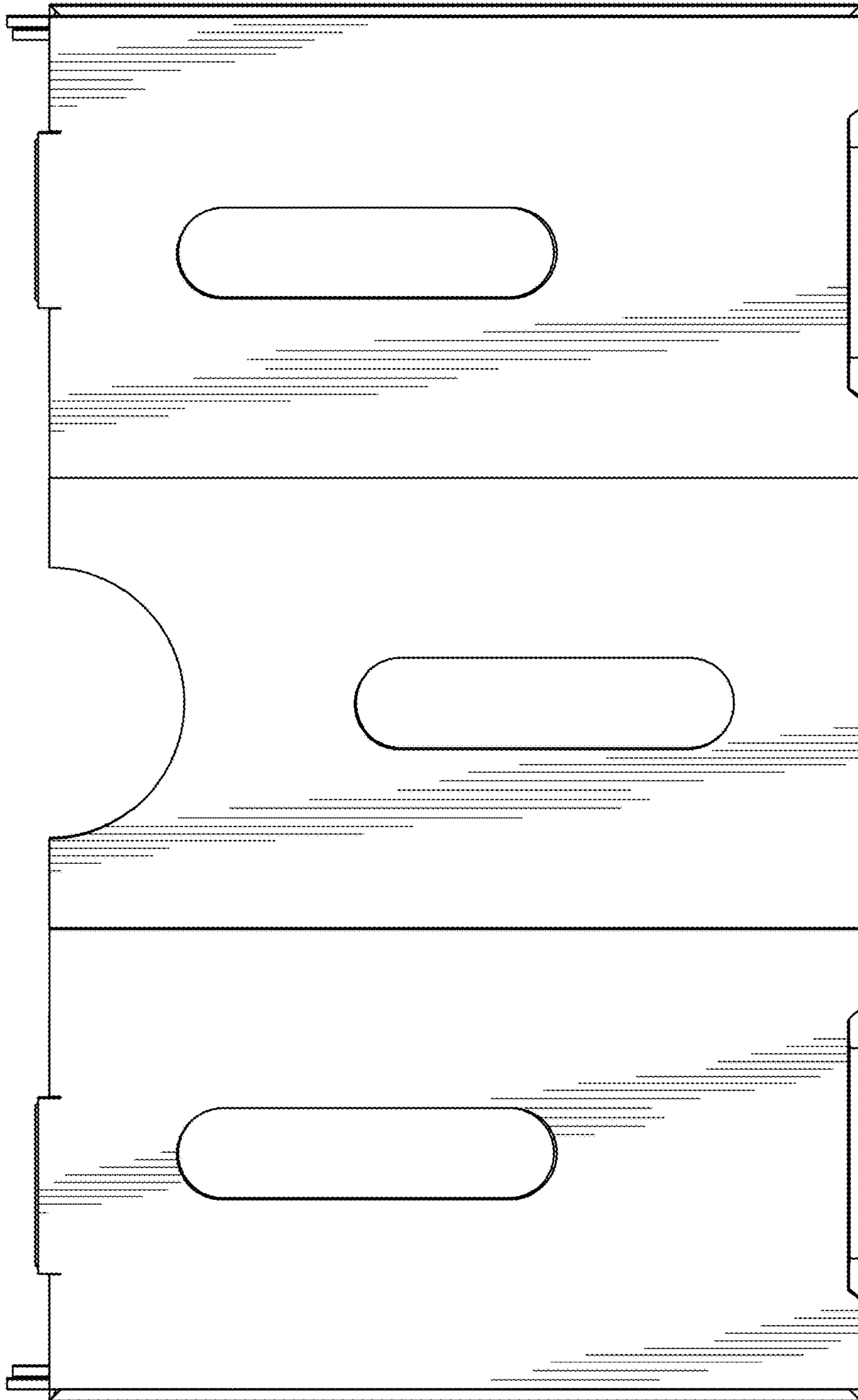


FIG. 4

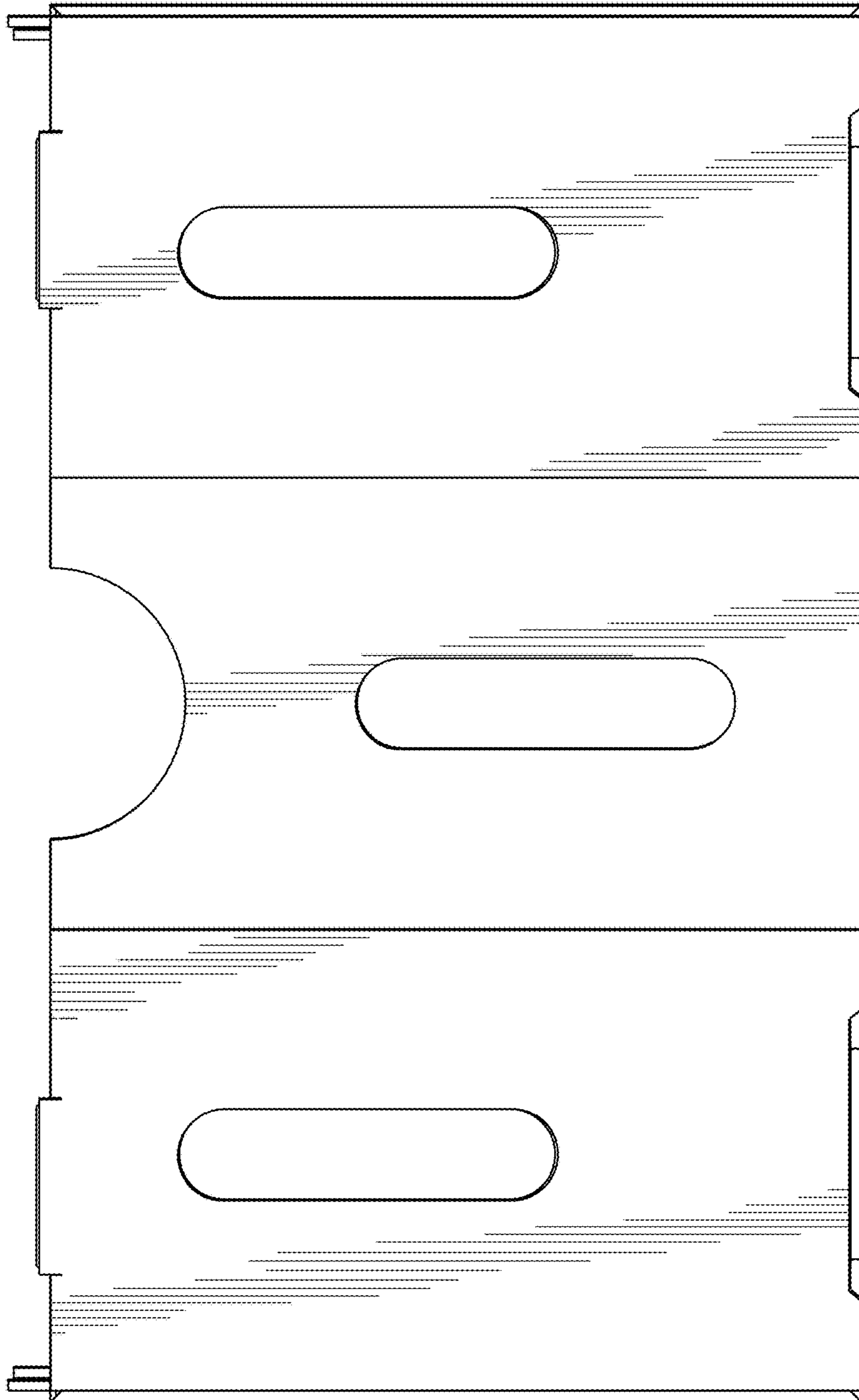


FIG. 5

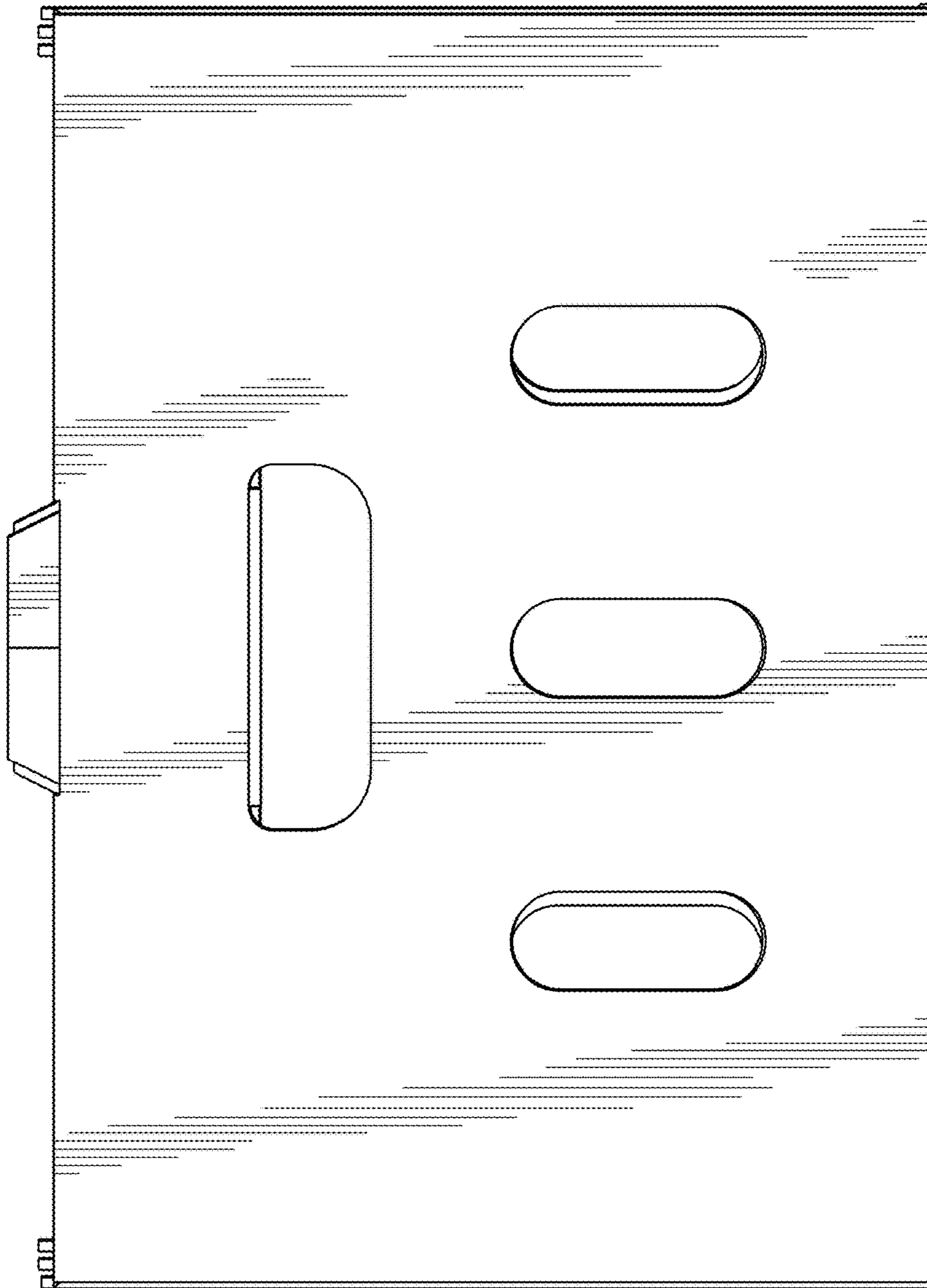


FIG. 6

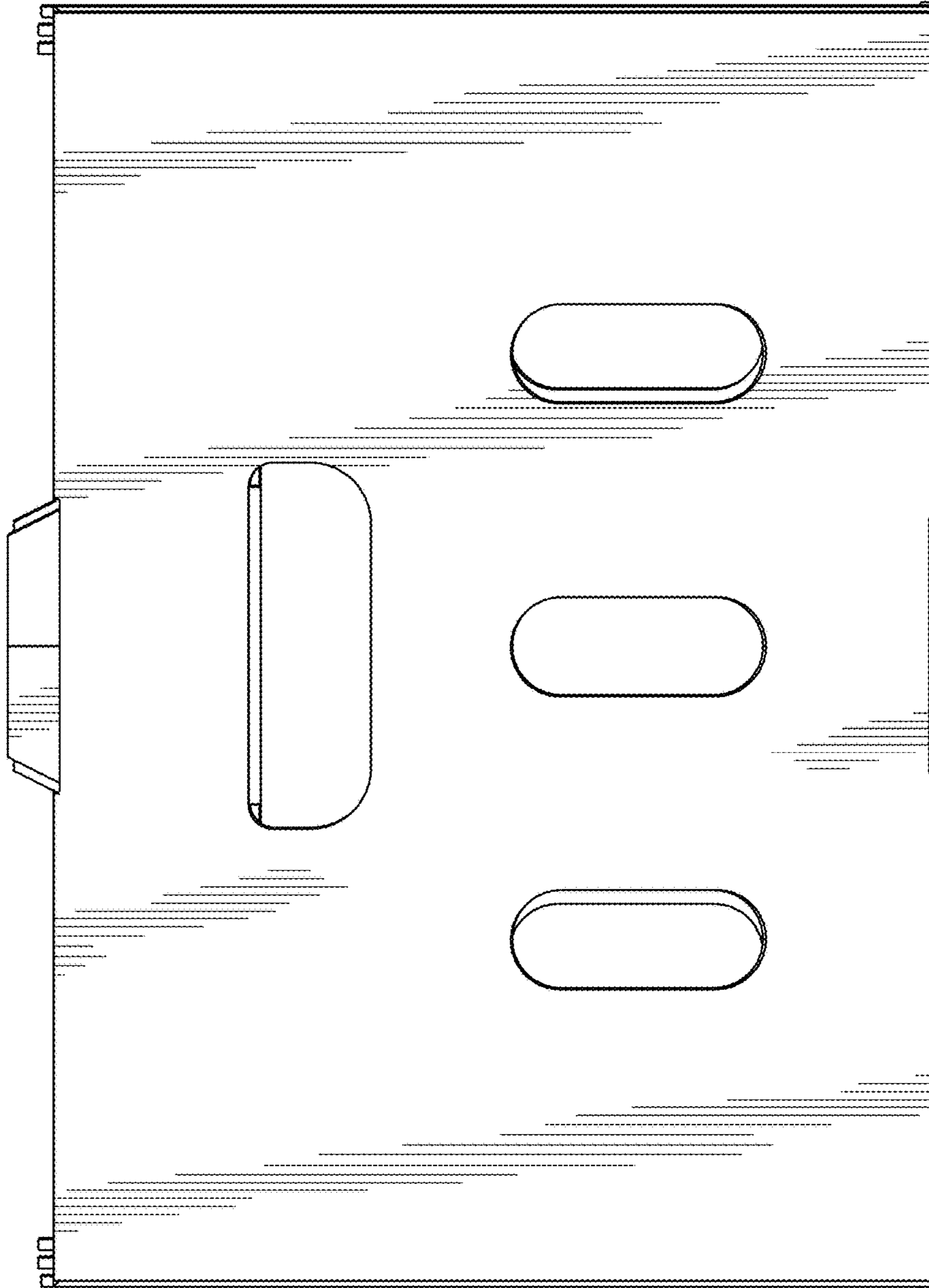


FIG. 7

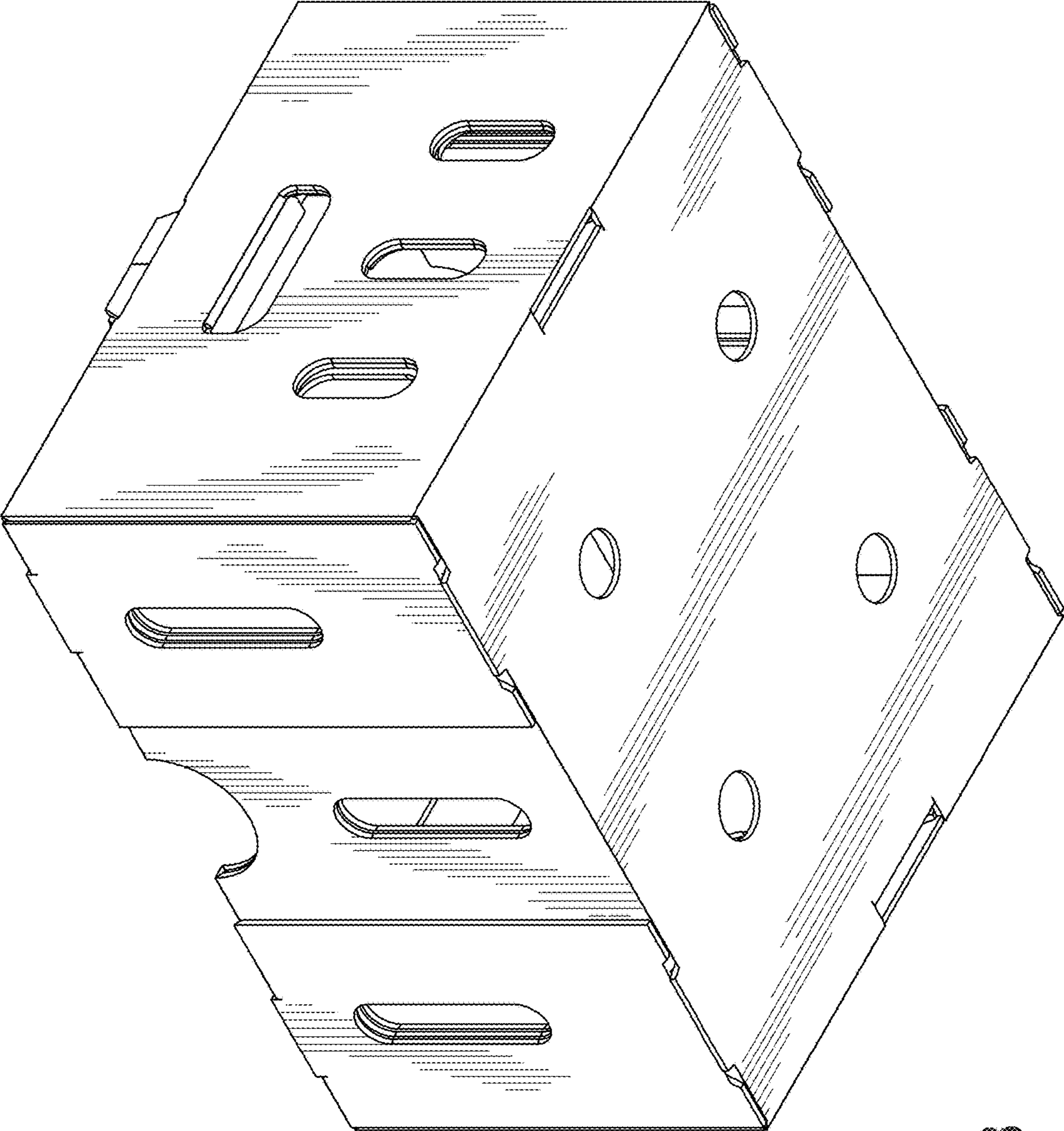


FIG. 8

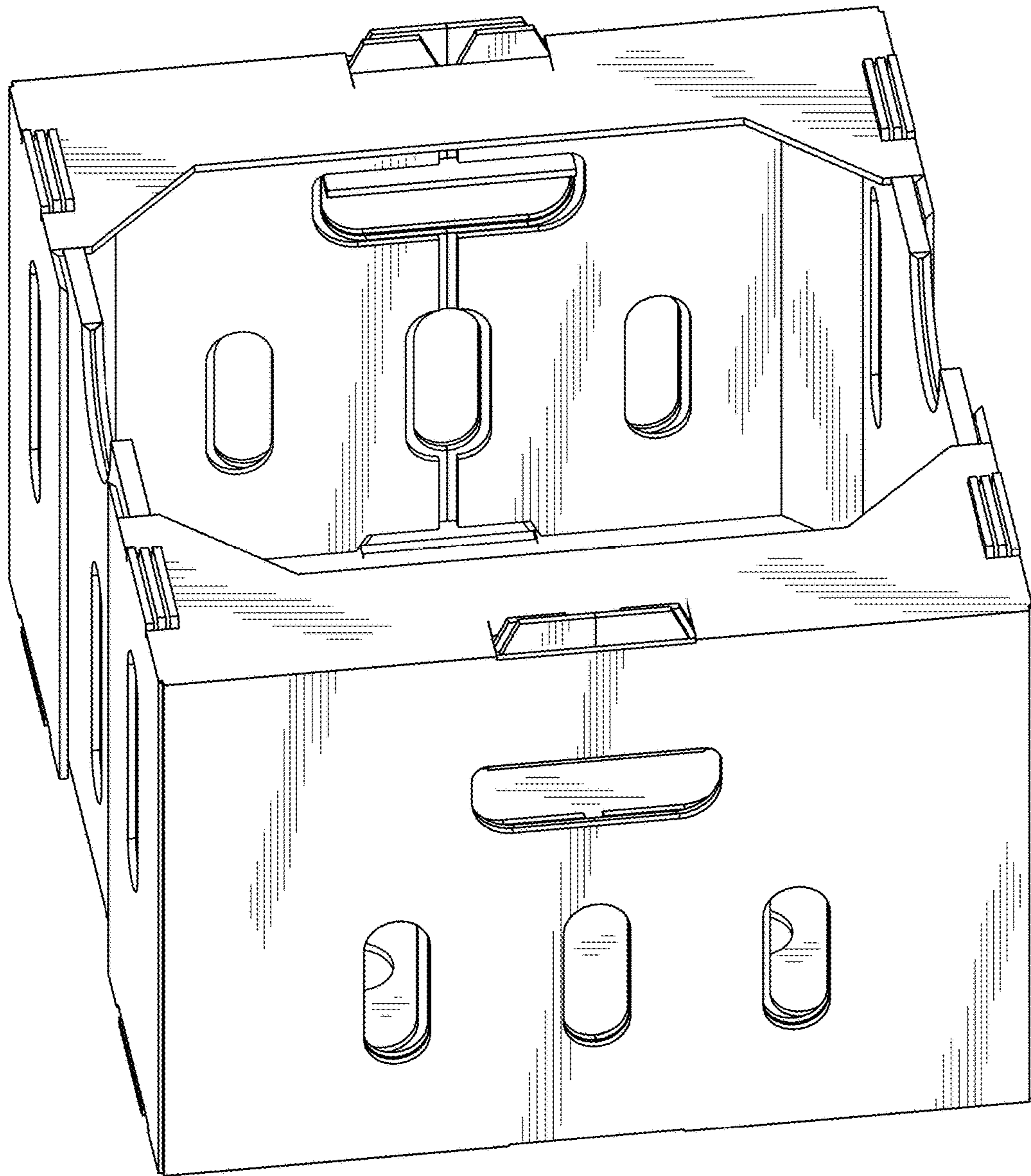


FIG. 9

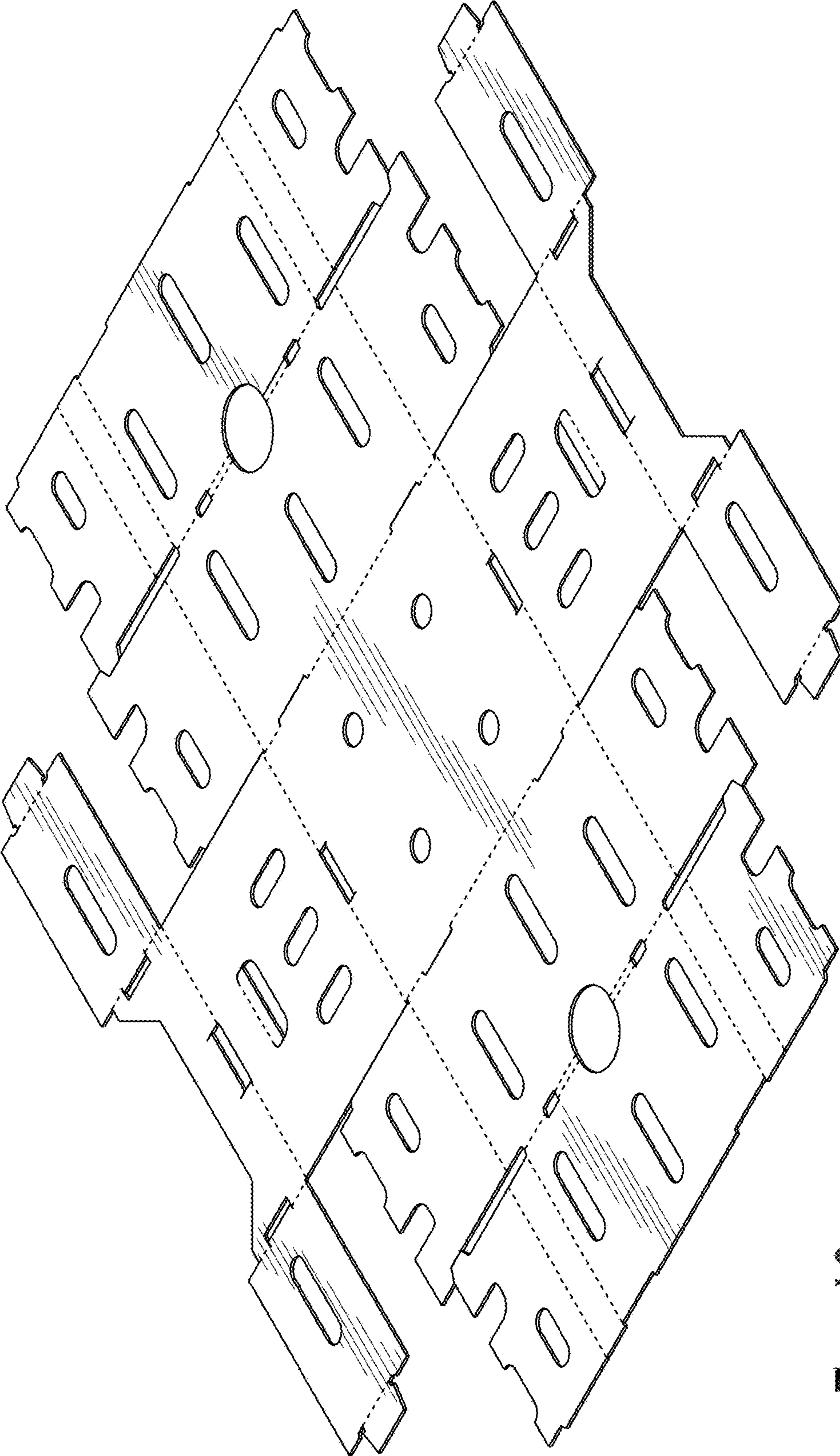


FIG. 10

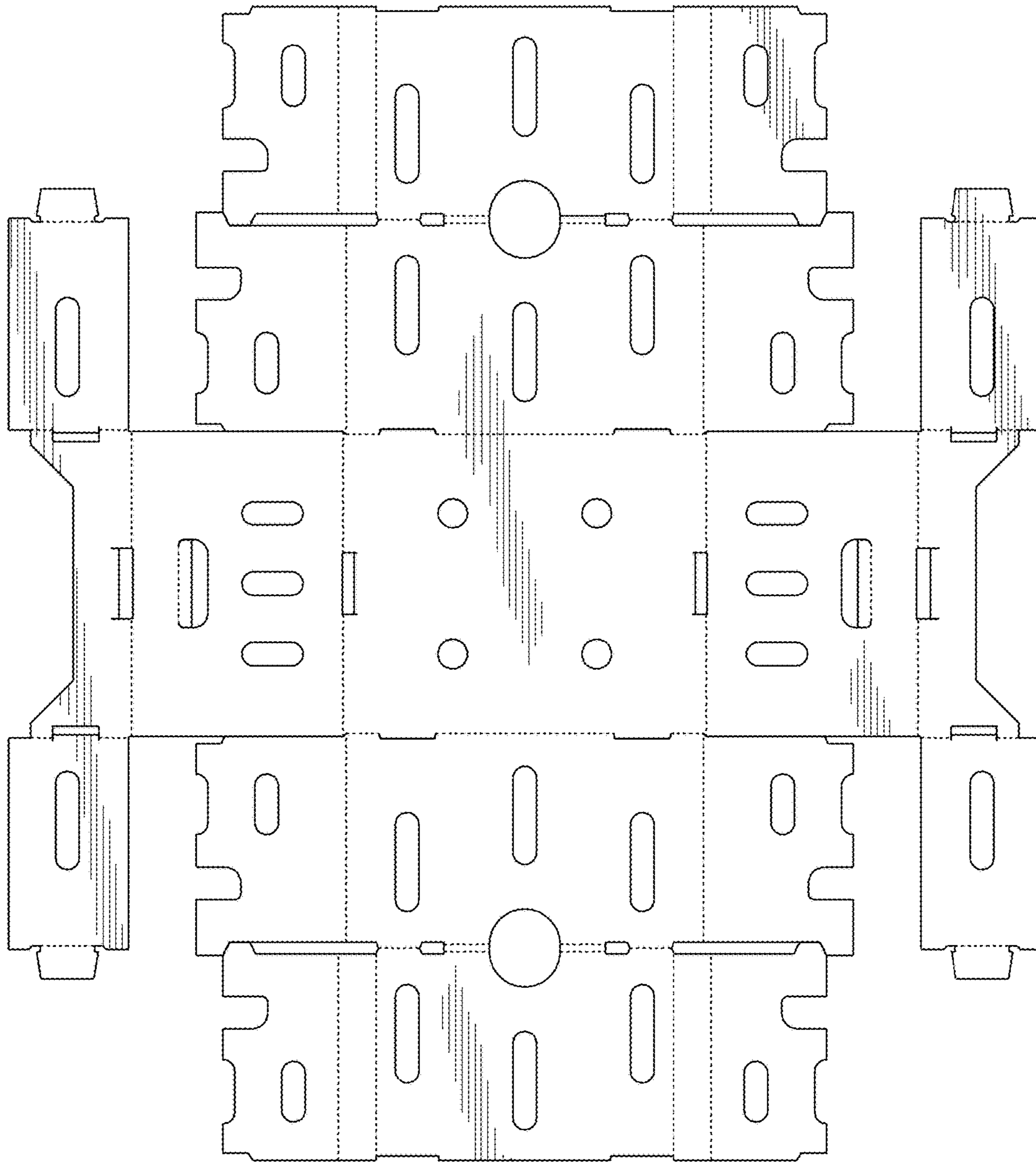


FIG. 11

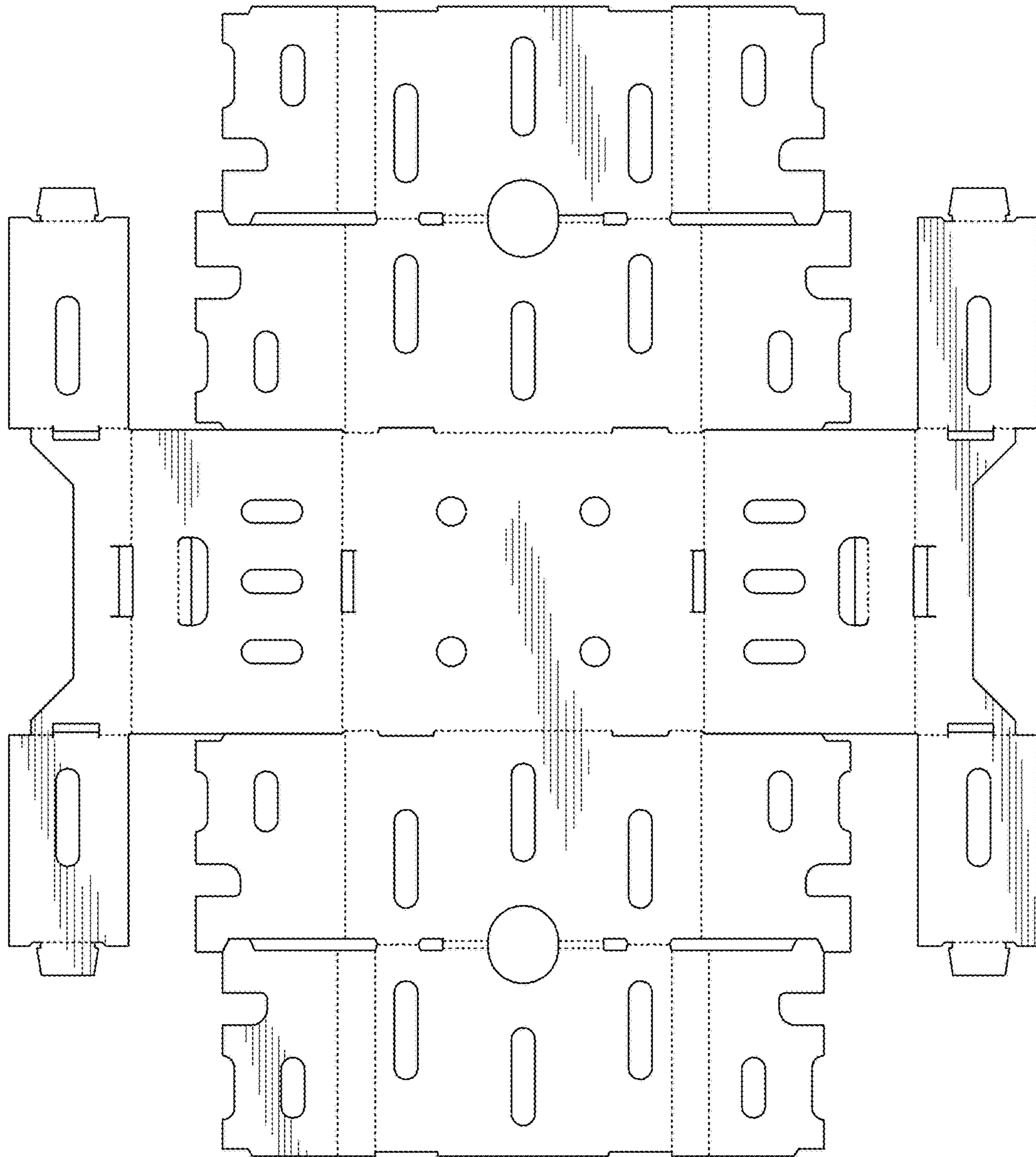


FIG. 12



FIG. 13



FIG. 14



FIG. 15



FIG. 16

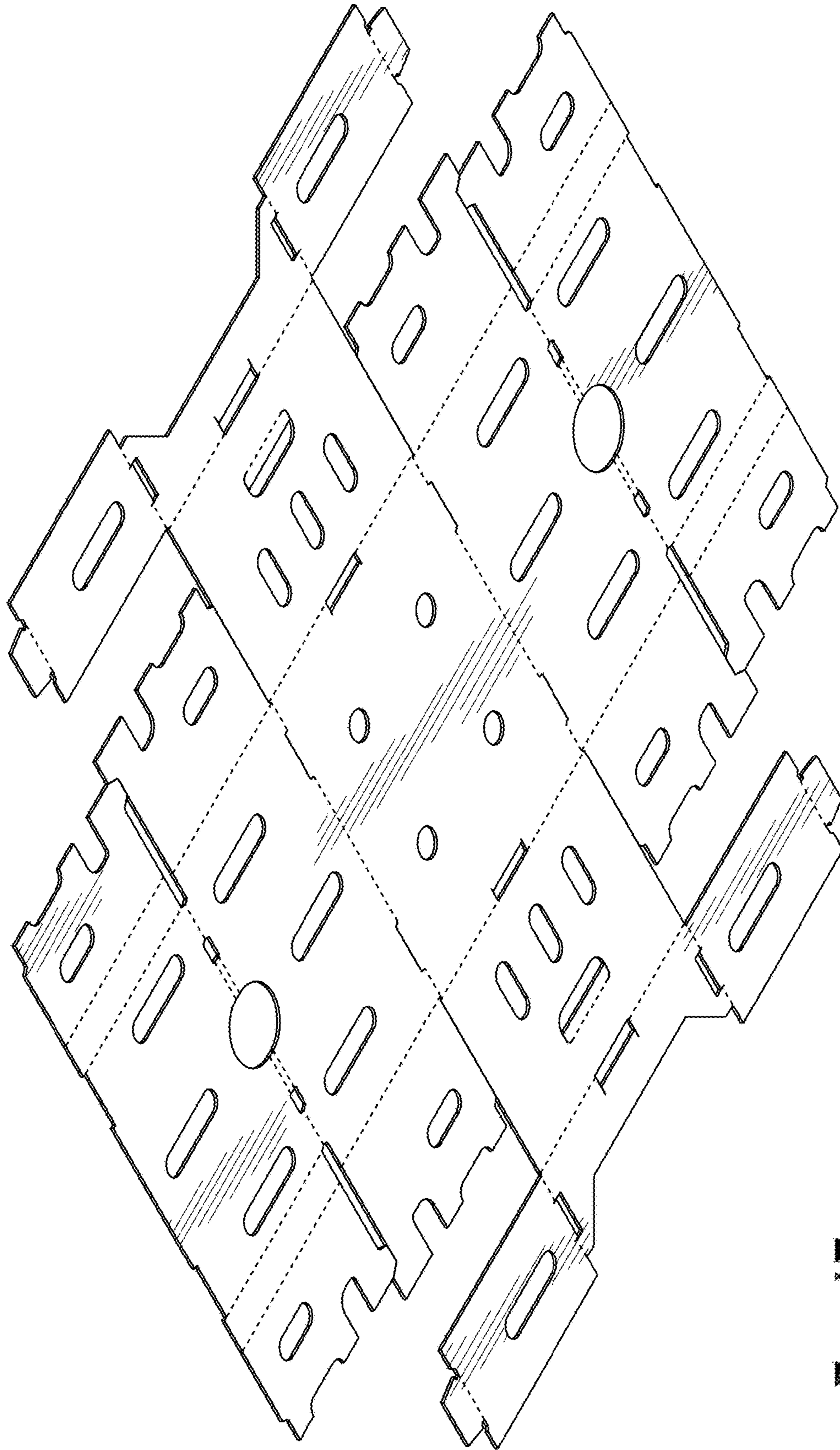


FIG. 17