



US00D833861S

(12) **United States Design Patent** (10) **Patent No.:** **US D833,861 S**
Stadelmaier et al. (45) **Date of Patent:** **** Nov. 20, 2018**

(54) **BLISTER PACKAGE**

Primary Examiner — Wan Laymon
Assistant Examiner — Clint A Samuel

(71) Applicant: **Johnson & Johnson Consumer Inc.**,
Skillman, NJ (US)

(57) **CLAIM**

The ornamental design for a blister package, as shown and described.

(72) Inventors: **Cindy Stadelmaier**, Furlong, PA (US);
Michael G. Cannamela, Atlantic
Highland, NJ (US); **Max Hunter
Knecht**, Brooklyn, NY (US)

DESCRIPTION

(73) Assignee: **Johnson & Johnson Consumer Inc.**,
Skillman, NJ (US)

FIG. 1 is a top back perspective view of a first embodiment of a blister package of the present invention.

FIG. 2 is a top front perspective view of the blister package depicted in FIG. 1.

(**) Term: **15 Years**

FIG. 3 is a back view of the blister package depicted in FIG. 1.

(21) Appl. No.: **29/621,723**

FIG. 4 is a left side view of the blister package depicted in FIG. 1.

(22) Filed: **Oct. 11, 2017**

FIG. 5 is a front view of the blister package depicted in FIG. 1.

(51) **LOC (11) Cl.** **09-03**

FIG. 6 is a right side view of the blister package depicted in FIG. 1.

(52) **U.S. Cl.**
USPC **D9/415**

FIG. 7 is a top view of the blister package depicted in FIG. 1.

(58) **Field of Classification Search**
USPC D9/414, 415, 416, 418, 424, 432, 438,
D9/702, 705, 707, 709, 730, 732, 744,
(Continued)

FIG. 8 is a bottom view of the blister package depicted in FIG. 1.

FIG. 9 is a top back perspective view of the back of a second embodiment of a blister package of the present invention.

(56) **References Cited**

U.S. PATENT DOCUMENTS

D364,343 S * 11/1995 Mello D9/415
D451,382 S * 12/2001 Adkins D9/415
(Continued)

FIG. 10 is a top front perspective view of the blister package depicted in FIG. 9.

FIG. 11 is a back view of the blister package depicted in FIG. 9.

FIG. 12 is a left side view of the blister package depicted in FIG. 9.

FOREIGN PATENT DOCUMENTS

WO WO 2009/009680 1/2009
WO WO 2015/056140 4/2015

FIG. 13 is a front view of the blister package depicted in FIG. 9.

FIG. 14 is a right side view of the blister package depicted in FIG. 9.

FIG. 15 is a top view of the blister package depicted in FIG. 9; and,

OTHER PUBLICATIONS

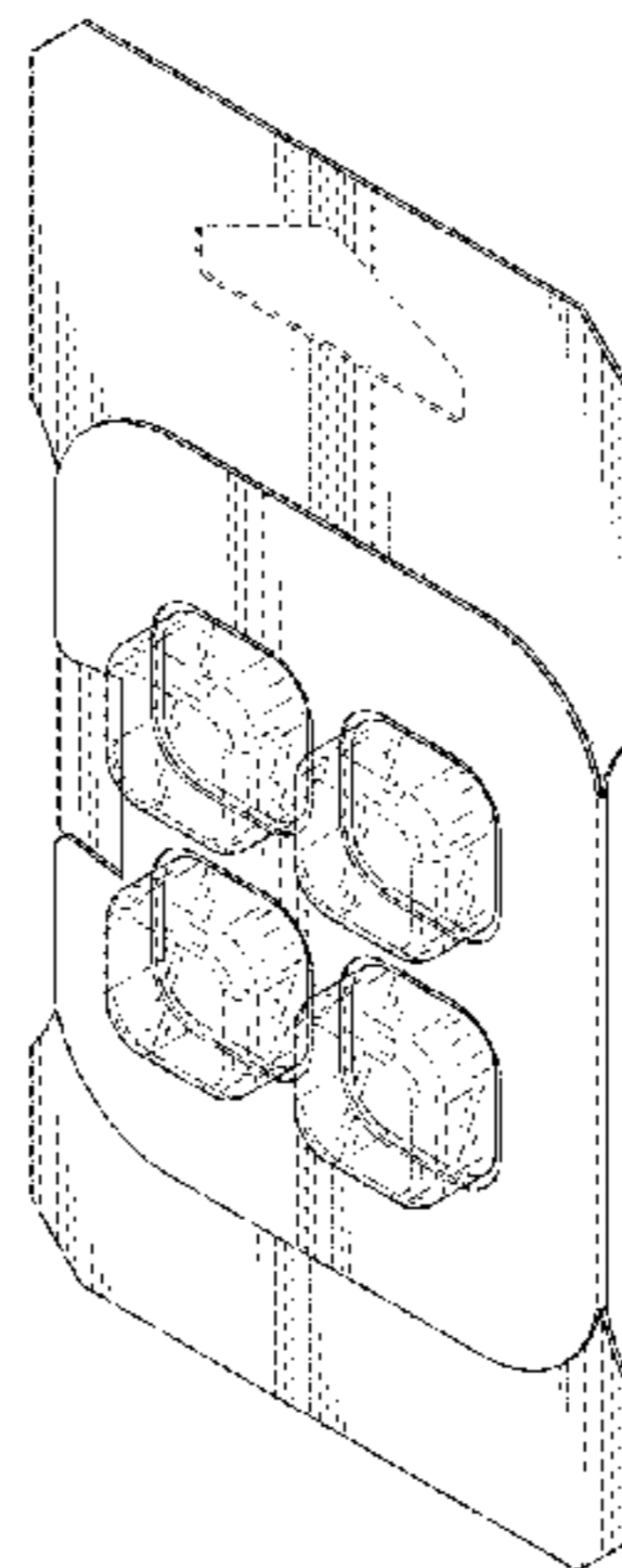
U.S. Appl. No. 29/621,722, filed Oct. 11, 2017, Johnson & Johnson Consumer Inc.

FIG. 16 is a bottom view of the blister package depicted in FIG. 9.

The ornamental design which is claimed is shown in solid lines in the drawings.

(Continued)

(Continued)



The dashed broken lines are shown for the purpose of depicting unclaimed subject matter.

1 Claim, 8 Drawing Sheets

(58) Field of Classification Search

USPC D9/749, 759; 206/514, 775, 779;
 D7/500, 543, 549, 554.1, 553.1, 550.1
 CPC . B65D 1/00; B65D 5/00; B65D 11/00; B65D
 17/00; B65D 85/00; B65D 85/62; B65D
 2571/00; B65D 2221/00

See application file for complete search history.

(56) References Cited

U.S. PATENT DOCUMENTS

D503,883	S	*	4/2005	Cox	D9/415
D537,735	S	*	3/2007	Fountoulakis	D9/415
D548,619	S	*	8/2007	Ferguson	D9/715
D548,620	S	*	8/2007	Ferguson	D9/715
D549,111	S	*	8/2007	Ferguson	D9/715
7,481,331	B2		1/2009	Webster et al.		
D588,471	S	*	3/2009	Fluegel	D9/732
7,726,486	B2		6/2010	Jones		
7,866,476	B2		1/2011	McGonagle et al.		
7,896,161	B2		3/2011	Reilley et al.		
D637,090	S	*	5/2011	Stuiber	D9/732
D641,233	S	*	7/2011	Pugh	D9/415
D642,482	S	*	8/2011	Stuiber	D9/732
D642,483	S	*	8/2011	Stuiber	D9/732
D646,561	S	*	10/2011	Pugh	D9/415
D649,885	S	*	12/2011	Stuiber	D9/732

D652,322	S	*	1/2012	Stuiber	D9/732
D655,622	S	*	3/2012	Sadler	D9/732
D655,623	S	*	3/2012	Mehren	D9/732
D655,624	S	*	3/2012	Mehren	D9/732
D655,625	S	*	3/2012	Mehren	D9/732
D655,626	S	*	3/2012	Mehren	D9/732
D655,627	S	*	3/2012	Mehren	D9/732
D655,628	S	*	3/2012	Mehren	D9/732
D665,250	S	*	8/2012	Kirk	D9/416
D670,178	S	*	11/2012	Carson	D9/416
D680,882	S	*	4/2013	Logue	D9/732
D681,479	S	*	5/2013	Logue	D9/732
D688,570	S	*	8/2013	Logue	D9/732
D689,374	S	*	9/2013	Logue	D9/732
D693,695	S	*	11/2013	Limback	D9/652
D695,103	S	*	12/2013	Kirk	D9/416
D760,599	S	*	7/2016	Jayakaran	D9/732
D761,124	S	*	7/2016	Taylor	D9/732
D761,125	S	*	7/2016	Taylor	D9/732
D761,126	S	*	7/2016	Taylor	D9/732
D767,985	S	*	10/2016	Schouten	D9/414
D781,695	S	*	3/2017	Schouten	D9/415
D797,552	S	*	9/2017	Thurin	D7/602
D820,690	S	*	6/2018	Canuto	D9/757
D821,865	S	*	7/2018	Shaffer	D9/418
2013/0256183	A1	*	10/2013	Ingraham	A61J 1/035 206/531

OTHER PUBLICATIONS

U.S. Appl. No. 29/621,724, filed Oct. 11, 2017, Johnson & Johnson Consumer Inc.
 U.S. Appl. No. 15/729,803, filed Oct. 11, 2017, Johnson & Johnson Consumer Inc.

* cited by examiner

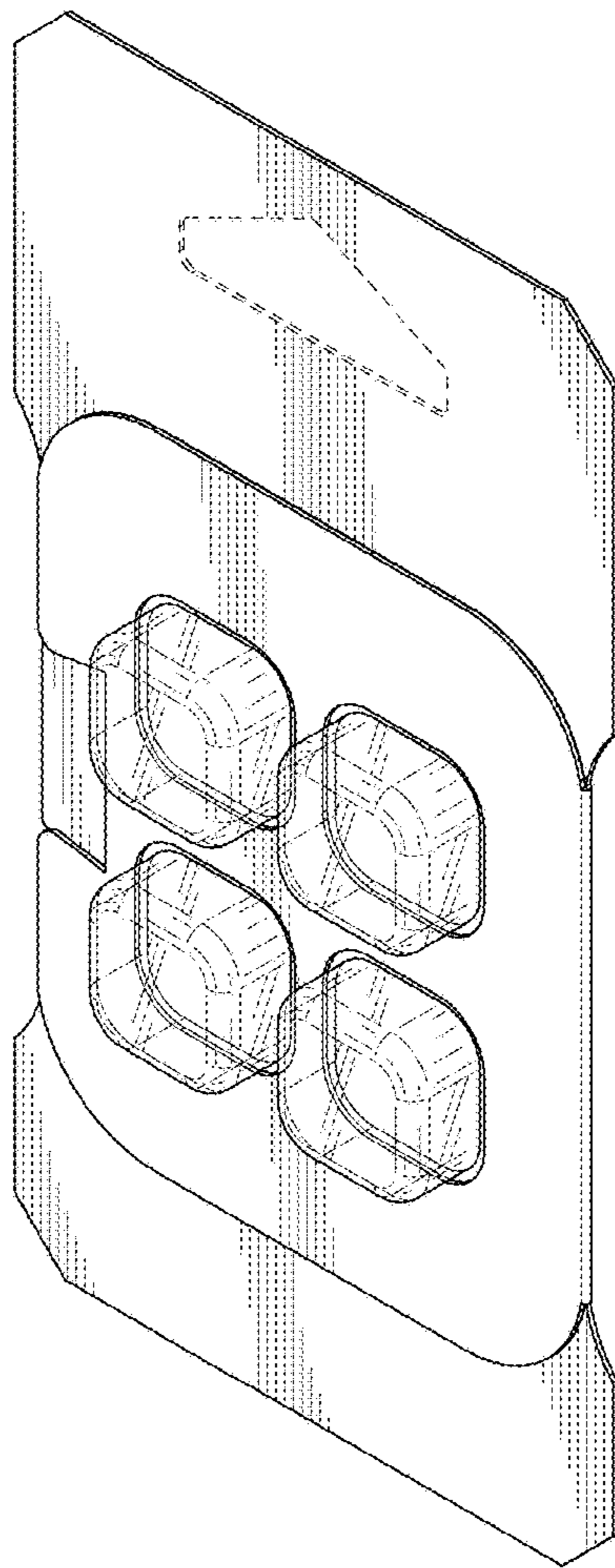


FIG. 1

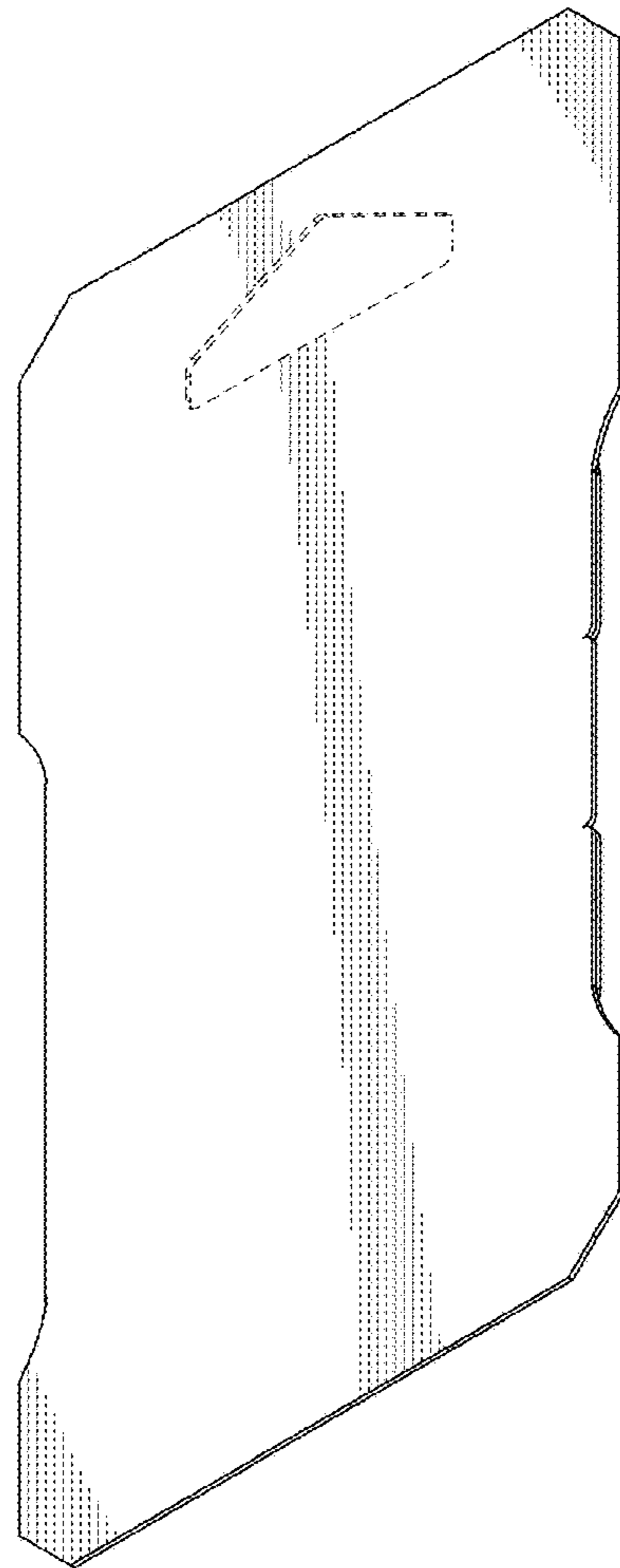


FIG. 2

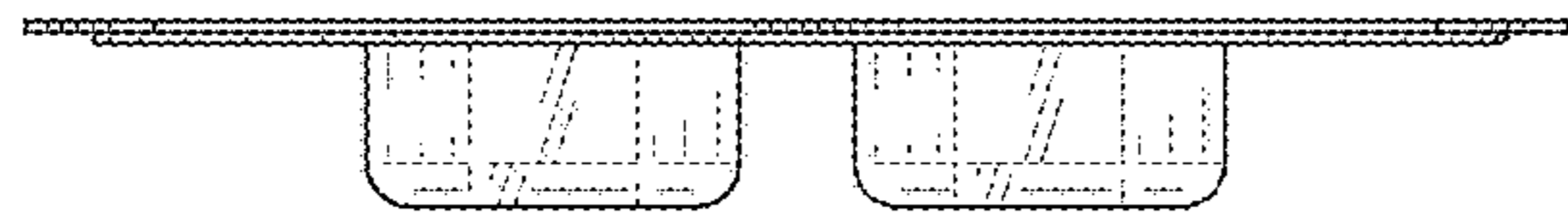


FIG. 7

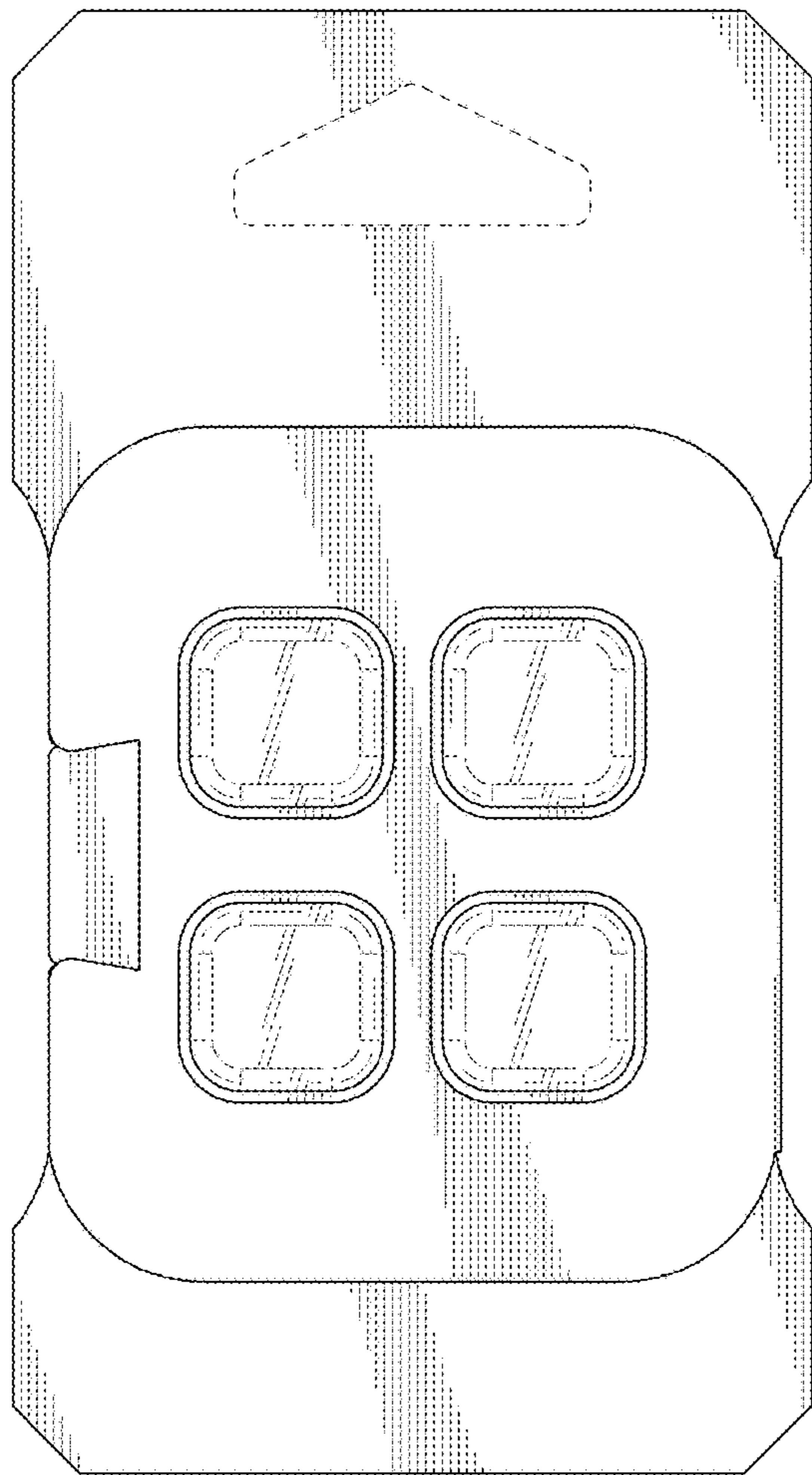


FIG. 3

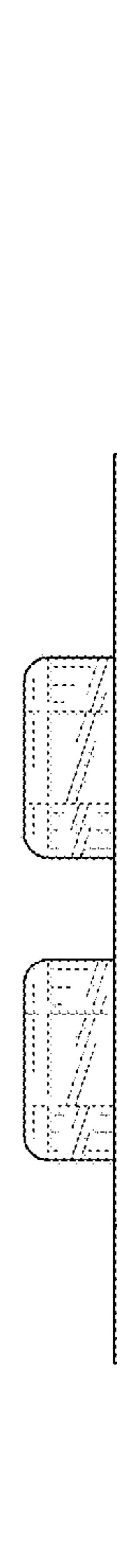


FIG. 4

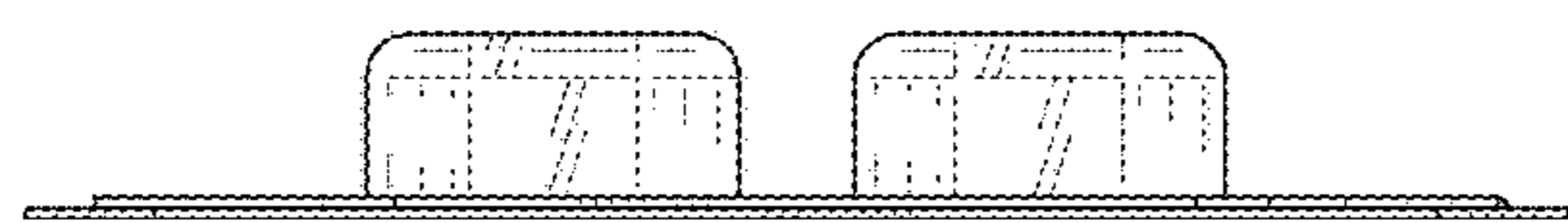


FIG. 8

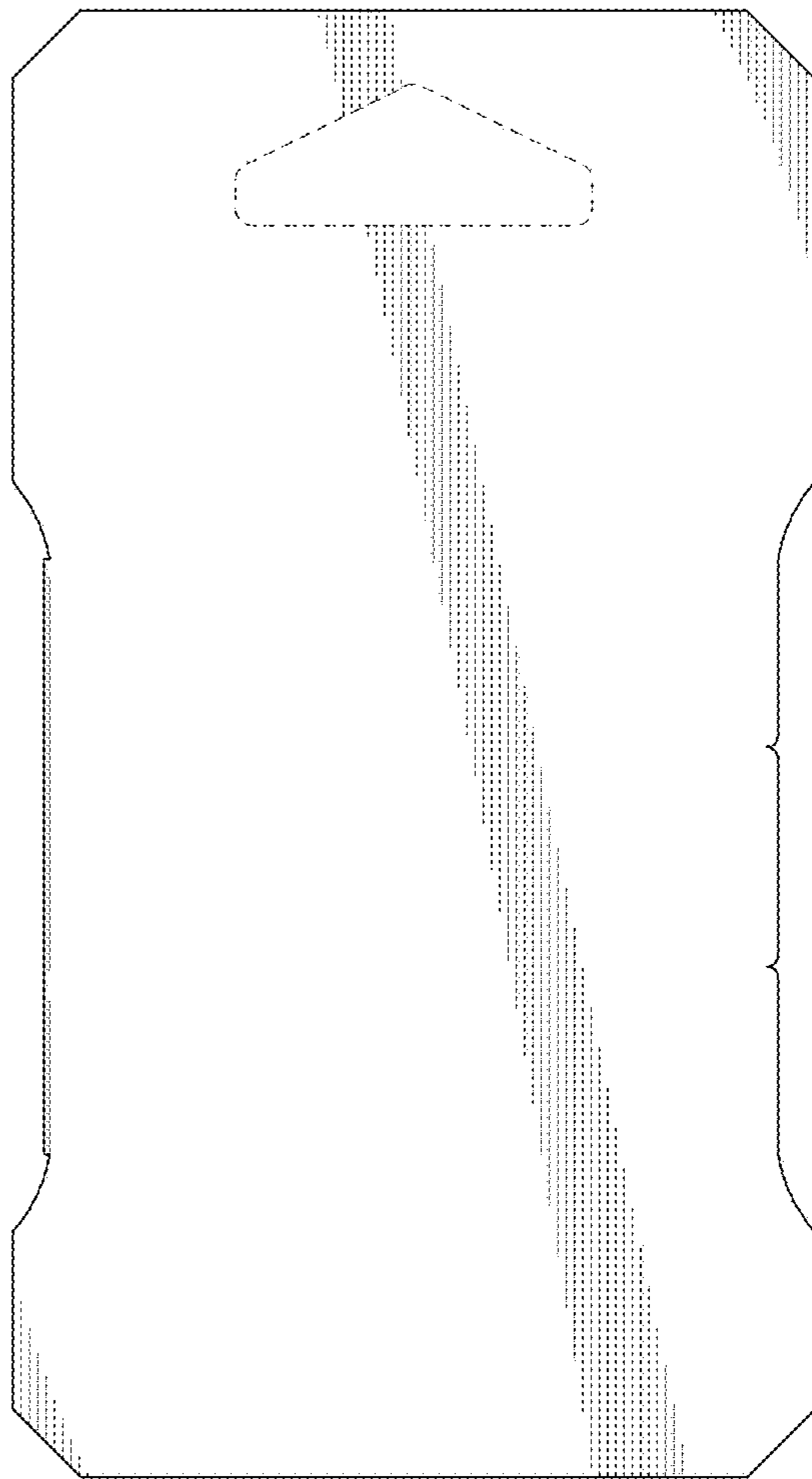


FIG. 5



FIG. 6

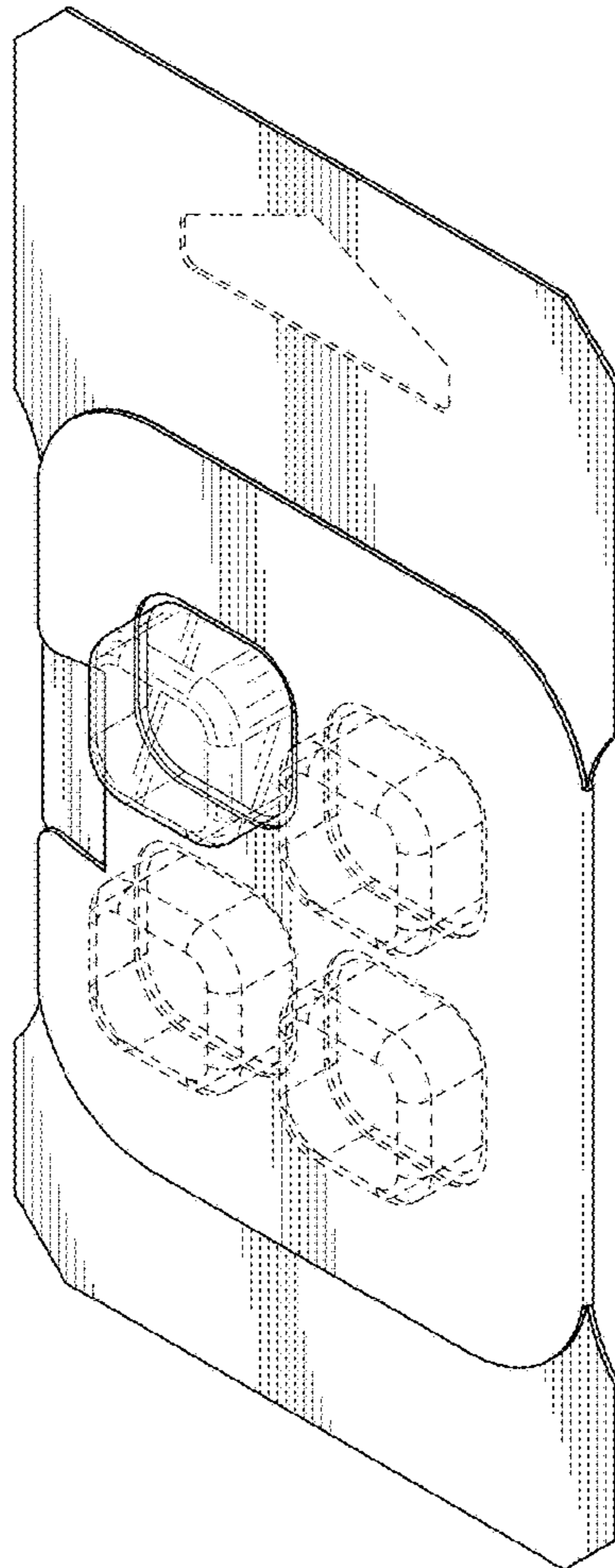


FIG. 9

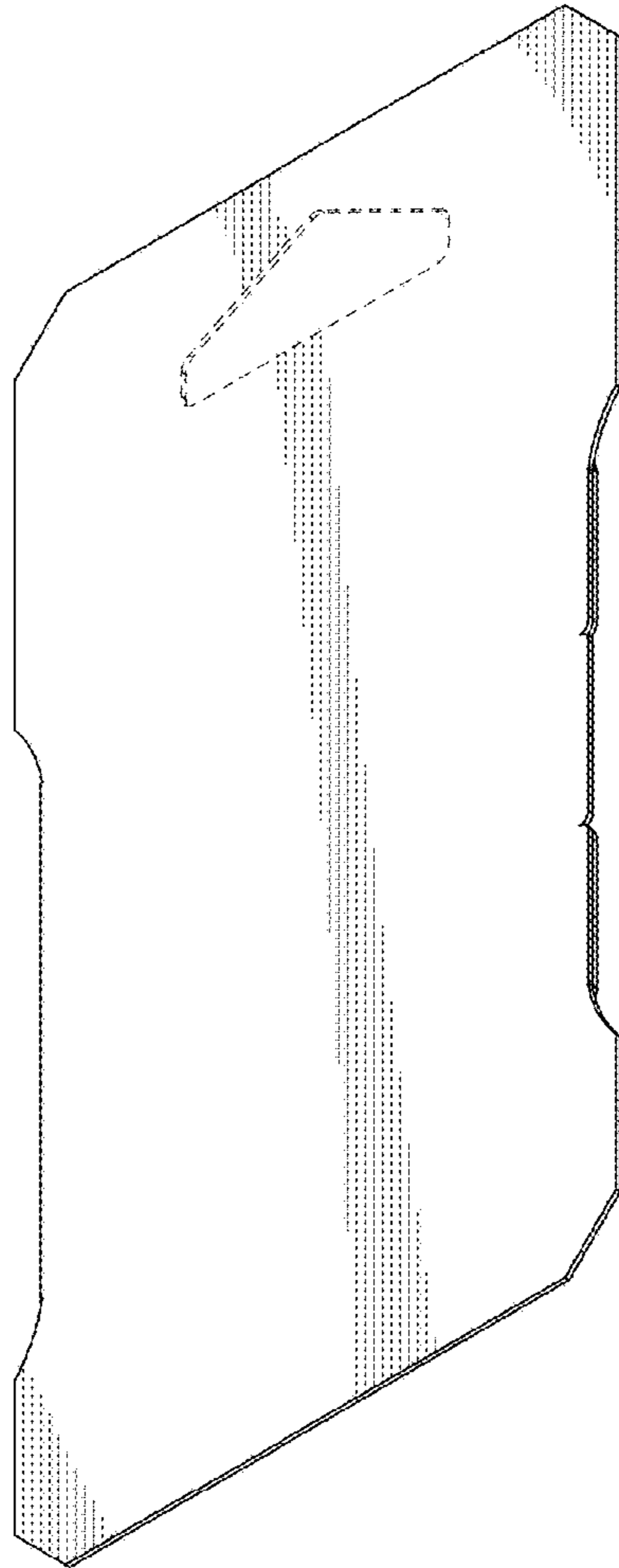


FIG. 10

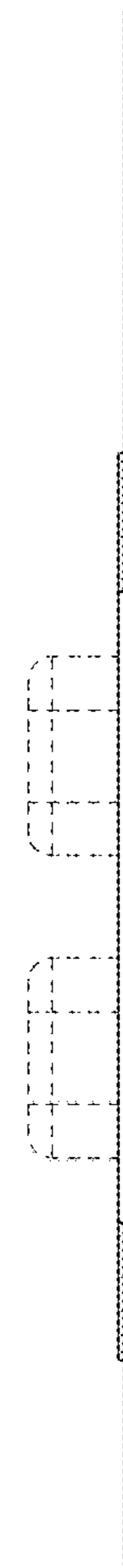
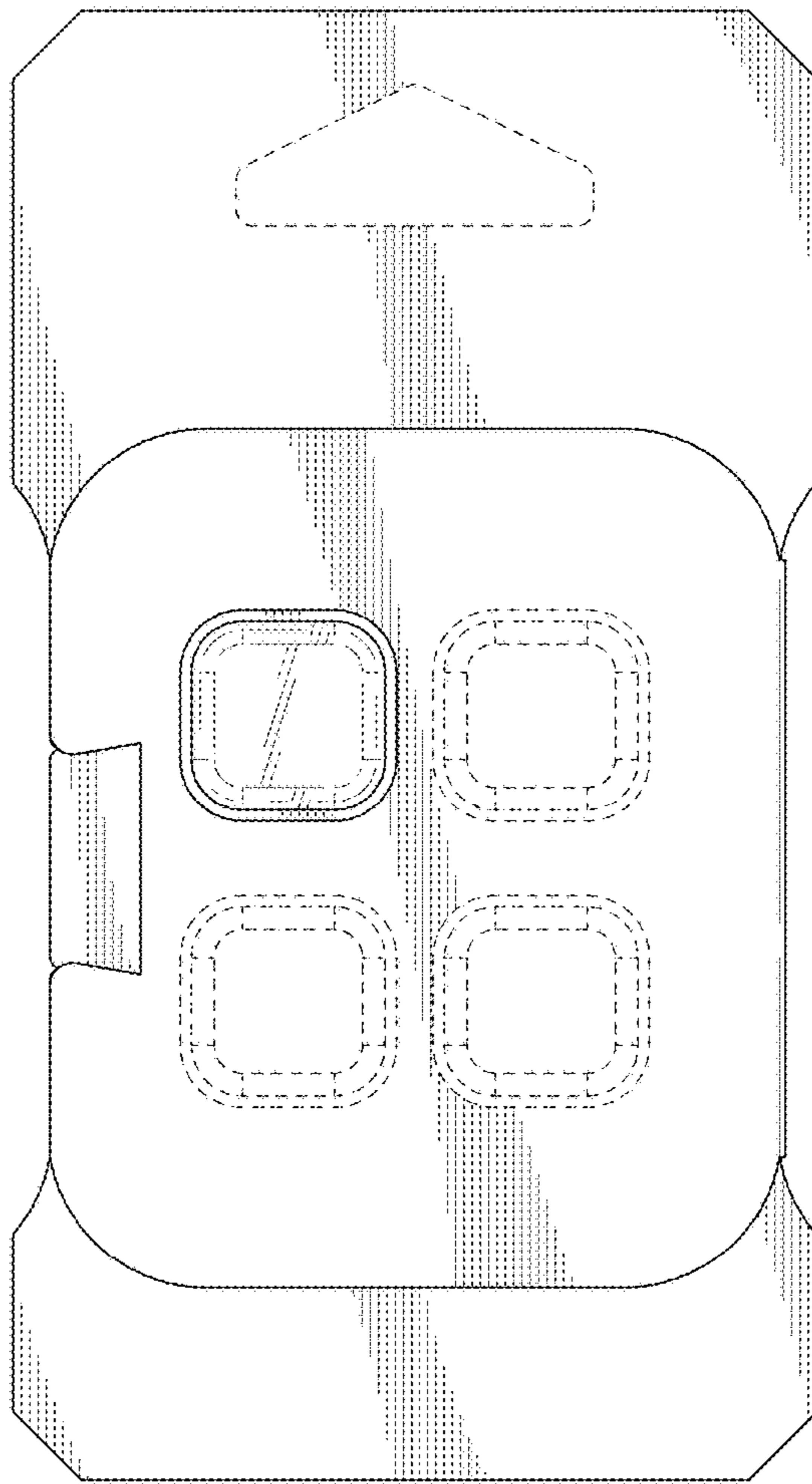
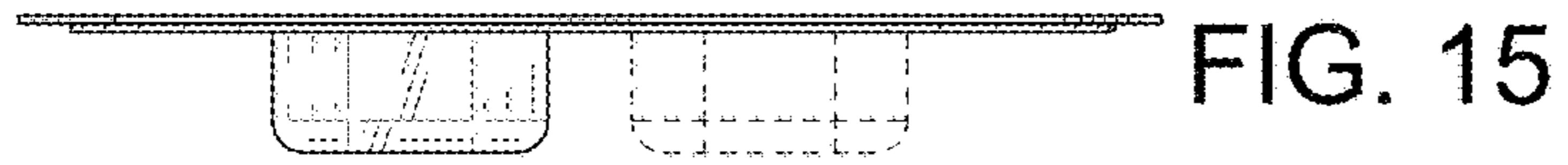
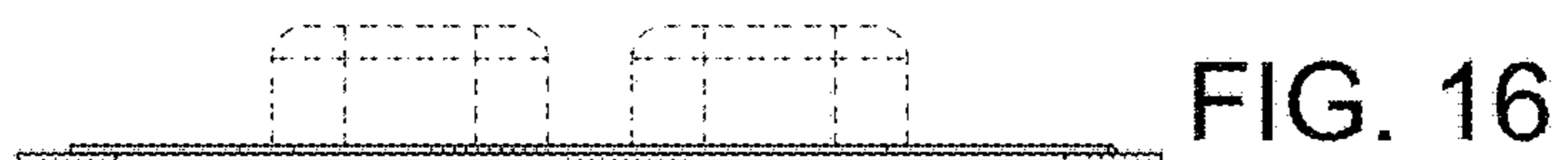


FIG. 12



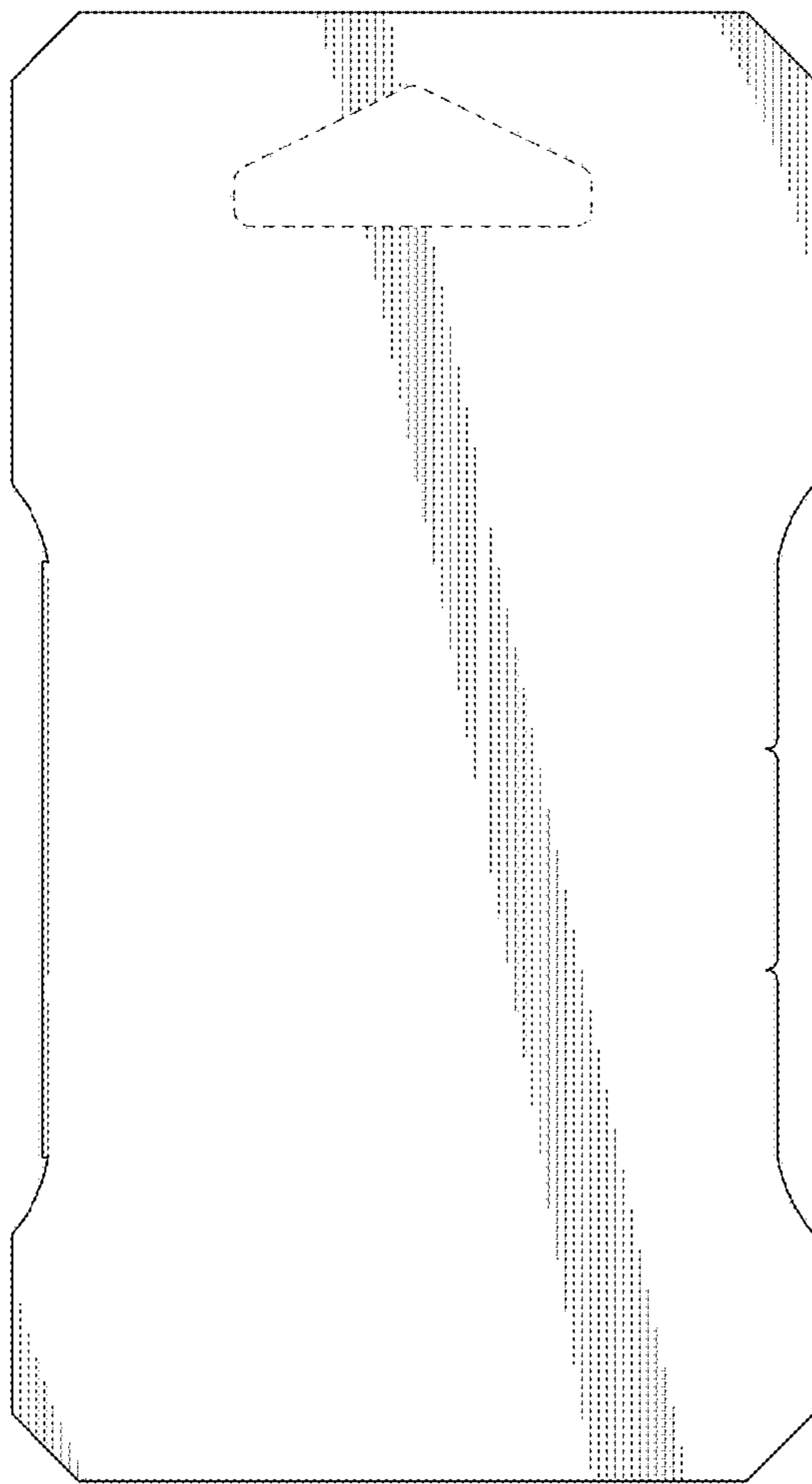


FIG. 13

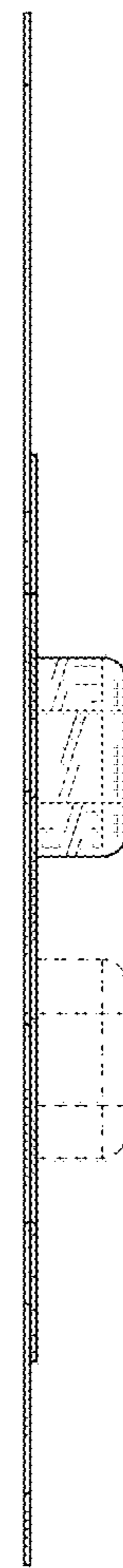


FIG. 14