



US00D833857S

(12) **United States Design Patent** (10) **Patent No.:** **US D833,857 S**
Giemza et al. (45) **Date of Patent:** **** Nov. 20, 2018**

(54) **FASTENER**

(71) Applicant: **GRIPPLE LIMITED**, Sheffield (GB)

(72) Inventors: **Lee Giemza**, Wakefield (GB); **Robert Hepworth**, Sheffield (GB)

(73) Assignee: **GRIPPLE LIMITED**, Sheffield (GB)

(**) Term: **15 Years**

(21) Appl. No.: **29/595,812**

(22) Filed: **Mar. 2, 2017**

(30) **Foreign Application Priority Data**

Sep. 7, 2016 (EM) 003368711-0005

(51) **LOC (11) Cl.** **08-08**

(52) **U.S. Cl.**
USPC **D8/382**

(58) **Field of Classification Search**
USPC D8/60, 61, 77, 82, 342, 349, 354, 355,
D8/356, 367, 382, 396, 499; D23/213,
D23/219, 223-227
CPC B25B 1/205; B25B 1/103; F16G 11/04;
F16B 13/08
See application file for complete search history.

(56) **References Cited**

U.S. PATENT DOCUMENTS

1,393,107 A * 10/1921 Fuller F16G 11/04
24/136 R

1,818,571 A * 8/1931 Myers F16G 11/04
24/136 L

3,374,511 A * 3/1968 Barker F16G 11/04
403/369

5,064,178 A * 11/1991 Nimtzt B25B 1/103
269/147

D355,104 S * 2/1995 Sorensen D8/72

D365,263 S * 12/1995 Sorensen D8/22

5,718,419 A * 2/1998 Hall B25B 5/12
269/228

D543,820 S * 6/2007 Brass D8/72

8,414,225 B2 * 4/2013 Tjader E21B 7/205
405/184.3

D745,822 S * 12/2015 Somerfield D8/394

9,624,639 B2 * 4/2017 Somerfield E02D 5/803

D805,378 S * 12/2017 Somerfield D8/383

D815,516 S * 4/2018 Karmarkar D8/382

2004/0041061 A1 * 3/2004 Krohmer B25B 1/103
248/74.1

2004/0183294 A1 * 9/2004 Elliott B25B 1/205
285/15

2017/0227036 A1 * 8/2017 Chapman F16B 13/08

* cited by examiner

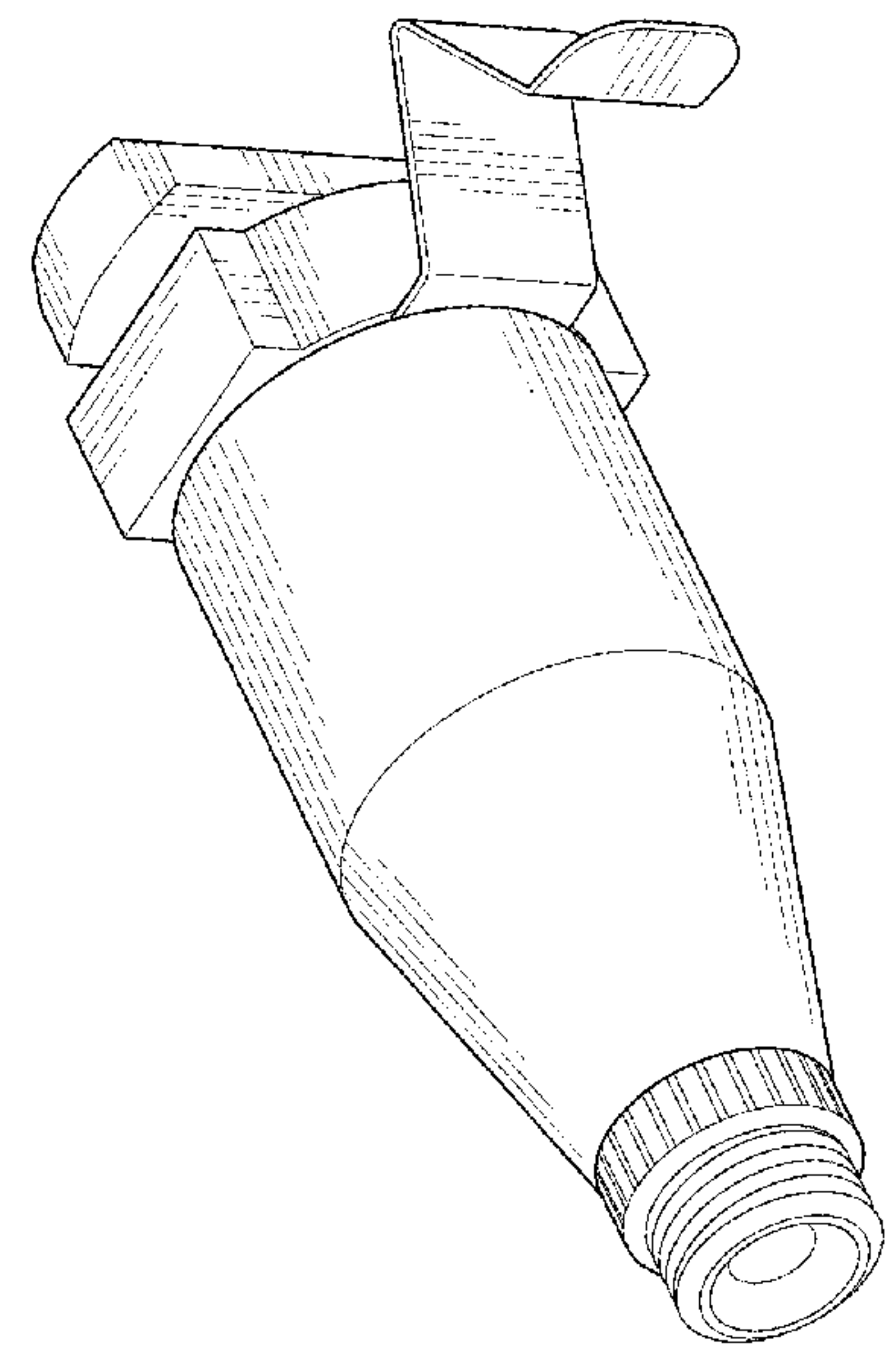
Primary Examiner — Jennifer Rivard
Assistant Examiner — Alison M Ofstun
 (74) *Attorney, Agent, or Firm* — patenttm.us

(57) **CLAIM**
 The ornamental design for a fastener, as shown and described.

DESCRIPTION

FIG. 1 is a perspective view of a fastener, showing our new design;
 FIG. 2 is a second perspective view thereof;
 FIG. 3 is a left side view thereof;
 FIG. 4 is a front view thereof;
 FIG. 5 is a bottom view thereof;
 FIG. 6 is a top view thereof,
 FIG. 7 is right side view thereof; and,
 FIG. 8 is a rear view thereof.

1 Claim, 3 Drawing Sheets



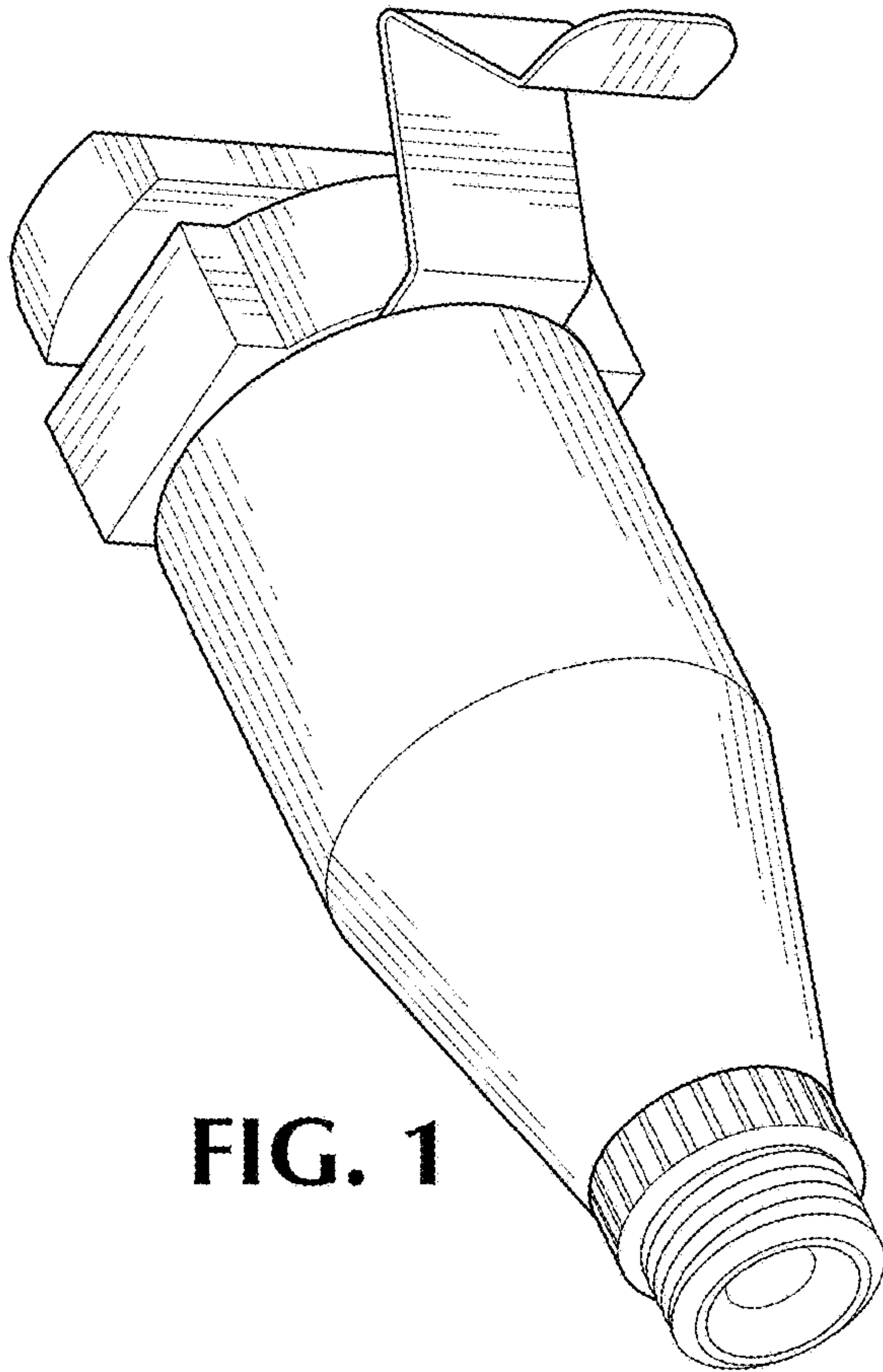


FIG. 1

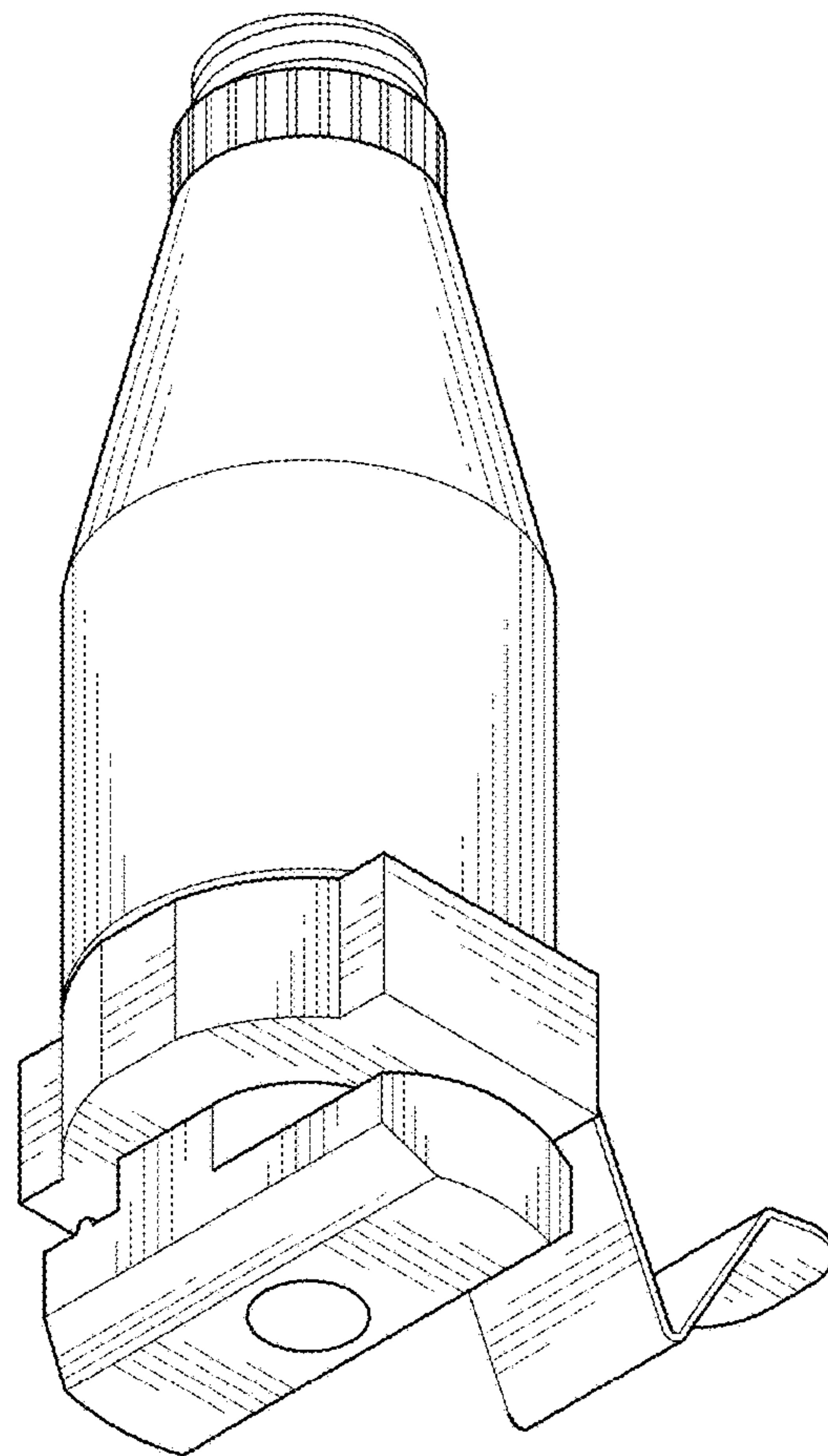


FIG. 2

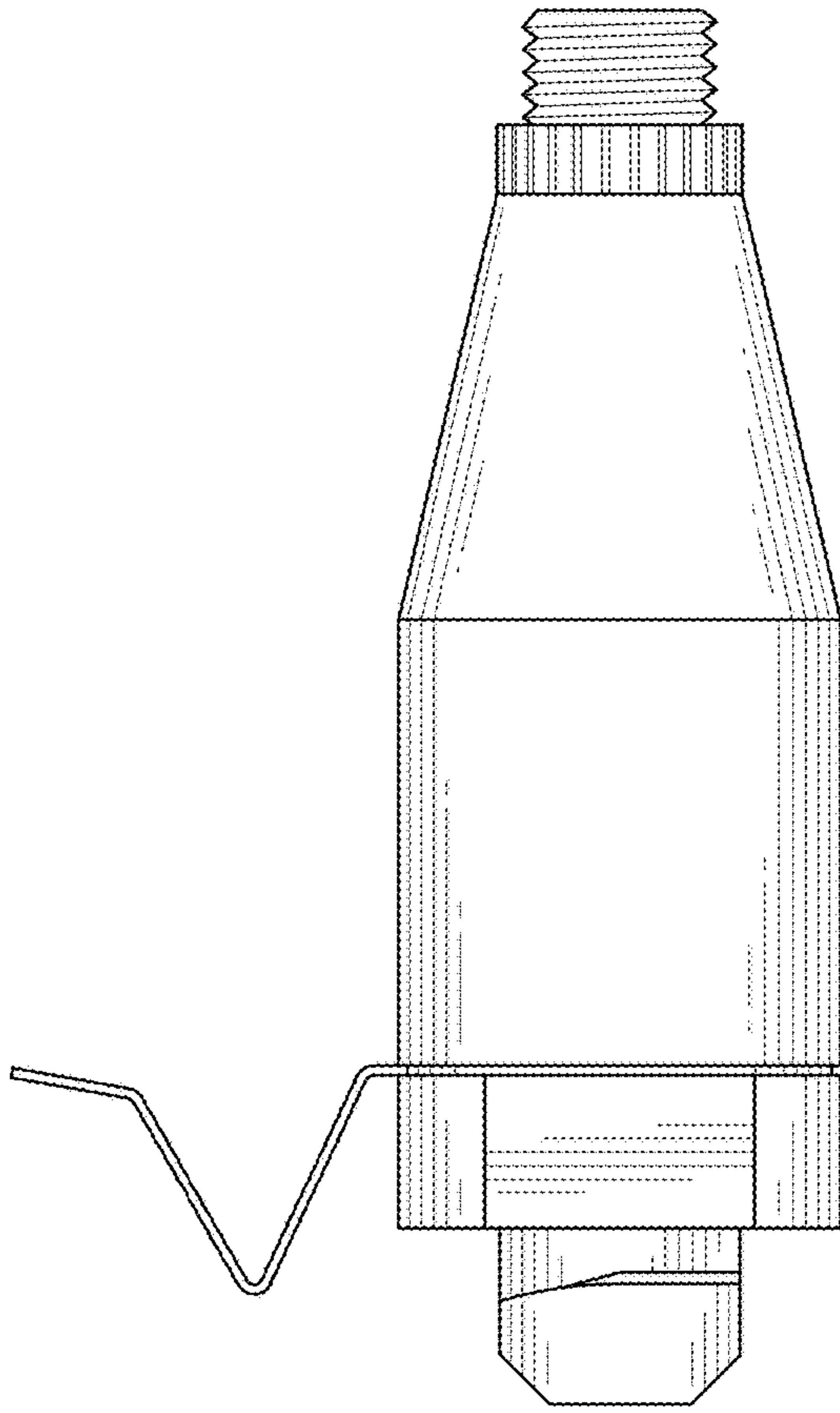


FIG. 3

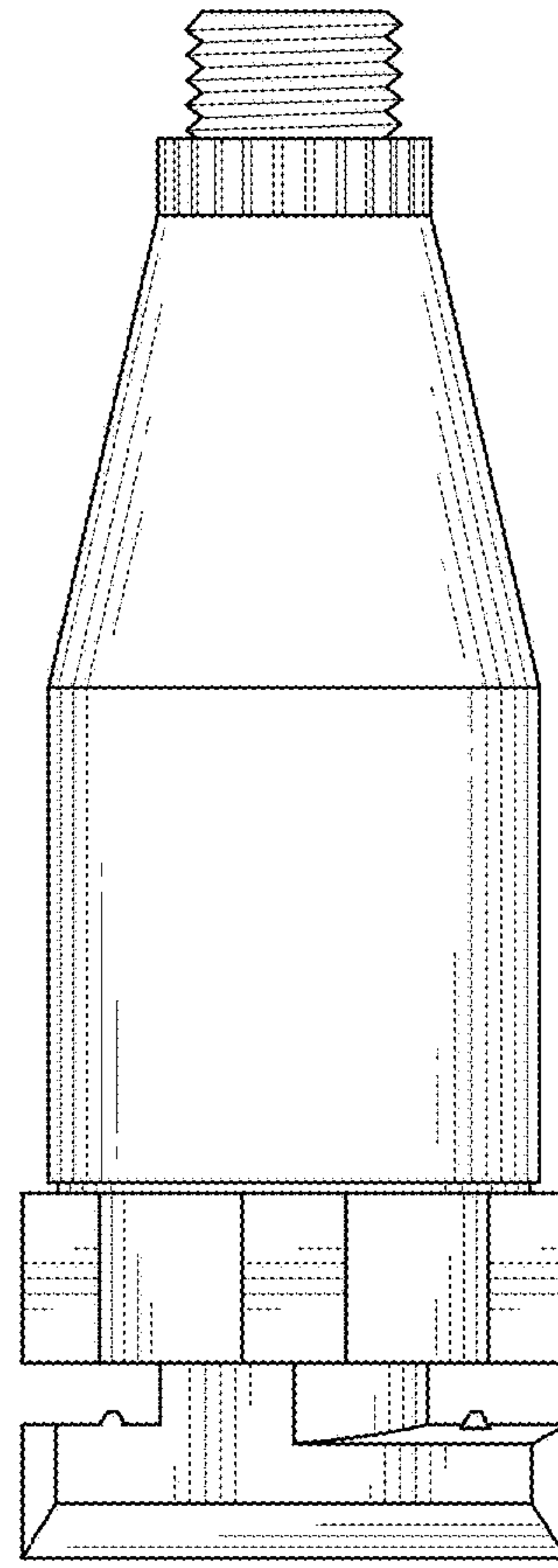


FIG. 4

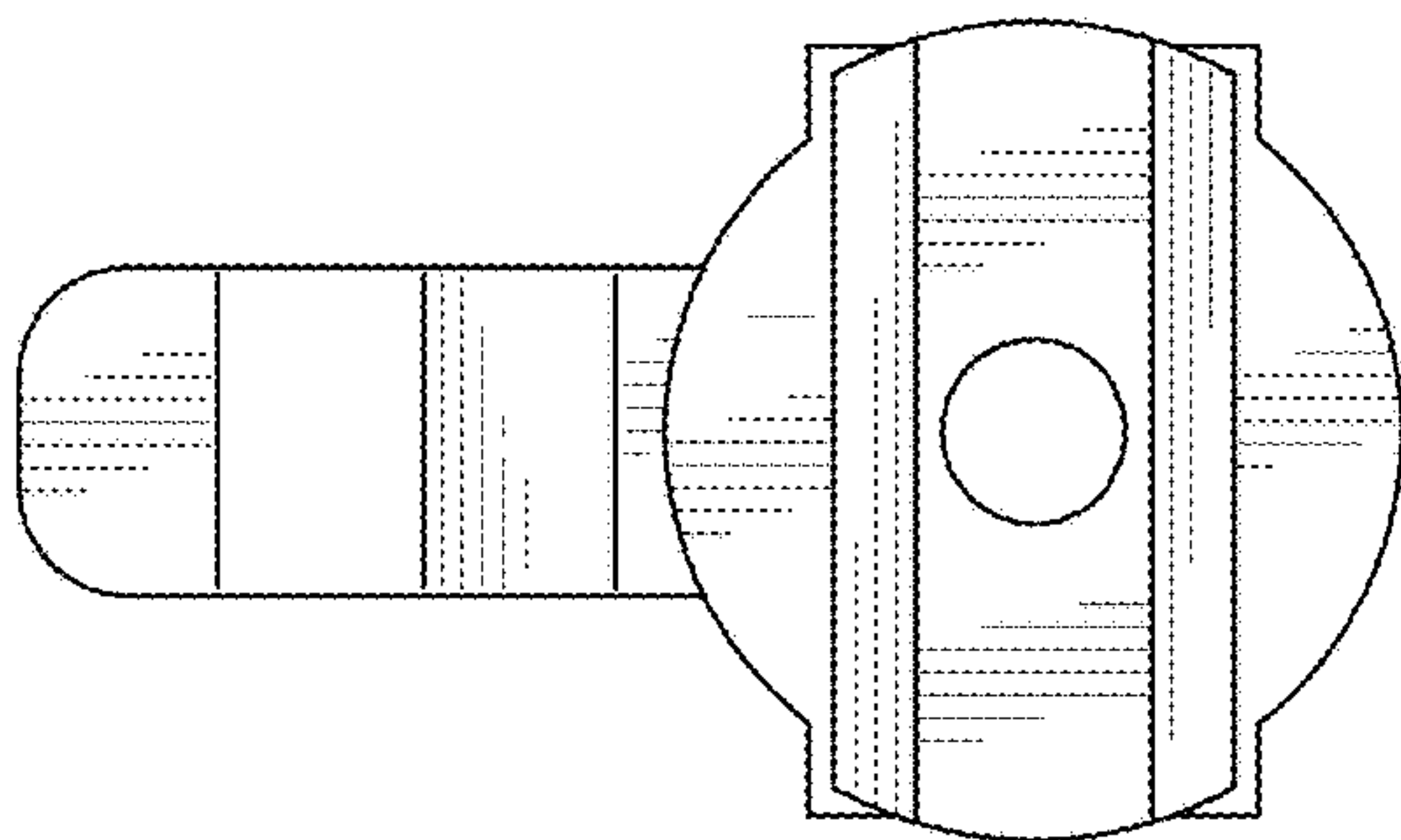


FIG. 5

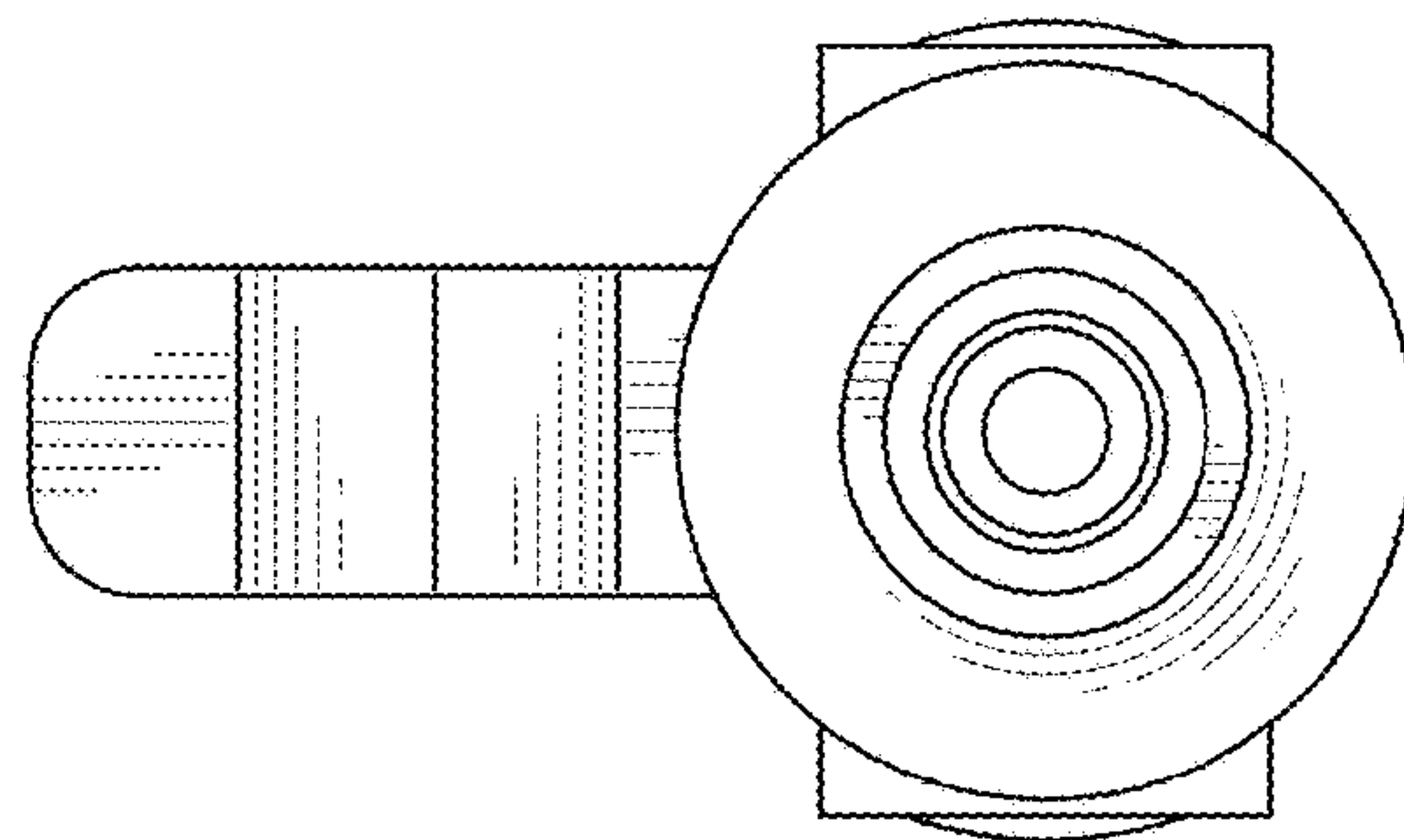


FIG. 6

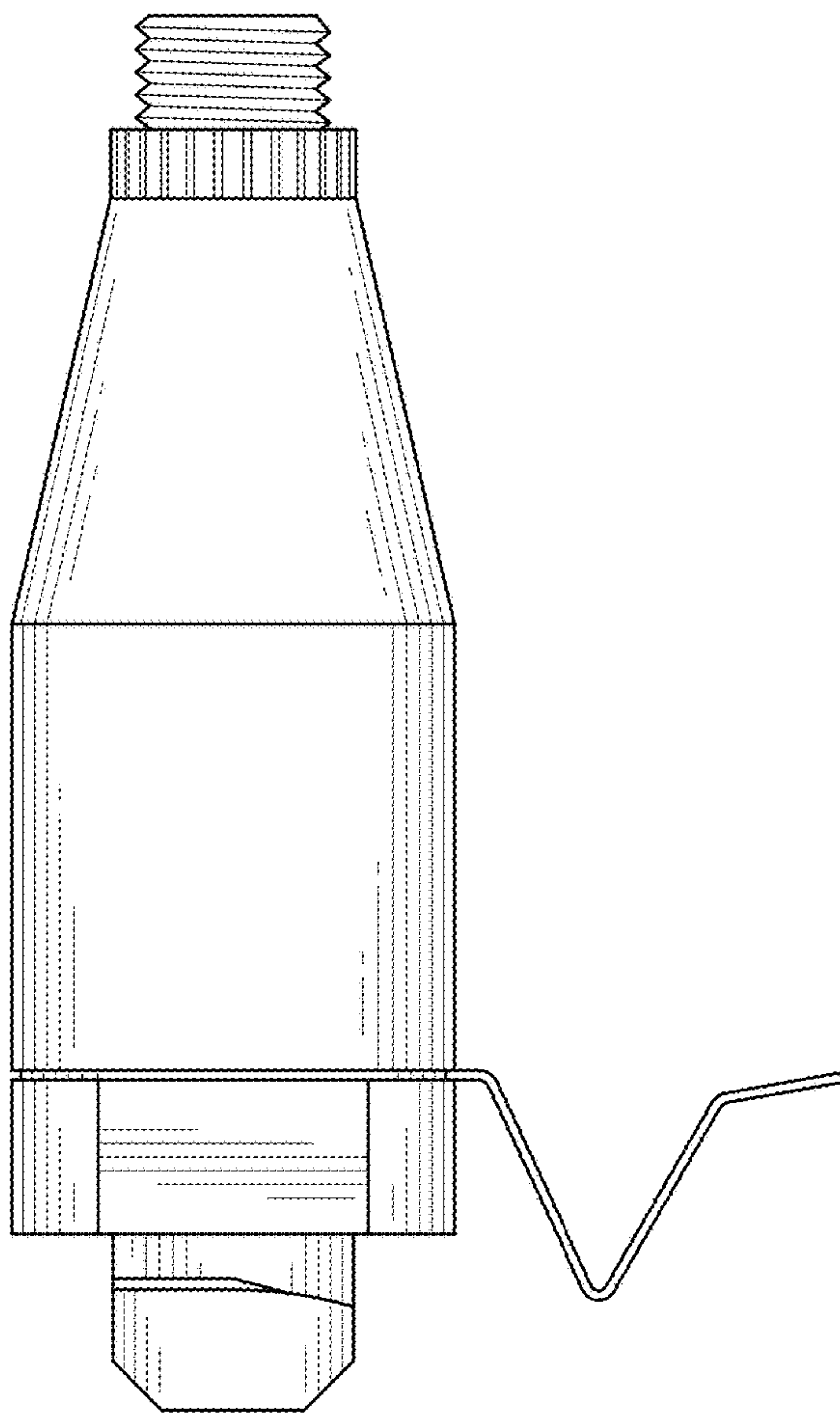


FIG. 7

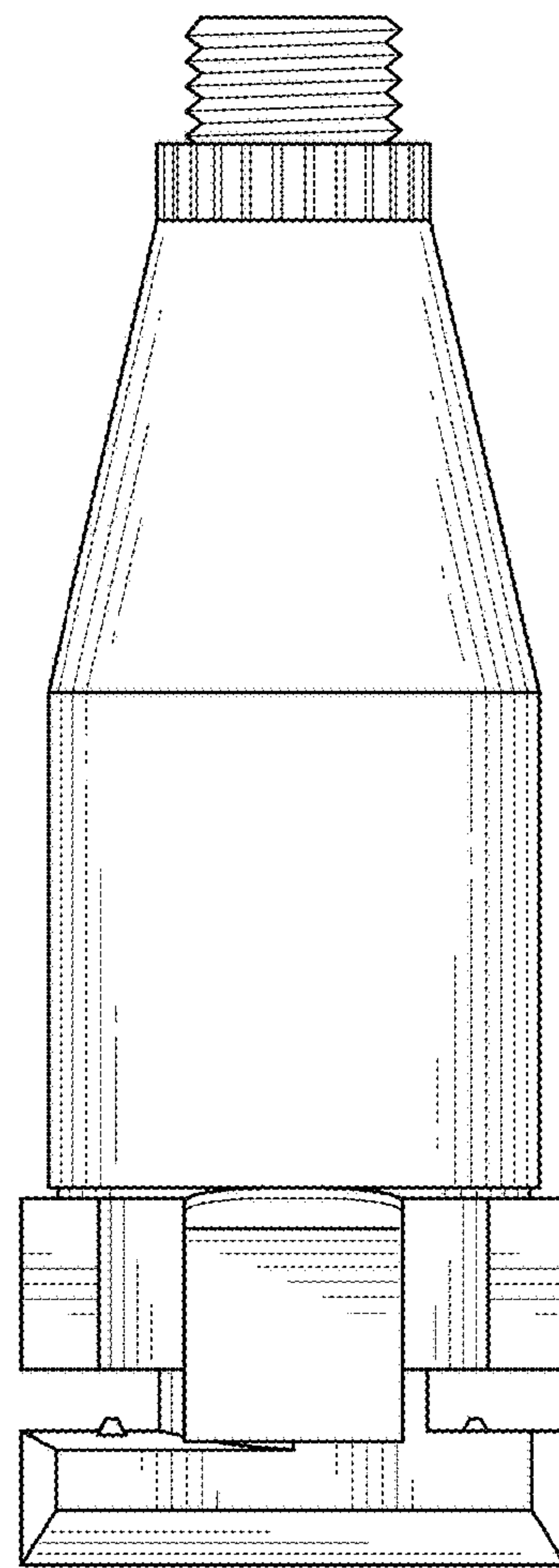


FIG. 8