



US00D833856S

(12) **United States Design Patent** (10) **Patent No.:** **US D833,856 S**  
**Simonds et al.** (45) **Date of Patent:** **\*\* Nov. 20, 2018**

(54) <b>PULLEY</b>	4,065,044 A * 12/1977 Painter ..... G11B 15/28 226/188
(71) Applicant: <b>Chiswick Innovations Limited,</b> London (GB)	D252,750 S * 8/1979 Painter ..... D14/260 D306,134 S * 2/1990 Harken ..... 254/412 D450,565 S * 11/2001 DiBianca ..... D8/360 D549,753 S * 8/2007 Kanemitsu ..... D15/148 D582,754 S * 12/2008 Stein ..... D8/358 D598,480 S * 8/2009 Kanemitsu ..... D15/148 8,517,845 B2 * 8/2013 Shin ..... F16F 15/126 403/12
(72) Inventors: <b>Colin Duncan Simonds,</b> London (GB); <b>James Campbell Duncan Simonds,</b> London (GB)	9,021,725 B2 * 5/2015 Stalker ..... E02F 9/2016 37/395
(73) Assignee: <b>CHISWICK INNOVATIONS LIMITED,</b> London (GB)	D740,107 S * 10/2015 Armani ..... D8/358 D747,165 S * 1/2016 VanderWoude ..... D8/70 D782,544 S * 3/2017 Seto ..... D15/28
(**) Term: <b>15 Years</b>	2011/0094116 A1 * 4/2011 Diefenderfer ..... F16H 57/022 33/286

(21) Appl. No.: **29/634,820**

(22) Filed: **Jan. 25, 2018**

(30) **Foreign Application Priority Data**

Aug. 8, 2017 (EM) ..... 004138634

(51) **LOC (11) Cl.** ..... **08-05**

(52) **U.S. Cl.**  
USPC ..... **D8/360**

(58) **Field of Classification Search**  
USPC ..... D8/360.1, 356, 354, 349, 367, 360;  
24/306; D14/490  
CPC ..... B65H 75/362; A47F 2005/0012  
See application file for complete search history.

(56) **References Cited**

**U.S. PATENT DOCUMENTS**

1,011,028 A \* 12/1911 Chambers ..... F16C 19/10  
384/609  
D241,001 S \* 8/1976 Wherry ..... D8/360

\* cited by examiner

*Primary Examiner* — Cynthia R Underwood

(74) *Attorney, Agent, or Firm* — Jacobson Holman, PLLC.

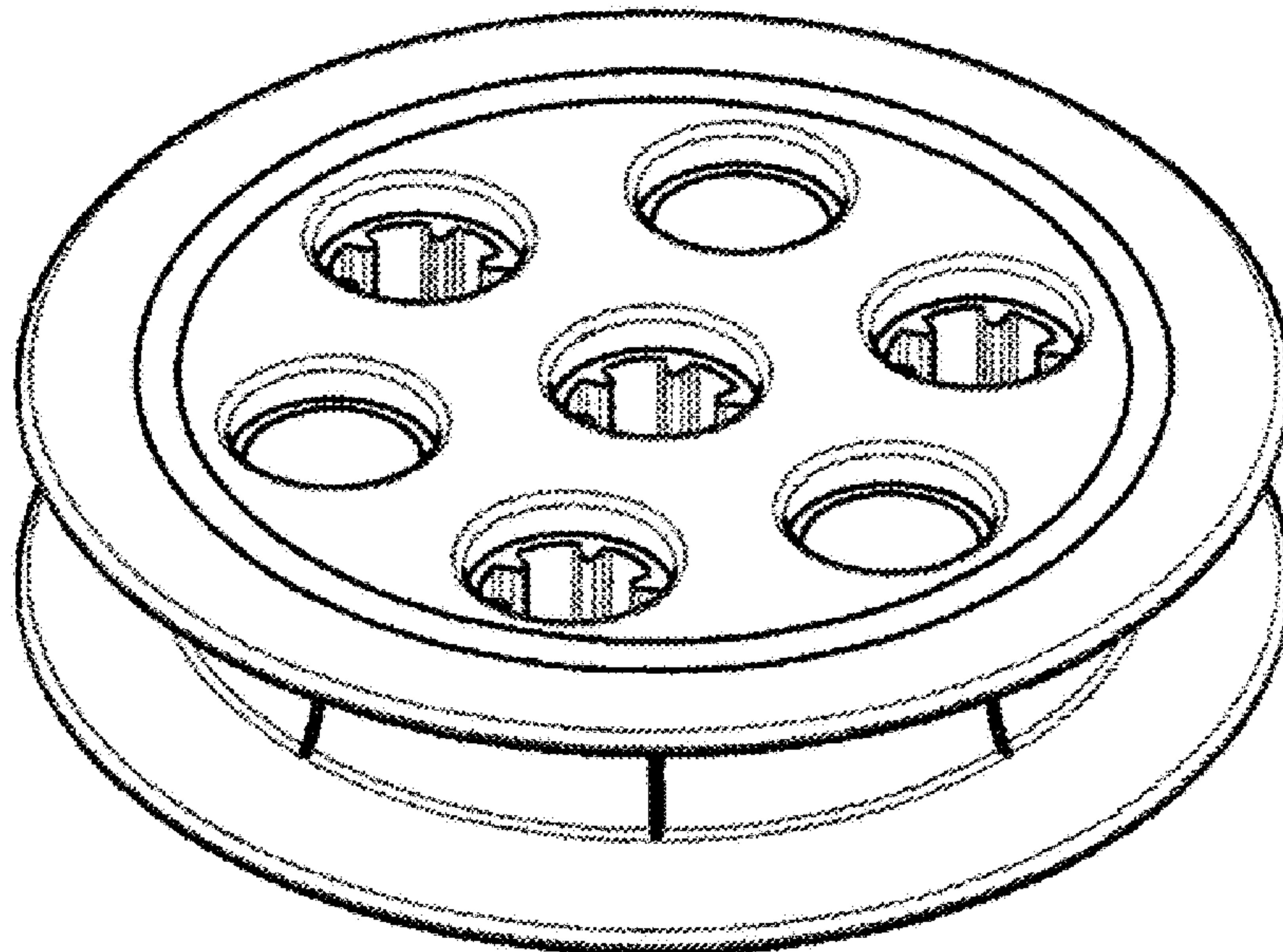
(57) **CLAIM**

We claim the ornamental design for a pulley, as shown and described.

**DESCRIPTION**

FIG. 1 is a top perspective view of a pulley embodying our design;  
FIG. 2 is a bottom perspective view of FIG. 1;  
FIG. 3 is a top plan view of FIG. 1;  
FIG. 4 is a bottom view of FIG. 1;  
FIG. 5 is a front view of FIG. 1;  
FIG. 6 is a view of FIG. 5 turned 90°; and,  
FIG. 7 is a view of FIG. 6 turned 180°.

**1 Claim, 3 Drawing Sheets**



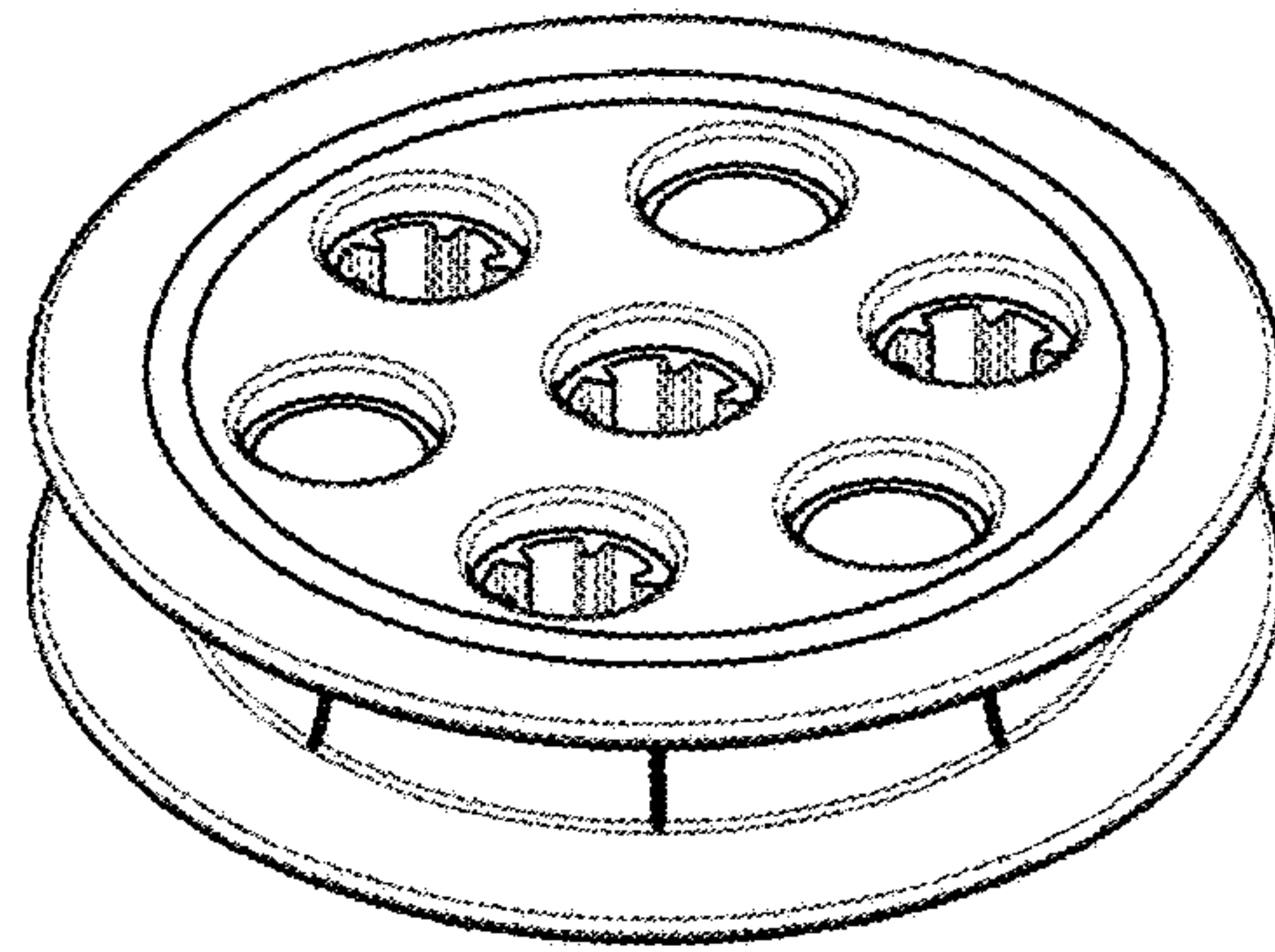


FIG. 1

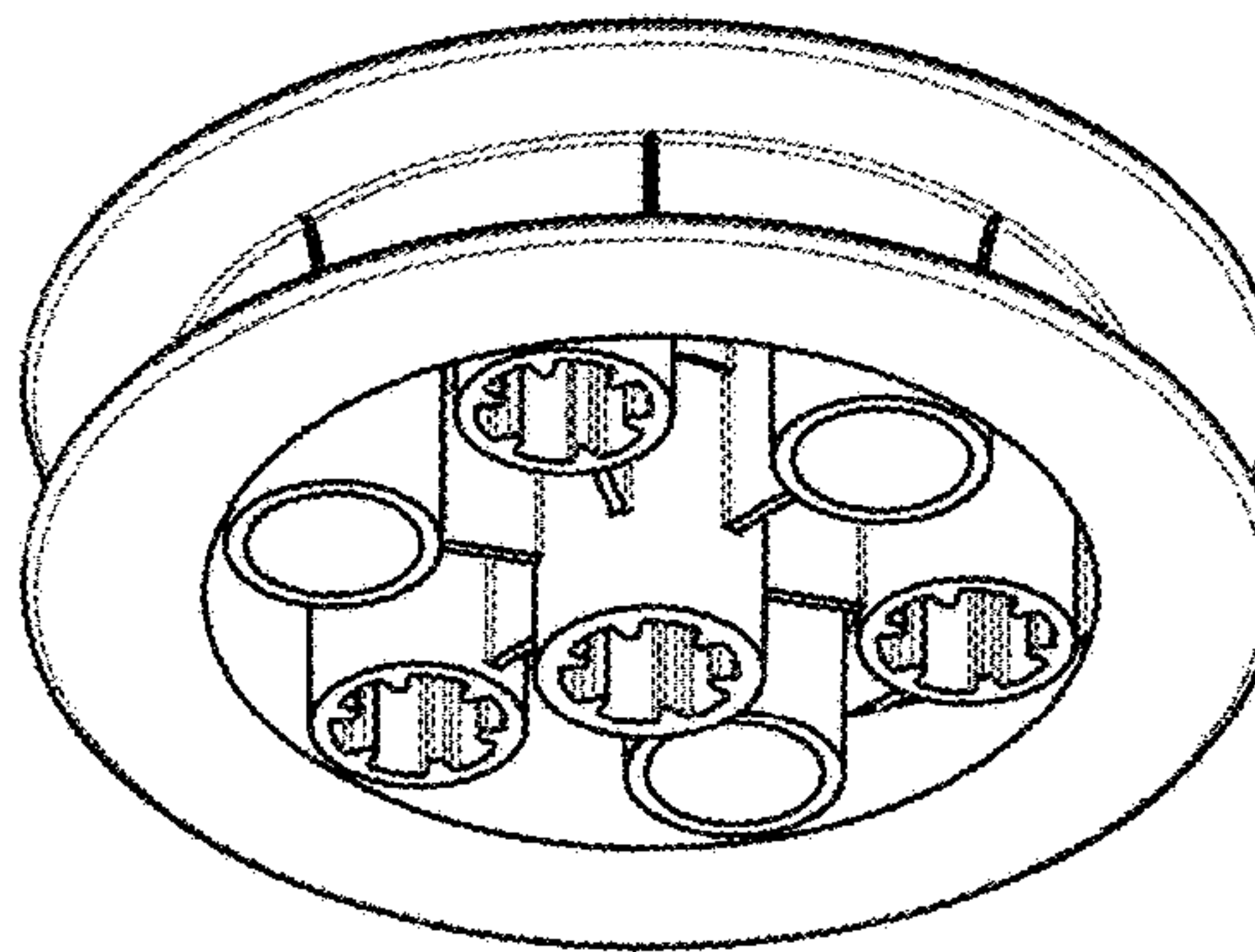


FIG. 2

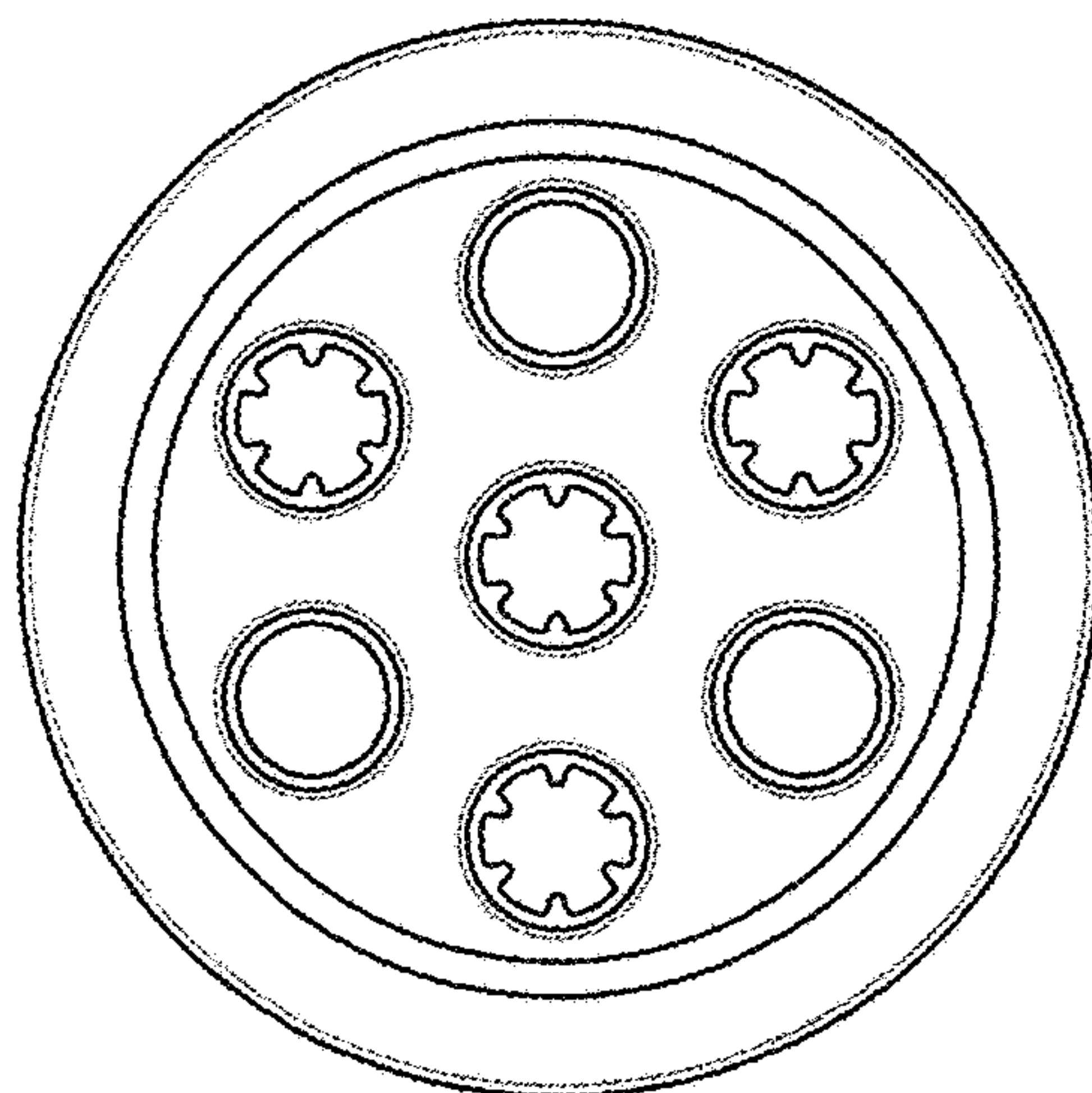


FIG. 3

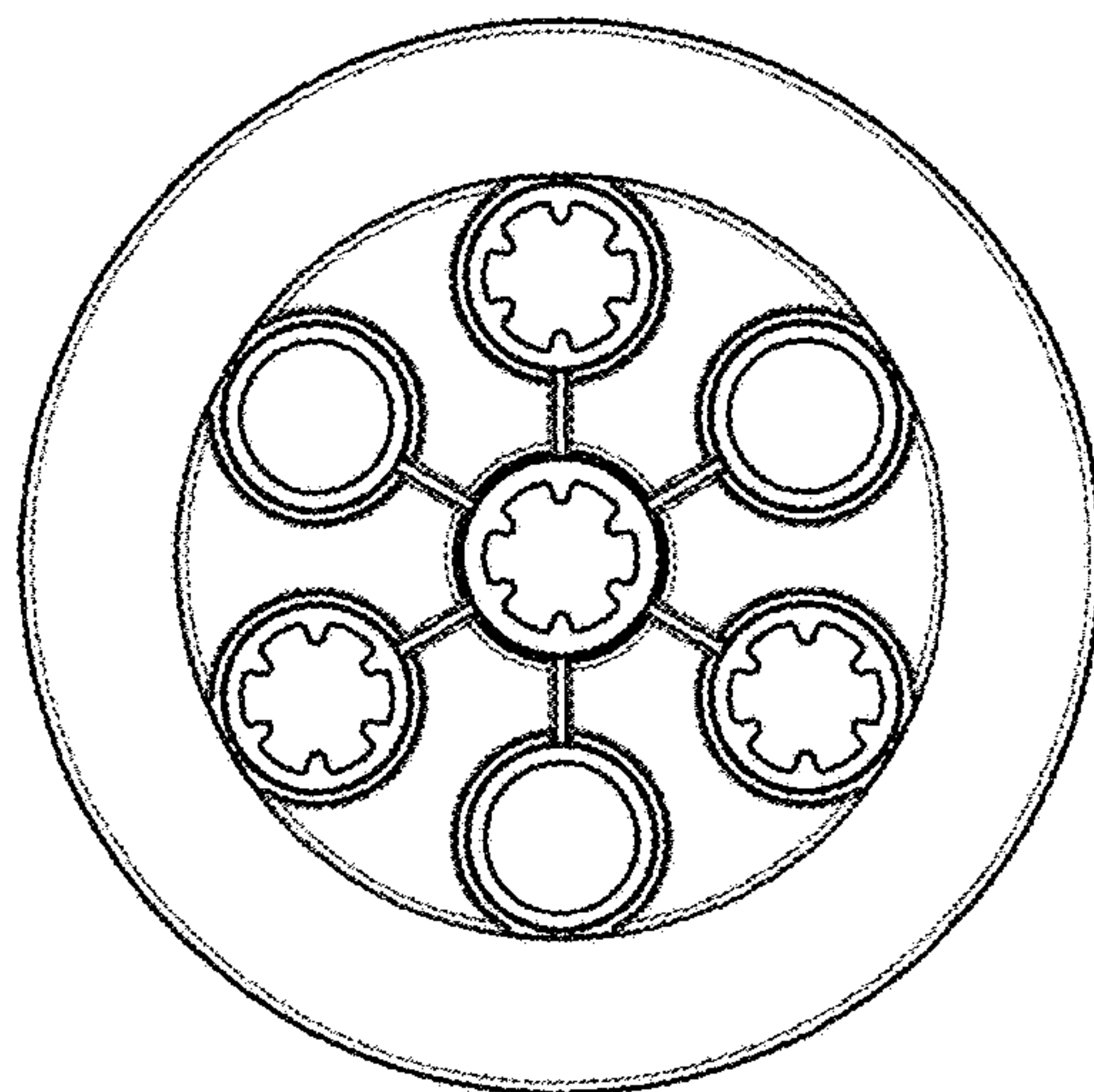


FIG. 4

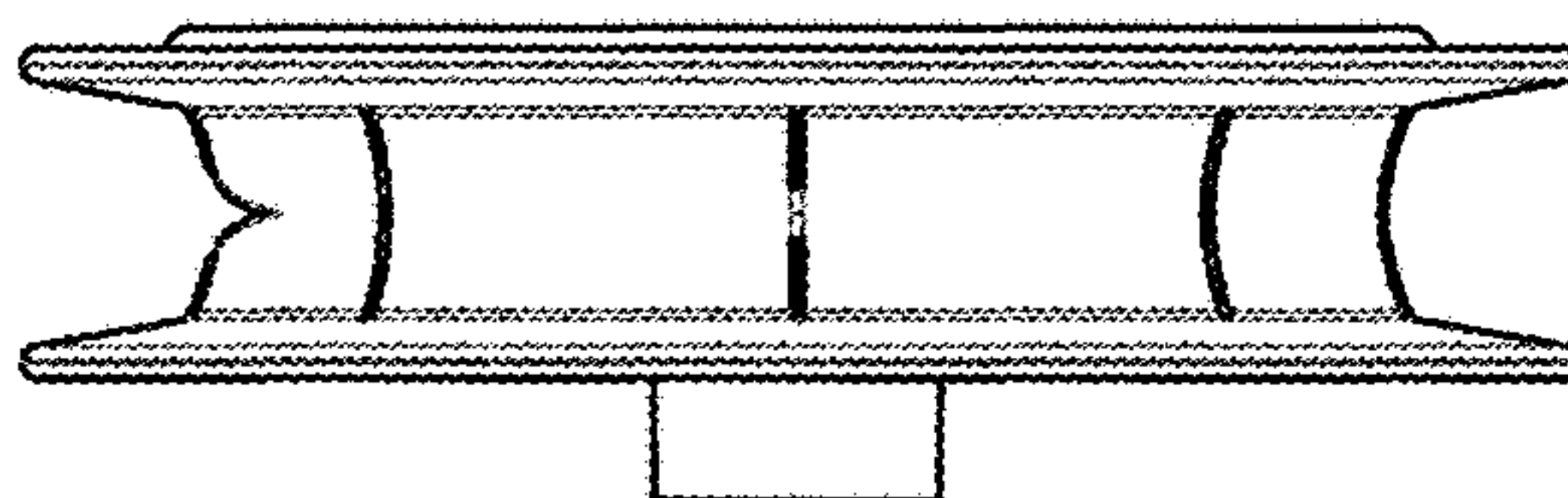


FIG. 5

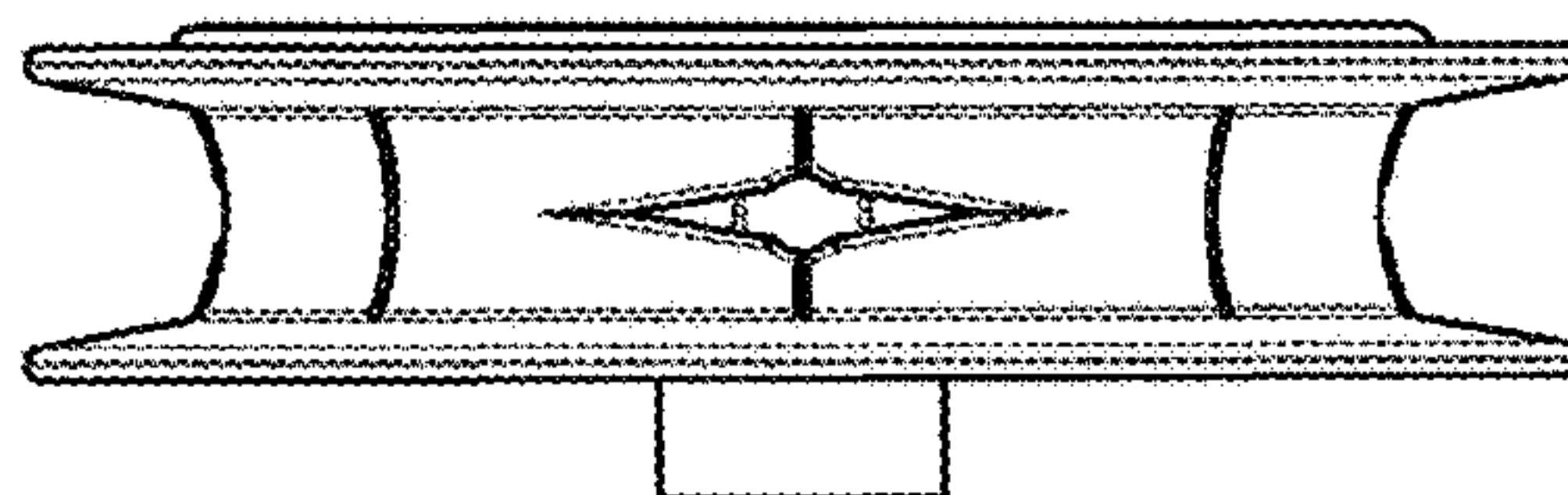


FIG. 6

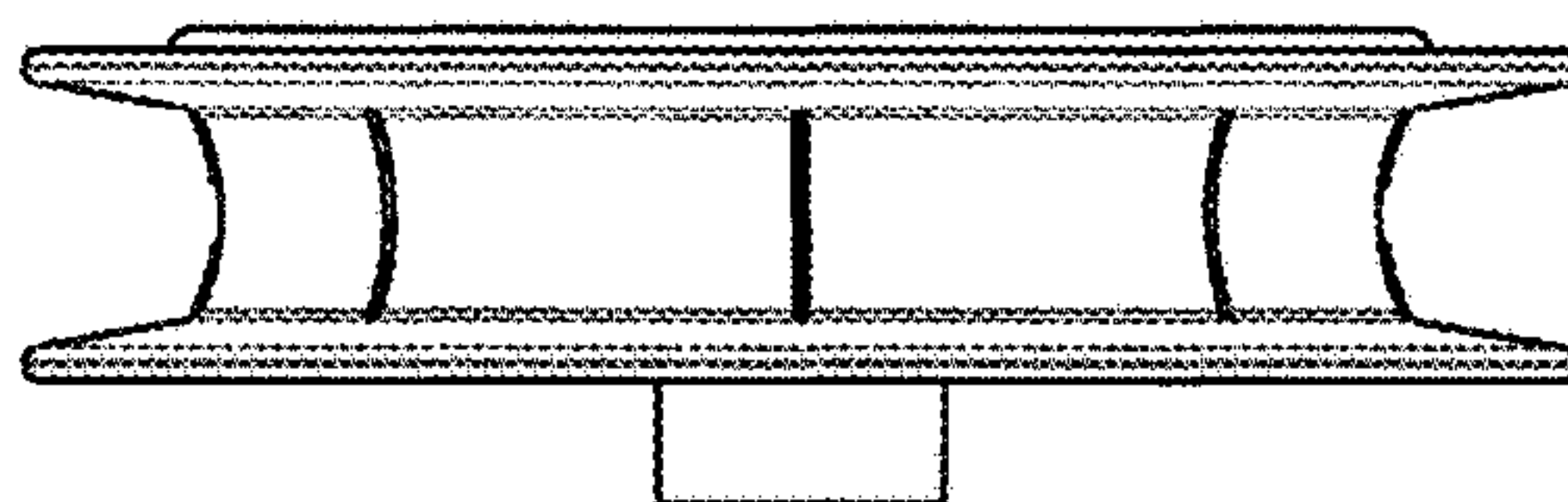


FIG. 7