



US00D833855S

(12) **United States Design Patent** (10) **Patent No.:** **US D833,855 S**
Page (45) **Date of Patent:** **** Nov. 20, 2018**

(54) **LEASH LINK CLIP**
 (71) Applicant: **Gregory A. Page**, Downey, CA (US)
 (72) Inventor: **Gregory A. Page**, Downey, CA (US)
 (**) Term: **15 Years**
 (21) Appl. No.: **29/627,505**
 (22) Filed: **Nov. 28, 2017**
 (51) **LOC (11) Cl.** **09-06**
 (52) **U.S. Cl.**
 USPC **D8/356**
 (58) **Field of Classification Search**
 USPC D8/356, 354, 105
 CPC B65H 57/16; B63B 21/045; A63B 29/08;
 A63B 27/02
 See application file for complete search history.

(56) **References Cited**

U.S. PATENT DOCUMENTS

D282,904 S *	3/1986	Faidide	D8/367
D668,528 S *	10/2012	Chung	D8/356
D702,110 S *	4/2014	Gobbi	D8/356
D735,559 S *	8/2015	Liang	D8/356
D815,512 S *	4/2018	Tong	D8/356
D821,090 S *	6/2018	Case	D3/207

2008/0209700 A1* 9/2008 Goldberg A44C 5/2033
 24/599.6

* cited by examiner

Primary Examiner — Cynthia R Underwood

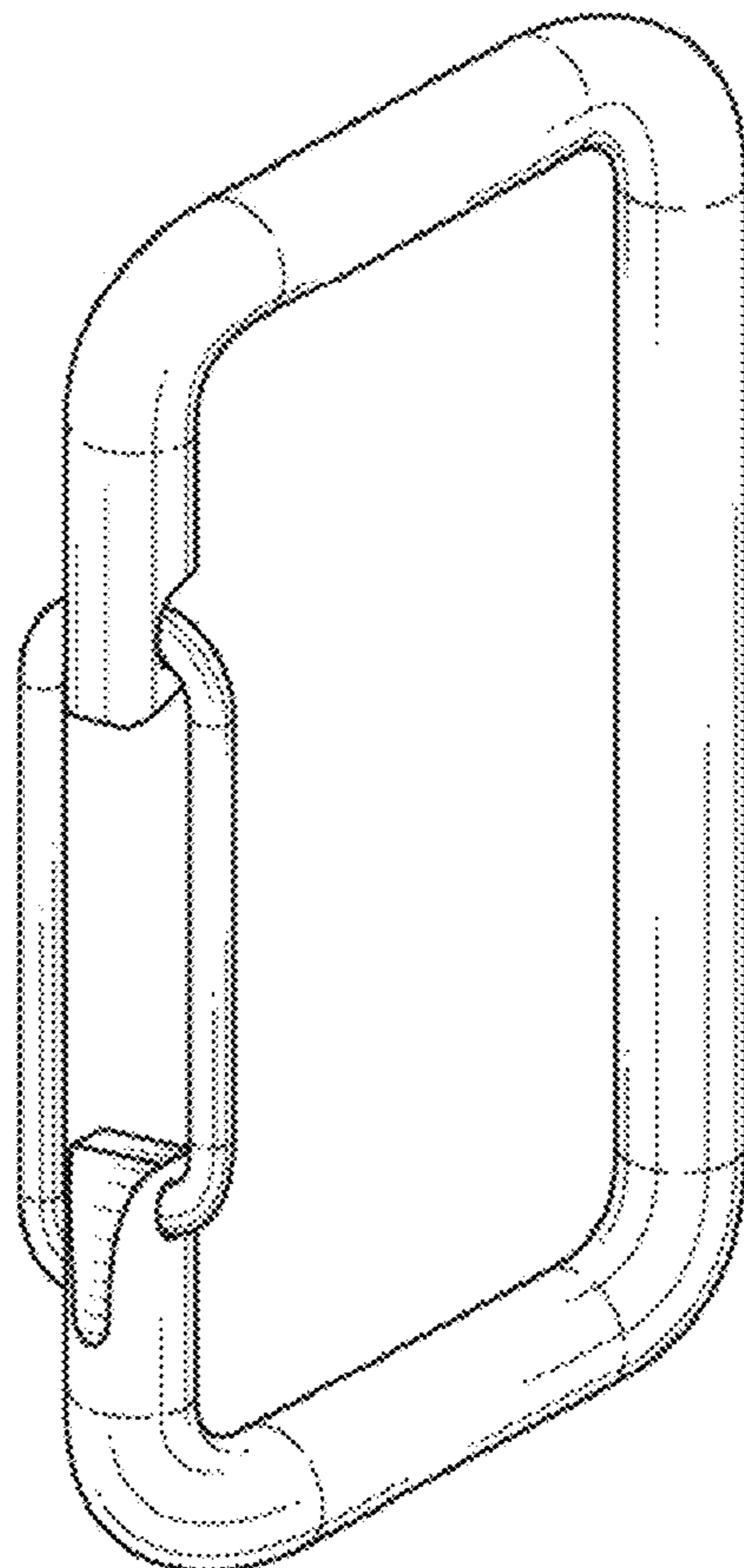
(57) **CLAIM**

The ornamental design for a leash link clip, as shown and described.

DESCRIPTION

FIG. 1 is a front perspective view of a leash link clip showing my new design;
 FIG. 2 is a side view thereof;
 FIG. 3 is an opposite side view thereof;
 FIG. 4 is a front view thereof;
 FIG. 5 is a back view thereof;
 FIG. 6 is a top view thereof;
 FIG. 7 is a bottom view thereof;
 FIG. 8 is another front perspective view thereof;
 FIG. 9 is a back perspective view thereof;
 FIG. 10 is another back perspective view thereof; and,
 FIG. 11 is another side view thereof.
 In FIGS. 8, 10, and 11, the claimed design is shown in an alternative position with the leash link clip depicted in an opened configuration.

1 Claim, 3 Drawing Sheets



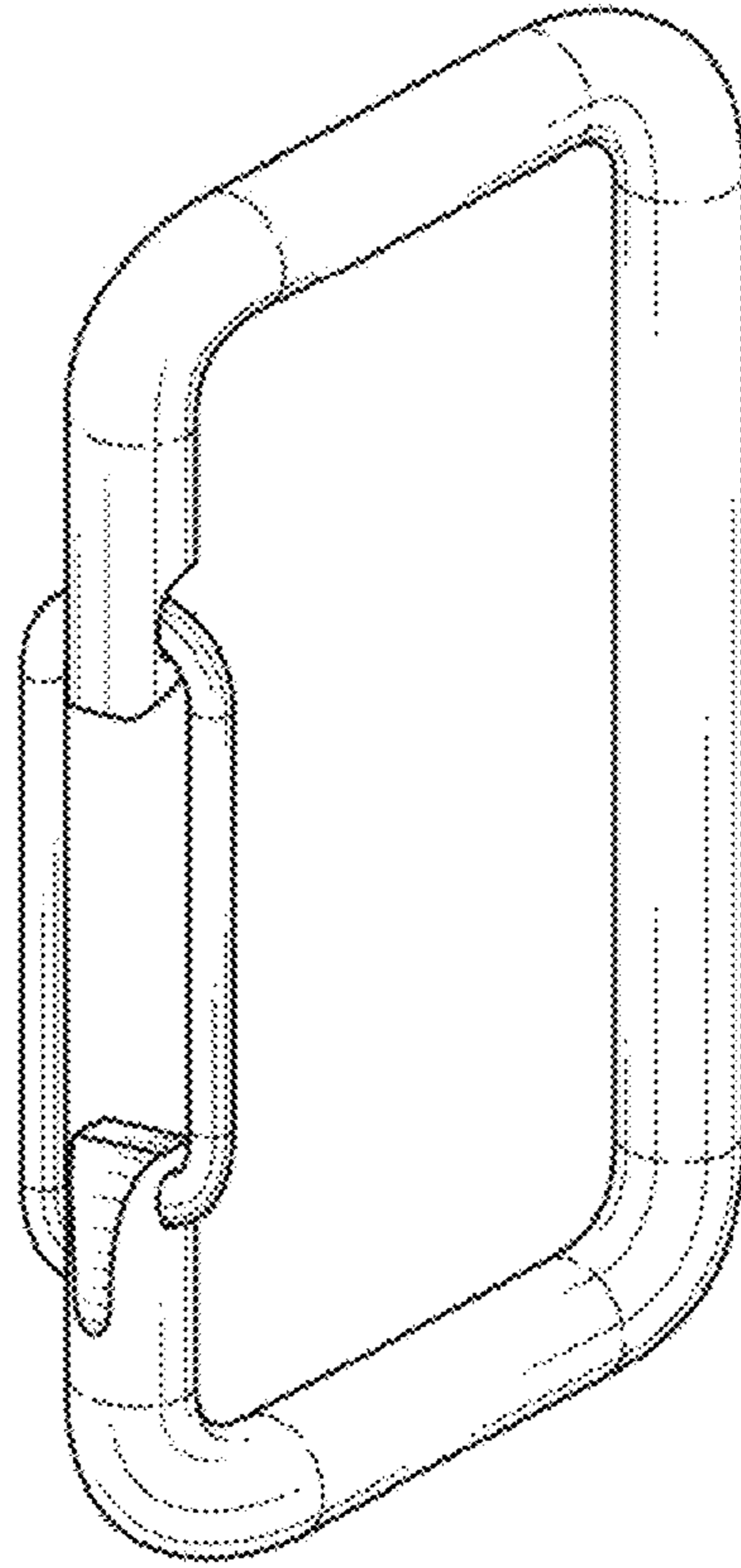


FIG. 1

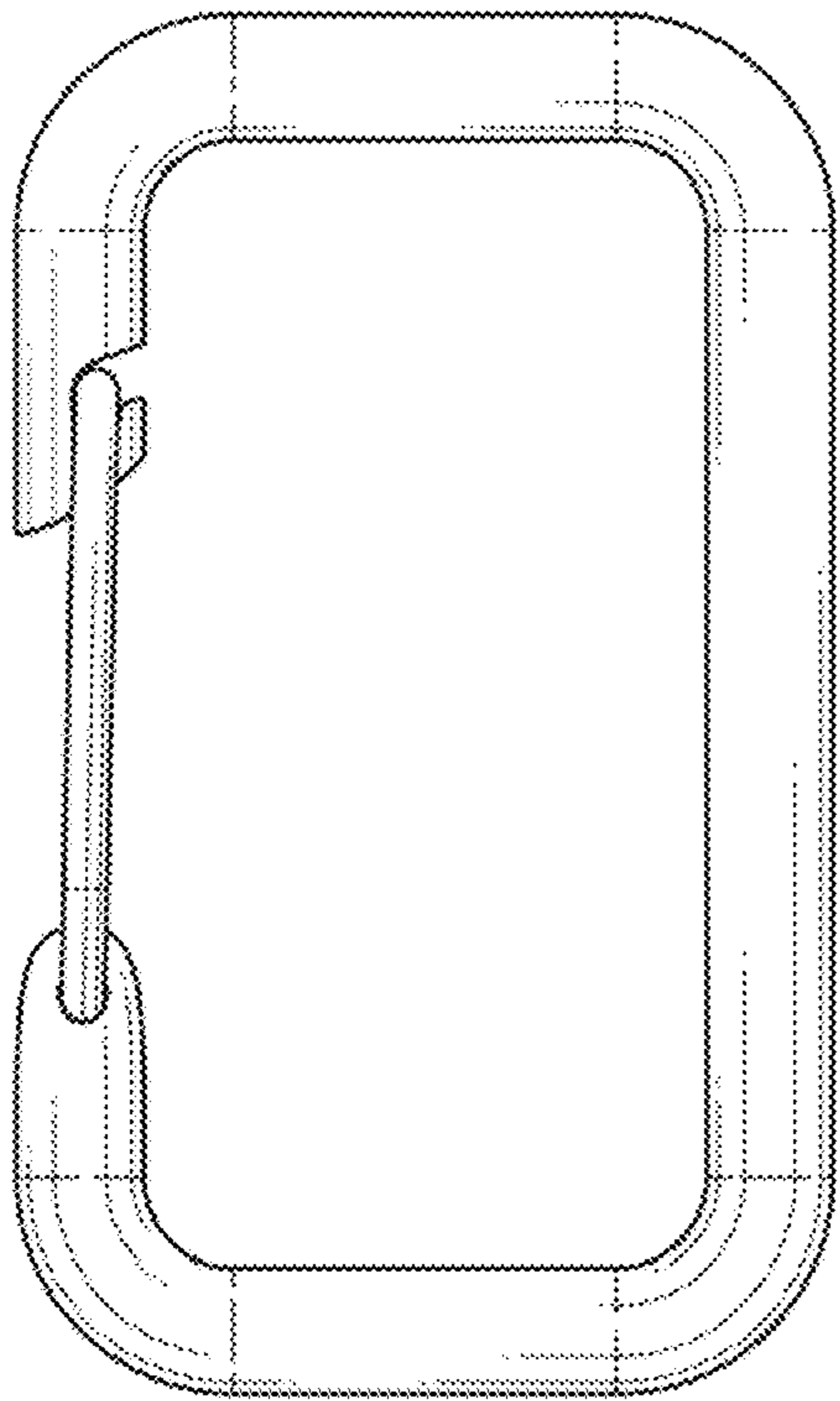


FIG. 2

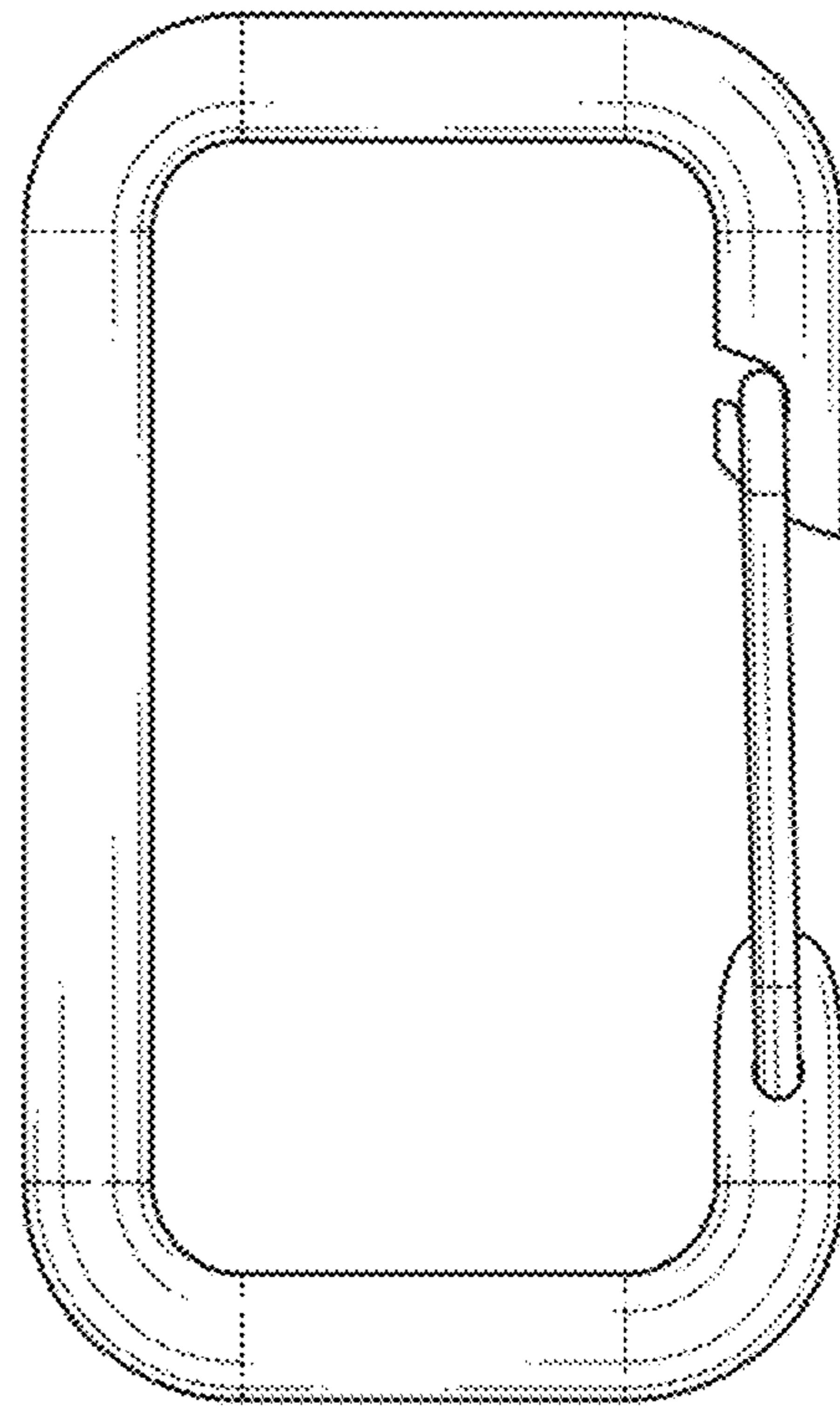


FIG. 3

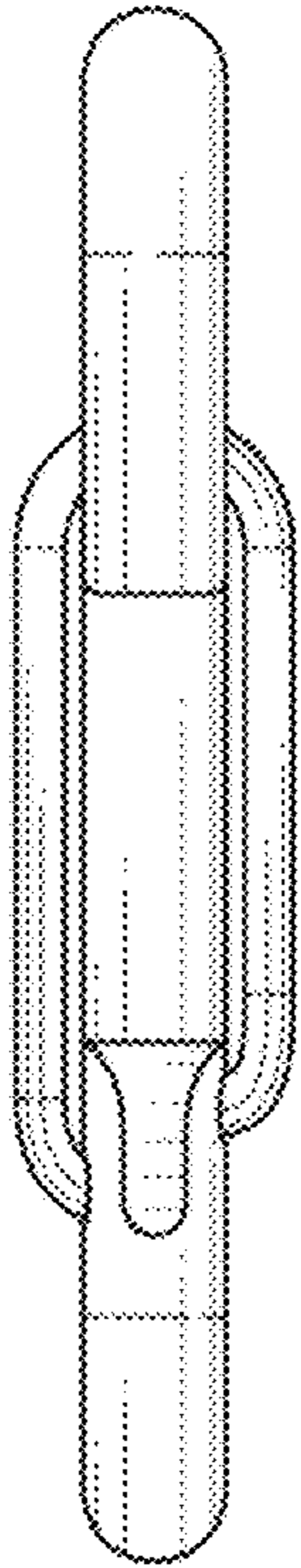


FIG. 4

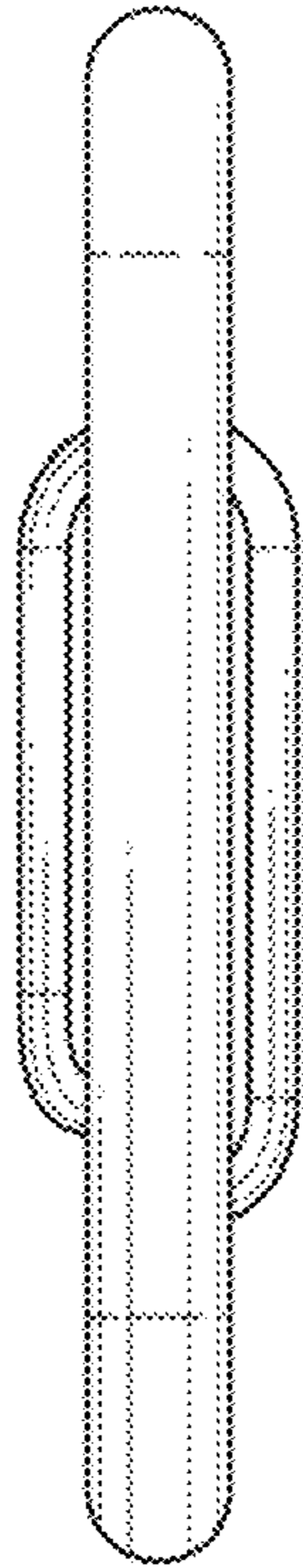


FIG. 5

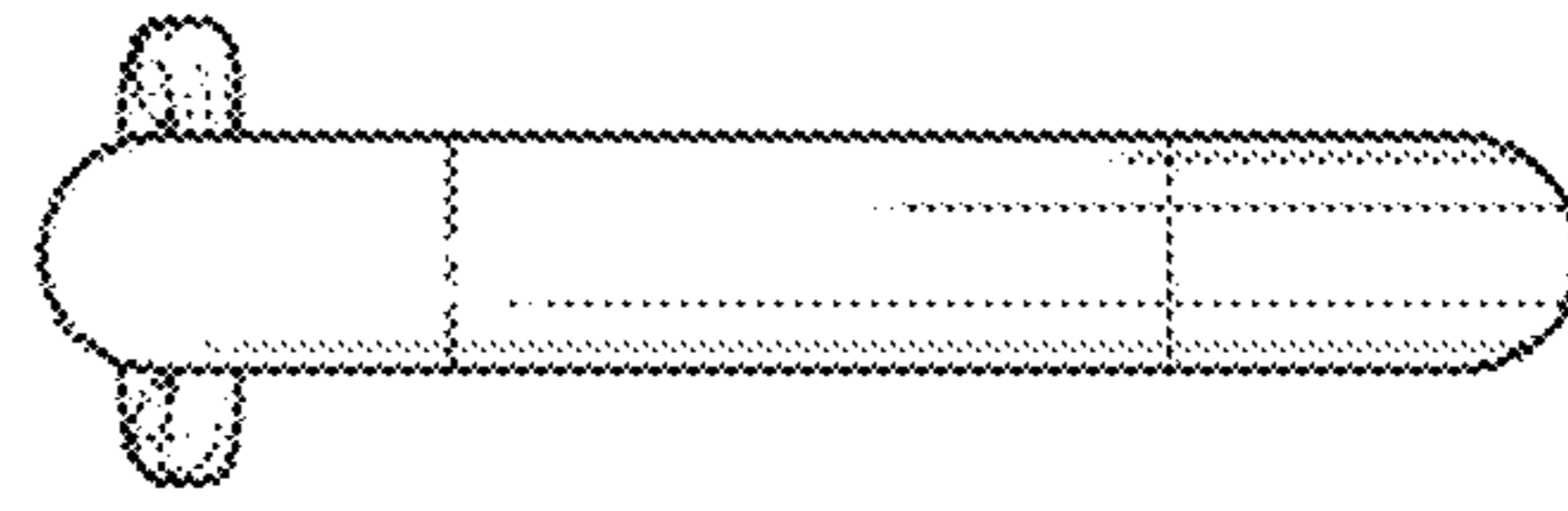


FIG. 6

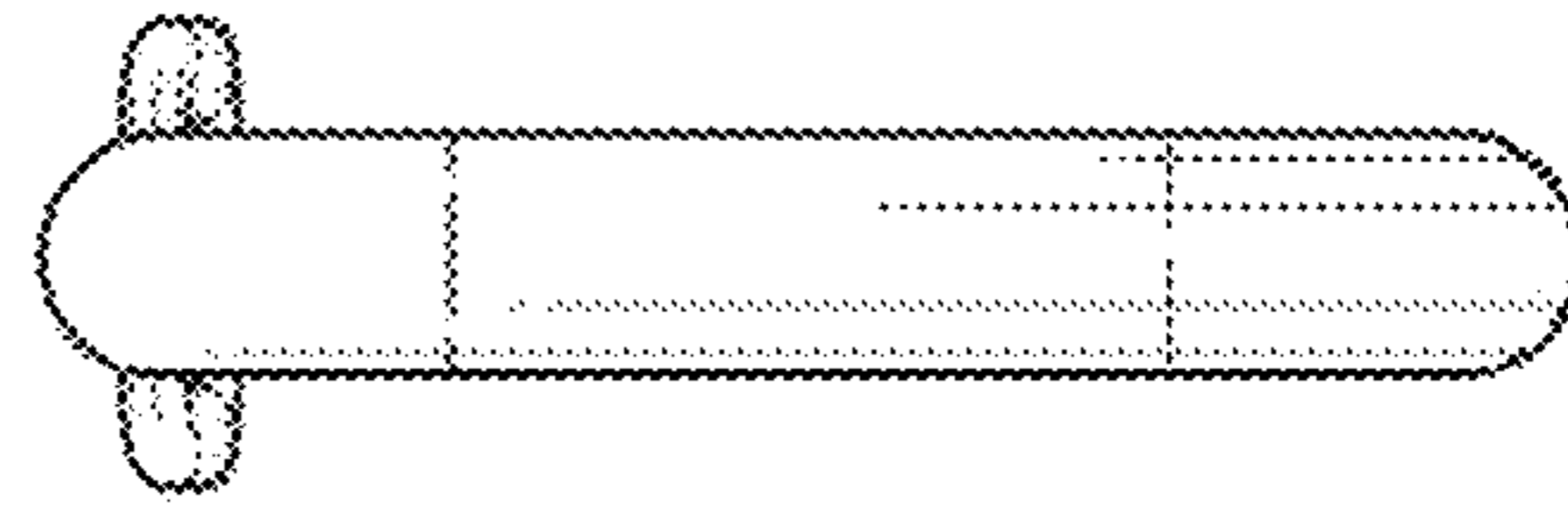


FIG. 7

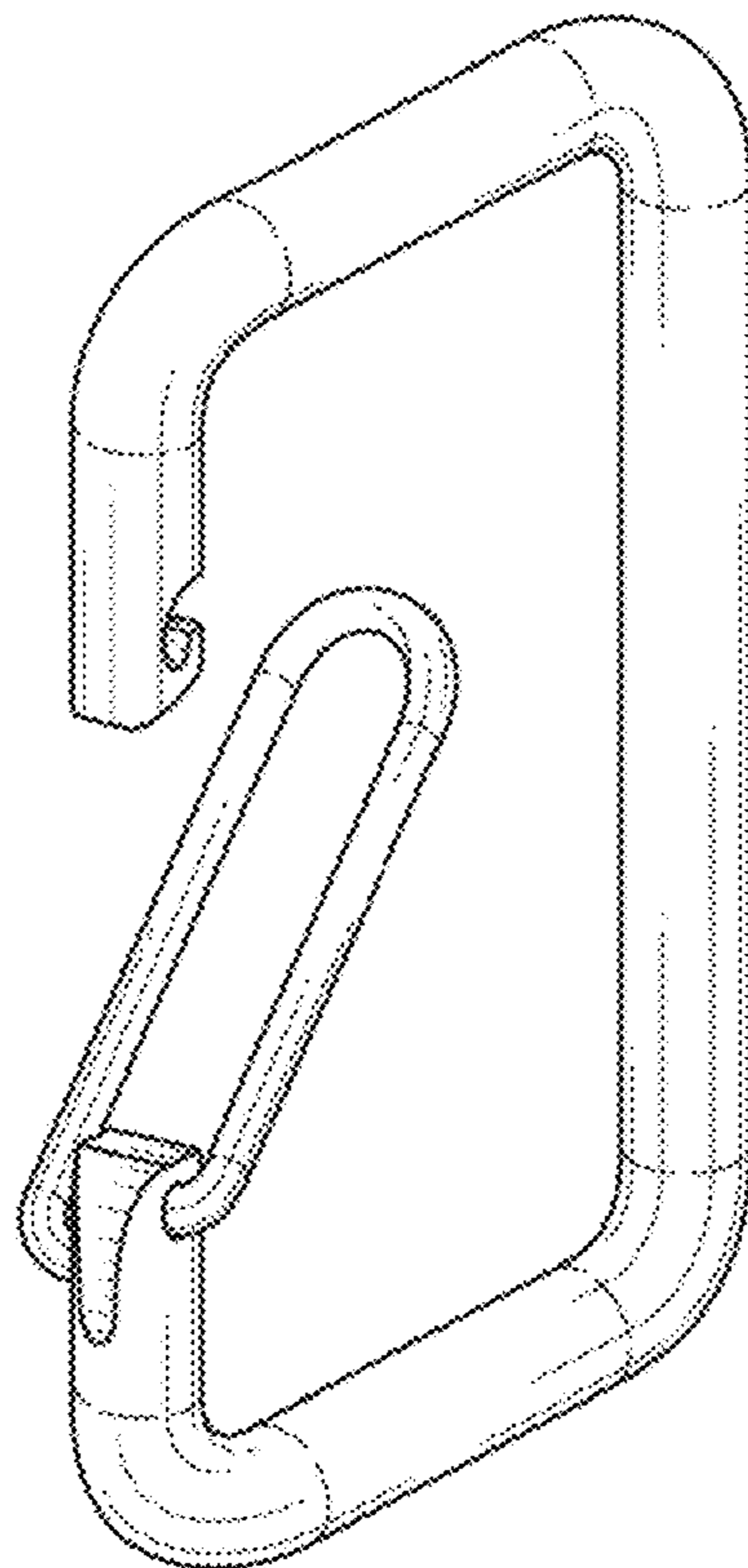


FIG. 8

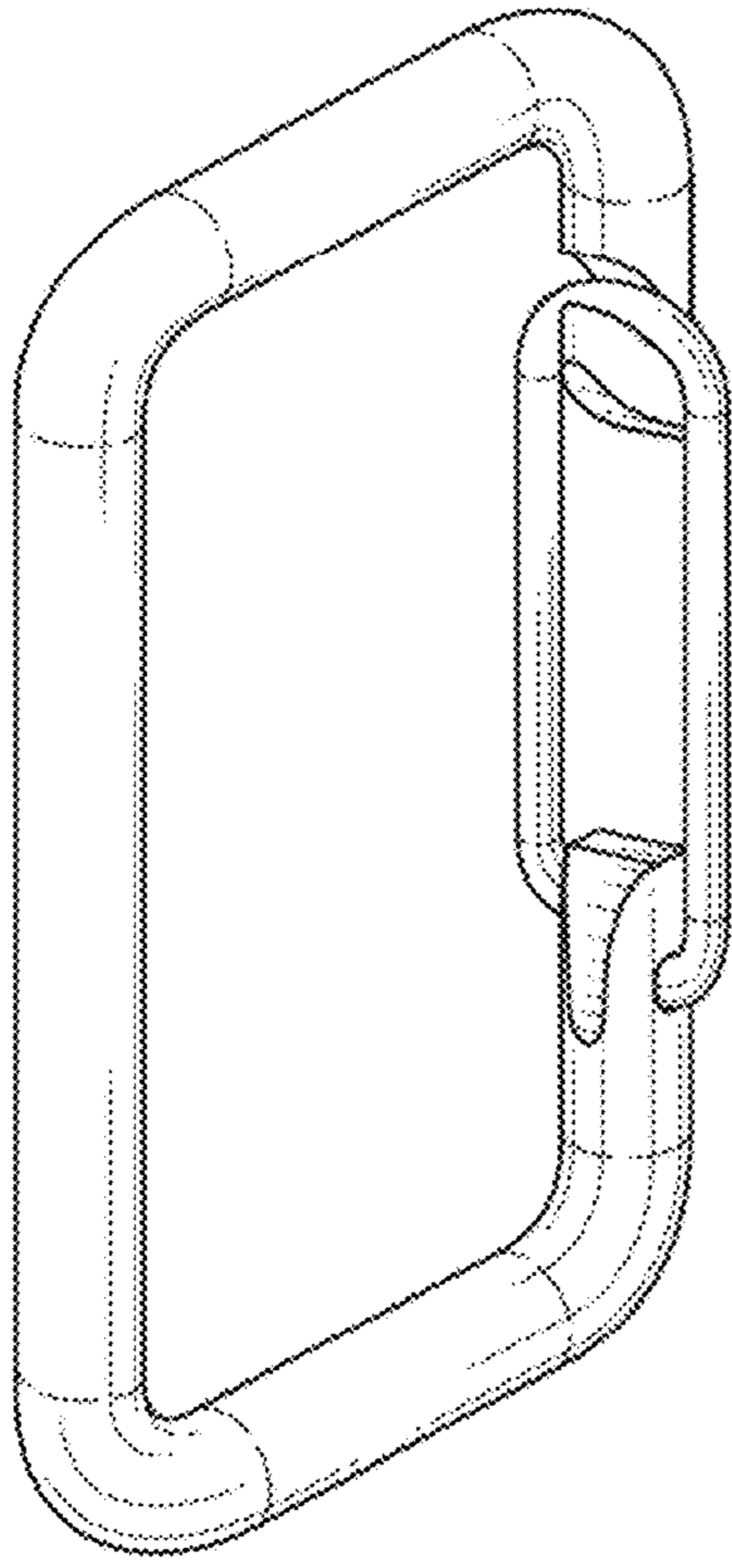


FIG. 9

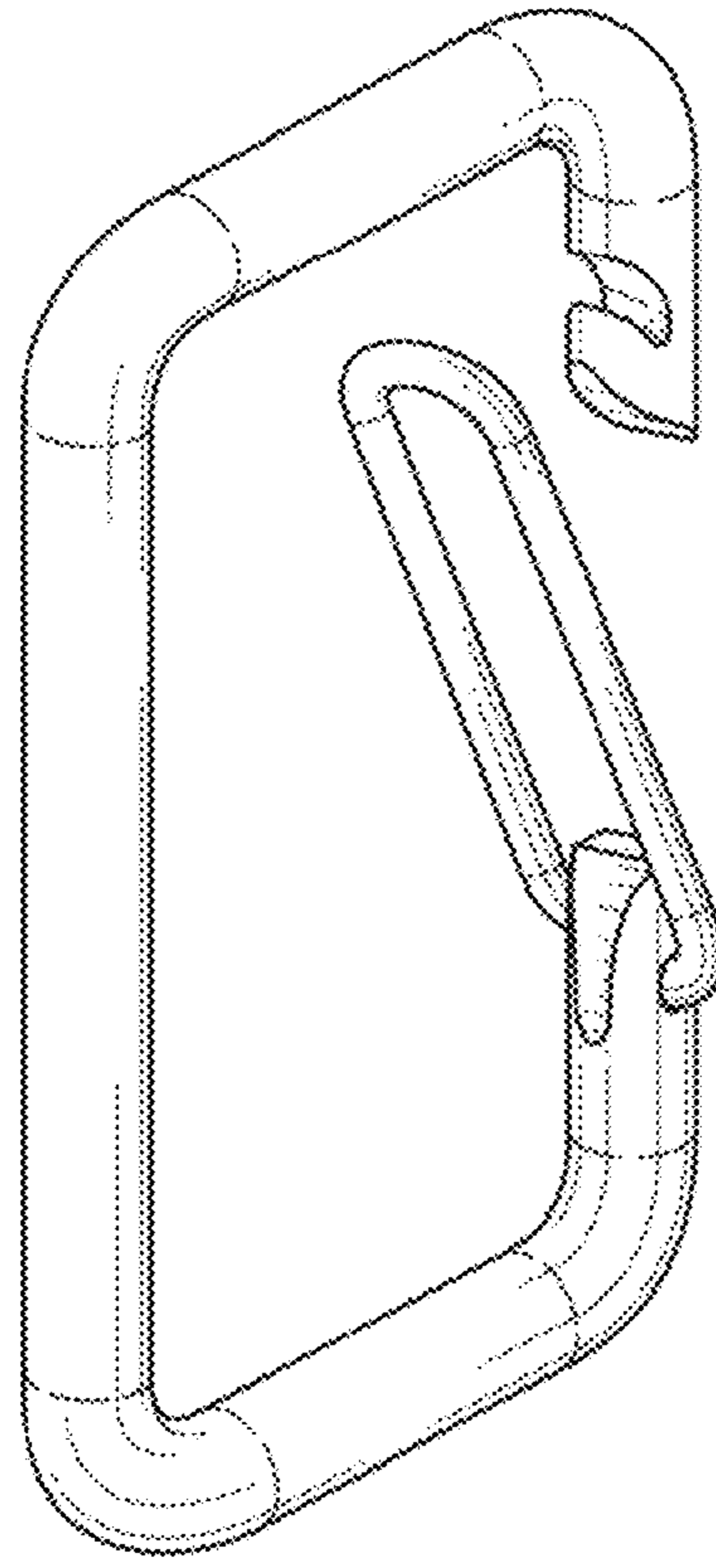


FIG. 10

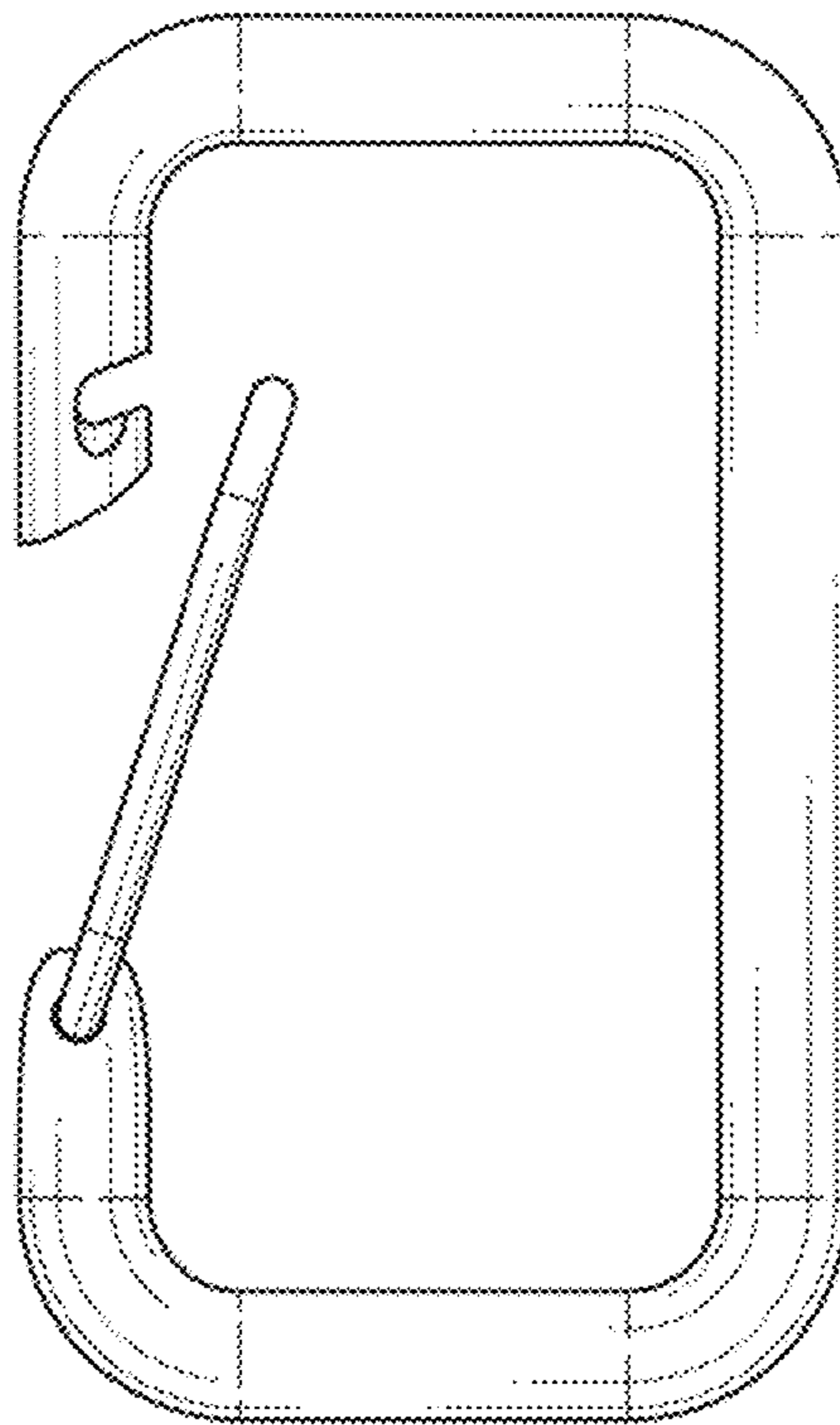


FIG. 11