



US00D833853S

(12) **United States Design Patent**
Berman

(10) **Patent No.:** **US D833,853 S**

(45) **Date of Patent:** **** Nov. 20, 2018**

(54) **CLIP**
(71) Applicant: **True Brands Limited**, Poole (GB)
(72) Inventor: **Lee Berman**, Bournemouth (GB)
(73) Assignee: **True Brands Limited**, Poole (GB)
(**) Term: **15 Years**

D626,393 S * 11/2010 Ormsbee D8/18
D637,473 S * 5/2011 Mitchell D8/336
D646,556 S * 10/2011 Kelleghan D8/356
D669,764 S * 10/2012 Kelleghan D8/356
D702,106 S * 4/2014 Weinberg D8/356
D762,460 S * 8/2016 Gobbi D8/356
D775,513 S * 1/2017 Kelleghan D8/356
2016/0153487 A1 * 6/2016 Hollinger F16B 45/02
24/376

(21) Appl. No.: **29/582,127**

* cited by examiner

(22) Filed: **Oct. 25, 2016**

Primary Examiner — Cynthia R Underwood

(30) **Foreign Application Priority Data**

(74) *Attorney, Agent, or Firm* — Thorpe North & Western
LLP

Jul. 21, 2016 (EM) 003313998-0001

(51) **LOC (11) Cl.** **09-06**

(52) **U.S. Cl.**
USPC **D8/356**

(57) **CLAIM**

(58) **Field of Classification Search**

The ornamental design for the clip, as shown and described.

USPC D8/356, 367

CPC F16L 3/13; F16L 3/26; A47G 23/0225;

A47G 25/06; A47G 1/16; A47F 5/0846;

D06F 55/00; E04H 17/10; H02G 11/003;

F16B 45/02

See application file for complete search history.

DESCRIPTION

FIG. 1 is side view of a clip in accordance with my invention;

FIG. 2 is a top perspective view of the clip;

FIG. 3 is a top view of the clip; and,

FIG. 4 is a bottom view of the clip.

(56) **References Cited**

U.S. PATENT DOCUMENTS

D577,574 S * 9/2008 Liang D8/356
D607,712 S * 1/2010 Kelleghan D8/356

1 Claim, 4 Drawing Sheets

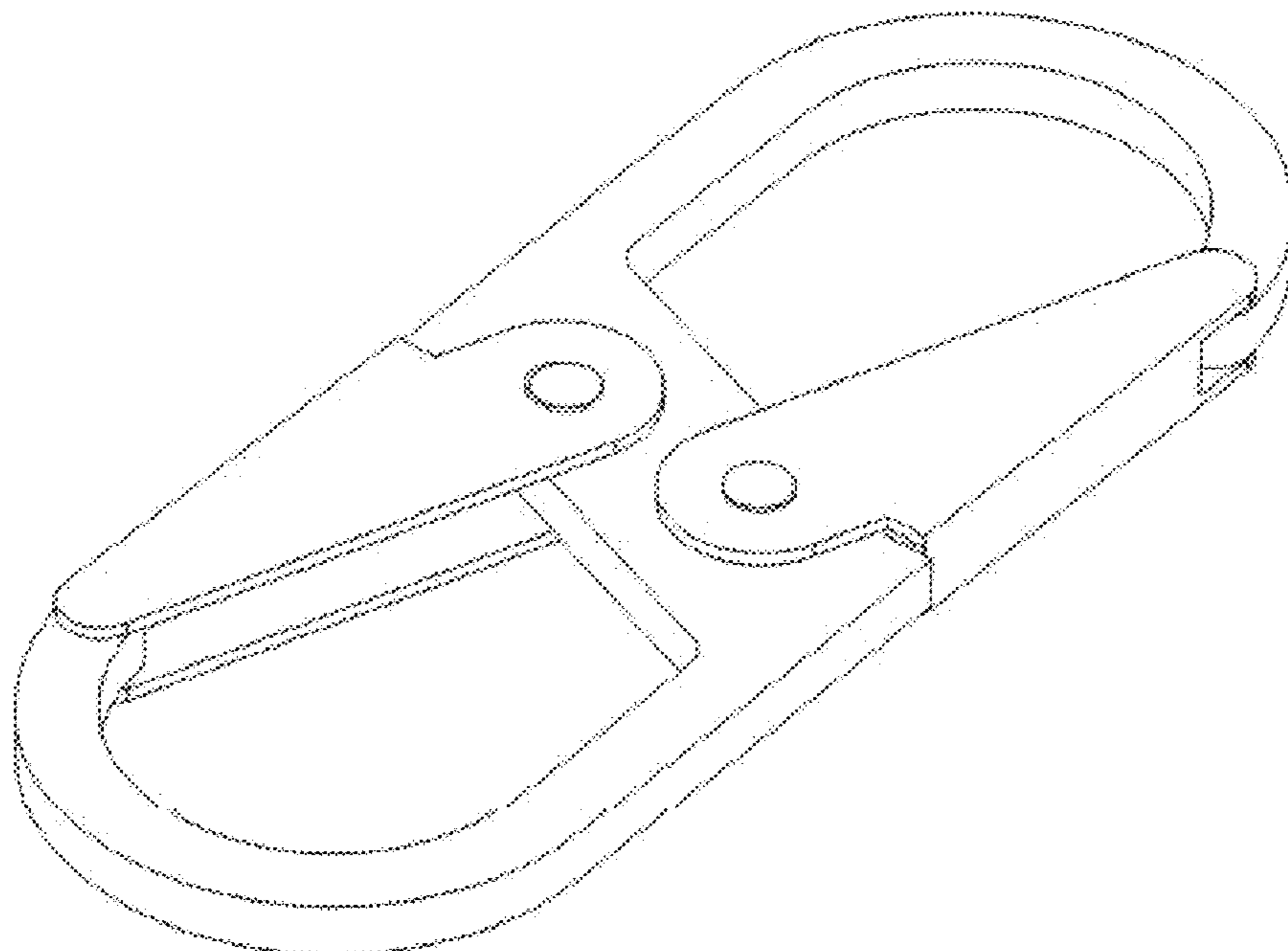




FIG. 1

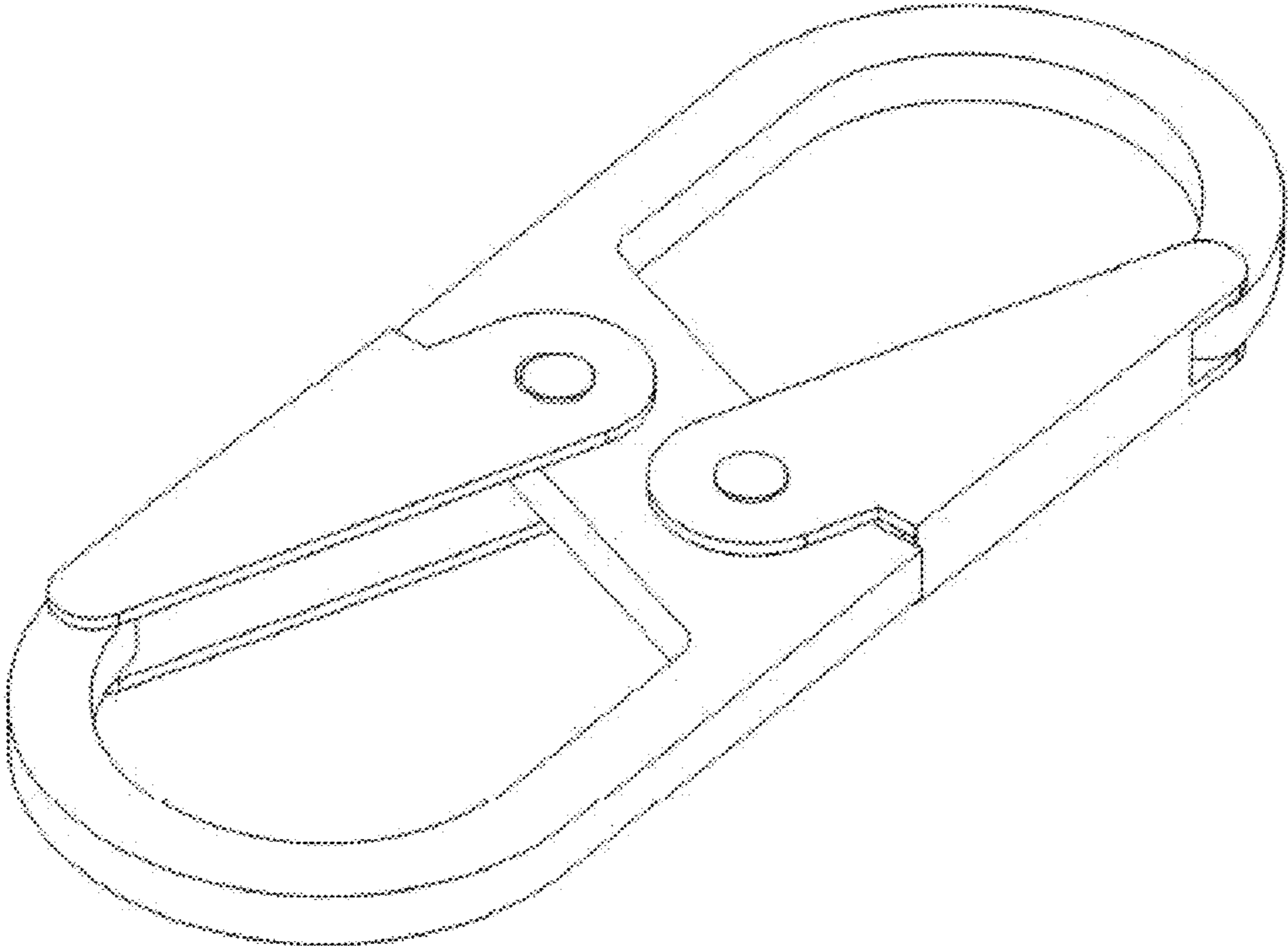


FIG. 2

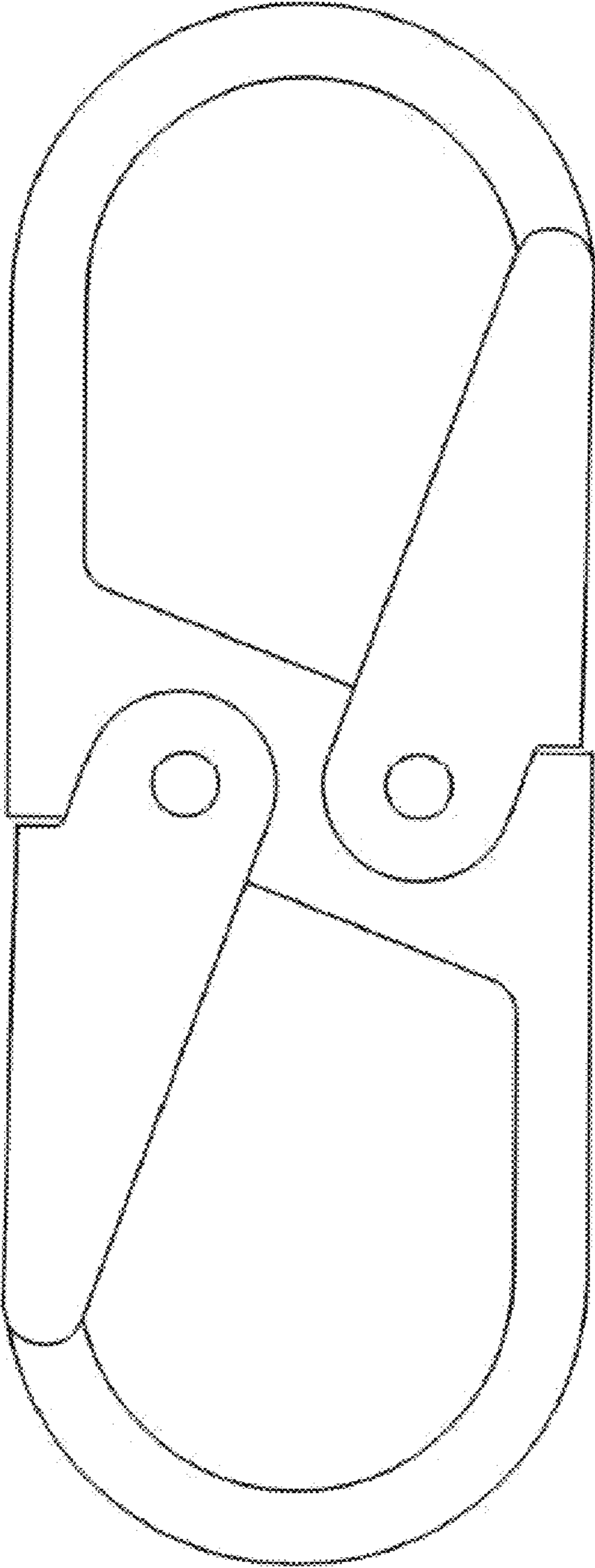


FIG. 3

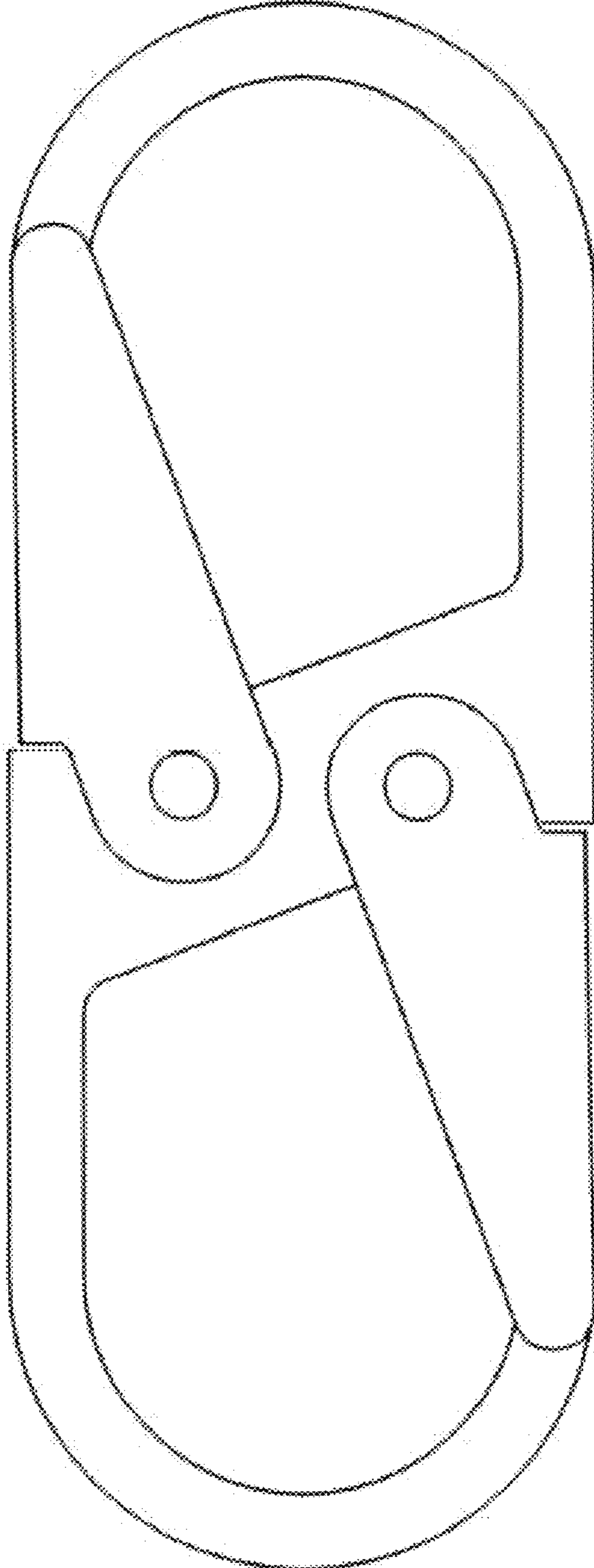


FIG. 4