



US00D833852S

(12) **United States Design Patent** (10) **Patent No.:** **US D833,852 S**
Umholtz et al. (45) **Date of Patent:** **** Nov. 20, 2018**

(54) **SUCTION CUP**

(71) Applicants: **Mason Adam Umholtz**, Brooklyn, NY (US); **Francois de Martrin-Donos**, Brooklyn, NY (US); **Kirsten Climer**, Brooklyn, NY (US); **Koby Trout**, Brooklyn, NY (US)

(72) Inventors: **Mason Adam Umholtz**, Brooklyn, NY (US); **Francois de Martrin-Donos**, Brooklyn, NY (US); **Kirsten Climer**, Brooklyn, NY (US); **Koby Trout**, Brooklyn, NY (US)

(73) Assignee: **Helen of Troy Limited**, St. Michael (BB)

(**) Term: **15 Years**

(21) Appl. No.: **29/606,375**

(22) Filed: **Jun. 4, 2017**

(51) **LOC (11) Cl.** **08-05**

(52) **U.S. Cl.**
USPC **D8/354**

(58) **Field of Classification Search**
USPC D8/60, 61, 77, 82, 342, 349, 354, 355, D8/356, 367, 382, 396, 499
CPC F16B 47/00; F16B 47/003; F16B 47/006; A47G 1/16; A47G 1/17; A45D 42/14
See application file for complete search history.

(56) **References Cited**

U.S. PATENT DOCUMENTS

2,679,998 A * 6/1954 Keller F16B 47/003
248/205.3
D408,725 S * 4/1999 Adams D8/373

D423,329 S * 4/2000 Adams D8/354
D506,380 S * 6/2005 Chu D8/349
D533,076 S * 12/2006 Awbrey D9/719
D637,823 S * 5/2011 Sakuma D6/320
D692,293 S * 10/2013 Toscani D8/356
D747,644 S * 1/2016 Snider D8/394
D782,210 S * 3/2017 Jang D6/300
9,611,884 B1 * 4/2017 Kuo F16B 47/00
2015/0330438 A1 * 11/2015 Shi A47K 10/14
248/205.8
2017/0306995 A1 * 10/2017 Mutch A47K 3/281
2018/0127163 A1 * 5/2018 Choi B65D 43/22

* cited by examiner

Primary Examiner — Jennifer Rivard
Assistant Examiner — Alison M Ofstun

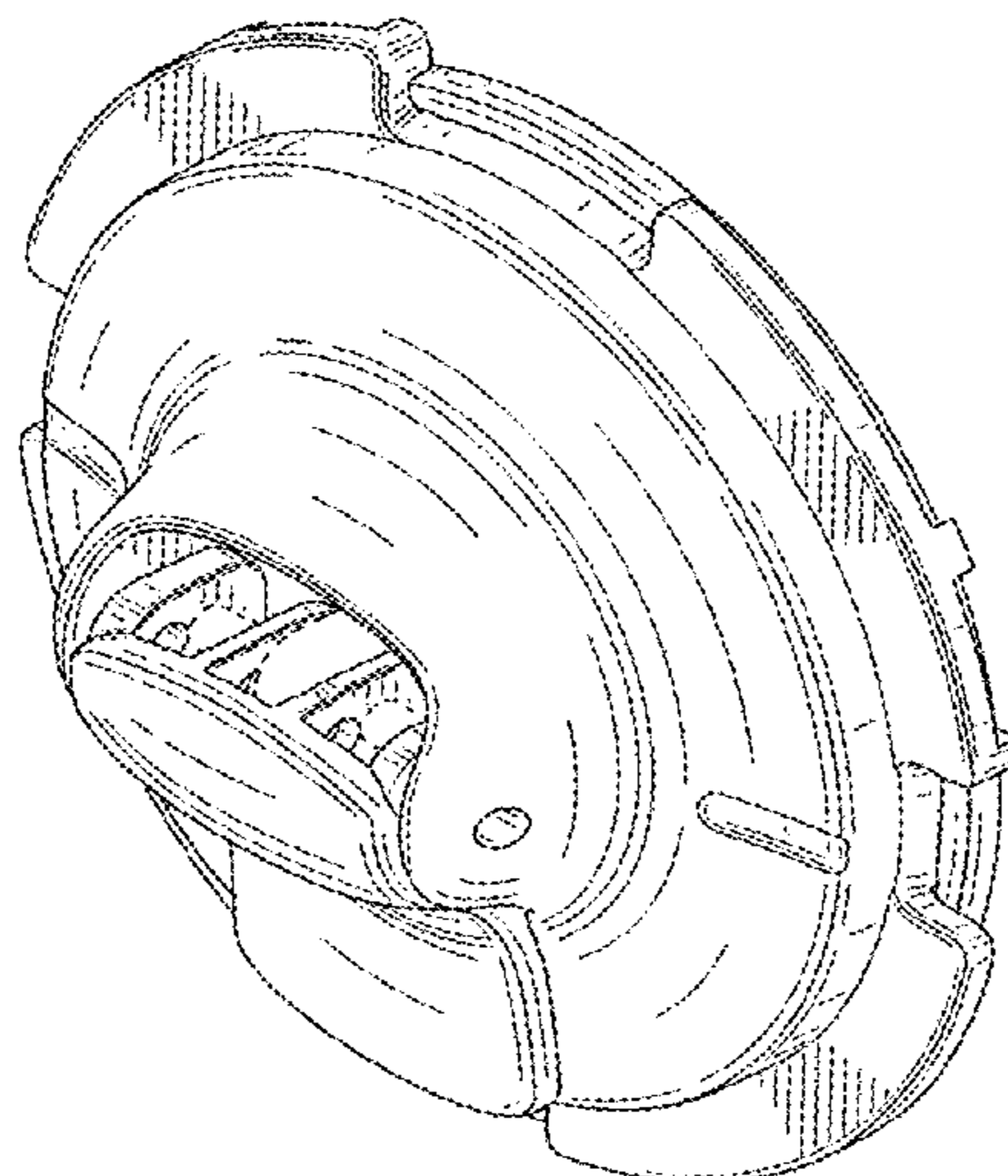
(57) **CLAIM**

The ornamental design for a suction cup, as shown, and described.

DESCRIPTION

FIG. 1 is a perspective view of the suction cup;
FIG. 2 is a front view of the suction cup;
FIG. 3 is a rear view of the suction cup;
FIG. 4 is a left side view of the suction cup (with the right side a mirror image thereof);
FIG. 5 is a top view of the suction cup; and,
FIG. 6 is a bottom view of the suction cup.
The broken lines depict unclaimed structure and form no part of the claimed design.

1 Claim, 6 Drawing Sheets



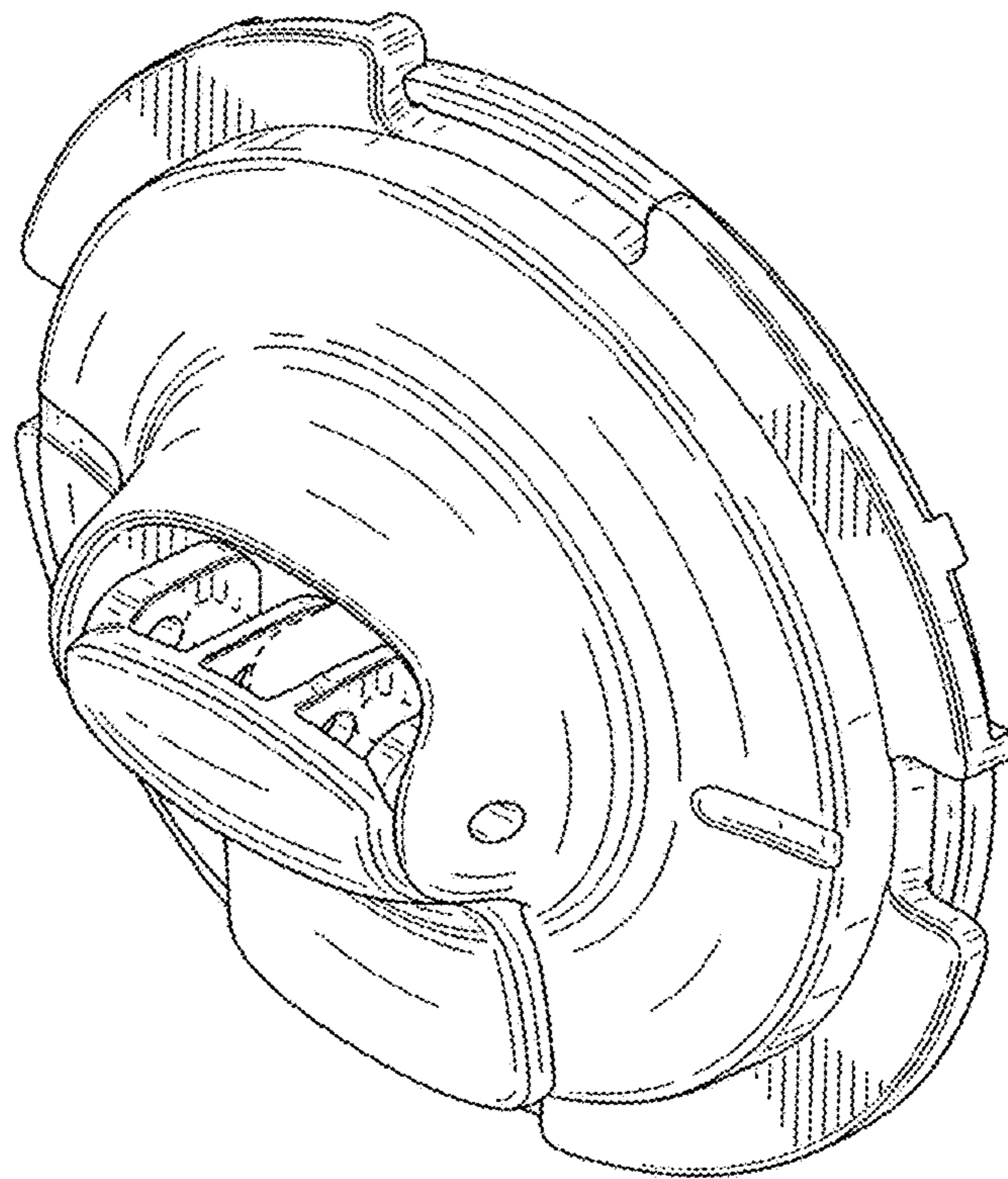


FIG. 1

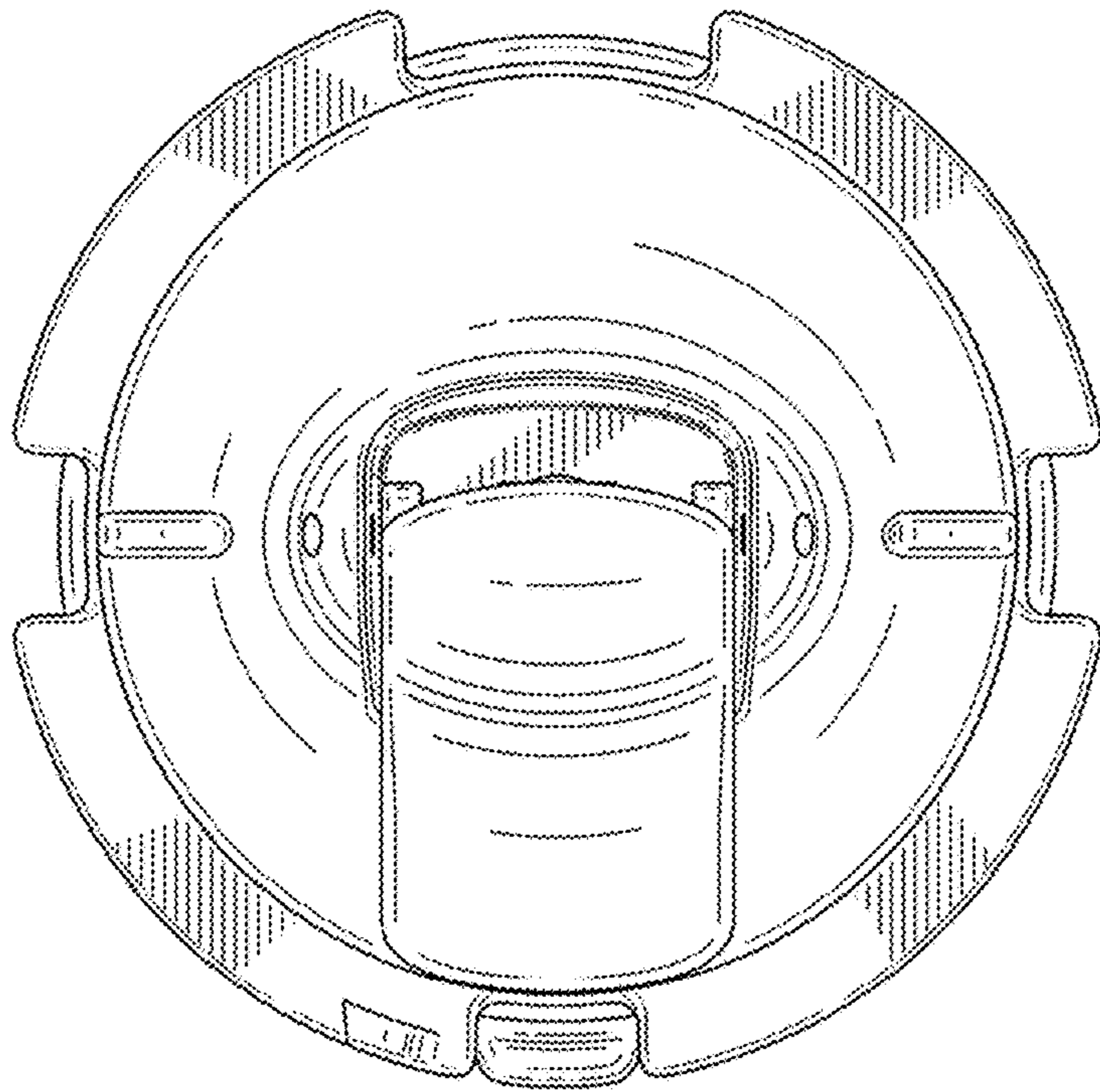


FIG. 2

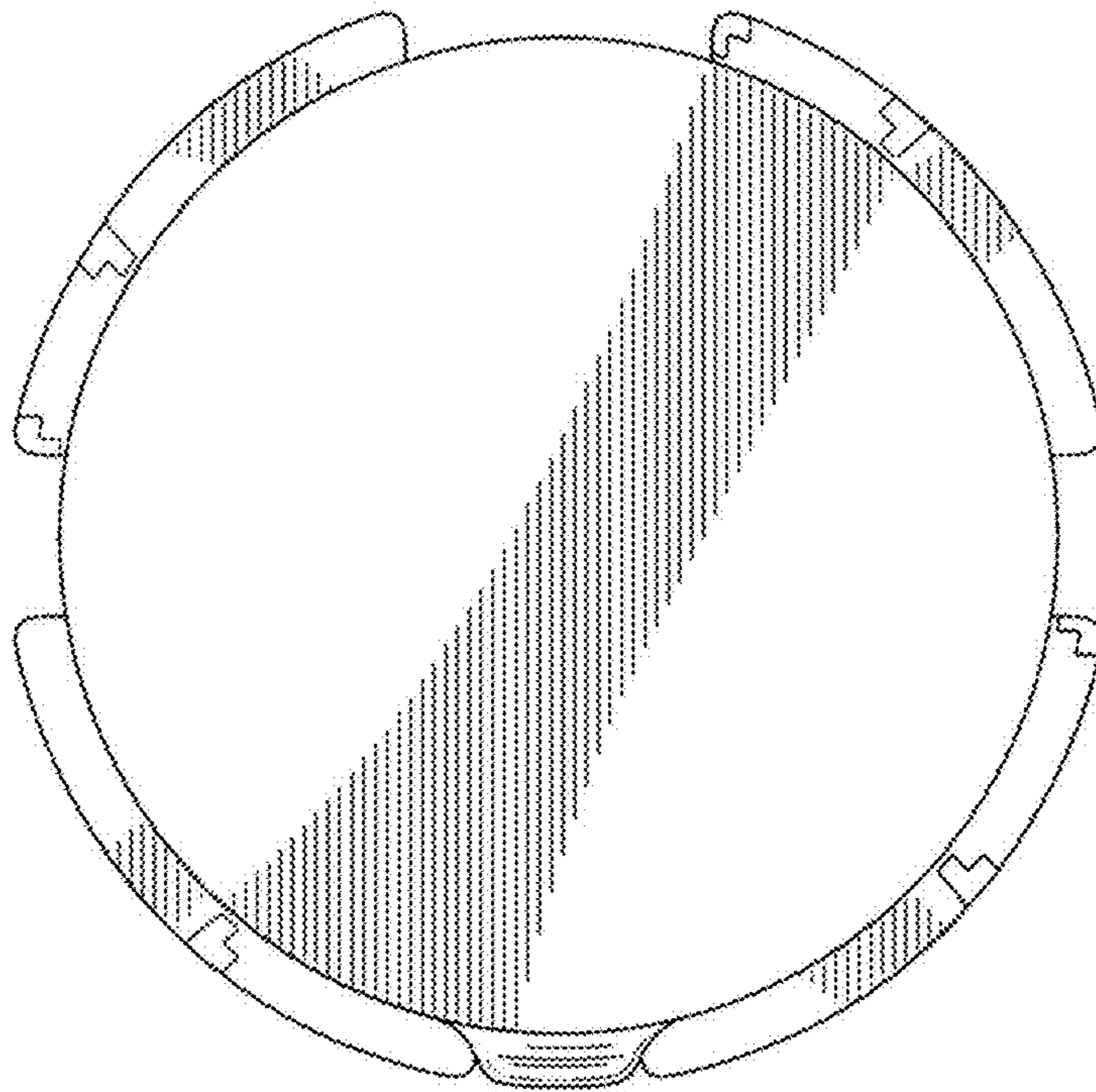


FIG. 3

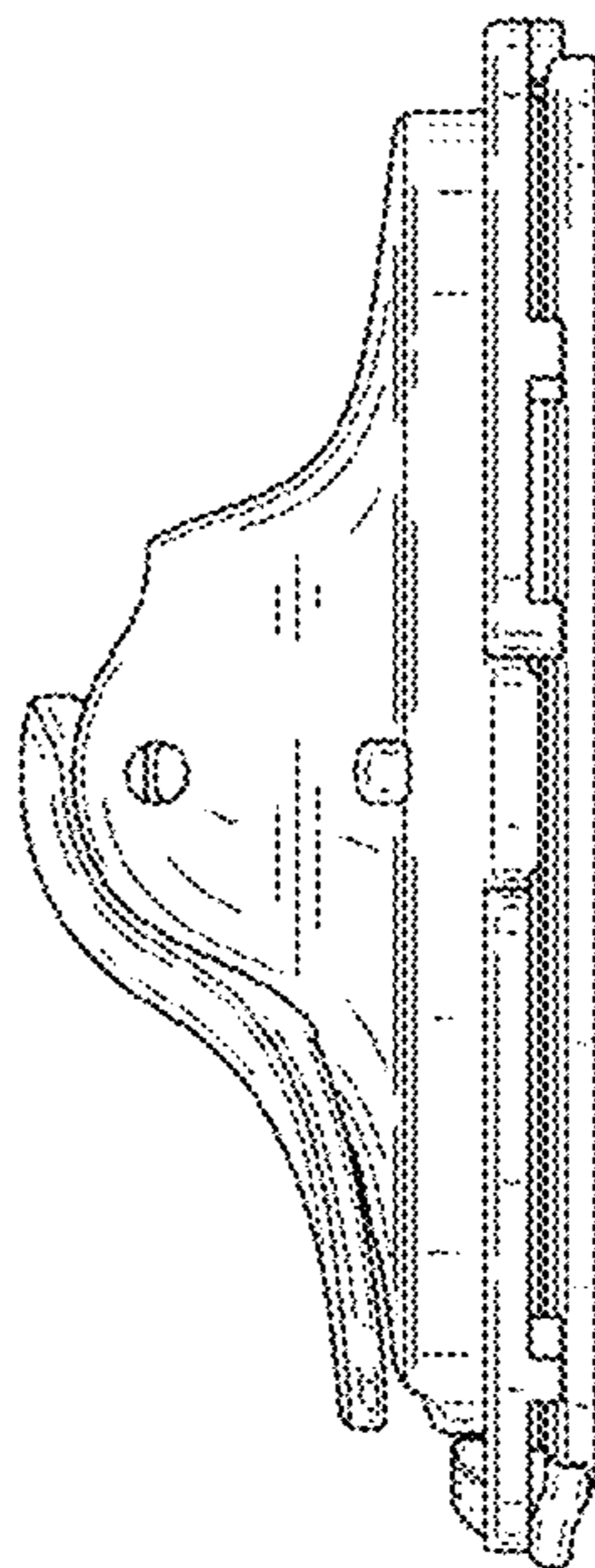


FIG. 4

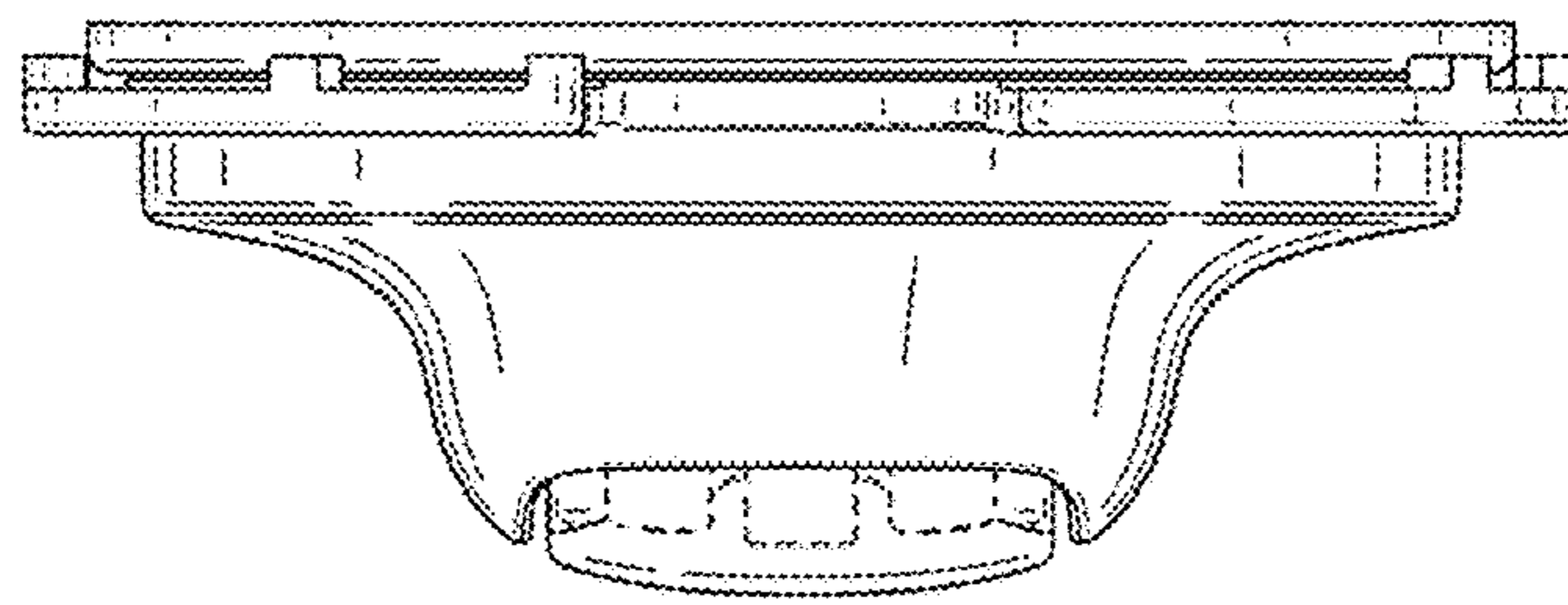


FIG. 5

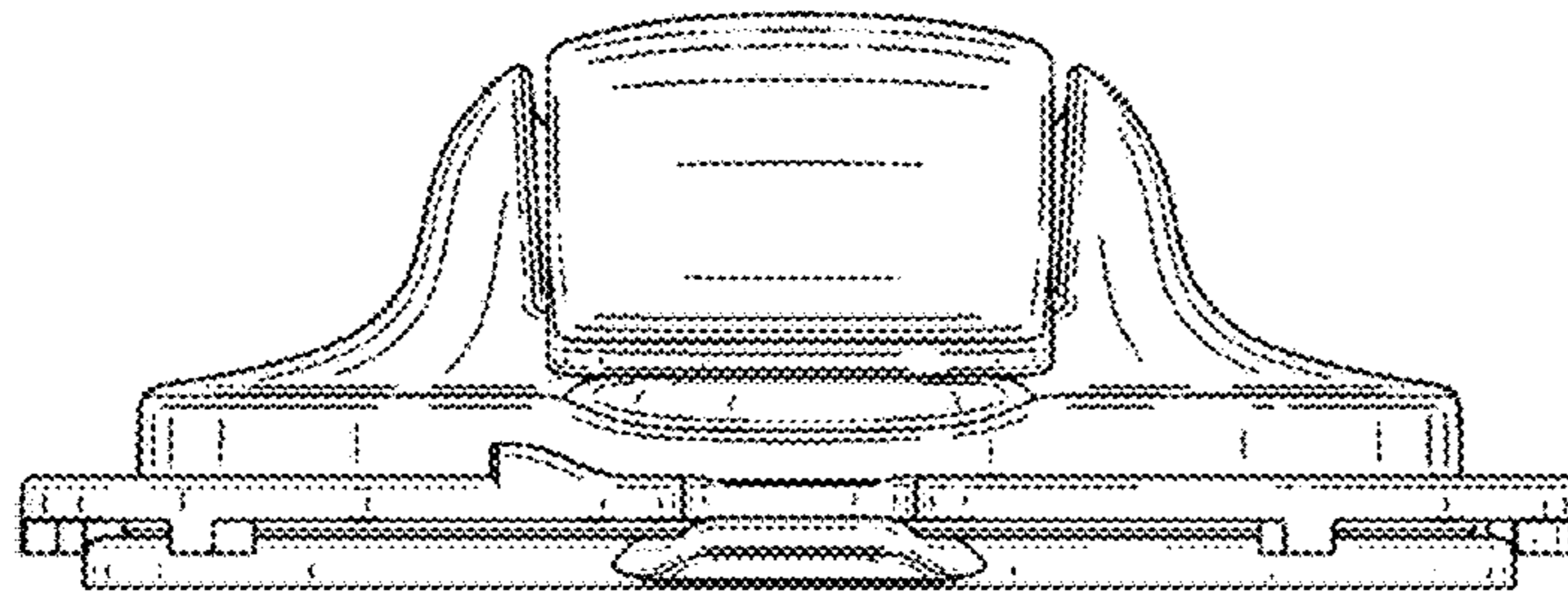


FIG. 6