



US00D833851S

(12) **United States Design Patent** (10) **Patent No.:** **US D833,851 S**
Kanter (45) **Date of Patent:** **** Nov. 20, 2018**

- (54) **VESA MOUNT ADAPTER BRACKET**
- (71) Applicant: **HumanCentric Ventures LLC**, Skokie, IL (US)
- (72) Inventor: **Simcha Kanter**, Chicago, IL (US)
- (73) Assignee: **HUMANCENTRIC VENTURES LLC**, Skokie, IL (US)
- (**) Term: **15 Years**
- (21) Appl. No.: **29/594,766**
- (22) Filed: **Feb. 22, 2017**
- (51) **LOC (11) Cl.** **08-05**
- (52) **U.S. Cl.**
USPC **D8/354**
- (58) **Field of Classification Search**
USPC D8/349, 354, 373, 380; D14/451
CPC F16M 11/045; F16M 11/048; F16M 13/00
See application file for complete search history.

- D612,226 S * 3/2010 Dinh D8/356
- D628,539 S * 12/2010 Tezak D13/152
- D628,566 S 12/2010 Molter
- D645,902 S 9/2011 Tsai
- D650,987 S 12/2011 Rothbauer
- (Continued)

FOREIGN PATENT DOCUMENTS

- GB 2433196 A * 6/2007 A47B 21/0073

OTHER PUBLICATIONS

VESA Mount Adapter Bracket for Samsung CF591, posted at amazon.com, posting date Mar. 30, 2017, [online], [site visited Mar. 27, 2018]. Available from Internet, URL: <https://www.amazon.com/Adapter-Bracket-Samsung-27-inch-LC27F591FDNXZA/dp/B06XXPJZH1/> (Year: 2017).*

(Continued)

Primary Examiner — George D. Kirschbaum
Assistant Examiner — Maria J Edwards
 (74) *Attorney, Agent, or Firm* — DLA Piper LLP US

(56) **References Cited**

U.S. PATENT DOCUMENTS

- D158,122 S 4/1949 Pennington
- 5,810,303 A * 9/1998 Bourassa H02G 3/126
174/58
- D442,469 S * 5/2001 Roozen D8/354
- 6,749,162 B2 * 6/2004 Nicolides H02G 3/105
248/231.9
- D504,701 S 5/2005 Chen
- D536,240 S * 2/2007 Vejmarker D8/354
- D557,126 S 12/2007 Worrall et al.
- D558,560 S 1/2008 Ciungan
- D560,221 S 1/2008 Hoglan et al.
- D560,222 S 1/2008 Anderson
- D560,674 S 1/2008 Wohlford et al.
- D565,938 S 4/2008 Massoumi et al.
- D576,633 S 9/2008 Muday et al.
- D560,677 S 11/2008 Wohlford et al.
- D587,100 S * 2/2009 Allsopp D8/356
- 7,544,889 B1 * 6/2009 Sanchez H02G 3/126
174/53

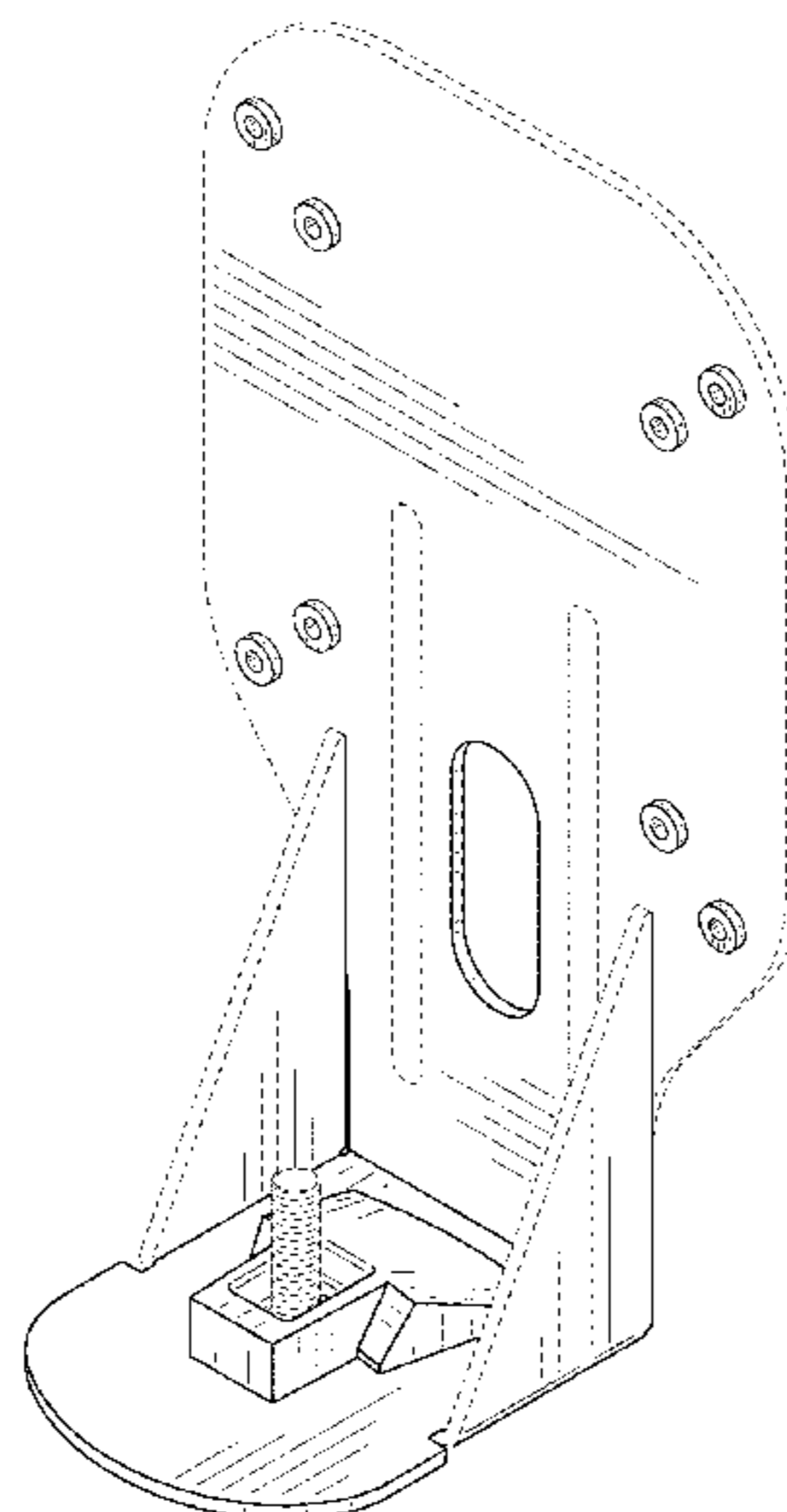
(57) **CLAIM**

The ornamental design for a VESA mount adapter bracket, as shown and described.

DESCRIPTION

FIG. 1 is a perspective view of a VESA mount adapter bracket showing my new design.
 FIG. 2 is a front view thereof;
 FIG. 3 is a back view thereof;
 FIG. 4 is a right side view thereof, the left side view being a mirror image of FIG. 4;
 FIG. 5 is a top view thereof; and,
 FIG. 6 is a bottom view thereof.
 The features shown in broken lines in the Figures form no part of the claimed design.

1 Claim, 4 Drawing Sheets



(56)

References Cited

OTHER PUBLICATIONS

U.S. PATENT DOCUMENTS

D652,411 S 1/2012 Crawford et al.
 D667,249 S 9/2012 London
 D667,288 S * 9/2012 Preda D8/354
 D677,263 S 3/2013 Luijben et al.
 D682,079 S * 5/2013 Chou D8/380
 D688,670 S 8/2013 Huang
 8,511,032 B2 * 8/2013 Abdel-Rahman E04B 2/88
 248/228.1

 D689,045 S 9/2013 Mardas
 RE44,515 E 10/2013 Ciungan et al.
 RE44,740 E 2/2014 Ciungan
 D729,611 S * 5/2015 Schmidt D8/349
 D743,955 S 11/2015 Wu
 D749,399 S * 2/2016 Jenkins D8/354
 D750,603 S * 3/2016 Venghaus D14/238
 D760,066 S * 6/2016 Krenek D8/354
 D761,236 S 7/2016 Wengreen
 D767,575 S 9/2016 Green
 D769,024 S 10/2016 Montoya
 D788,951 S * 6/2017 Lopez D25/199
 D789,565 S * 6/2017 Lopez D25/199
 D794,420 S * 8/2017 Emmons D8/349
 D794,424 S * 8/2017 Thompson D8/354
 D807,152 S * 1/2018 Hansen D8/354
 D810,091 S 2/2018 Cho
 D813,020 S 3/2018 DeDios-Shirley
 9,929,549 B2 * 3/2018 Witherbee H02G 3/125
 2012/0025046 A1 * 2/2012 Yen F16M 11/045
 248/298.1

 2015/0264823 A1 9/2015 Shirley

VESA Mount Adapter Bracket for Samsung Monitors, posted at amazon.com, posting date Oct. 26, 2015, [online], [site visited Mar. 27, 2018]. Available from Internet, URL: <https://www.amazon.com/Monitors-S27D390H-S24D390HL-S27D360H-S24D360HL/dp/B01771PV3K/> (Year: 2015).*

VESA Mount Adapter for Acer H2 Monitors, posted at amazon.com, posting date Mar. 22, 2016, [online], [site visited Mar. 27, 2018]. Available from Internet, URL: <https://www.amazon.com/Mount-Adapter-H277HU-H257HU-Monitors/dp/B01DAYRVG8/> (Year: 2016).*

VESA Mount Adapter for Asus MX Monitors, posted at amazon.com, posting date Feb. 3, 2016, [online], [site visited Mar. 27, 2018]. Available from Internet, URL: <https://www.amazon.com/Adapter-Monitors-MX239H-MX259H-MX279H/dp/B01BFWROZU/> (Year: 2016).*

VESA Mount Adapter for Asus VX-Series Monitors, posted at amazon.com, posting date Mar. 22, 2016, [online], [site visited Mar. 28, 2018]. Available from Internet, URL: <https://www.amazon.com/Adapter-SE2416HX-SE2717HX-SE2717H-SE2417HG/dp/B01DAYR3ZM/> (Year: 2016).*

U.S. Appl. No. 29/591,809.
 U.S. Appl. No. 29/594,376.
 U.S. Appl. No. 29/594,765.
 U.S. Appl. No. 29/594,429.
 U.S. Appl. No. 29/594,362.
 U.S. Appl. No. 29/599,976.
 U.S. Appl. No. 29/599,971.
 U.S. Appl. No. 29/614,613.
 U.S. Appl. No. 29/641,700.

* cited by examiner

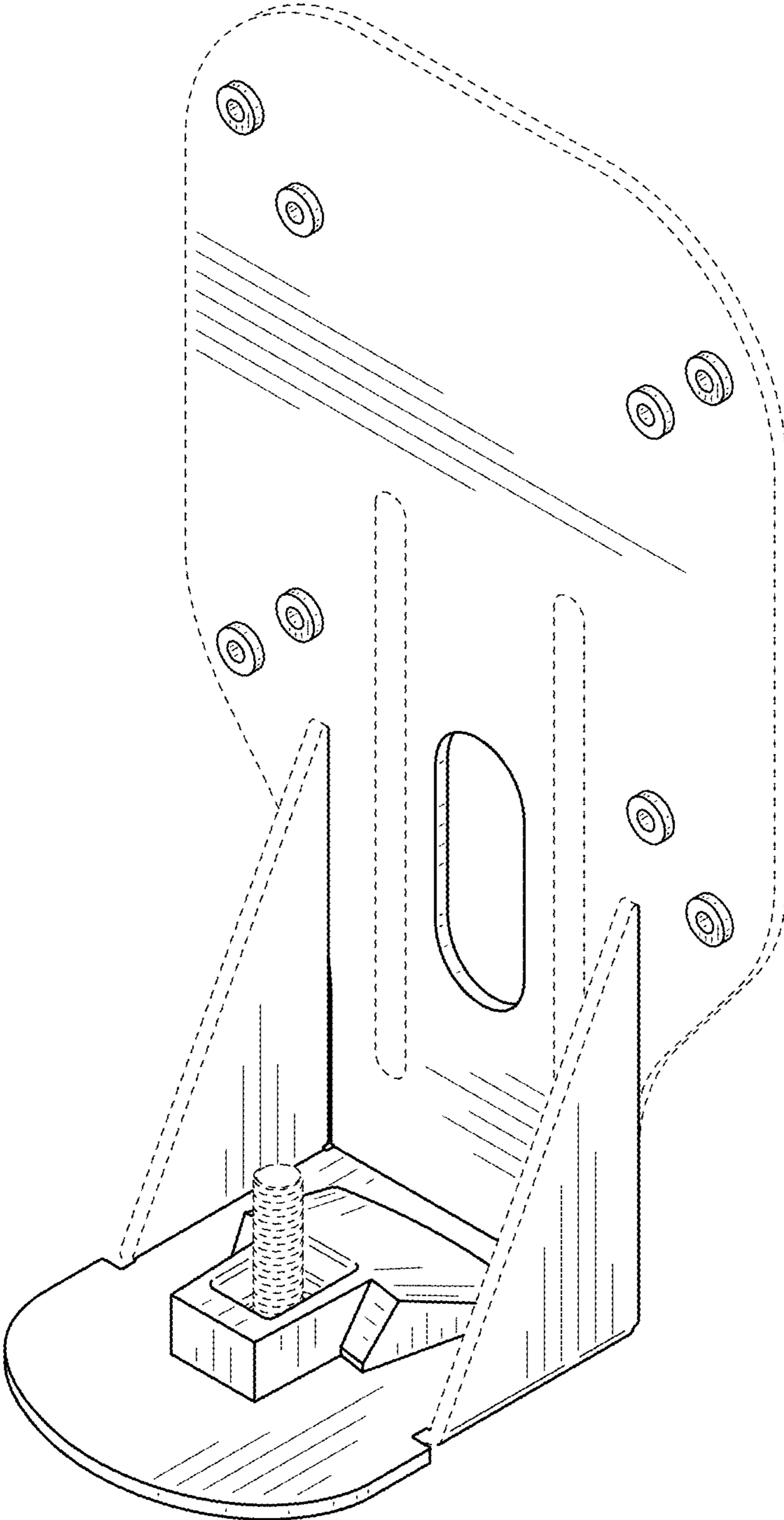


FIG. 1

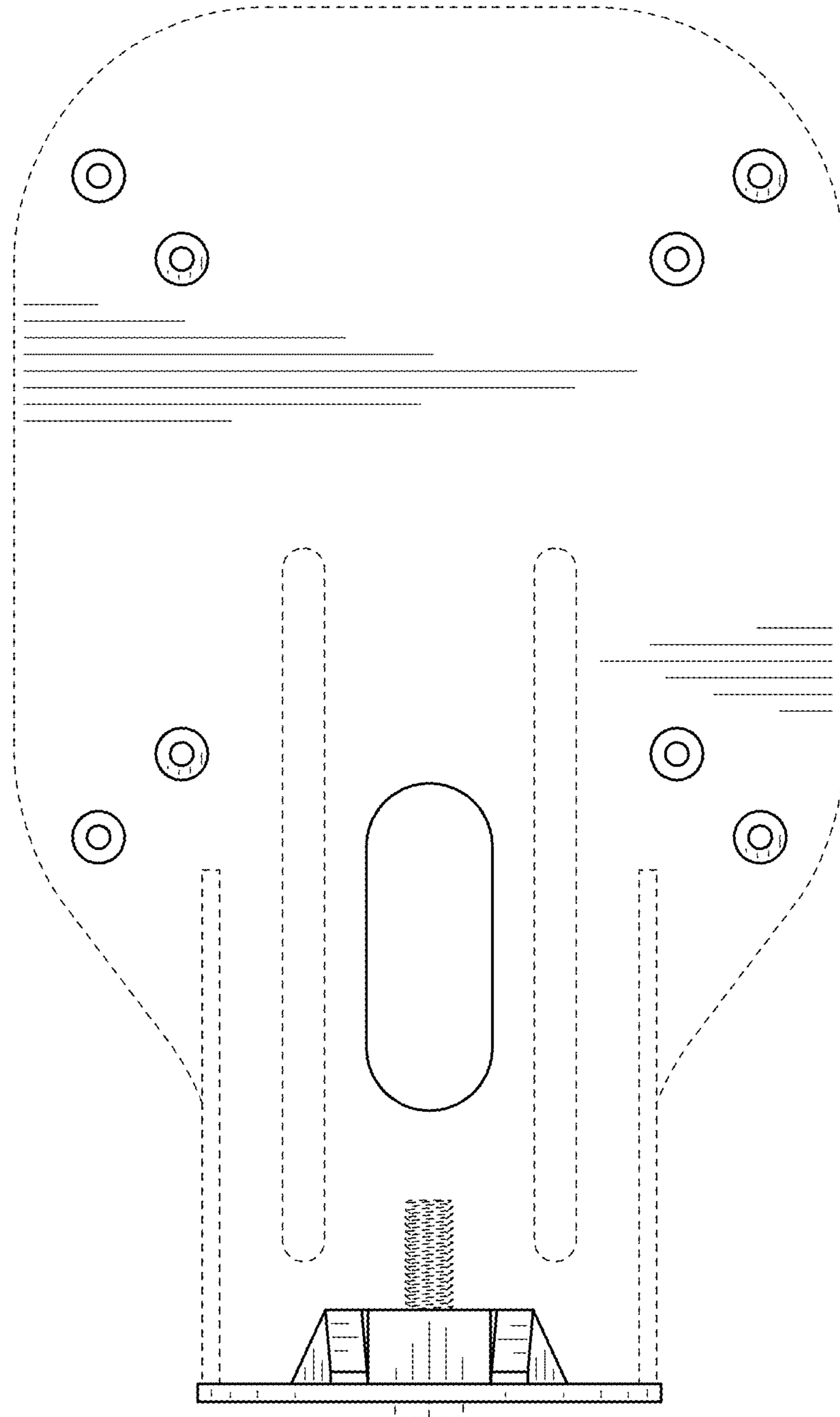


FIG. 2

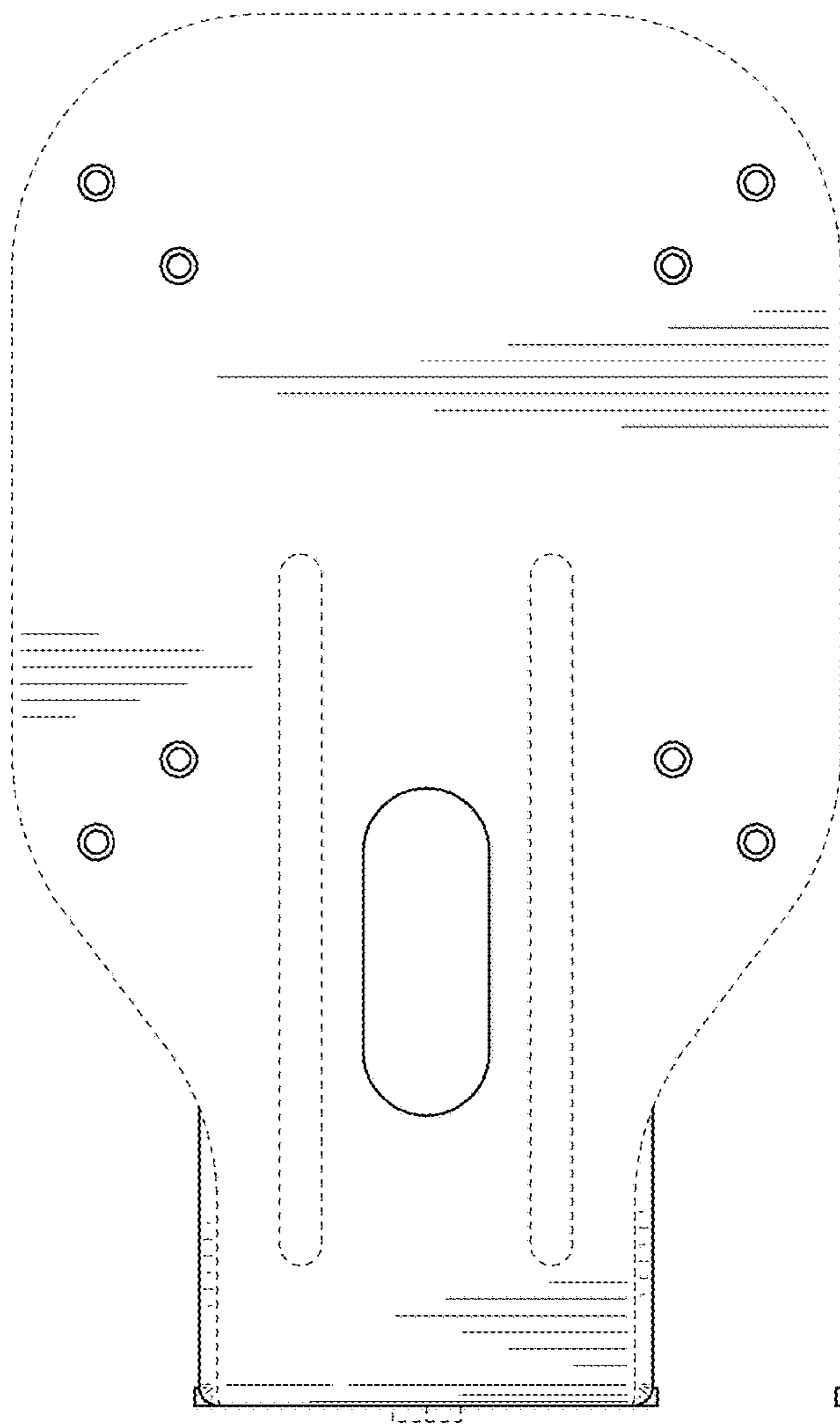


FIG. 3

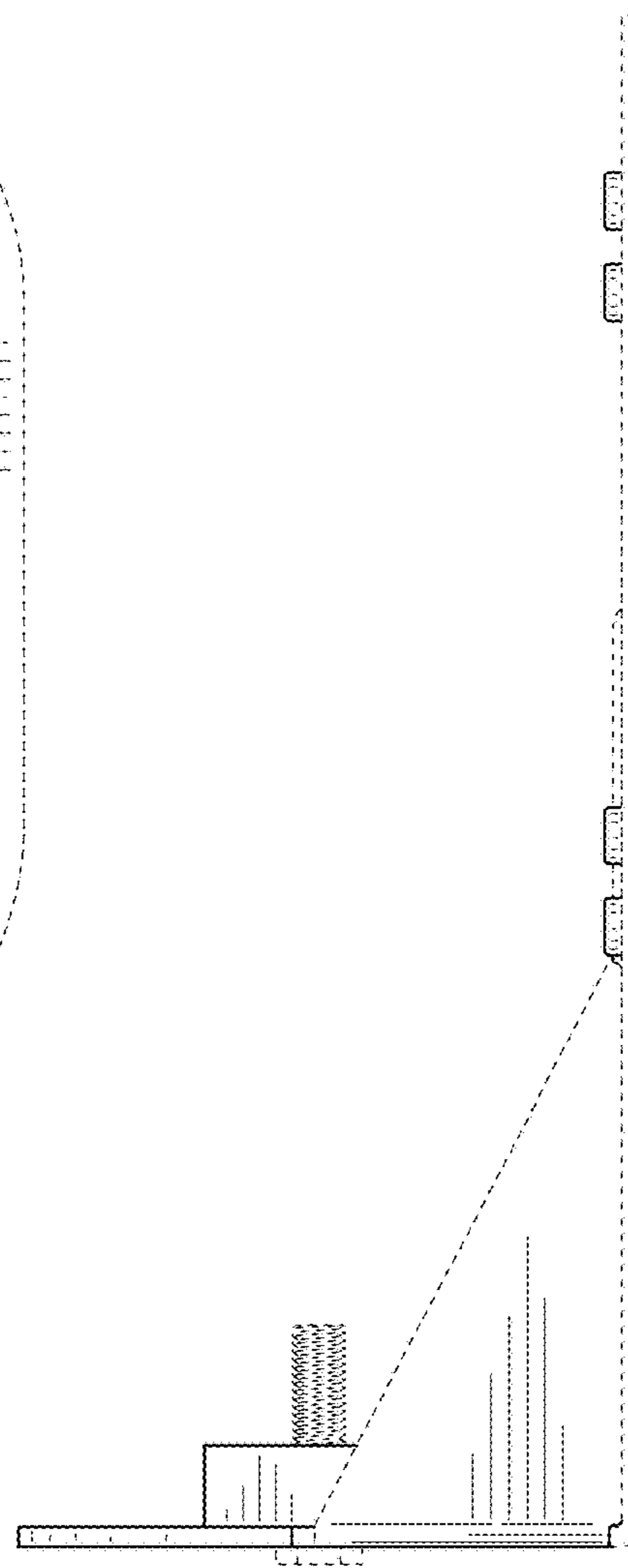


FIG. 4

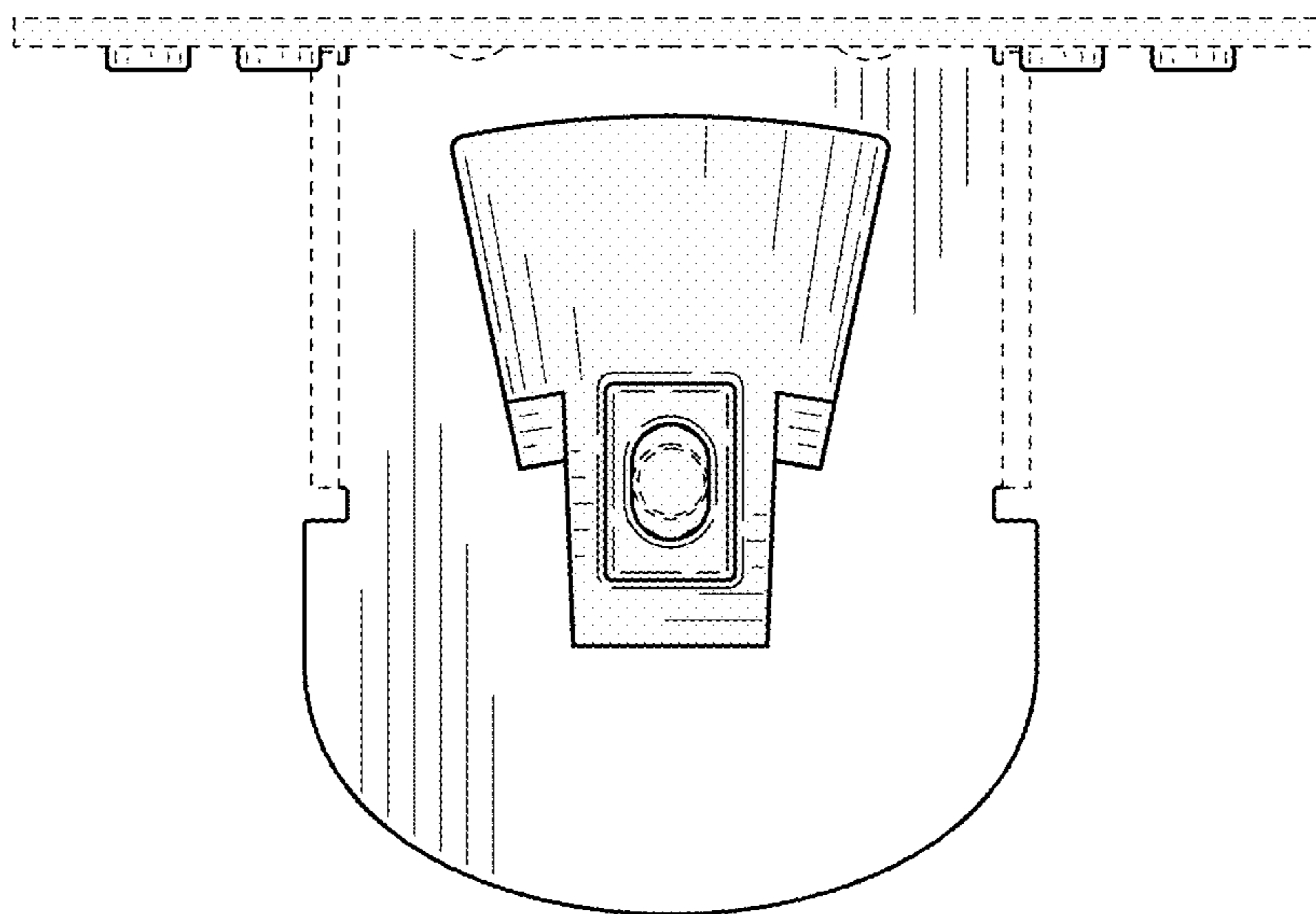


FIG. 5

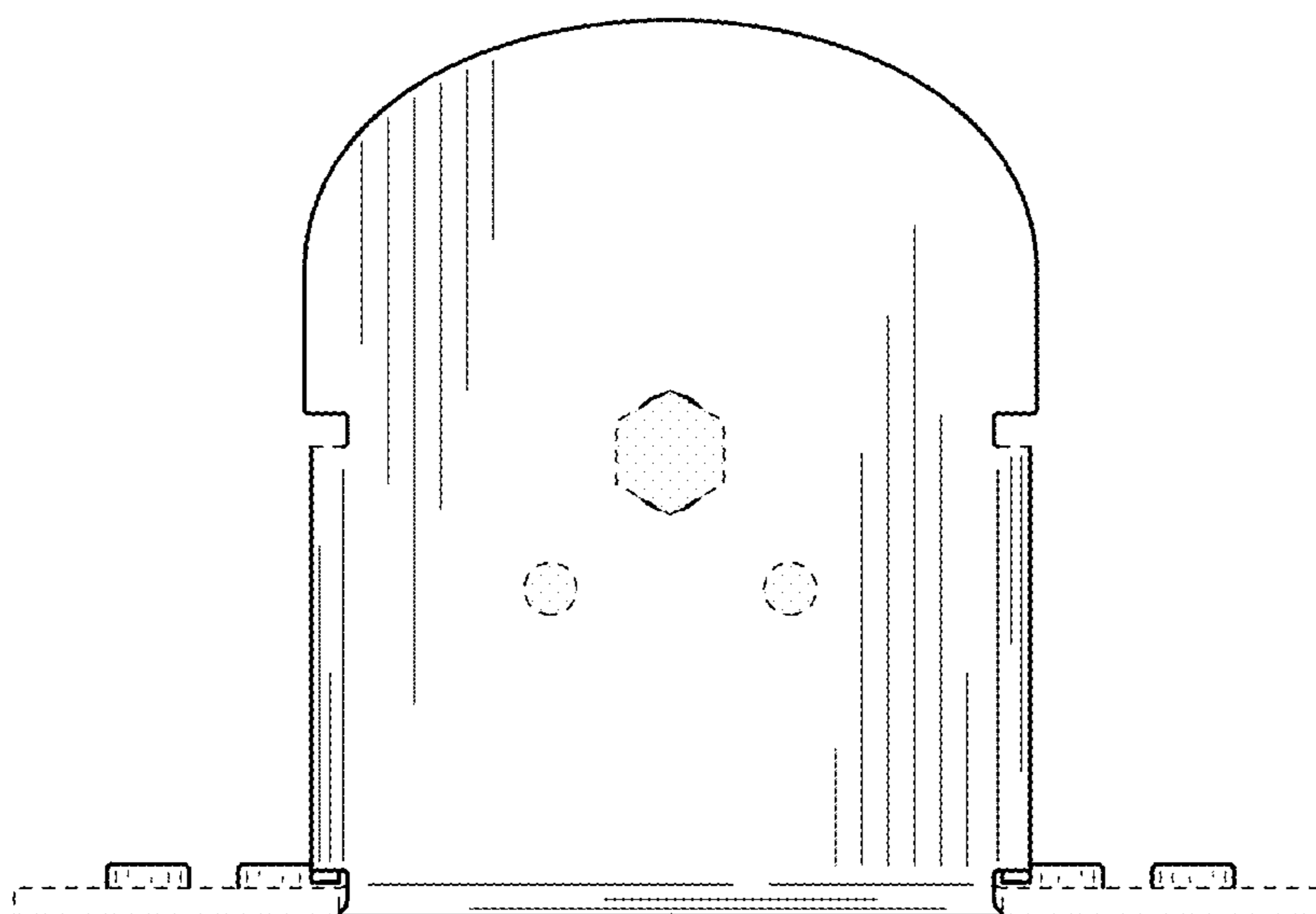


FIG. 6