



US00D833848S

(12) **United States Design Patent** (10) **Patent No.:** **US D833,848 S**
Davis (45) **Date of Patent:** **** Nov. 20, 2018**

(54) **UTILITY KNIFE BLADE WITH ATTACHED CAP**

(71) Applicant: **Raymond E. Davis**, Heath, TX (US)

(72) Inventor: **Raymond E. Davis**, Heath, TX (US)

(**) Term: **15 Years**

(21) Appl. No.: **29/600,515**

(22) Filed: **Apr. 13, 2017**

Related U.S. Application Data

(63) Continuation of application No. 15/478,216, filed on Apr. 3, 2017, which is a continuation of application No. 15/478,027, filed on Apr. 3, 2017.

(51) **LOC (11) Cl.** **08-03**

(52) **U.S. Cl.**
USPC **D8/98**

(58) **Field of Classification Search**
USPC D8/20, 98-99, 102, 104, 105, 107
CPC B43M 7/007; B26B 5/00; B26B 5/006;
B26B 3/04; B26B 3/08
See application file for complete search history.

(56) **References Cited**

U.S. PATENT DOCUMENTS

D527,604 S * 9/2006 Kempker D8/102
D649,001 S * 11/2011 Still D8/105
D660,674 S * 5/2012 Still D8/98
D660,675 S * 5/2012 Gringer D8/98
D714,611 S * 10/2014 Yu Chen D8/98

D767,966 S * 10/2016 Standlee D8/98
D784,107 S * 4/2017 Chen D8/98
D802,394 S * 11/2017 Yu Chen D8/98
D807,142 S * 1/2018 Hyma D8/98
D817,142 S * 5/2018 Rohrbach D8/98
D817,143 S * 5/2018 Rohrbach D8/98
2010/0263219 A1 * 10/2010 Kennpker B25F 1/02
30/337

* cited by examiner

Primary Examiner — Philip S Hyder

(74) *Attorney, Agent, or Firm* — Baker Law Firm

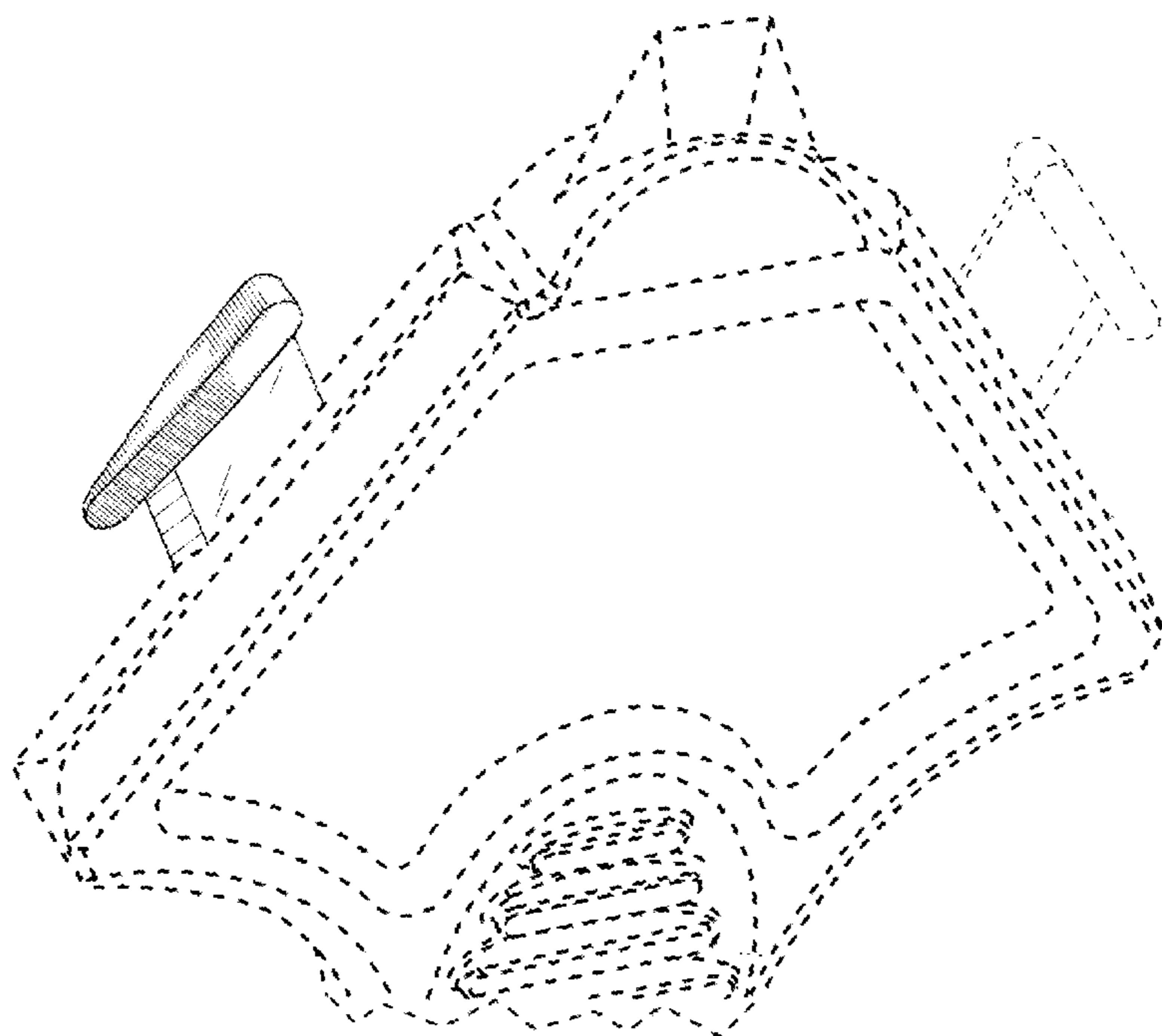
(57) **CLAIM**

The ornamental design for a utility knife blade with attached cap, as shown and described.

DESCRIPTION

FIG. 1 is a side elevation view of a utility knife blade with attached cap showing my new design, wherein the opposite side is a mirror image thereof;
FIG. 2 is a top plan view thereof;
FIG. 3 is a rear side elevation thereof;
FIG. 4 is a front side elevation thereof;
FIG. 5 is a front to back perspective view thereof;
FIG. 6 is a back to front perspective view thereof;
FIG. 7 is a perspective view thereof, in an environment setting where the blade is mounted to a handle; and,
FIG. 8 is a greatly enlarged detail view thereof.
The broken line portions of the drawings are provide for purposes of environment and form no part of the claimed design.

1 Claim, 4 Drawing Sheets



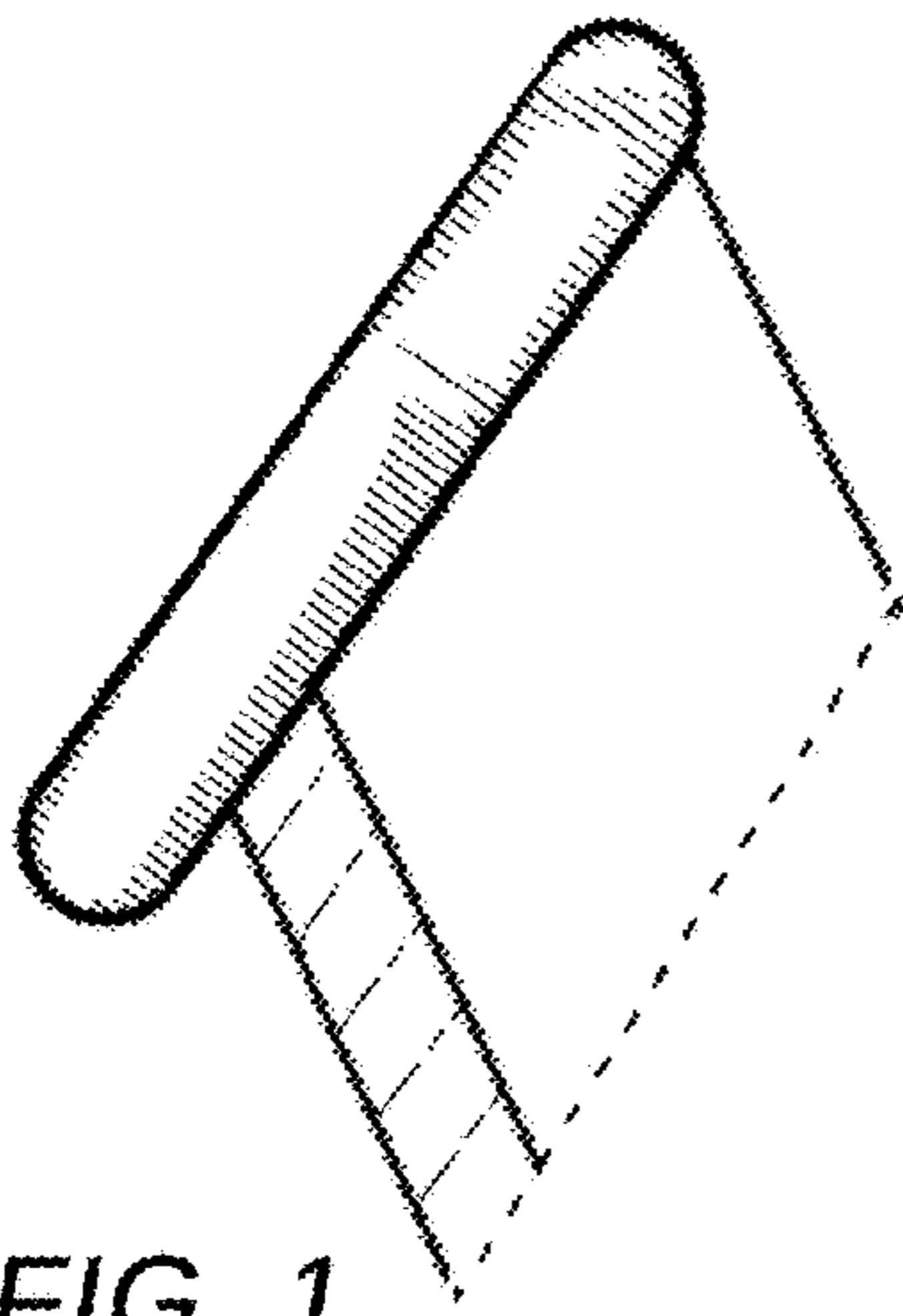


FIG. 1

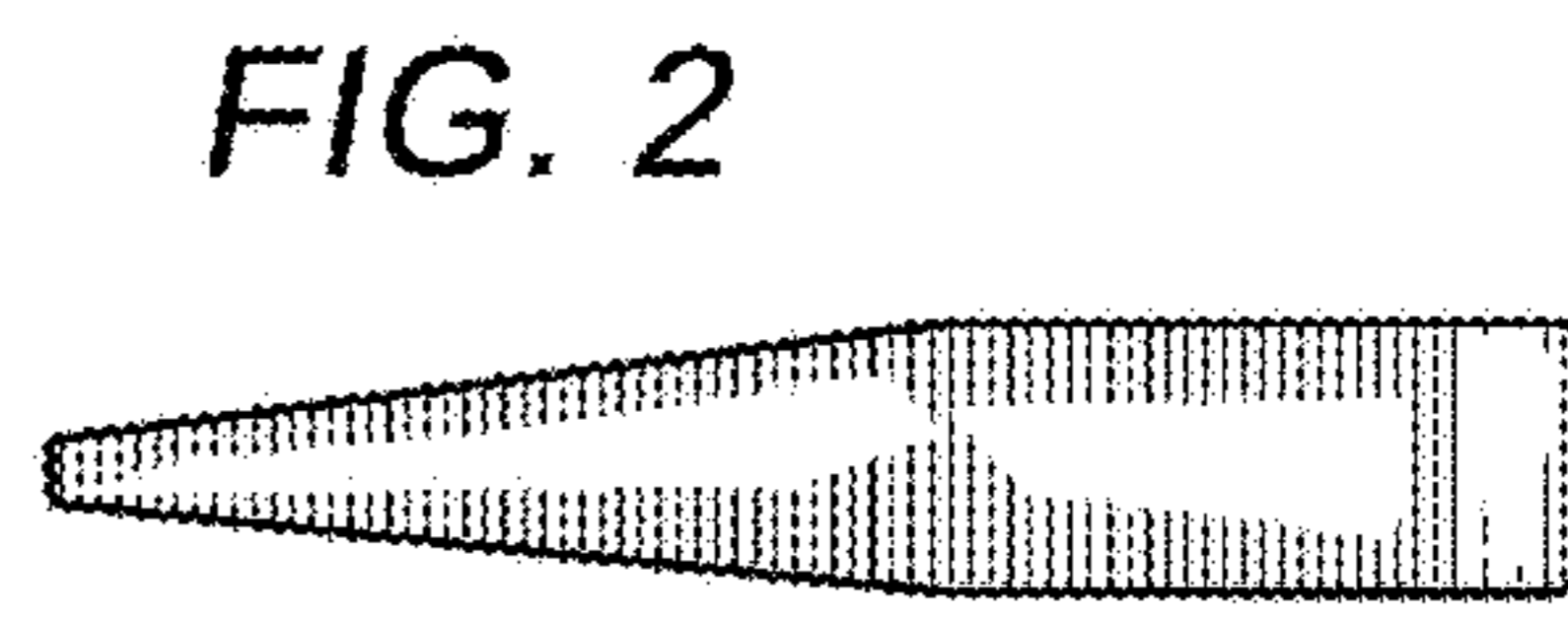


FIG. 2

FIG. 3

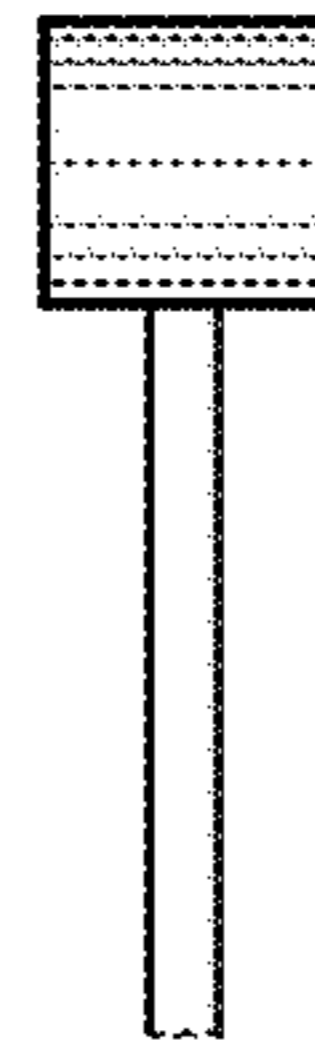
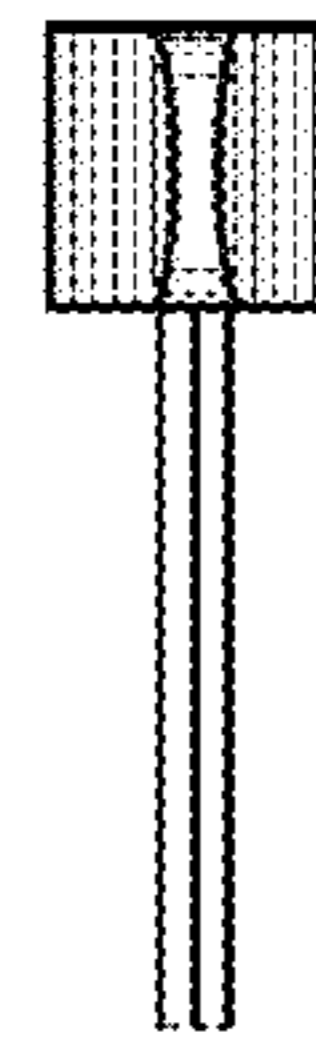


FIG. 4



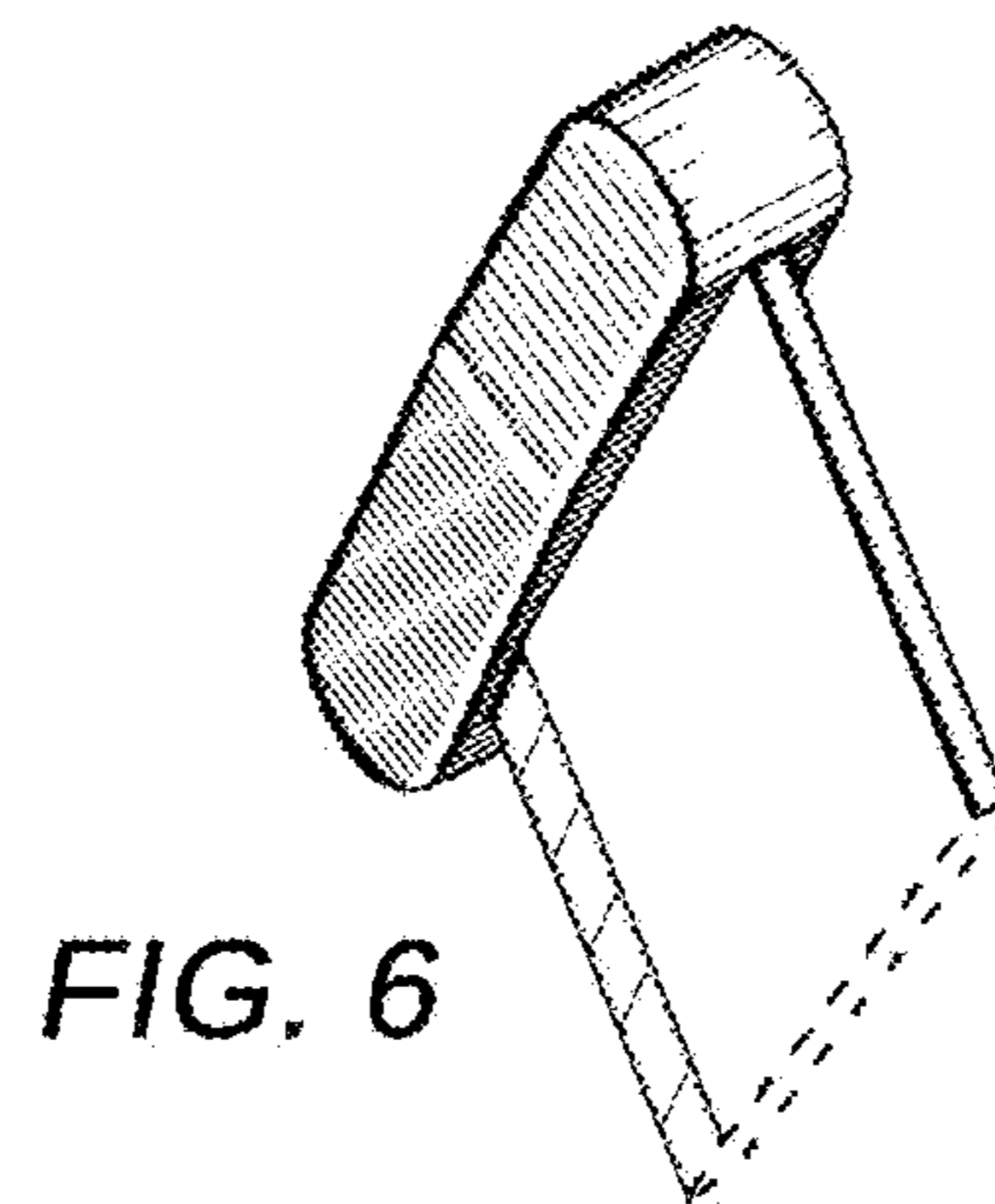
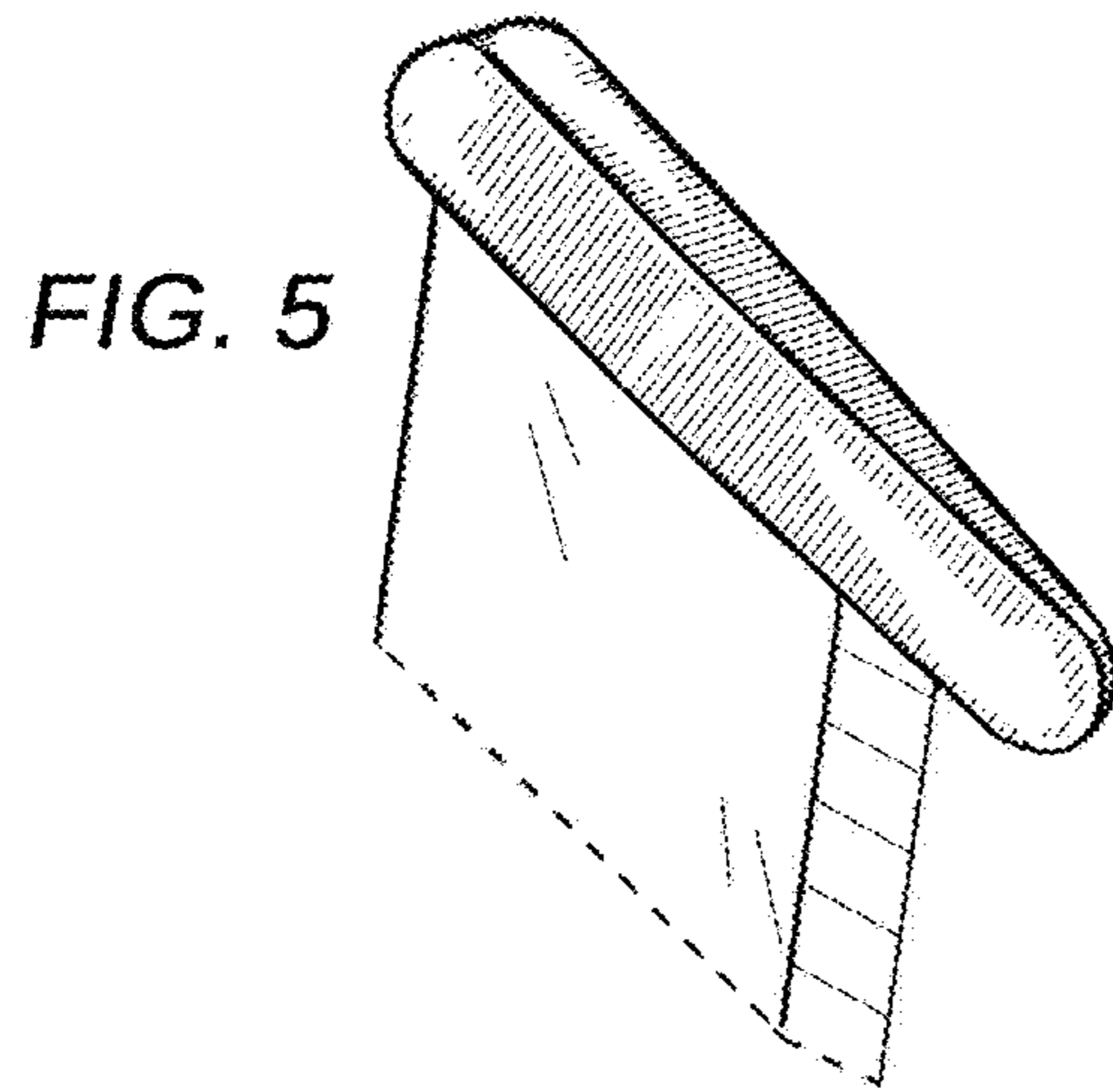


FIG. 7

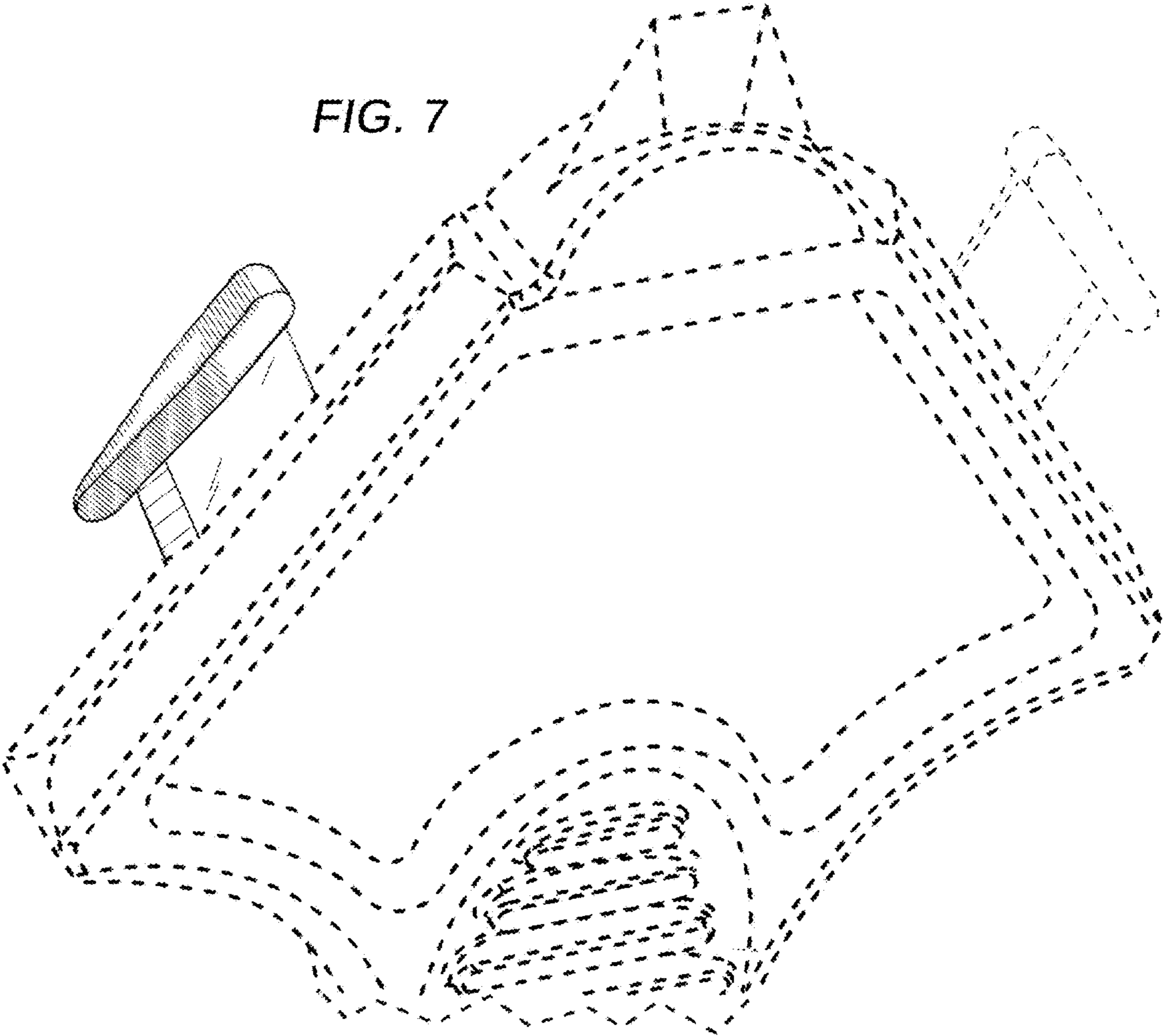


FIG. 8

