



US00D833847S

(12) **United States Design Patent** (10) **Patent No.:** **US D833,847 S**  
**Gabaldon** (45) **Date of Patent:** **\*\* Nov. 20, 2018**

(54) **DRYWALL TOOL HOLDER**

(71) Applicant: **Richard Gabaldon**, Phoenix, AZ (US)

(72) Inventor: **Richard Gabaldon**, Phoenix, AZ (US)

(\*\*) Term: **15 Years**

(21) Appl. No.: **29/600,014**

(22) Filed: **Apr. 8, 2017**

(51) **LOC (11) Cl.** ..... **08-05**

(52) **U.S. Cl.**  
USPC ..... **D8/71**

(58) **Field of Classification Search**

USPC ..... D8/8, 10, 47, 80, 83, 105, 107, 303;  
D7/504; D15/17; D34/19, 20, 21  
CPC .... B25G 1/08; B25G 1/10; B62B 1/10; B62B  
1/264; B62B 1/14; A45F 2200/0575;  
B25B 13/54; B25F 5/027; F16G 13/16;  
F16L 33/02; F16L 33/22; F16L 35/00  
See application file for complete search history.

(56) **References Cited**

**U.S. PATENT DOCUMENTS**

2,399,522	A	4/1946	Tyson	
2,650,008	A	4/1953	Morseth	
D224,084	S *	7/1972	Gaffney	D8/371
4,826,059	A	5/1989	Bosch et al.	
D329,372	S *	9/1992	Wilms	D8/363
5,248,072	A *	9/1993	Jones	A45F 5/14 224/247
D350,671	S *	9/1994	Asner	D7/504
5,826,762	A	10/1998	Dellinger	
D436,841	S *	1/2001	Carpenter	D8/373
D442,076	S *	5/2001	Swanson	D8/373
D455,056	S *	4/2002	Niederer	D8/16
6,382,482	B1	5/2002	Chao	
6,457,252	B1	10/2002	Kershner	
6,571,997	B2	6/2003	Dedrick	
6,604,659	B1	8/2003	Graves	
D705,542	S *	5/2014	Holt	D3/318

(Continued)

**OTHER PUBLICATIONS**

50pcs Picture Frame Back Board Photo Wall Artwork Sawtooth S  
Clip Over Hanger Hook for 2-4mm Board, posted Jan. 24, 2018,  
[retrieved Jun. 21, 2018]. Retrieved from Internet, <URL: https://  
www.aliexpress.com/item/50pcs-Picture-Frame-Back-Board-Photo-  
Wall-Artwork-Sawtooth-S-Clip-Over-Hanger-Hook-For-2/  
32331160833.html >.\*

(Continued)

*Primary Examiner* — Barbara Fox

*Assistant Examiner* — Kristin E Reed

(74) *Attorney, Agent, or Firm* — Mark V. Loen

(57) **CLAIM**

The ornamental design for a drywall tool holder, as shown  
and described.

**DESCRIPTION**

FIG. 1 is a front view of a drywall tool holder showing my  
new design;

FIG. 2 is a right side view thereof, the left side view being  
a mirror image;

FIG. 3 is a top view thereof;

FIG. 4 is a bottom view thereof;

FIG. 5 is a back view thereof;

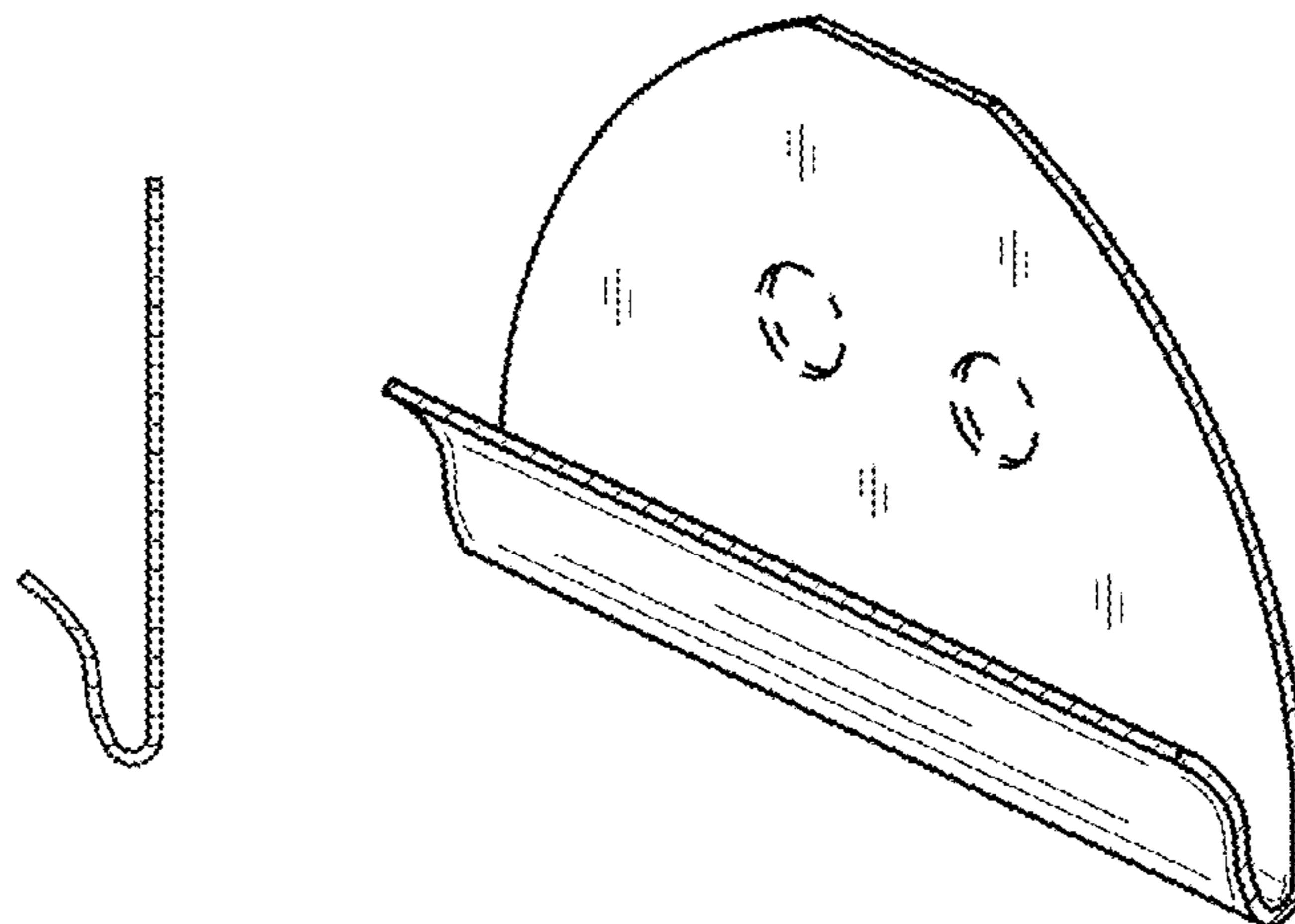
FIG. 6 is an isometric view thereof;

FIG. 7 is an isometric view thereof with a hammer holder  
and a drywall tape tool drawn in broken lines showing the  
drywall tool holder in a condition of use; and,

FIG. 8 is another isometric view of FIG. 7 showing the  
hammer holder, the drywall tape tool, and a belt clip drawn  
in broken lines showing the drywall tool holder in the  
condition of use.

The broken lines shown in FIGS. 1, 5, and 6 depict portions  
of drywall tool holder. The remaining broken lines shown in  
FIGS. 7 and 8 are provided to show the environment. The  
broken lines form no part of the claimed design.

**1 Claim, 4 Drawing Sheets**



(56)

**References Cited**

## U.S. PATENT DOCUMENTS

D763,665	S *	8/2016	Hallare	.....	D8/356
9,429,269	B2 *	8/2016	Wilhelm	.....	F16B 2/08
D769,107	S *	10/2016	McLaren Hall	.....	D8/373
9,463,662	B1 *	10/2016	Sotolongo	.....	B44D 3/126
D815,936	S *	4/2018	Naslund	.....	D8/356
2003/0230615	A1	12/2003	Jones		
2005/0204691	A1	9/2005	Elar		
2005/0247585	A1	11/2005	Breckwoldt		
2005/0258203	A1	11/2005	Weaver		
2012/0067906	A1	5/2012	Szasz		
2012/0104057	A1	5/2012	Gerrior		

## OTHER PUBLICATIONS

Picture Hangers 10 to 100 Lb Hangers 12 Pack, Part Number Picture Hangers, posted unknown, [retrieved Jun. 21, 2018]. Retrieved from Internet, <URL: [http://www.hsfinishingllc.com/Picture-Hangers-10-TO-100-LB-HANGERS-12-PACK\\_p\\_98.html](http://www.hsfinishingllc.com/Picture-Hangers-10-TO-100-LB-HANGERS-12-PACK_p_98.html) >.\*

6pcs Large Self Adhesive Wall Hooks Hangers, posted Feb. 23, 2010, [retrieved Jun. 21, 2018]. Retrieved from Internet, <URL: <https://www.aliexpress.com/item/50pcs-Picture-Frame-Back-Board-Photo-Wall-Artwork-Sawtooth-S-Clip-Over-Hanger-Hook-For-2/32331160833.html> <https://www.amazon.com/6pcs-Large-Adhesive-Hooks-Hangers> >.\*

Santo Alessi Black Taco Holder 2-slot, CSA27, posted unknown, [retrieved Jun. 21, 2018]. Retrieved from Internet, <URL: <https://www.southernhospitality.co.nz/santo-alessi-black-taco-holder-2-slot-12x6x14cm.html> >.\*

\* cited by examiner

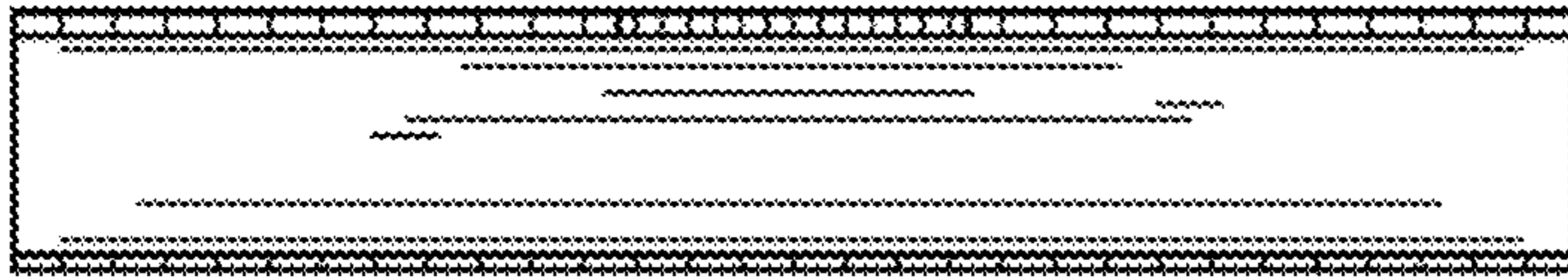


FIG. 3

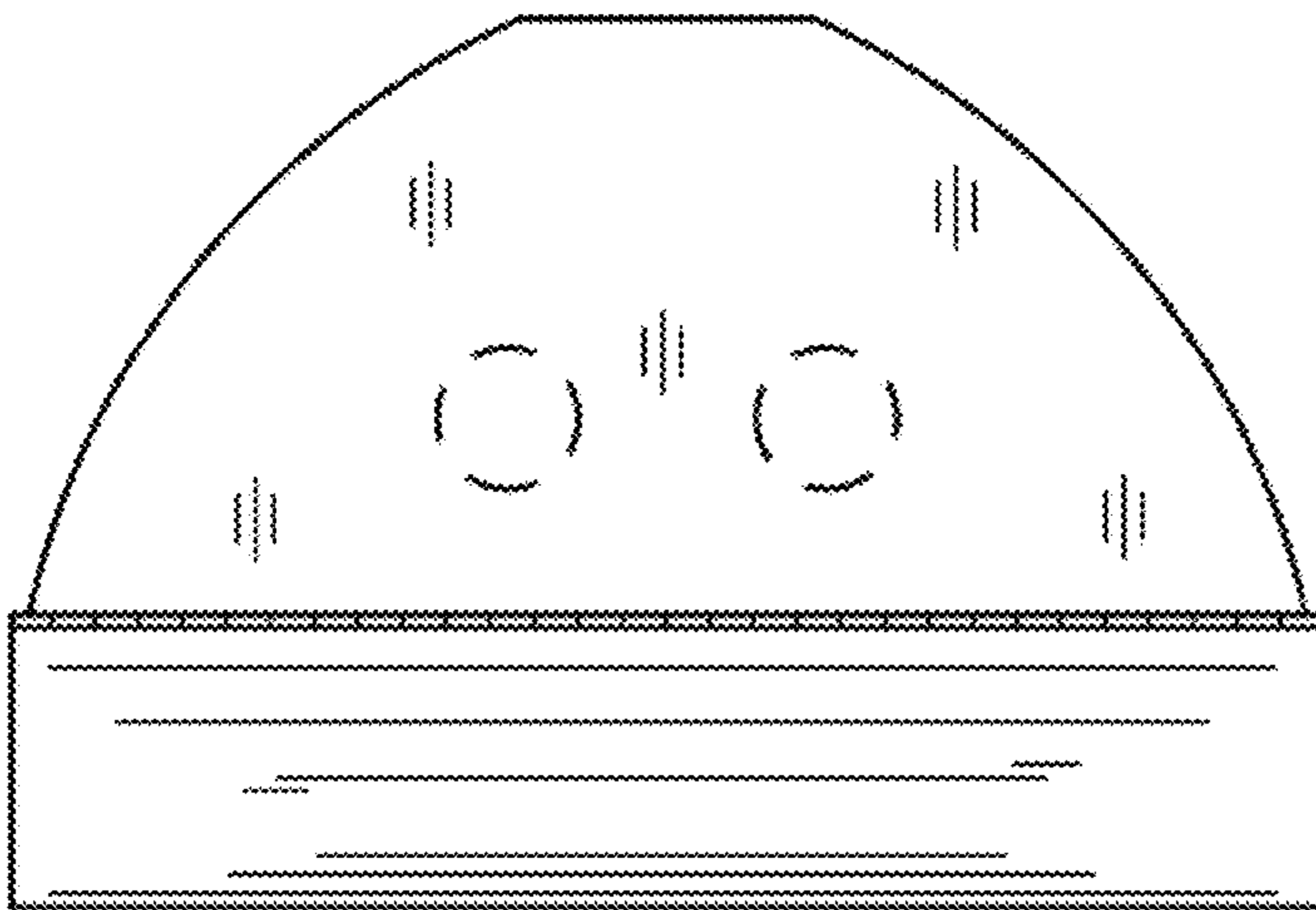


FIG. 1

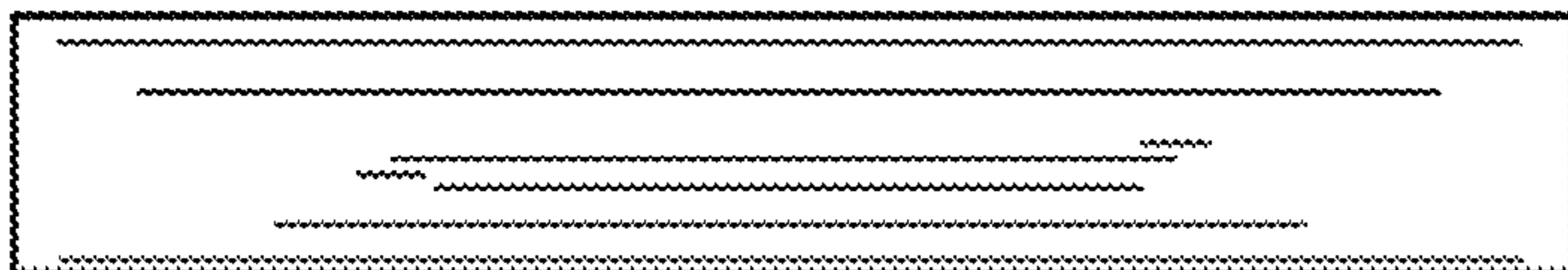


FIG. 4



FIG. 2

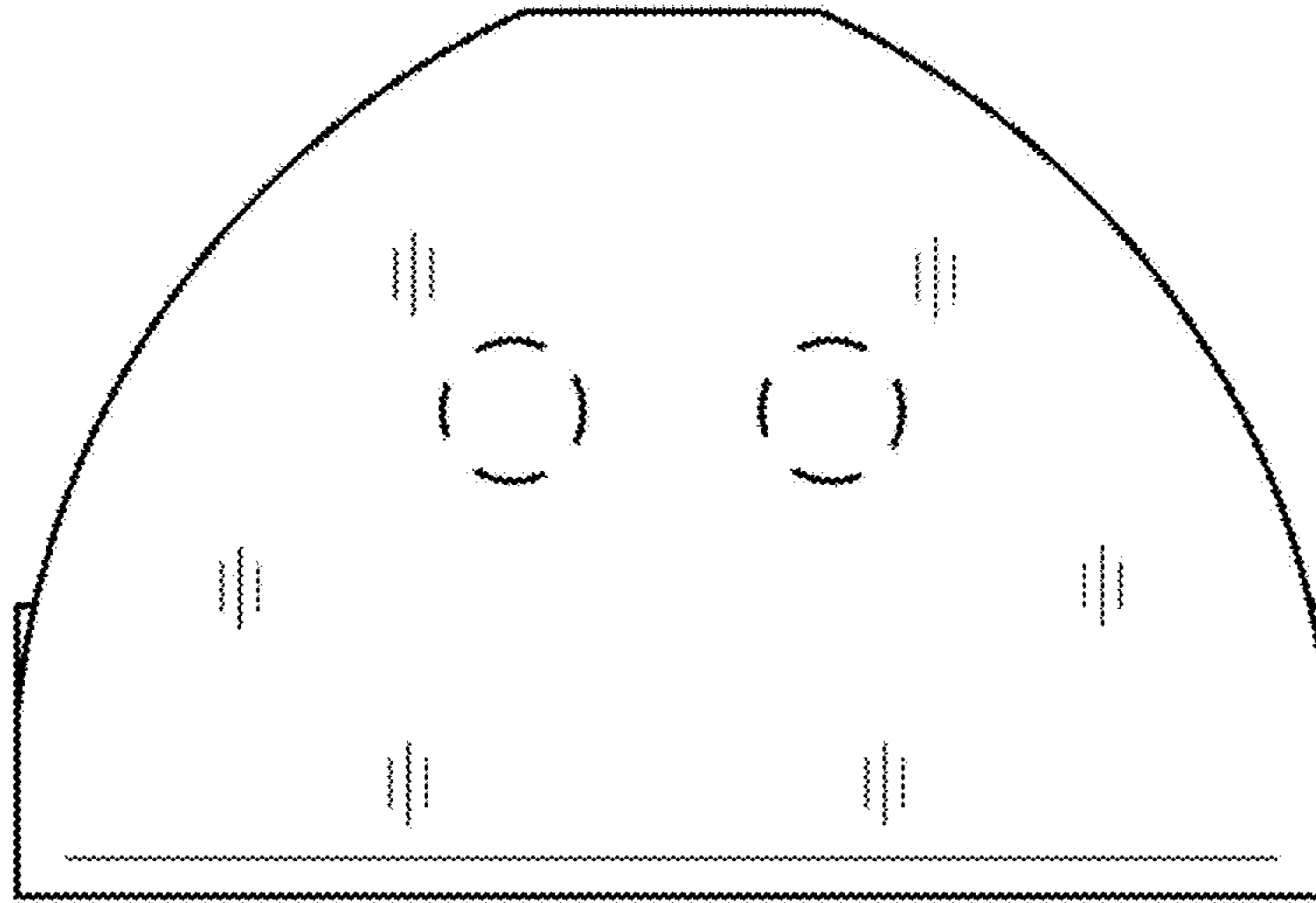


FIG. 5

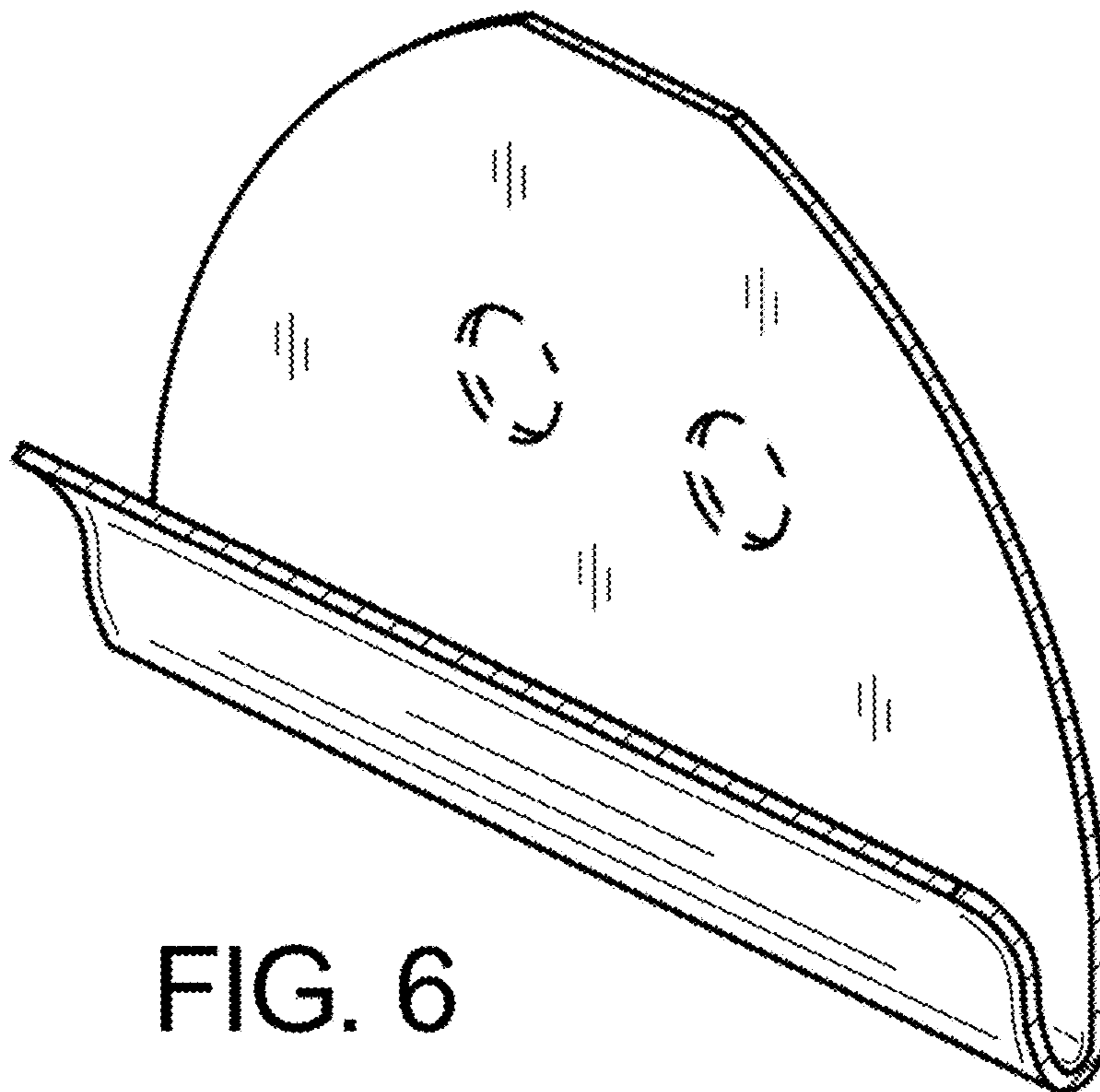
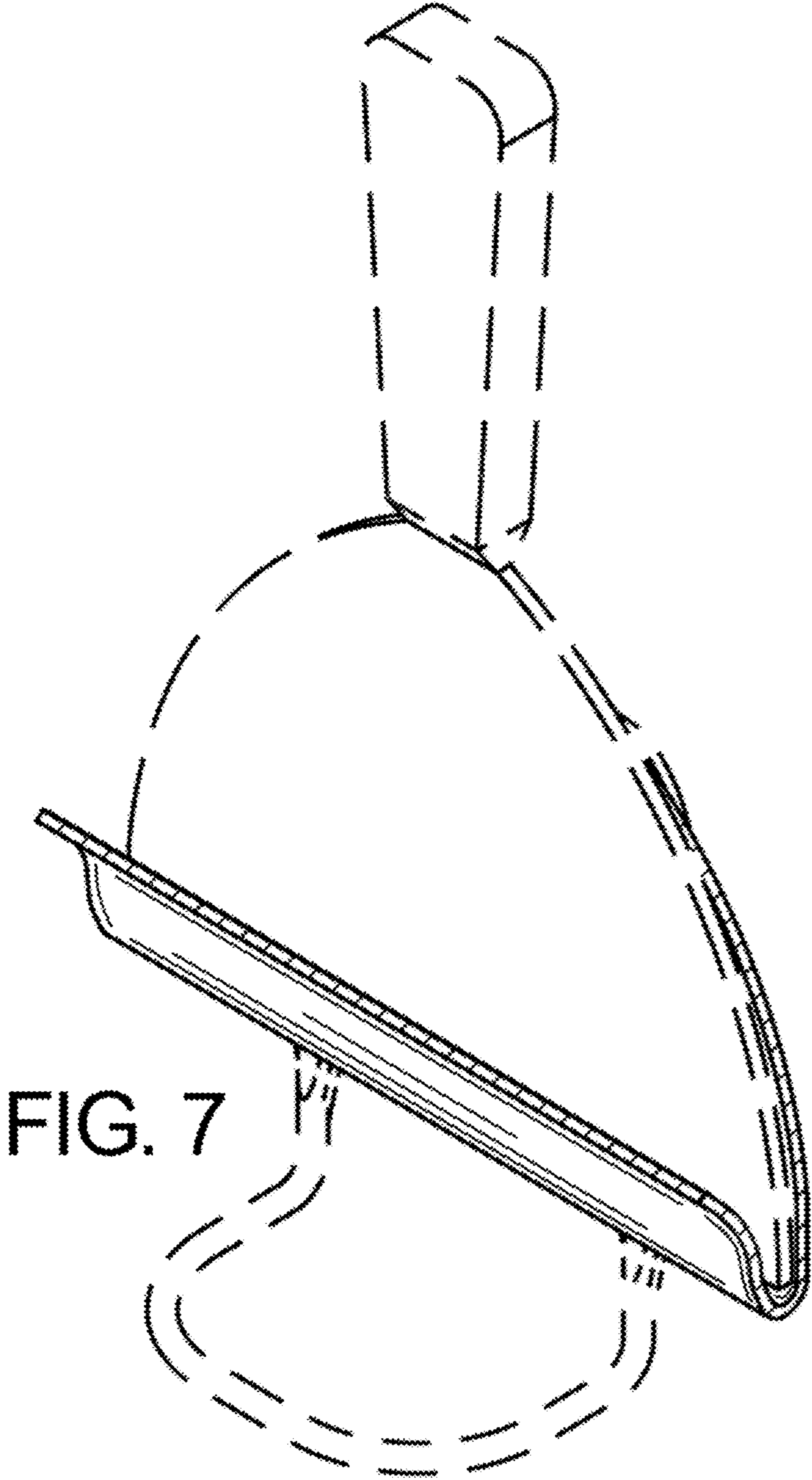


FIG. 6





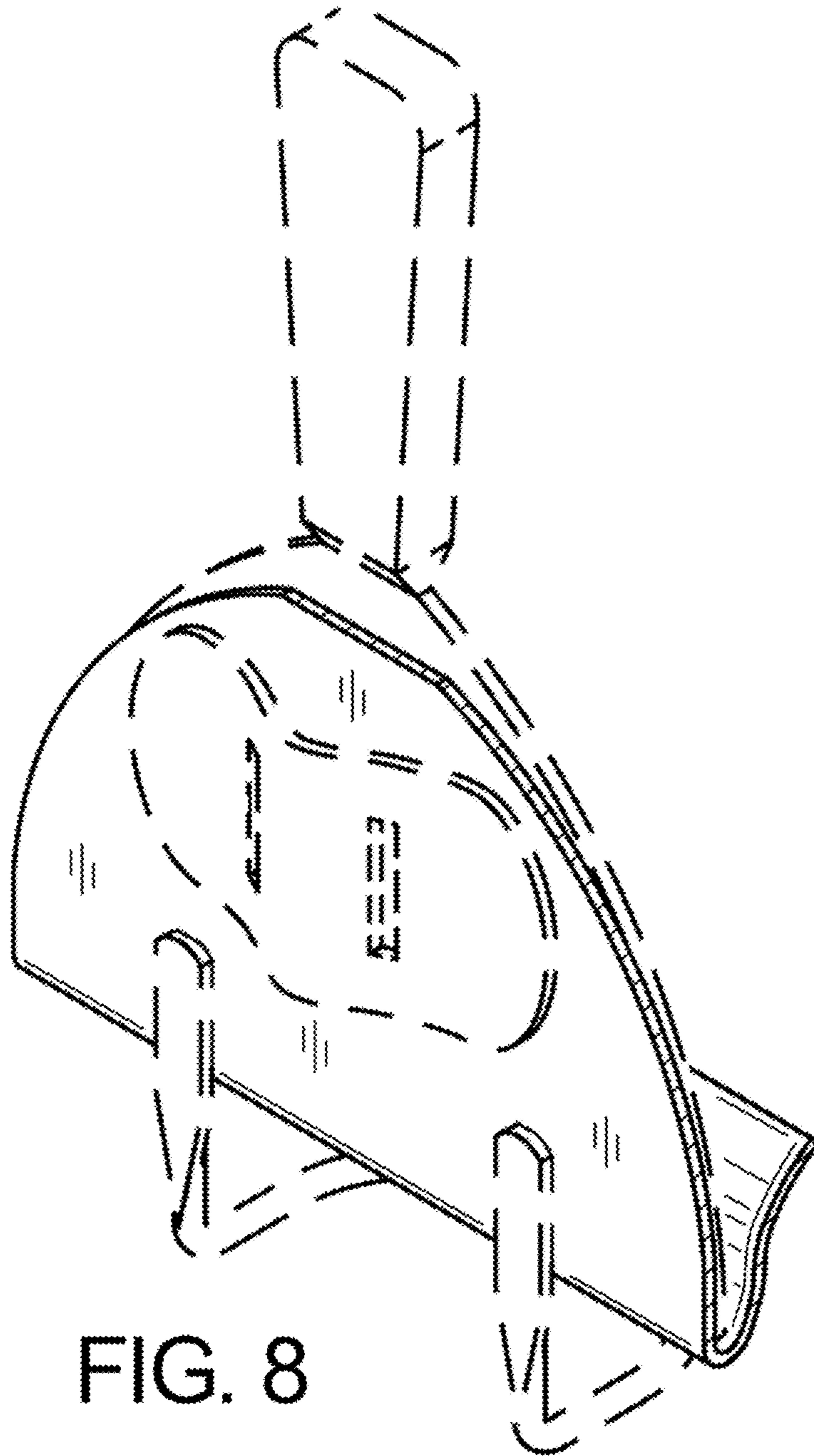


FIG. 8