



US00D833846S

(12) **United States Design Patent**
Mori

(10) **Patent No.:** **US D833,846 S**

(45) **Date of Patent:** **** Nov. 20, 2018**

(54) **BLIND RIVET FASTENING DEVICE**

6,732,563 B1 * 5/2004 Chen B21J 15/105
29/243.523

(71) Applicant: **NEWFREY LLC**, New Britain, CT
(US)

6,978,526 B1 * 12/2005 Lin B21J 15/105
29/243.523

(72) Inventor: **Daisuke Mori**, Toyohashi (JP)

D515,377 S * 2/2006 Chung D8/68

D521,339 S * 5/2006 Chen D8/68

D521,340 S * 5/2006 Lin D8/68

7,082,657 B1 * 8/2006 Lin B21J 15/043

29/243.523

(73) Assignee: **NEWFREY LLC**, New Britain, CT
(US)

7,284,404 B2 * 10/2007 Lin B25B 27/0014
29/243.525

(**) Term: **15 Years**

7,818,858 B2 * 10/2010 Daniels F16G 3/16
198/844.2

(21) Appl. No.: **29/601,349**

D681,413 S * 5/2013 Kita D8/61

8,443,512 B2 * 5/2013 Masugata B21J 15/043
29/243.521

(22) Filed: **Apr. 21, 2017**

* cited by examiner

(30) **Foreign Application Priority Data**

Nov. 7, 2016 (JP) 2016-24184

(51) **LOC (11) Cl.** **08-05**

(52) **U.S. Cl.**
USPC **D8/68**

(58) **Field of Classification Search**
USPC D8/61, 67, 68
CPC . B21J 15/043; B21J 15/22; B21J 15/36; B21J
15/326
See application file for complete search history.

Primary Examiner — Darlington Ly

(74) *Attorney, Agent, or Firm* — Kofi A. Schulterbrandt;
Michael P. Leary

(57) **CLAIM**

The ornamental design for a blind rivet fastening device, as shown and described.

DESCRIPTION

FIG. 1 is a top, front, and left side perspective view of a blind rivet fastening device showing my new design; FIG. 2 is a left side elevation view thereof; FIG. 3 is a right side elevation view thereof; FIG. 4 is a front elevation view thereof; FIG. 5 is a rear elevation view thereof; FIG. 6 is a top plan view thereof; and, FIG. 7 is a bottom plan view thereof.

The broken lines in the drawings illustrate portions of the blind rivet fastening device that form no part of the claimed design.

1 Claim, 5 Drawing Sheets

(56) **References Cited**

U.S. PATENT DOCUMENTS

D198,230 S * 5/1964 Babel D8/68

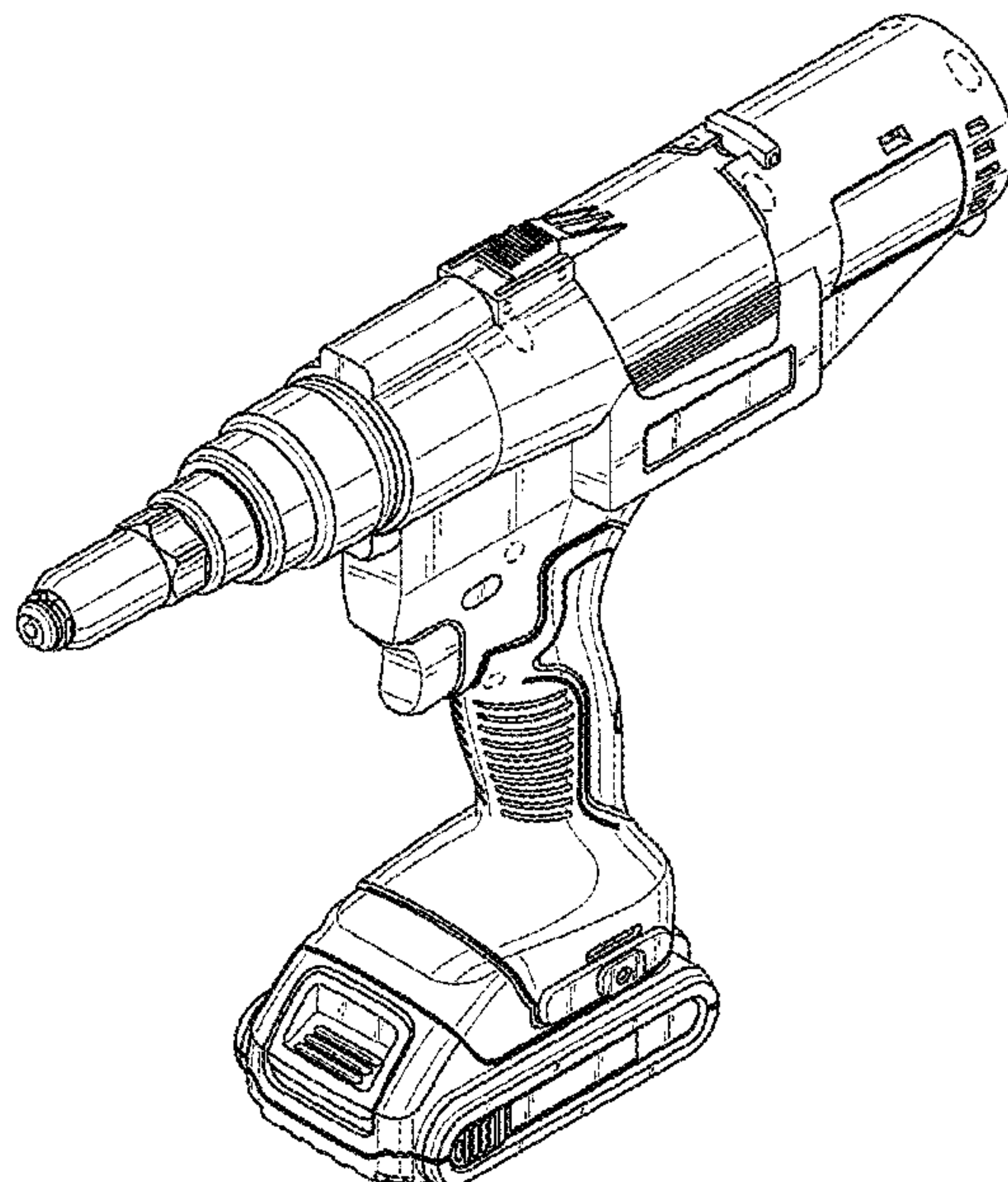
D256,658 S * 9/1980 Ewig D8/61

4,571,976 A * 2/1986 Schwab B25B 27/0014
72/114

5,100,023 A * 3/1992 Varian B21J 15/105
221/239

6,276,037 B1 * 8/2001 Solfronk B21J 15/105
29/243.525

D462,883 S * 9/2002 Steiner D8/68



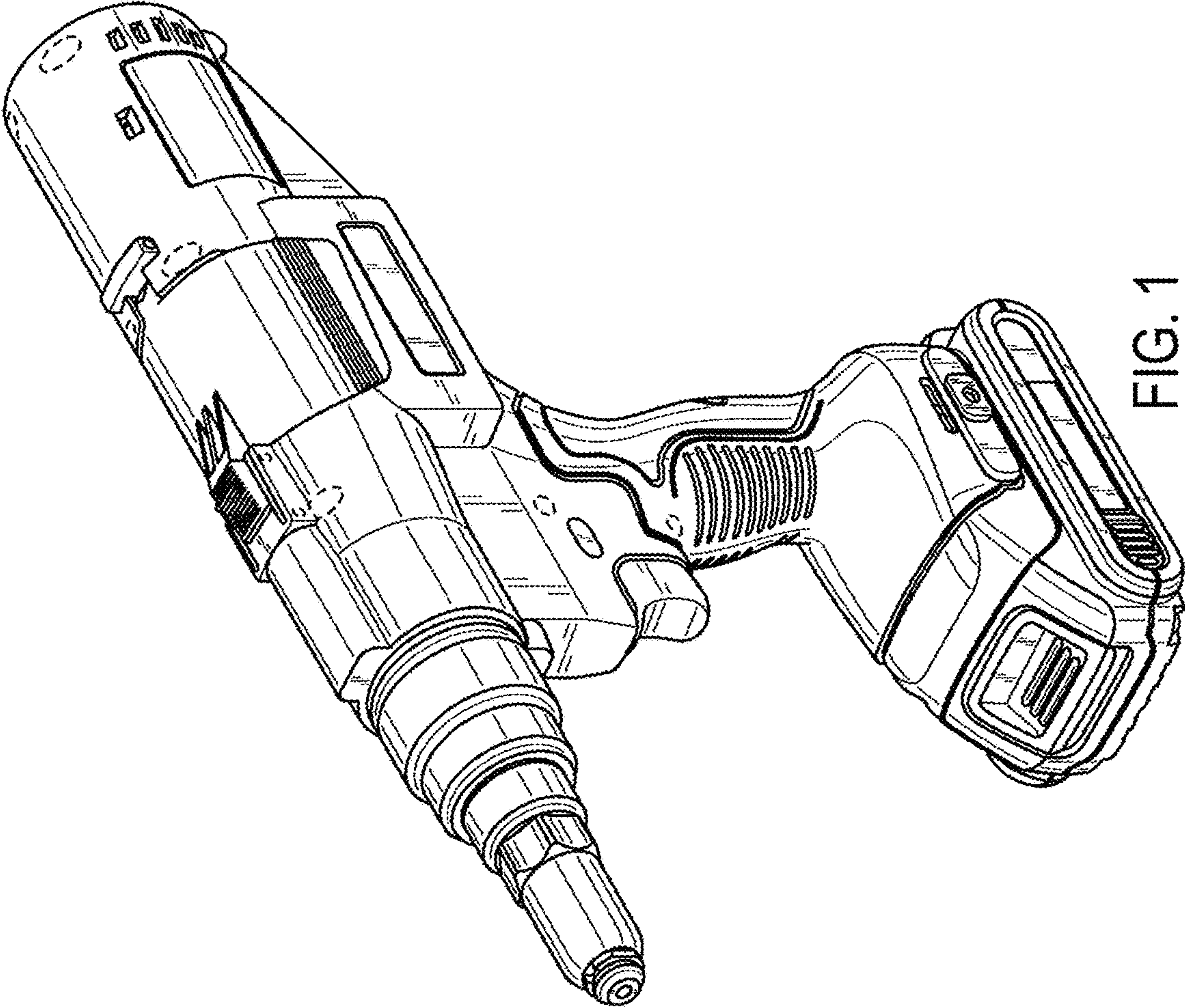


FIG. 1

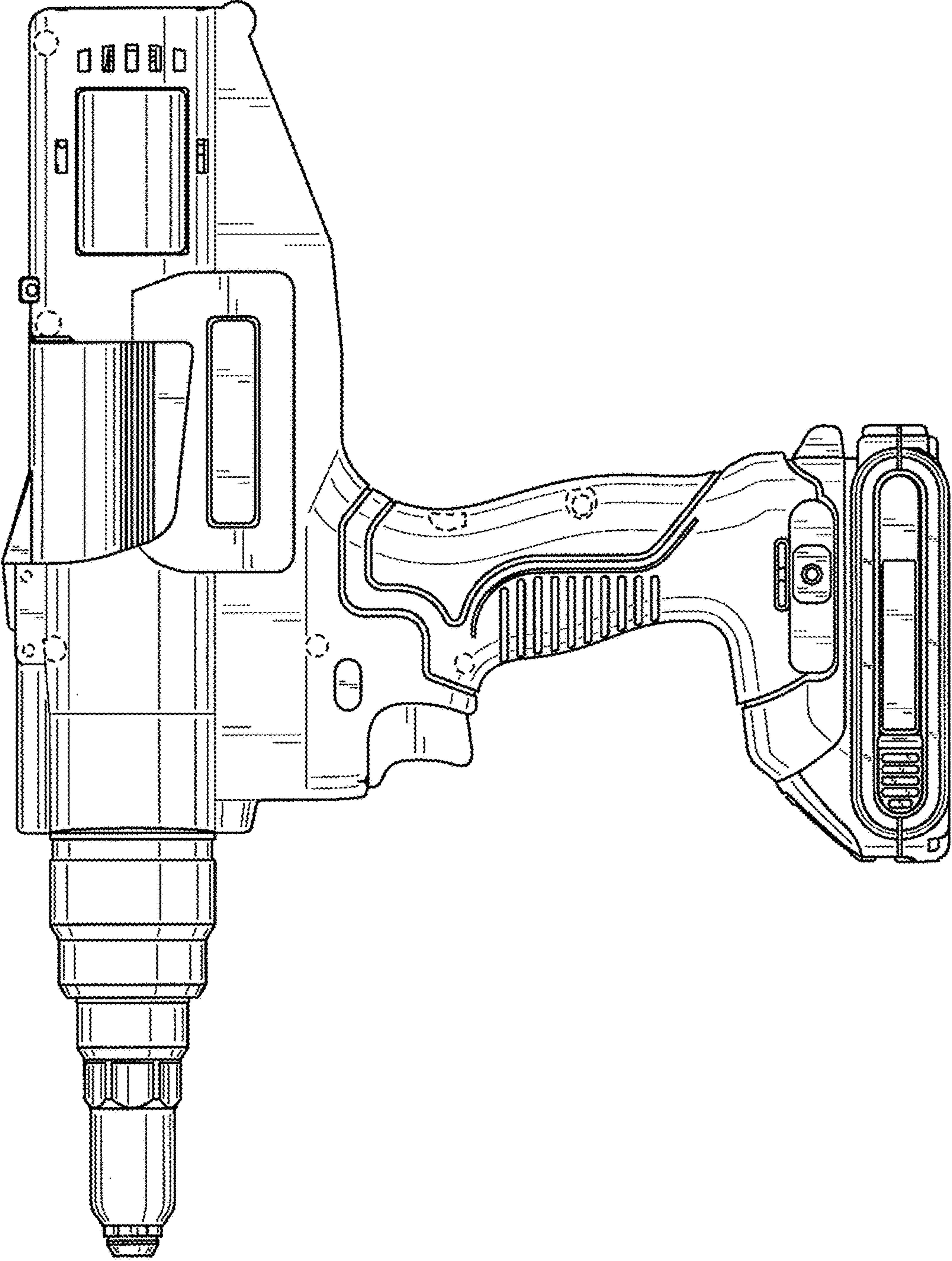


FIG. 2

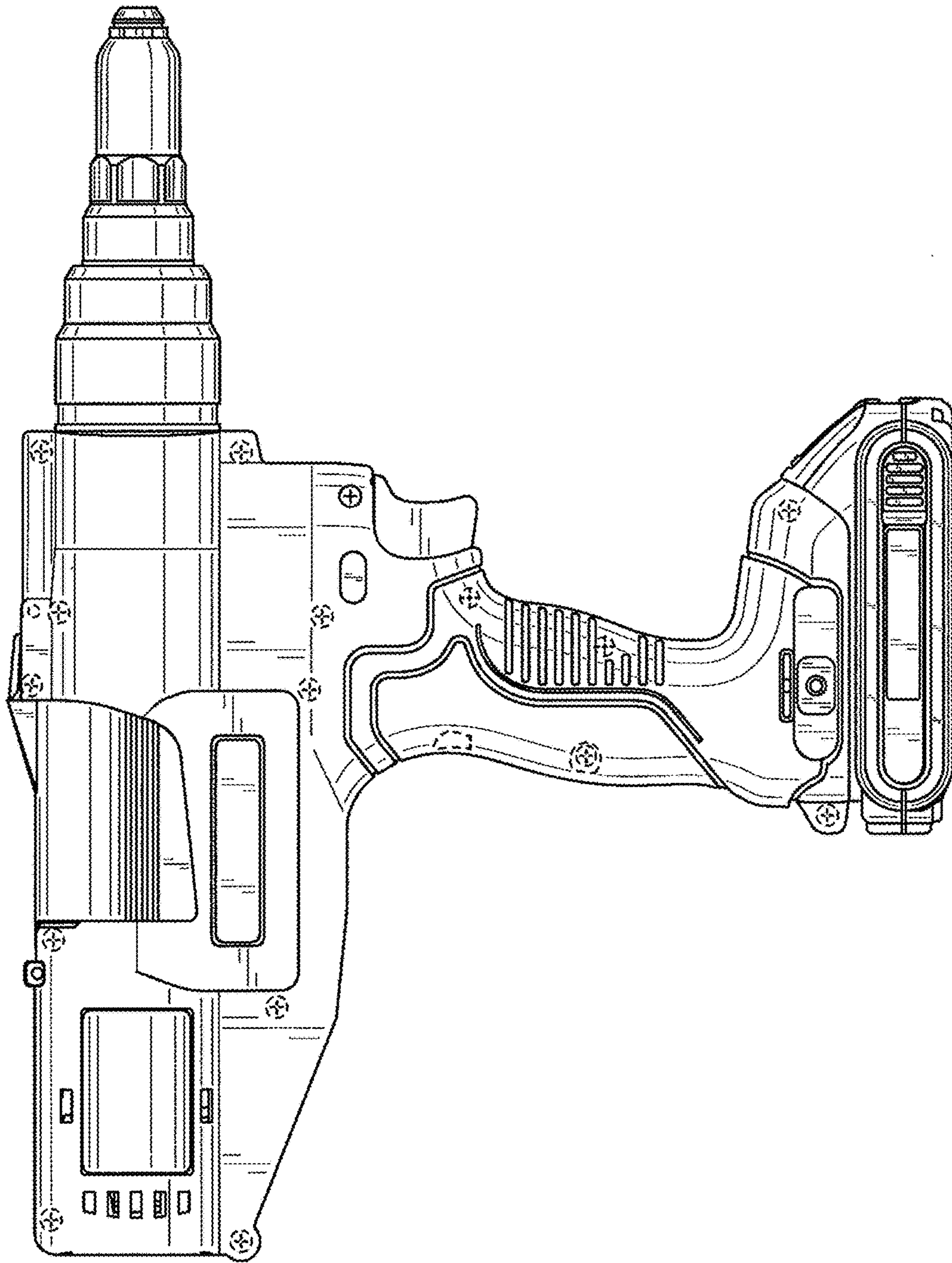


FIG. 3

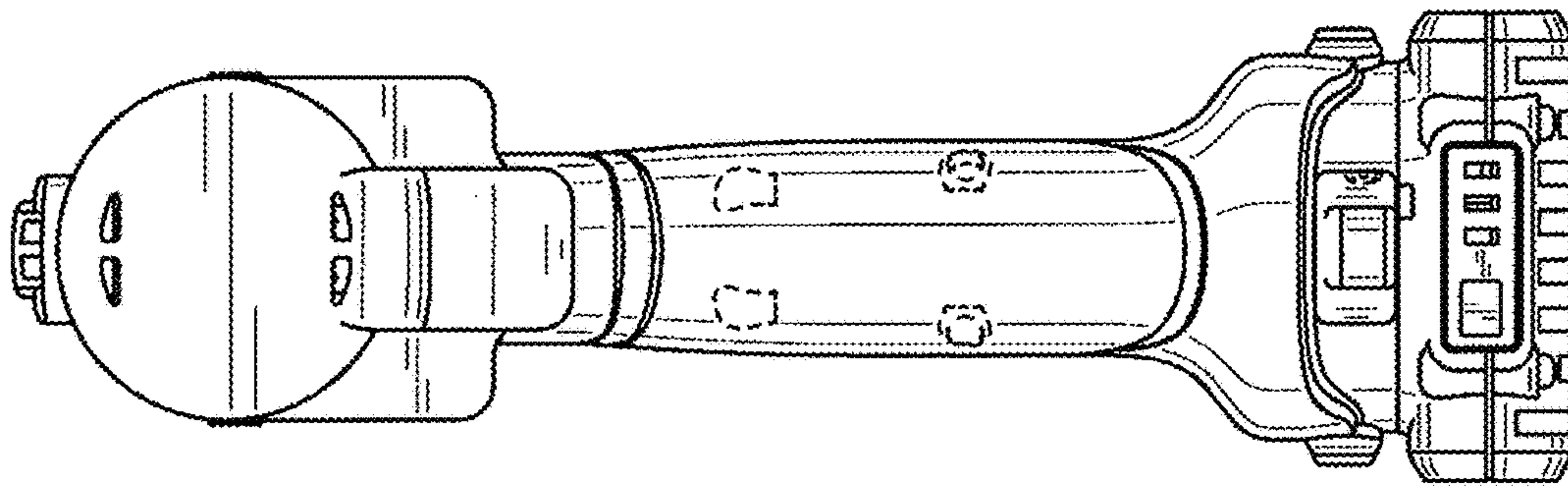


FIG. 5

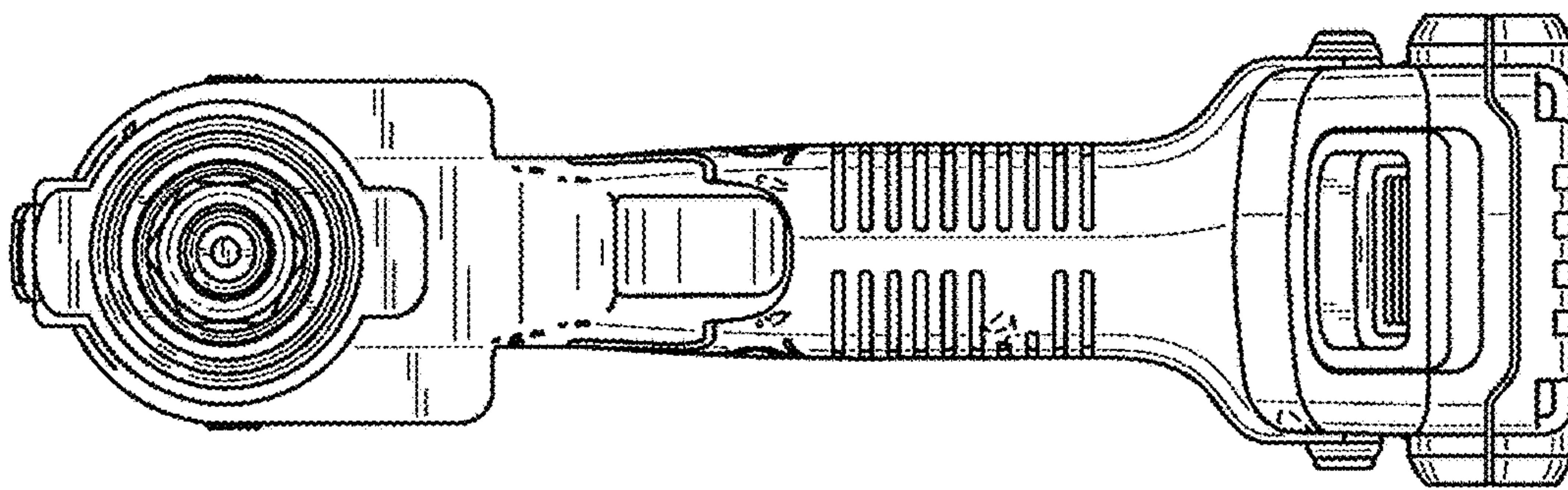


FIG. 4

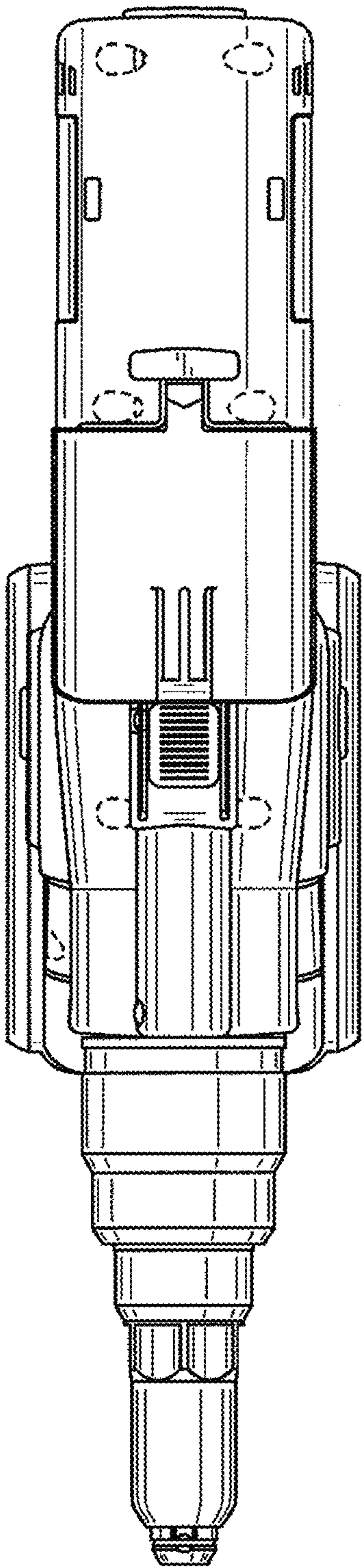


FIG. 6

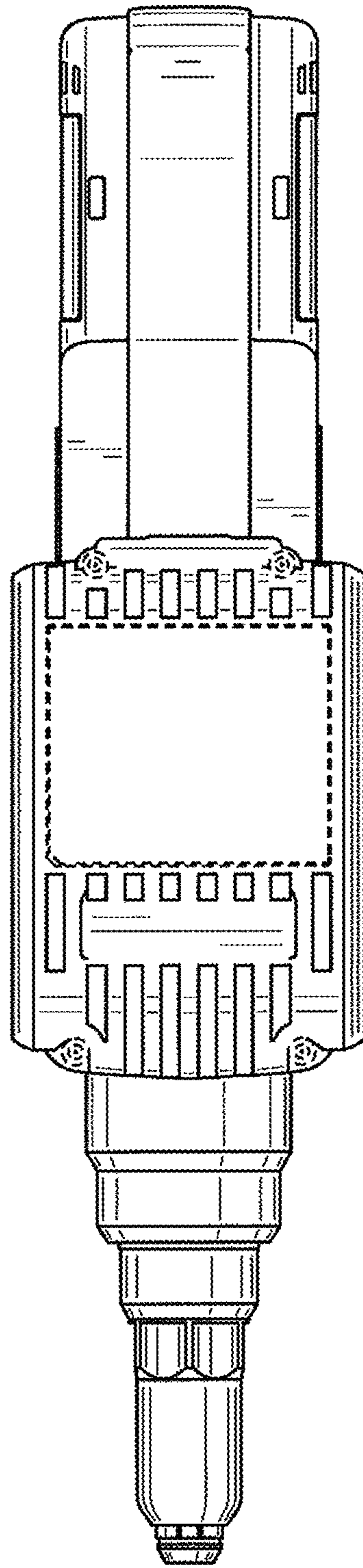


FIG. 7