



US00D833845S

(12) **United States Design Patent** (10) **Patent No.:** **US D833,845 S**
Ramping (45) **Date of Patent:** **** Nov. 20, 2018**

(54) **PLASTERING TOOL**
(71) Applicant: **SCOTT CUTTERS LIMITED**,
Marlow, Buckinghamshire (GB)
(72) Inventor: **Scott Ramping**, Marlow (GB)
(73) Assignee: **SCOTT CUTTERS LIMITED**,
Marlow, Buckingha (GB)
(**) Term: **15 Years**

(21) Appl. No.: **29/590,819**
(22) Filed: **Jan. 13, 2017**
(51) **LOC (11) Cl.** **08-05**
(52) **U.S. Cl.**
USPC **D8/45**
(58) **Field of Classification Search**
USPC D8/14, 45; D32/40, 46, 48, 49; D7/688;
D28/7; 15/236.01, 236.02, 245, 245.1;
D25/119, 48.2
CPC B05C 17/10; B25G 1/102; E04F 21/06;
E04F 21/162; E04F 21/163; E04F 21/165
See application file for complete search history.

(56) **References Cited**

U.S. PATENT DOCUMENTS

D169,837 S *	6/1953	Blander	D32/46
D214,085 S *	5/1969	Fremdling	D25/122
3,676,888 A *	7/1972	Akers	B44D 3/105
				15/144.1
D280,247 S *	8/1985	Jones	D32/41
D298,300 S	11/1988	Leray		
D352,432 S *	11/1994	Monroe	D32/41
D450,412 S *	11/2001	Hajduk	D32/41

D528,897 S	9/2006	Wang		
D534,775 S	1/2007	Wang		
D569,566 S *	5/2008	Pfitzinger	D32/46
D664,318 S *	7/2012	Thompson	D32/46
D719,427 S *	12/2014	Hernandez	D8/45
D735,545 S *	8/2015	Rampling	D8/45
9,095,971 B1 *	8/2015	Douglas	A47J 45/10
D752,401 S *	3/2016	De La Cruz	D7/688
D755,997 S *	5/2016	Frey	D25/139
D763,645 S *	8/2016	Rampling	D8/45
2014/0123425 A1	5/2014	Lee et al.		
2015/0225967 A1	8/2015	Rampling		

* cited by examiner

Primary Examiner — Philip S Hyder

(74) *Attorney, Agent, or Firm* — Andrew W. Chu; Craft Chu PLLC

(57) **CLAIM**

The ornamental design for a plastering tool, as shown and described.

DESCRIPTION

FIG. 1 is a front perspective view of the plastering tool showing my design.

FIG. 2 is a back perspective view thereof;

FIG. 3 is a front elevation view thereof;

FIG. 4 is a back elevation view thereof;

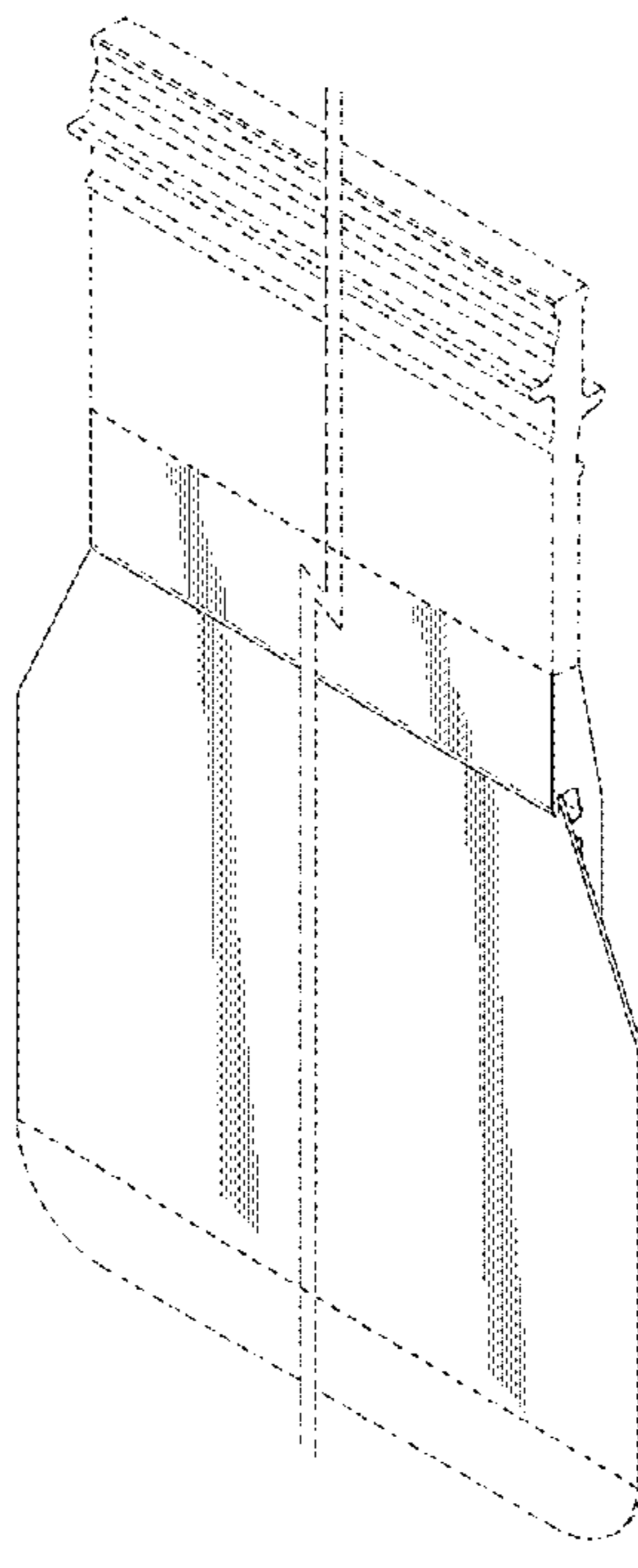
FIG. 5 is a side elevation view thereof, an opposite side elevation view being a mirror image thereof;

FIG. 6 is a top plan view thereof; and,

FIG. 7 is a bottom plan view thereof.

The second set of broken lines in the regularly dashed pattern depict portions of the plastering tool that are not considered part of the claimed design.

1 Claim, 7 Drawing Sheets



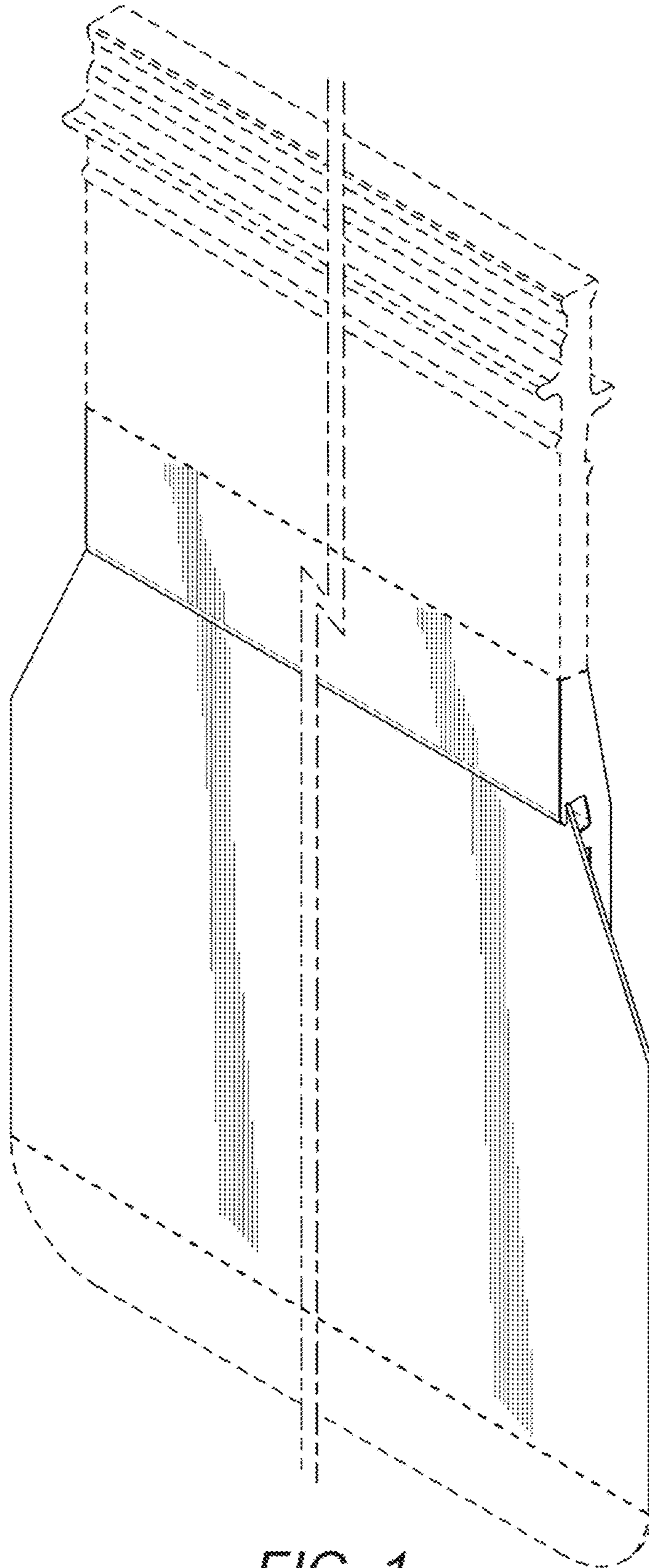


FIG. 1

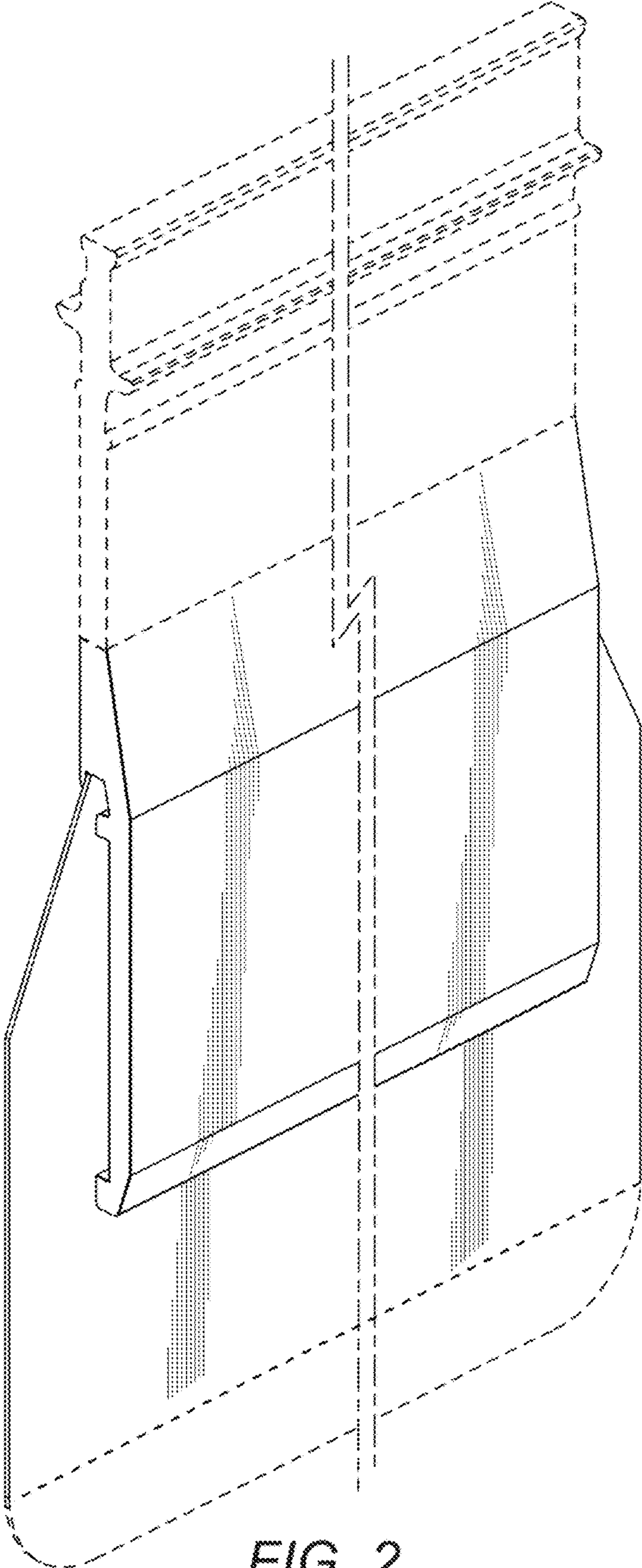


FIG. 2

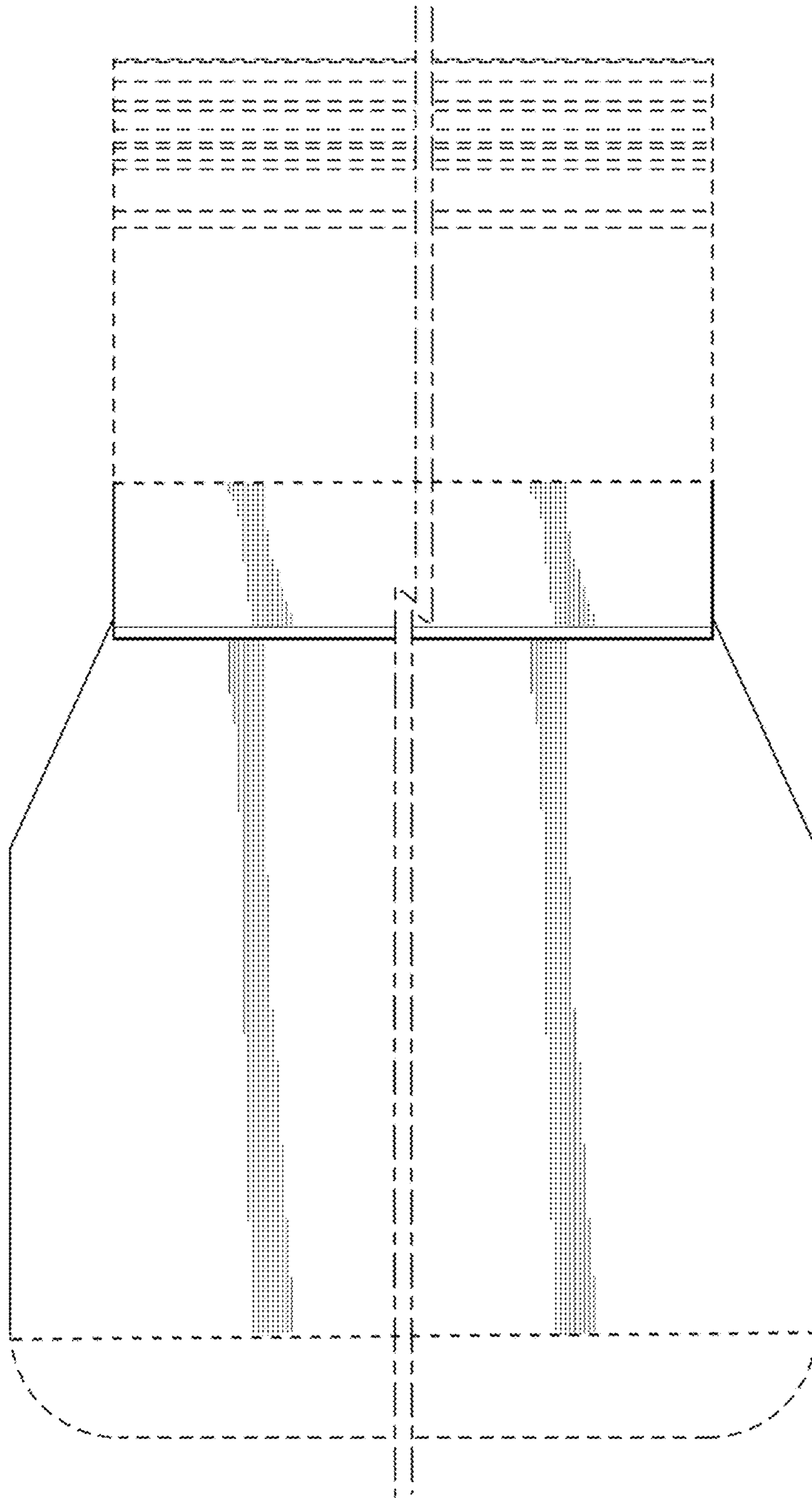


FIG. 3

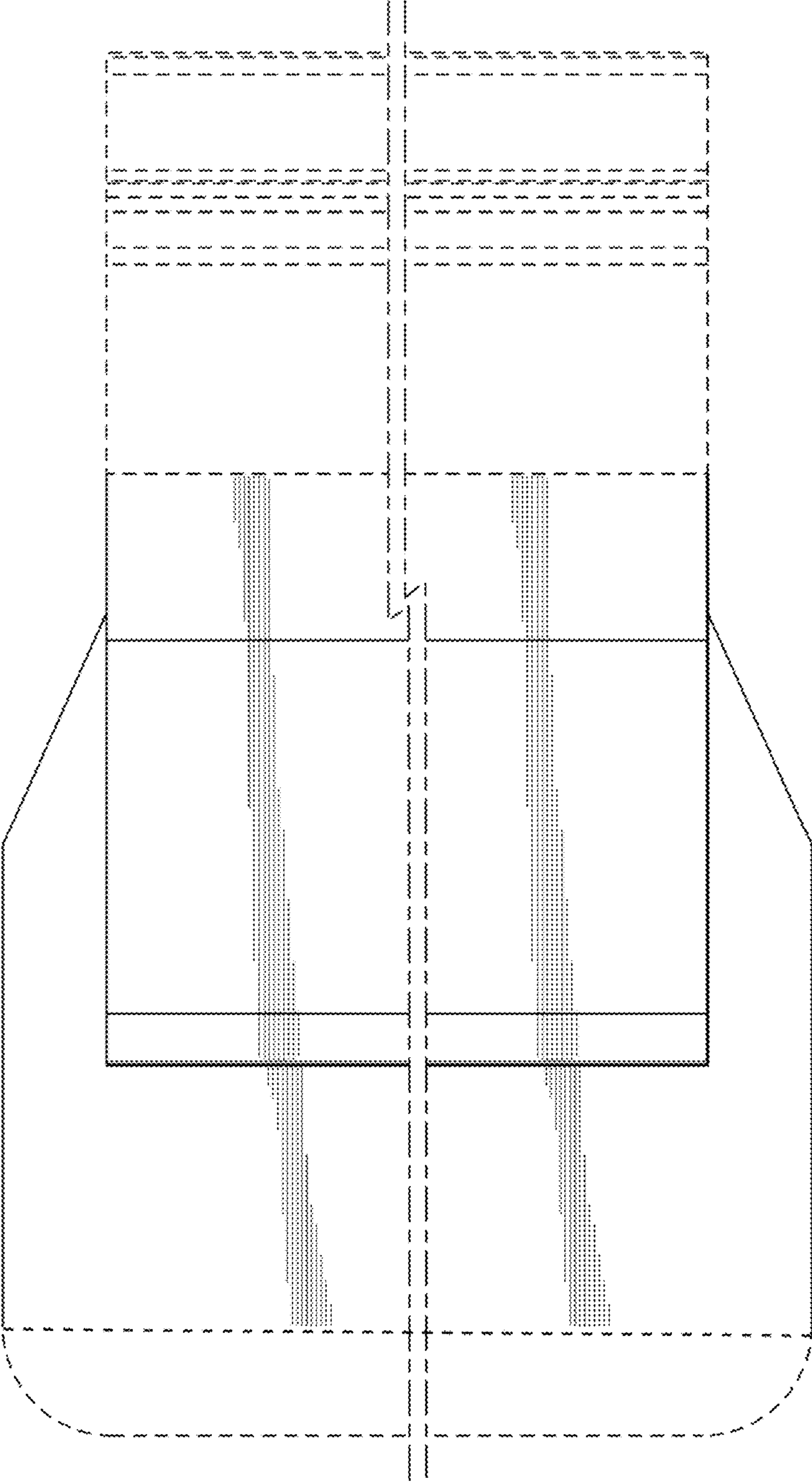


FIG. 4

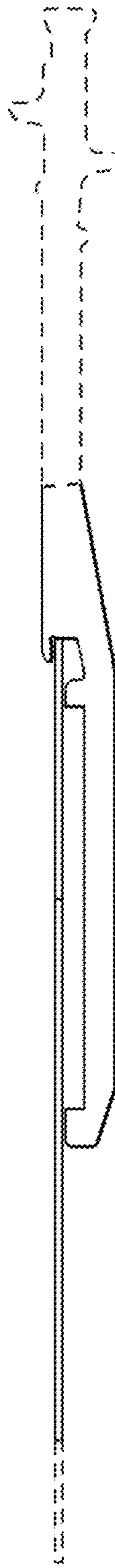


FIG. 5

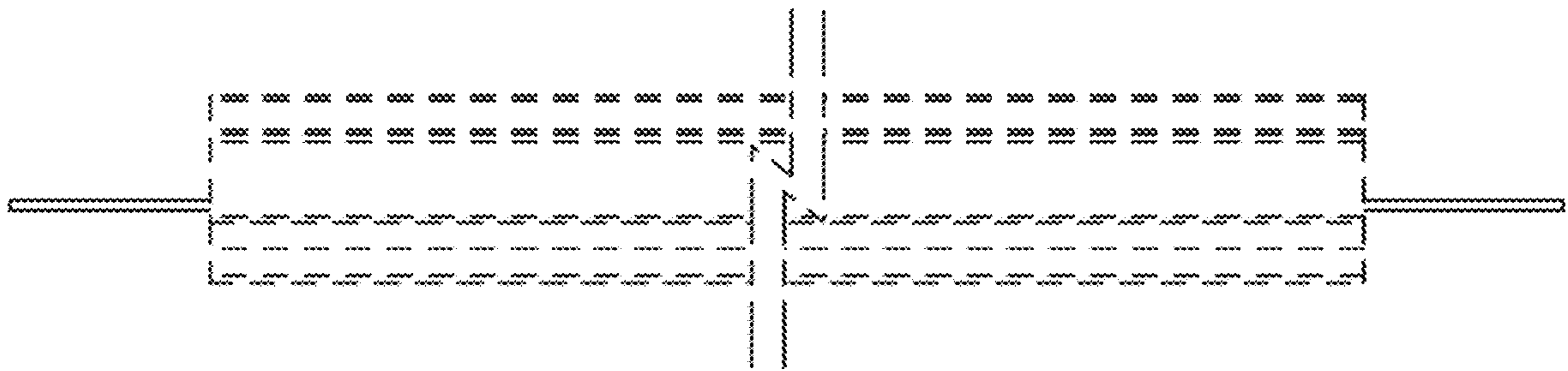


FIG. 6

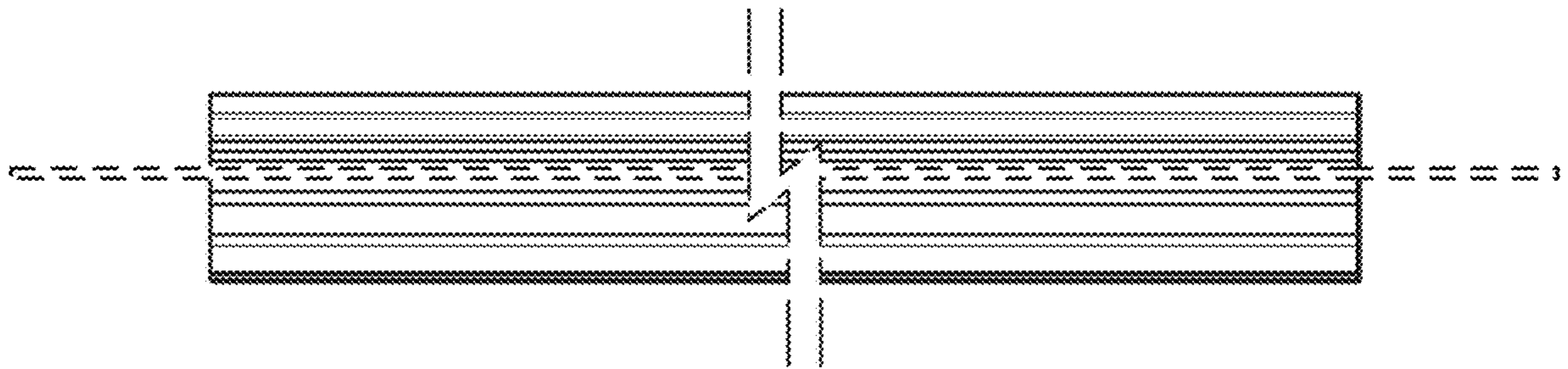


FIG. 7