



US00D833844S

(12) **United States Design Patent** (10) **Patent No.:** **US D833,844 S**  
**Ramping** (45) **Date of Patent:** **\*\* Nov. 20, 2018**

(54) **PLASTERING TOOL**  
(71) Applicant: **SCOTT CUTTERS LIMITED**,  
Marlow, Buckinghamshire (GB)  
(72) Inventor: **Scott Ramping**, Marlow (GB)  
(73) Assignee: **SCOTT CUTTERS LIMITED**,  
Marlow, Buckingham (GB)  
(\*\*) Term: **15 Years**

(21) Appl. No.: **29/590,817**

(22) Filed: **Jan. 13, 2017**

(30) **Foreign Application Priority Data**

Jul. 14, 2016 (EM) ..... 003306075-0001

(51) **LOC (11) Cl.** ..... **08-05**

(52) **U.S. Cl.**  
USPC ..... **D8/45**

(58) **Field of Classification Search**

USPC ..... D8/14, 45; D32/40, 46, 48, 49;  
D25/48.2, 119; D7/688; D28/7;  
15/236.01, 236.02, 245, 245.1

CPC ..... B05C 17/10; B25G 1/102; E04F 21/06;  
E04F 21/162; E04F 21/163; E04F 21/165

See application file for complete search history.

(56) **References Cited**

**U.S. PATENT DOCUMENTS**

D169,837 S \* 6/1953 Blander ..... D32/46  
D214,085 S \* 5/1969 Fremdling ..... D25/122  
3,676,888 A \* 7/1972 Akers ..... B44D 3/105  
15/144.1  
D280,247 S \* 8/1985 Jones ..... D32/41  
D298,300 S 11/1988 Leray

D352,432 S \* 11/1994 Monroe ..... D32/41  
D450,412 S \* 11/2001 Hajduk ..... D32/41  
D528,897 S 9/2006 Wang  
D534,775 S 1/2007 Wang  
D569,566 S \* 5/2008 Pfitzinger ..... D32/46  
D664,318 S \* 7/2012 Thompson ..... D32/46  
D719,427 S \* 12/2014 Hernandez ..... D8/45  
D735,545 S \* 8/2015 Rampling ..... D8/45  
9,095,971 B1 \* 8/2015 Douglas ..... A47J 45/10  
D752,401 S \* 3/2016 De La Cruz ..... D7/688  
D755,997 S \* 5/2016 Frey ..... D25/139  
D763,645 S \* 8/2016 Rampling ..... D8/45  
2014/0123425 A1 5/2014 Lee et al.  
2015/0225967 A1 8/2015 Rampling

\* cited by examiner

*Primary Examiner* — Philip S Hyder

(74) *Attorney, Agent, or Firm* — Andrew W. Chu; Craft  
Chu PLLC

(57) **CLAIM**

The ornamental design for a plastering tool, as shown and  
described.

**DESCRIPTION**

FIG. 1 is a front perspective view of the plastering tool  
showing my design.

FIG. 2 is a back perspective view thereof;

FIG. 3 is a front elevation view thereof;

FIG. 4 is a back elevation view thereof;

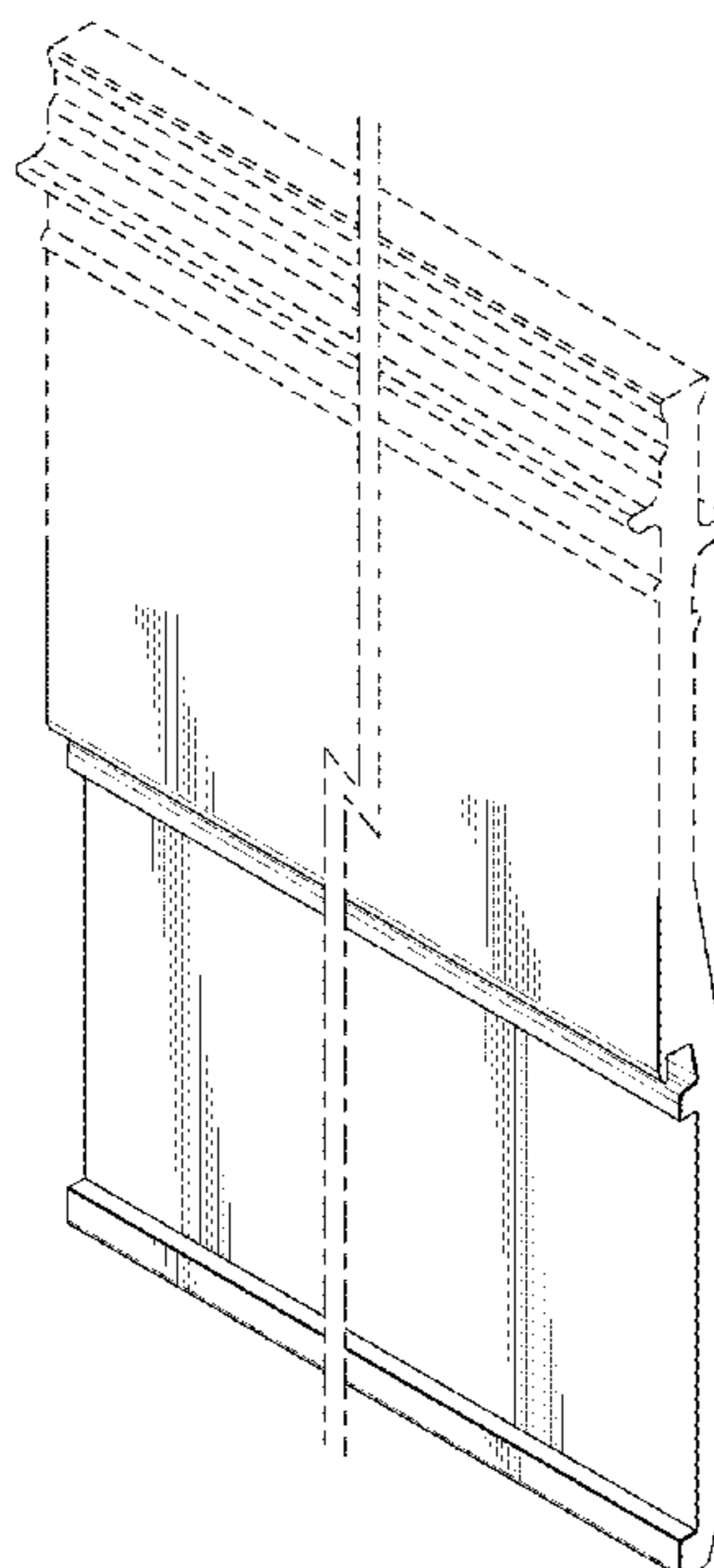
FIG. 5 is a side elevation view thereof, an opposite side  
elevation view being a mirror image thereof;

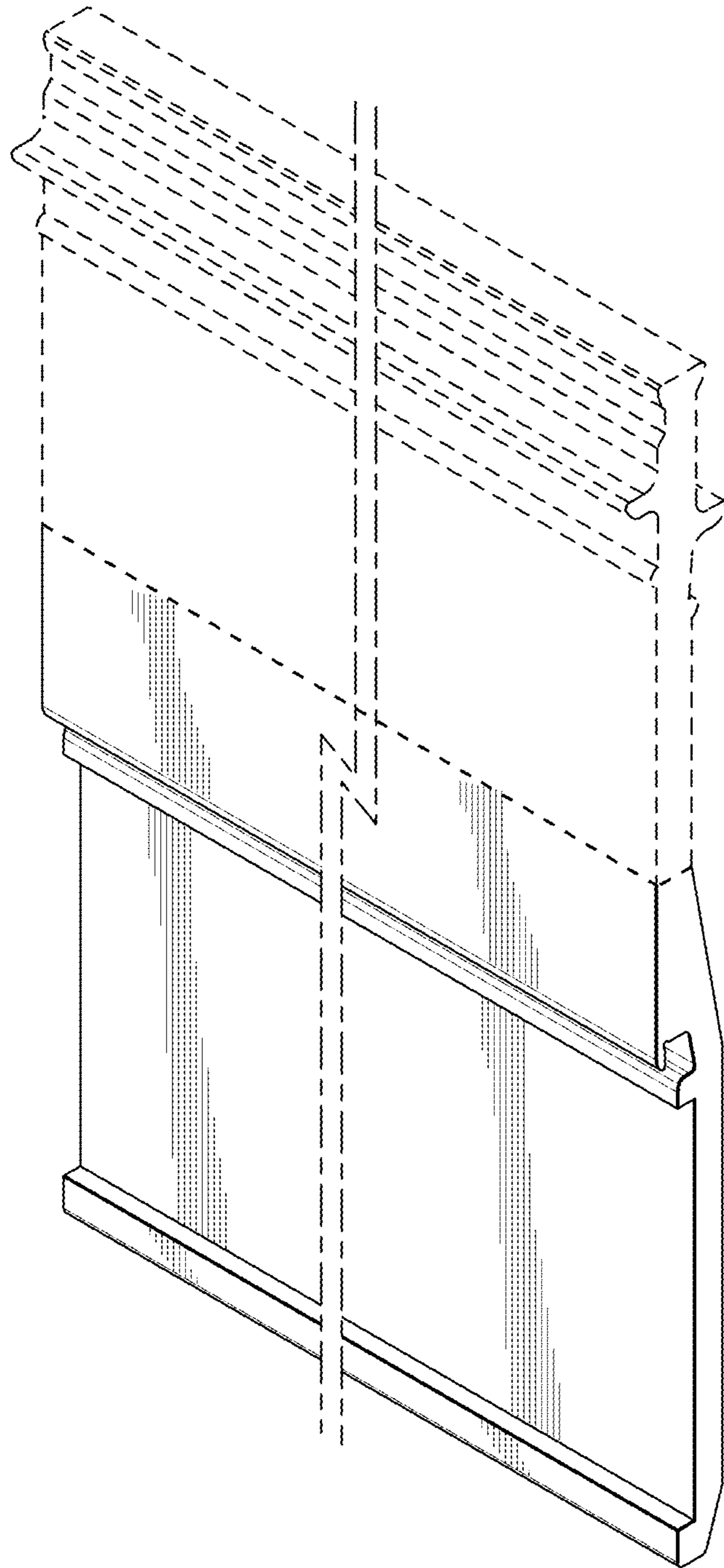
FIG. 6 is a top plan view thereof; and,

FIG. 7 is a bottom plan view thereof.

The second set of broken lines in the regularly dashed  
pattern depict portions of the plastering tool that are not  
considered part of the claimed design.

**1 Claim, 7 Drawing Sheets**





**FIG. 1**

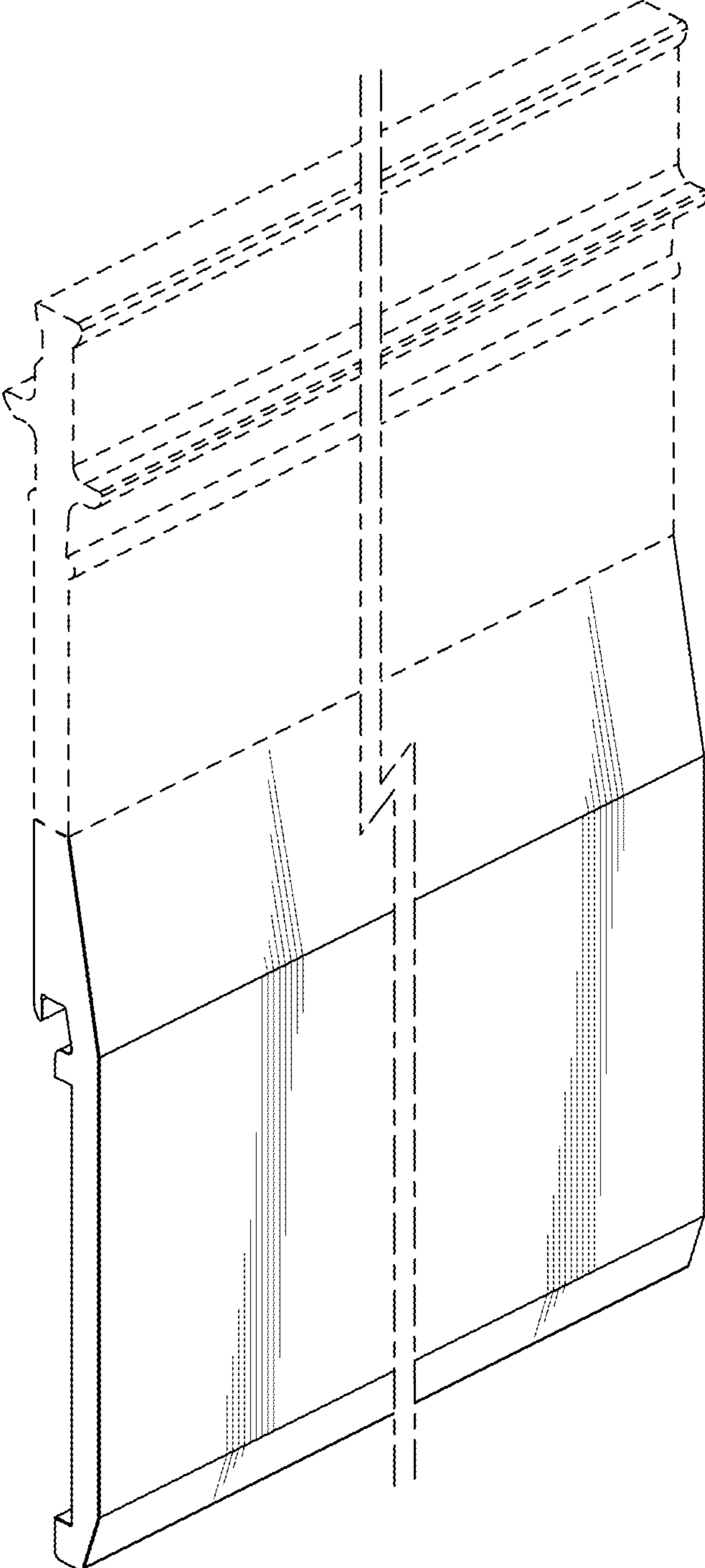


FIG. 2

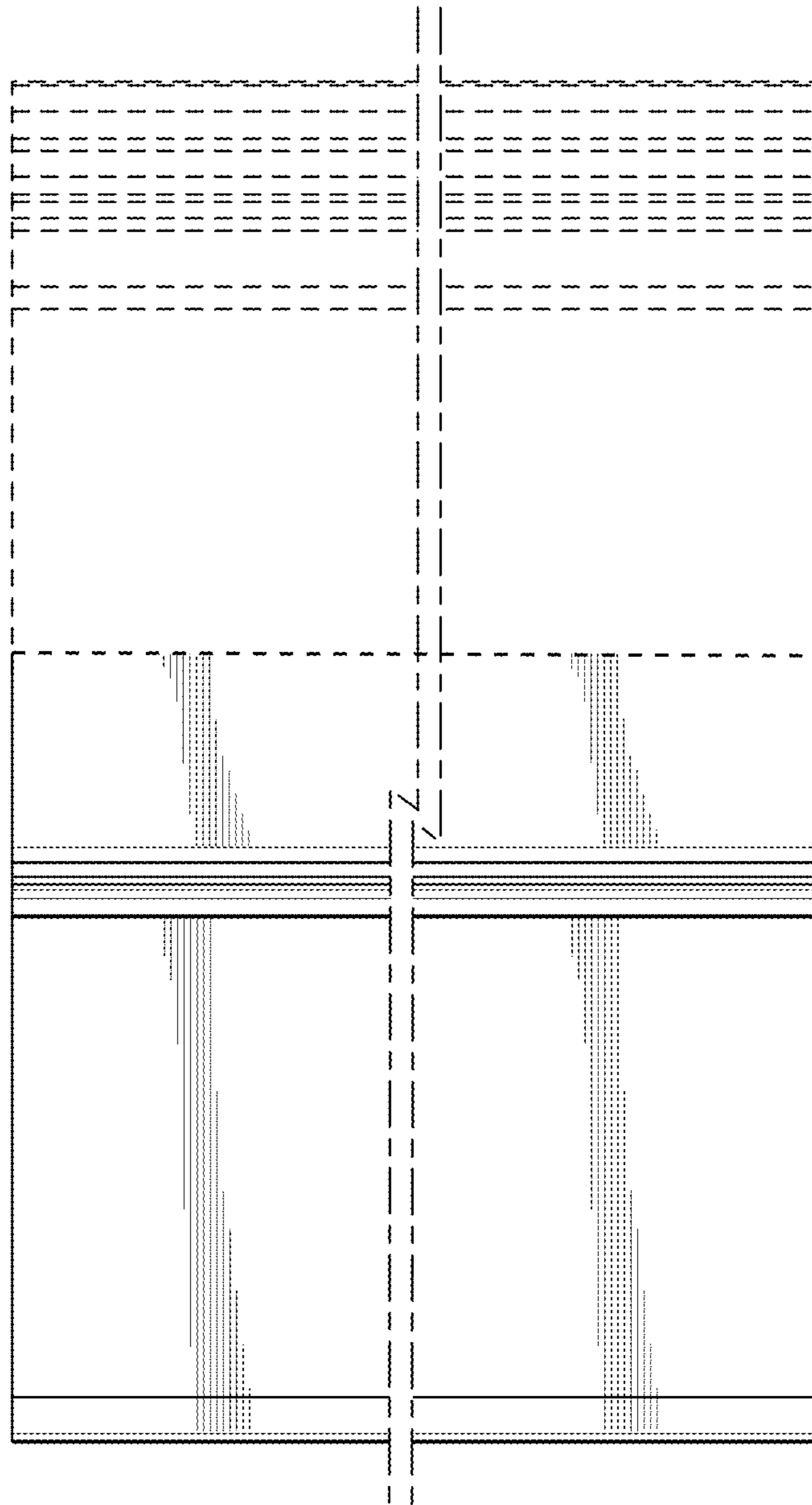


FIG. 3

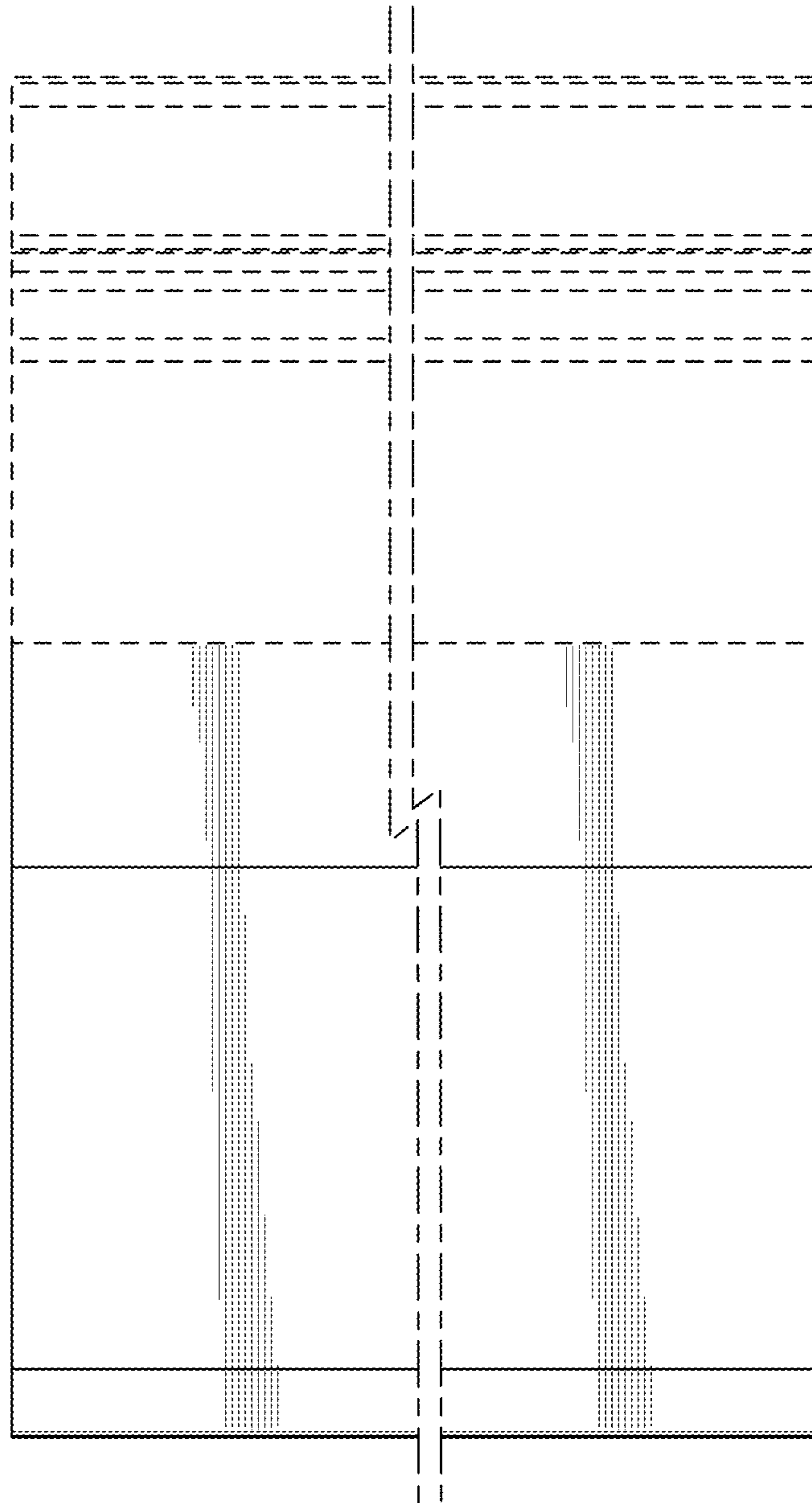
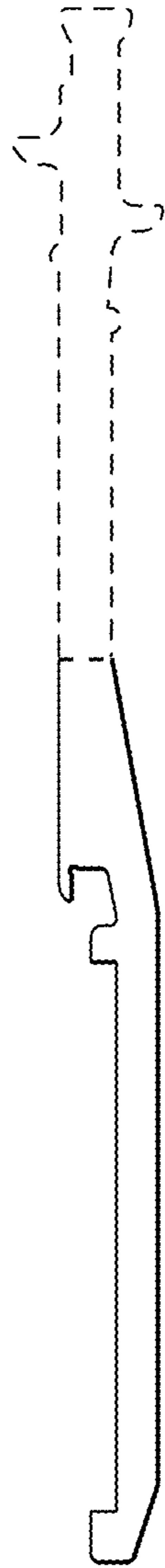
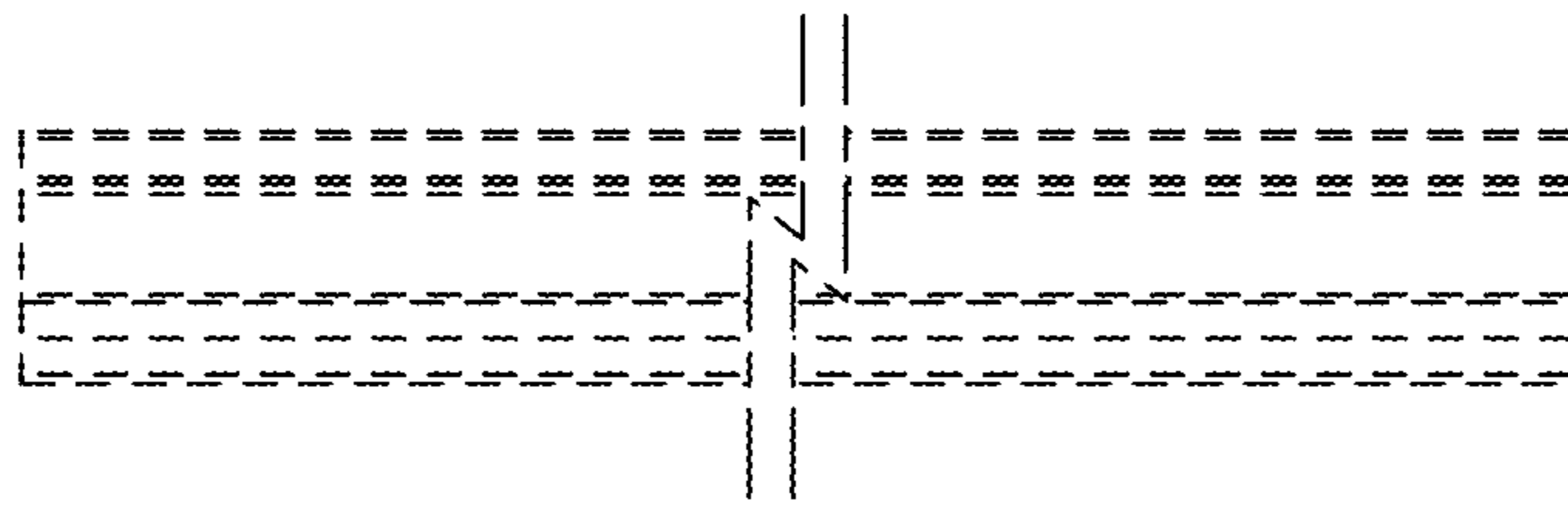


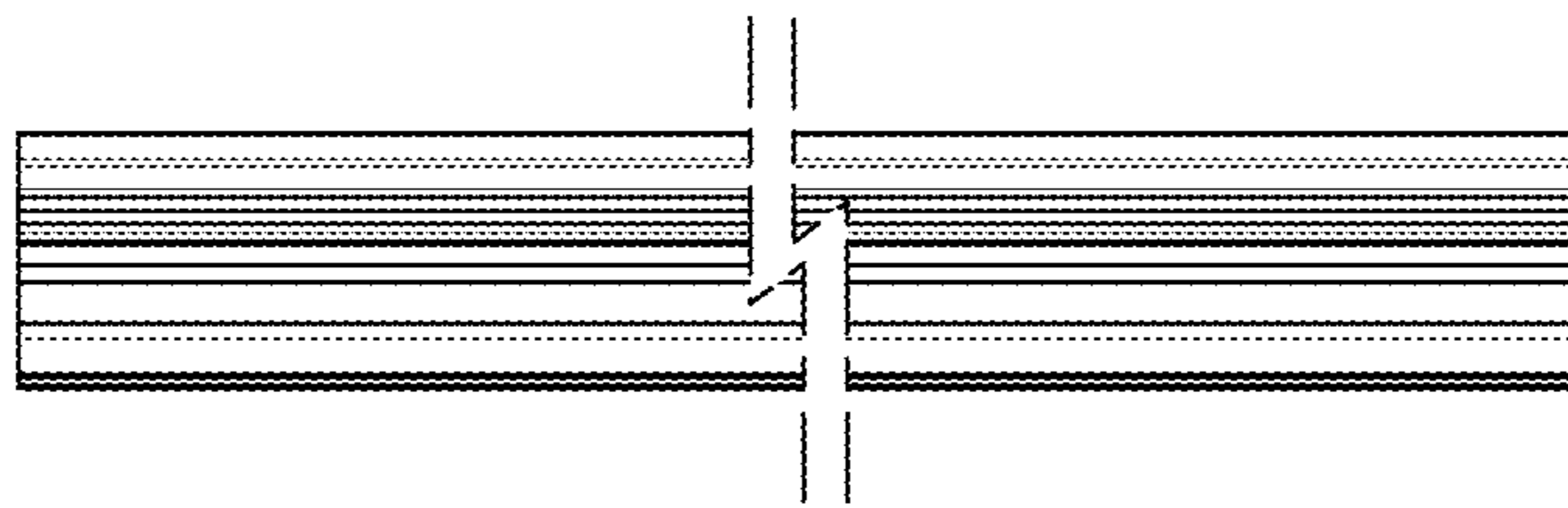
FIG. 4



*FIG. 5*



*FIG. 6*



*FIG. 7*