



US00D833842S

(12) **United States Design Patent** (10) **Patent No.:** **US D833,842 S**  
**Murphy** (45) **Date of Patent:** **\*\* Nov. 20, 2018**

(54) **BICYCLE SEAT BOTTLE OPENER**

(71) Applicant: **Brian Brent Murphy**, Lafayette, CO (US)

(72) Inventor: **Brian Brent Murphy**, Lafayette, CO (US)

(\*\*) Term: **15 Years**

(21) Appl. No.: **29/609,703**

(22) Filed: **Jul. 4, 2017**

(51) **LOC (11) Cl.** ..... **07-06**

(52) **U.S. Cl.**  
USPC ..... **D8/38**

(58) **Field of Classification Search**  
USPC ..... D8/18, 33, 34, 40, 43, 88, 89, 105;  
D3/221, 254, 257, 258; D11/1, 7, 14, 17,  
D11/22, 30, 95, 99, 184, 204, 211;  
D21/301, 308, 314, 315, 316, 318, 319,  
D21/386, 398, 698, 701, 708, 712, 713,  
D21/780, 781, 788, 799.1, 538, 663, 695;  
30/400, 410; 81/3.27, 3.29, 3.55; 7/126,  
7/151; D12/107, 108, 111, 114  
CPC .... B67B 7/00; B67B 7/04; B67B 7/06; B67B  
7/12; B67B 7/14; B67B 7/16; B67B 7/18;  
B67B 7/0423; B25F 1/00; B62K 3/00;  
B62K 1/00

See application file for complete search history.

(56) **References Cited**

**U.S. PATENT DOCUMENTS**

D502,609 S *	3/2005	Tonin	.....	D6/354
D515,904 S *	2/2006	Long	.....	D8/105
D580,244 S *	11/2008	Smith	.....	D8/34
D594,721 S *	6/2009	Smith	.....	D8/18
D613,140 S *	4/2010	Smith	.....	D8/34
D640,879 S *	7/2011	Curran	.....	D6/354
D760,507 S *	7/2016	Marcel	.....	D6/354

**OTHER PUBLICATIONS**

Swobo Folsom Brings BMX to the Big City; Retrieved From [https://www.wired.com/2007/06/review\\_swobo\\_fo/](https://www.wired.com/2007/06/review_swobo_fo/); Retrieved on May 10, 2018; Online Article Posted Jun. 6, 2007 (Year: 2007).\*  
Imgur: My bike seat has a built in bottle opener underneath it; Retrieved From <https://imgur.com/gallery/qiT6zph>; Retrieved on May 10, 2018; Blog Post Dated Sep. 24, 2015 (Year: 2015).\*

\* cited by examiner

*Primary Examiner* — Wan Laymon  
*Assistant Examiner* — Clint A Samuel

(57) **CLAIM**

The ornamental design for a bicycle seat bottle opener, as shown and described.

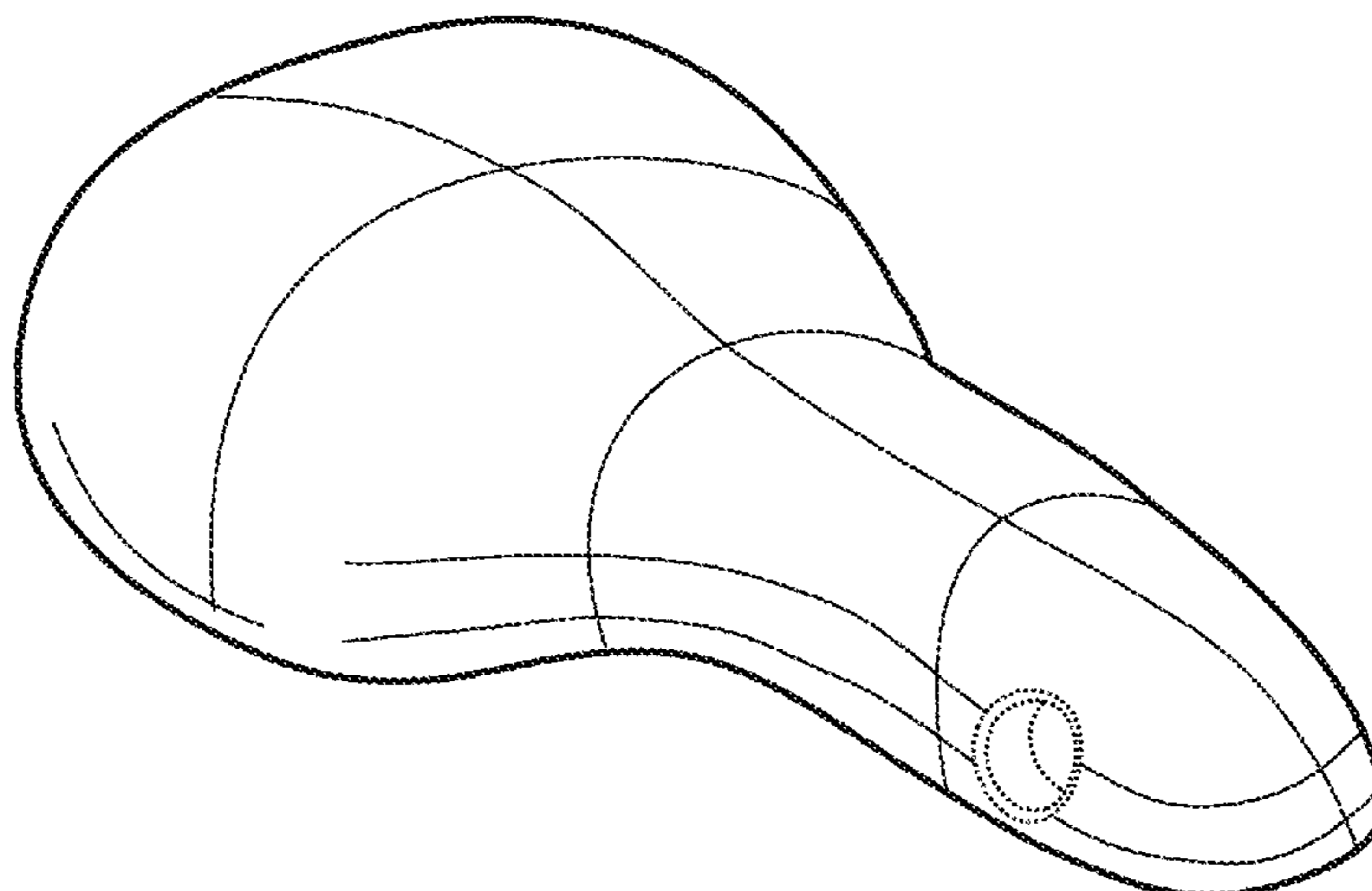
**DESCRIPTION**

FIG. 1 is a right side view of the bicycle seat bottle opener; FIG. 2 is a front view of the bicycle seat bottle opener; FIG. 3 is a top view of the bicycle seat bottle opener, with a split ring inserted therein; FIG. 4 is a perspective view of the bicycle seat bottle opener; FIG. 5 is a bottom view of the bicycle seat bottle opener; and, FIG. 6 is a bottom perspective view of the bicycle seat bottle opener, illustrating a bottle opener portion under the bicycle seat.

The broken lines included in the drawings herein are shown for illustrative purposes only and forms no part of the claimed design. However, the broken lines are illustrative of approximate scale relative to a bottle opener portion used to engage a bottle cap for removal.

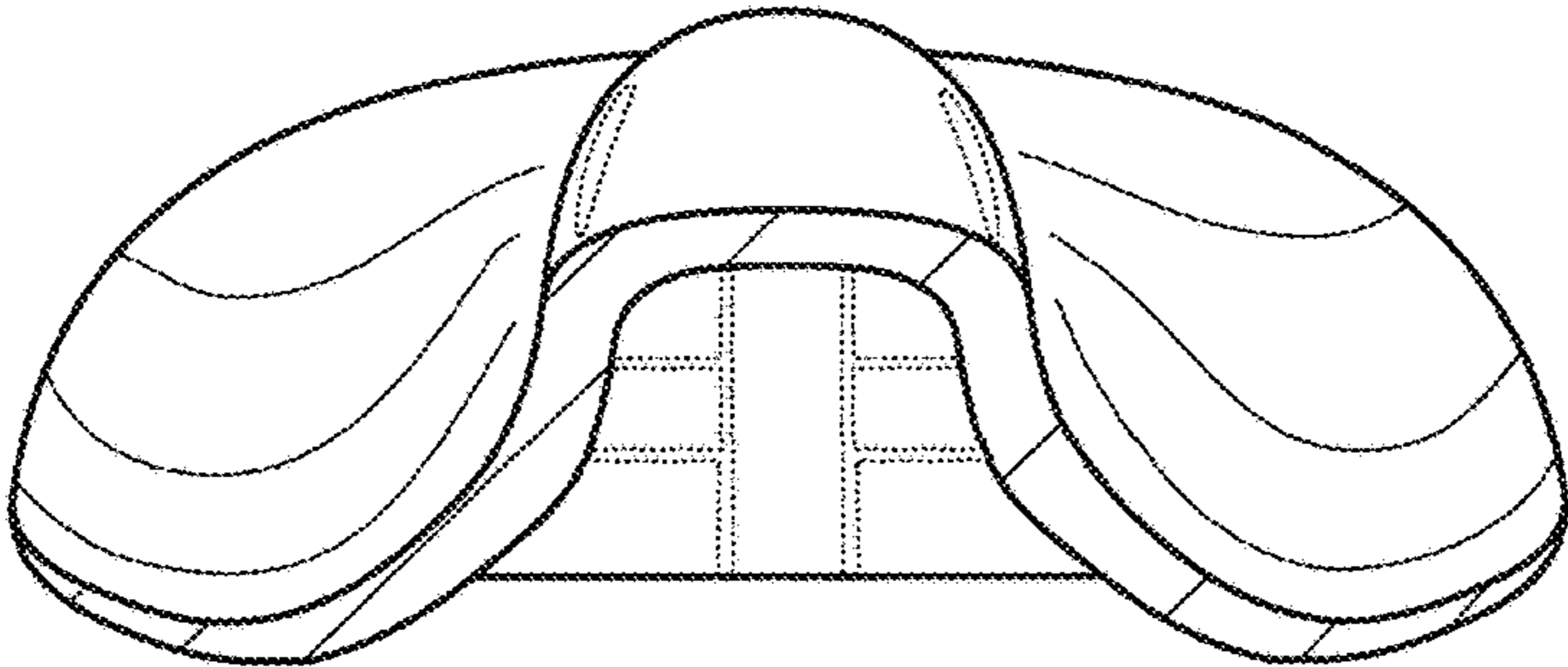
The present bottle opener is characterized by being in the shape of the seat of a bicycle, as shown and described.

**1 Claim, 6 Drawing Sheets**



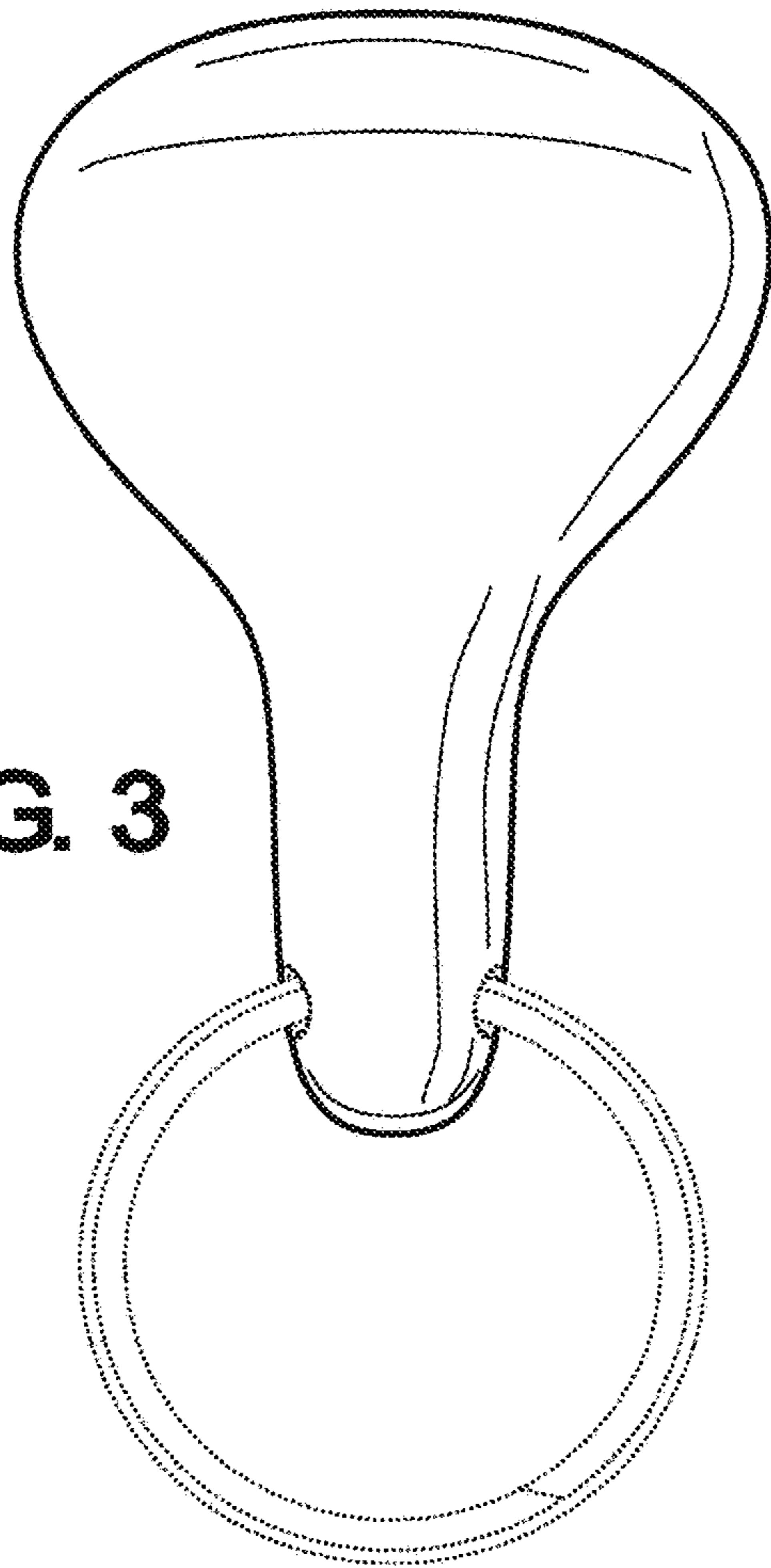


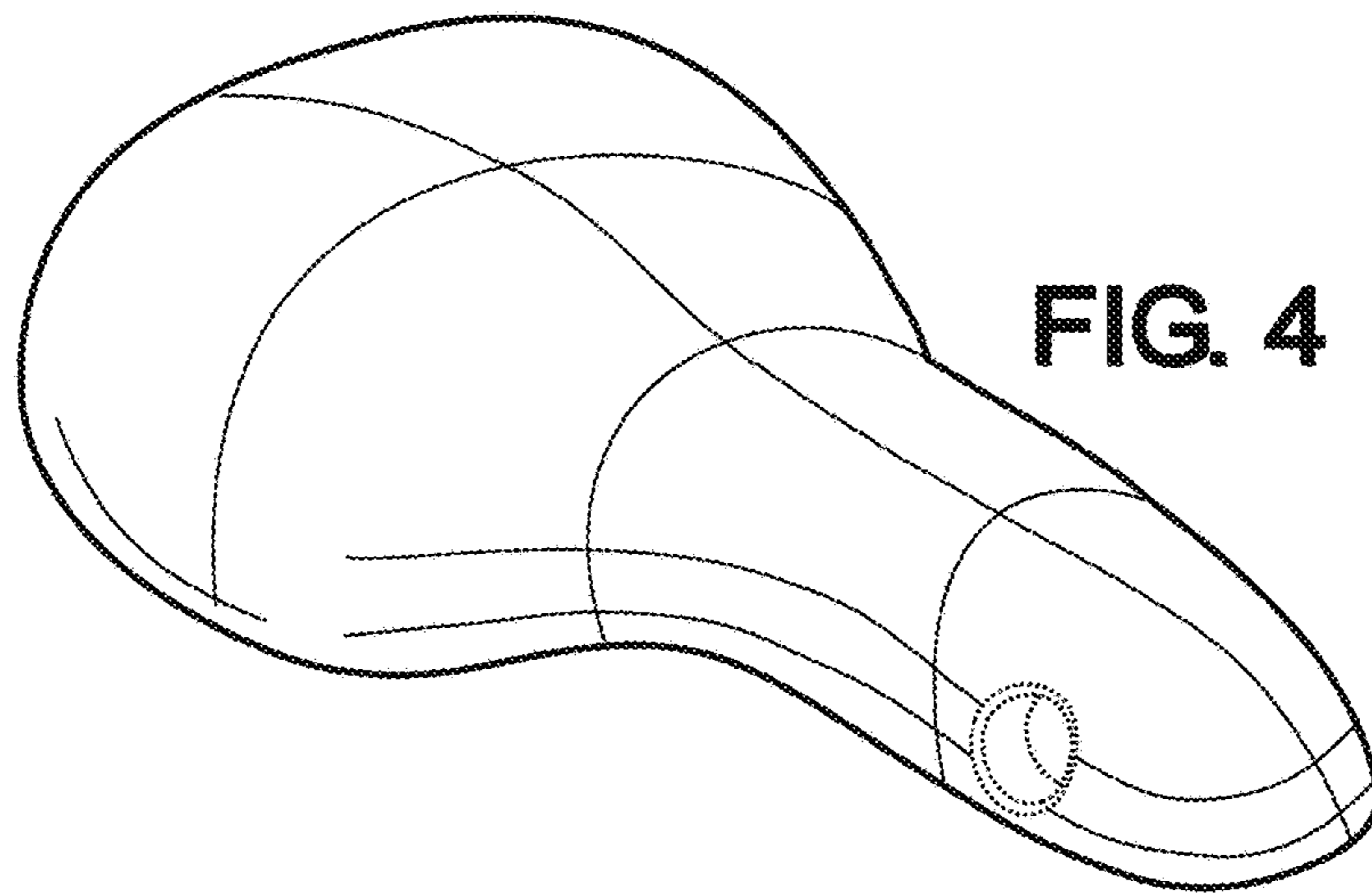
**FIG. 1**

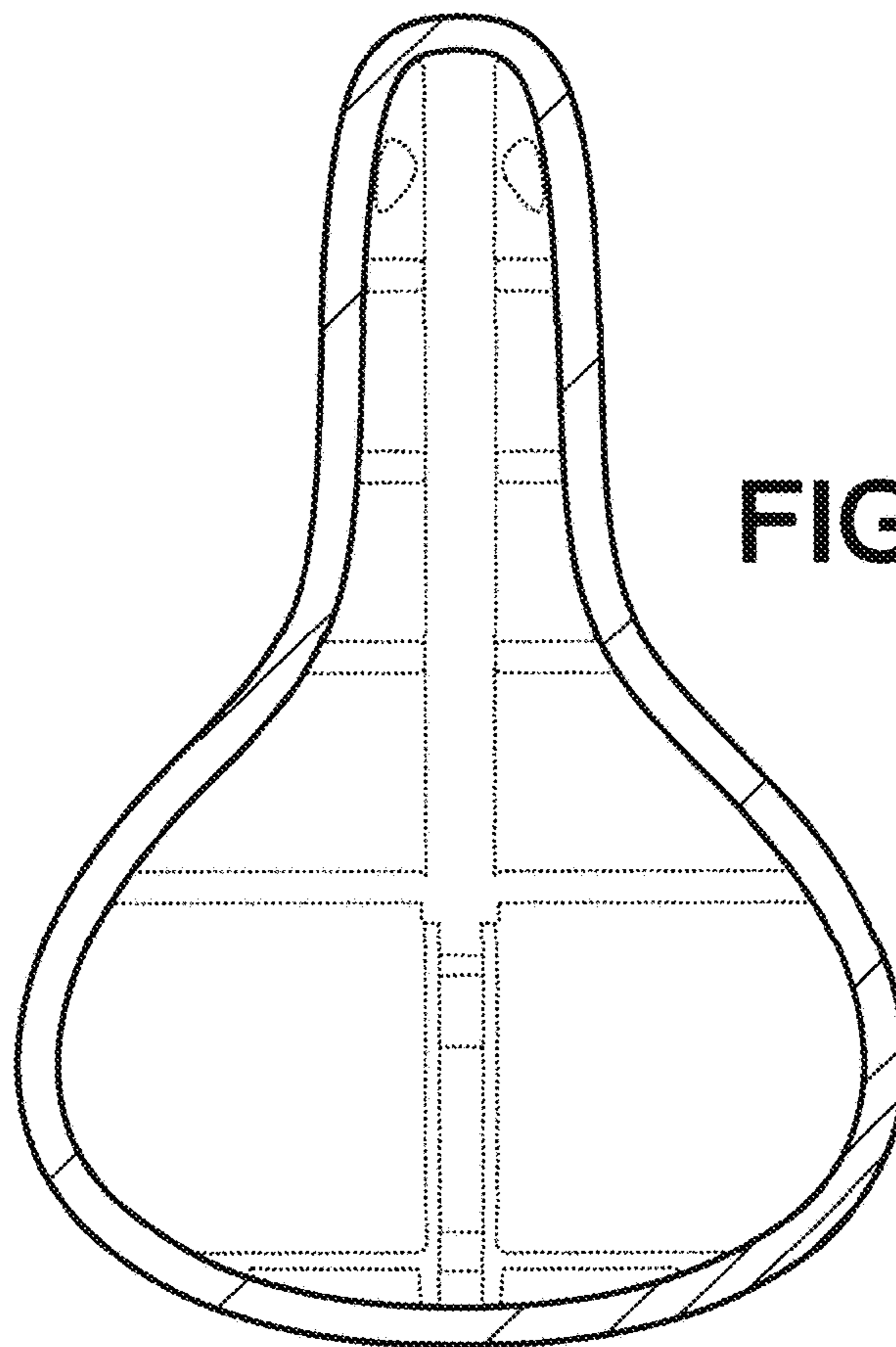


**FIG. 2**

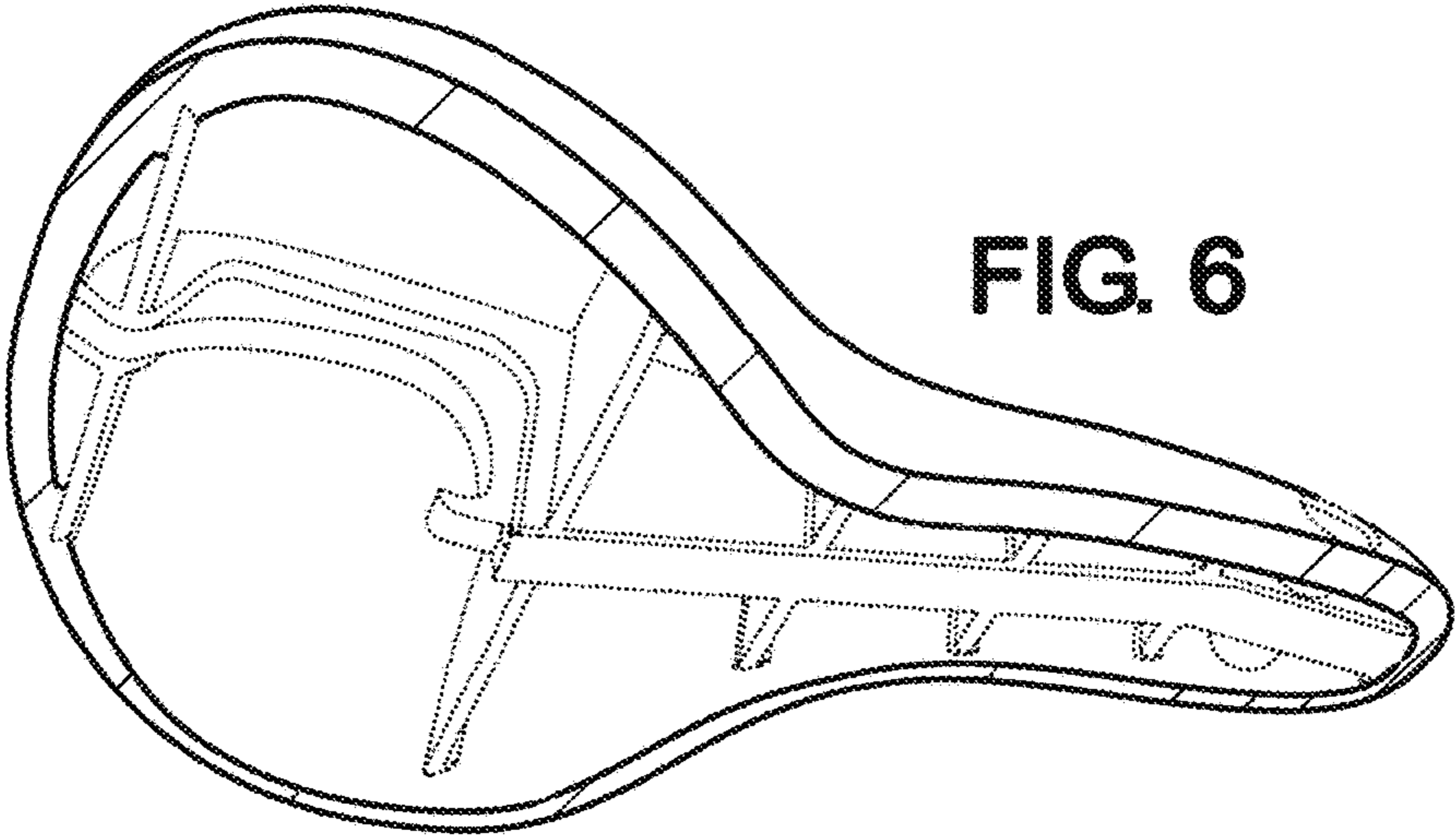
**FIG. 3**







**FIG. 5**



**FIG. 6**