



US00D833841S

(12) **United States Design Patent** (10) **Patent No.:** **US D833,841 S**
Tsai (45) **Date of Patent:** **** Nov. 20, 2018**

(54) **TORSION WRENCH**

CPC B25B 31/00; B25B 13/00; B25B 23/00
See application file for complete search history.

(71) Applicant: **Mytools Enterprise Co., Ltd.**, Taiping,
Taichung (TW)

(56) **References Cited**

(72) Inventor: **Cheng-Chang Tsai**, Taiping (TW)

U.S. PATENT DOCUMENTS

(73) Assignee: **Mytools Enterprise Co., Ltd.**, Taiping
(TW)

D586,193 S * 2/2009 Escoe D8/24
D605,006 S * 12/2009 Shiao D8/107
D605,482 S * 12/2009 Jenkins D8/24
D699,531 S * 2/2014 Olson D8/24

(**) Term: **15 Years**

* cited by examiner

(21) Appl. No.: **29/624,738**

Primary Examiner — Randall H Gholson
(74) *Attorney, Agent, or Firm* — Alan D. Kamrath;
Kamrath IP Lawfirm, P.A.

(22) Filed: **Nov. 3, 2017**

(57) **CLAIM**

The ornamental design for a torsion wrench, as shown.

(51) **LOC (11) Cl.** **08-05**

DESCRIPTION

(52) **U.S. Cl.**

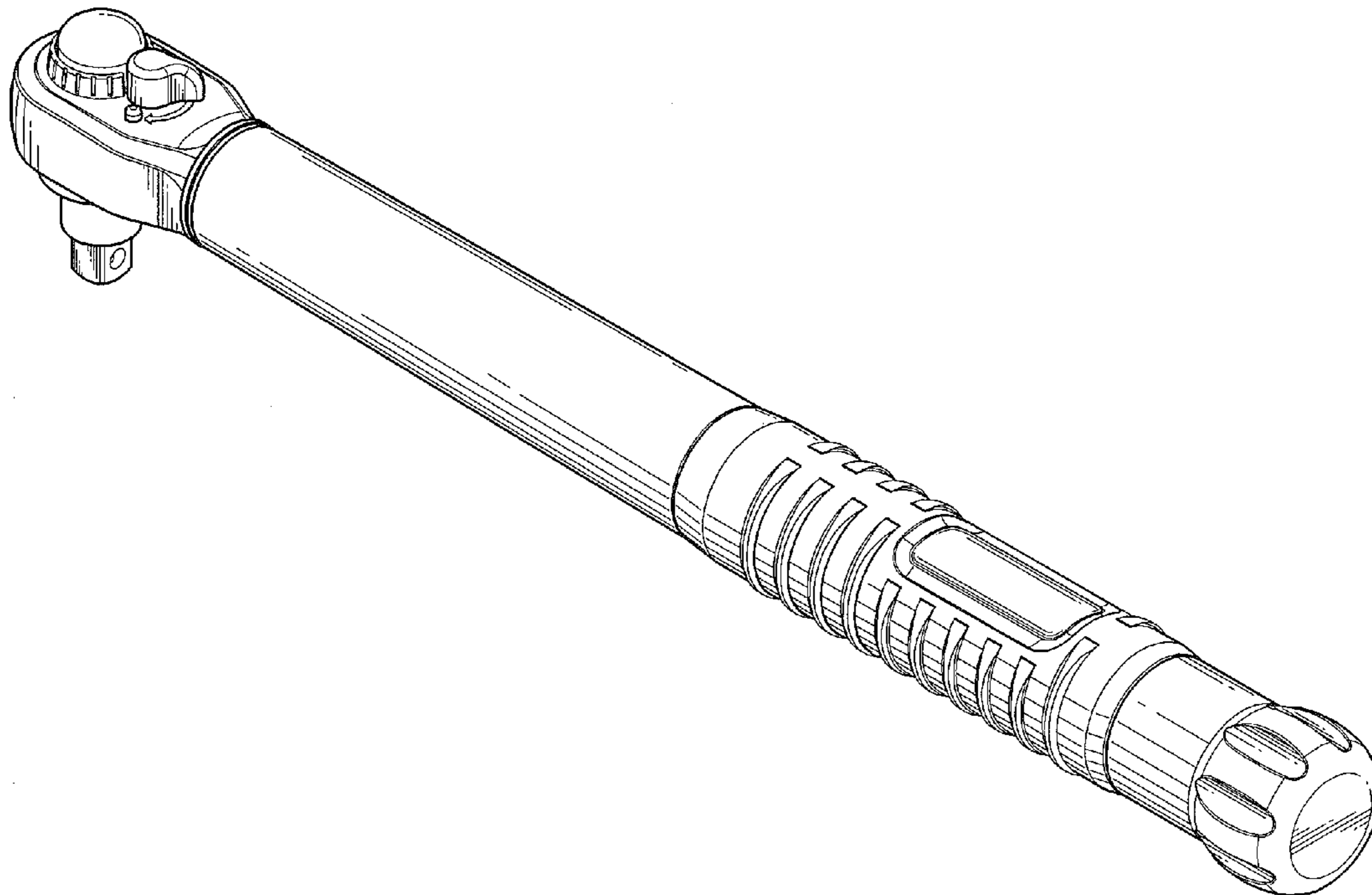
FIG. 1 is a perspective view of a torsion wrench showing my new design;
FIG. 2 is a front view thereof;
FIG. 3 is a rear view thereof;
FIG. 4 is a left view thereof;
FIG. 5 is a right view thereof;
FIG. 6 is a top view thereof; and,
FIG. 7 is a bottom view thereof.

USPC **D8/24**

(58) **Field of Classification Search**

USPC D8/24, 61, 107, 25; 73/862.22, 862.23,
73/862.331-962.335; 81/467, 469, 479,
81/480-483, 57, 39; 464/25, 35

1 Claim, 4 Drawing Sheets



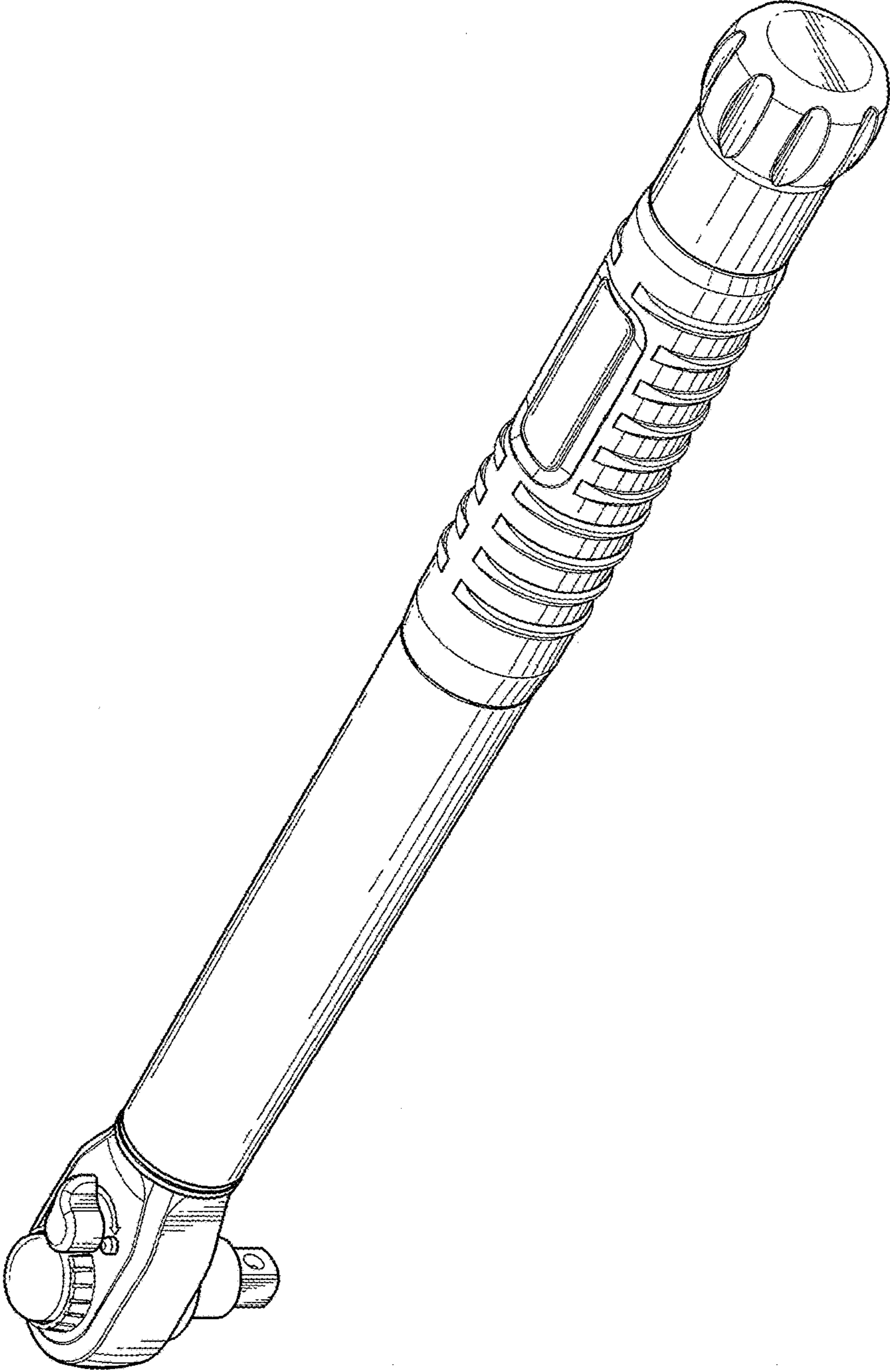


FIG. 1

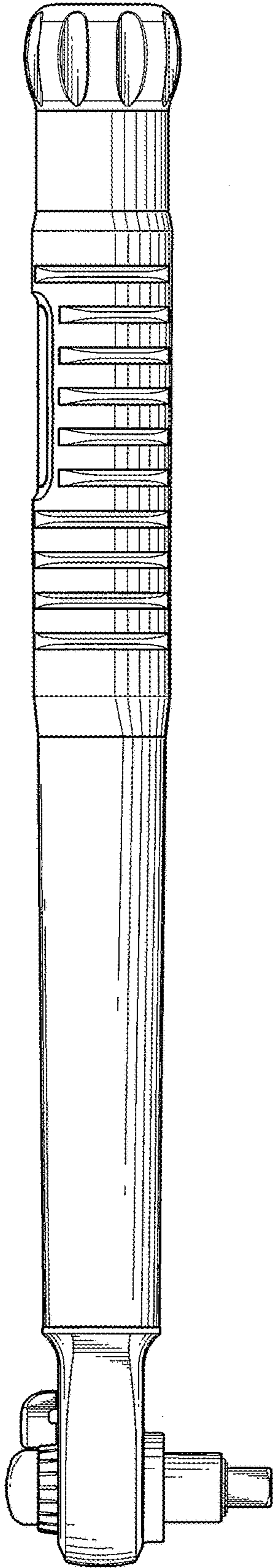


FIG. 2

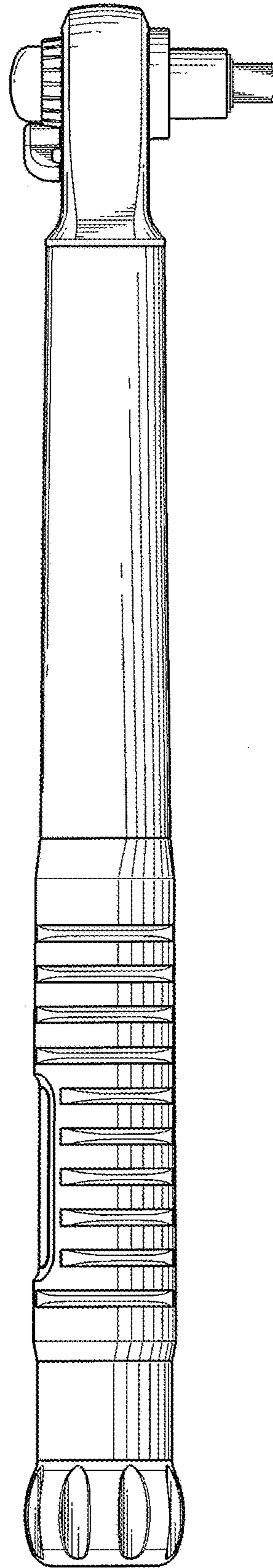


FIG. 3

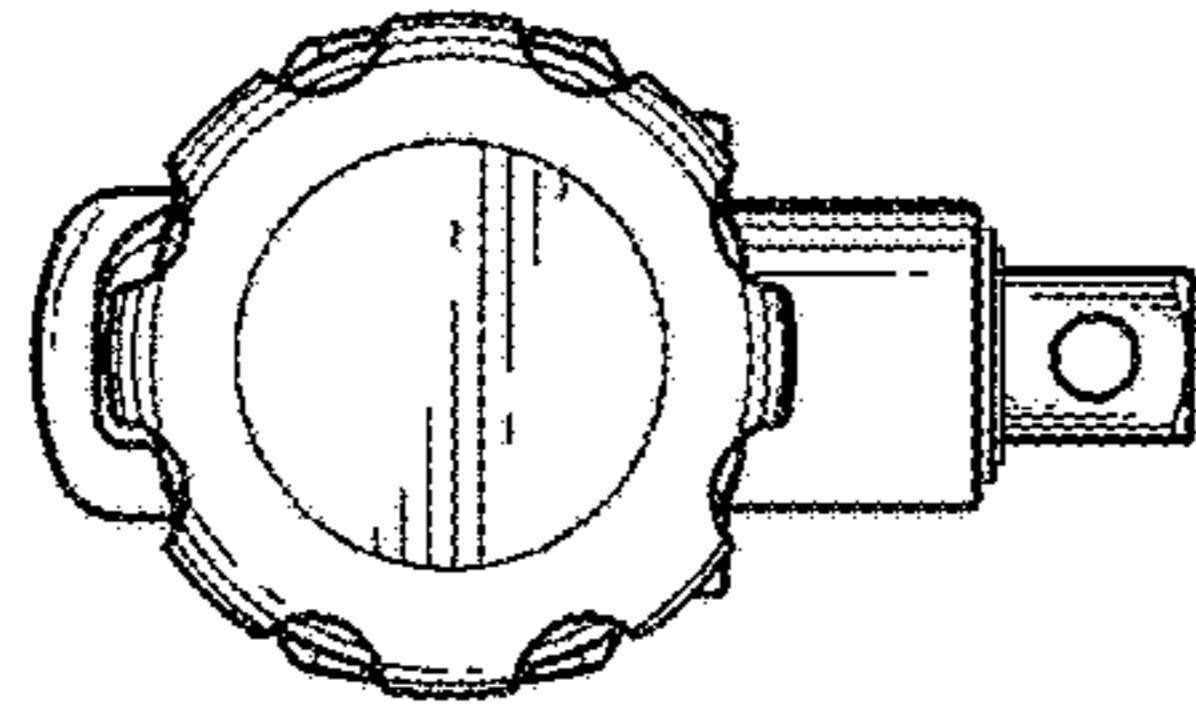


FIG. 5

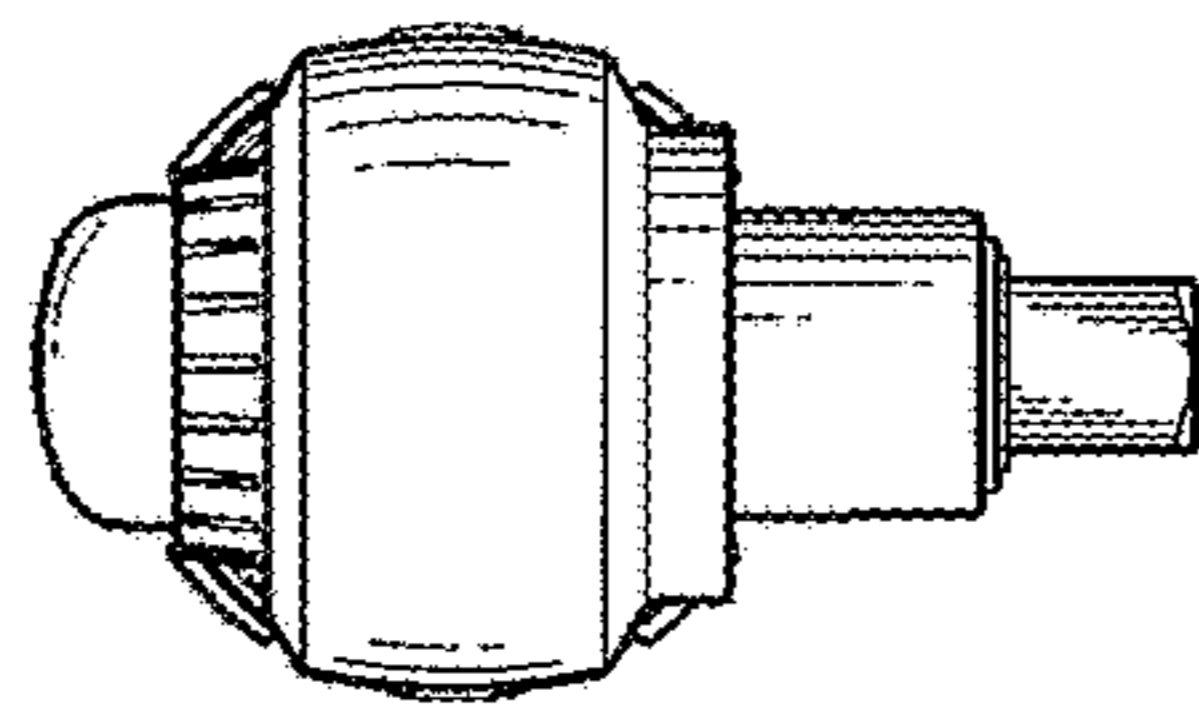


FIG. 4

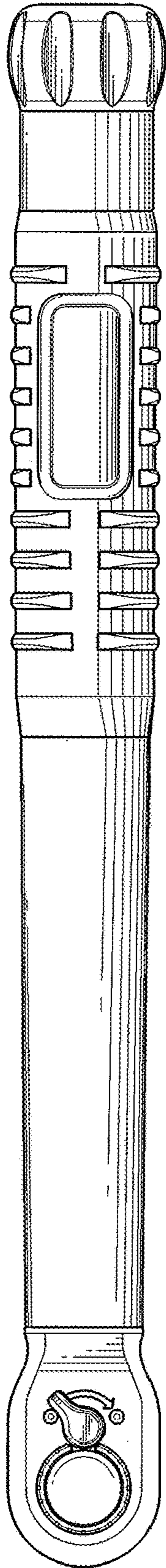


FIG. 6

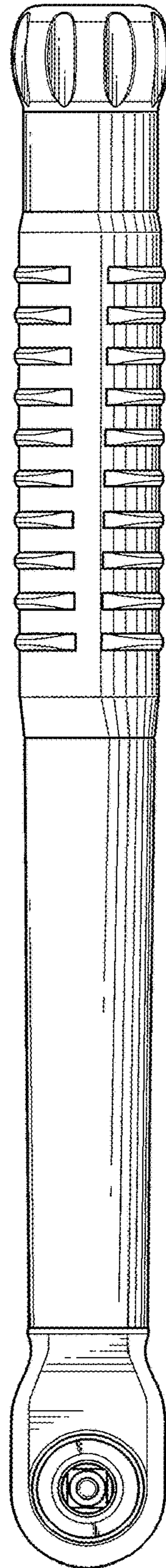


FIG. 7