

US00D833840S

(12) **United States Design Patent** (10) **Patent No.:** **US D833,840 S**
Cantor (45) **Date of Patent:** **** Nov. 20, 2018**

(54) **BOTTLE OPENER**

(71) Applicant: **Claire Cantor**, Birmingham, MI (US)

(72) Inventor: **Claire Cantor**, Birmingham, MI (US)

(**) Term: **15 Years**

(21) Appl. No.: **29/604,236**

(22) Filed: **May 16, 2017**

(51) **LOC (11) Cl.** **08-05**

(52) **U.S. Cl.**
USPC **D8/19**

(58) **Field of Classification Search**
USPC ... D8/16, 19, 17, 18, 21, 33, 34, 35, 40, 43,
D8/105; D2/743, 853; D11/212
(Continued)

(56) **References Cited**

U.S. PATENT DOCUMENTS

4,633,740 A * 1/1987 Jacobs B67B 7/16
7/151
D303,345 S * 9/1989 Sawatsky D8/40
(Continued)

OTHER PUBLICATIONS

Vento Bottle Opener, posted unknown, [retrieved Jun. 21, 2018].
Retrieved from Internet, <URL: <http://shop.sempli.com/product/vento-bottle-opener> >.*

(Continued)

Primary Examiner — Barbara Fox
Assistant Examiner — Kristin E Reed
(74) *Attorney, Agent, or Firm* — Brooks Kushman P.C.

(57) **CLAIM**

The ornamental design for a bottle opener, as shown and described.

DESCRIPTION

FIG. 1 is a first, front perspective view of a bottle opener, in a first embodiment, showing my new design;

FIG. 2 is a front elevation view of the bottle opener of FIG. 1;
FIG. 3 is a right side elevation view of the bottle opener of FIG. 1;
FIG. 4 is a rear elevation view of the bottle opener of FIG. 1;
FIG. 5 is a left side elevation view of the bottle opener of FIG. 1;
FIG. 6 is a top plan view of the bottle opener of FIG. 1;
FIG. 7 is a rear perspective view of the bottle opener of FIG. 1;
FIG. 8 is a bottom plan view of the bottle opener of FIG. 1;
FIG. 9 is a second front perspective view of the bottle opener of FIG. 1;
FIG. 10 is a first, front perspective view of the bottle opener, in a second embodiment, showing my new design;
FIG. 11 is a front elevation view of the bottle opener of FIG. 10;
FIG. 12 is a right side elevation view of the bottle opener of FIG. 10;
FIG. 13 is a rear elevation view of the bottle opener of FIG. 10;
FIG. 14 is a left side elevation view of the bottle opener of FIG. 10;
FIG. 15 is a top plan view of the bottle opener of FIG. 10;
FIG. 16 is a rear perspective view of the bottle opener of FIG. 10;
FIG. 17 is a bottom plan view of the bottle opener of FIG. 10;
FIG. 18 is a second front perspective view of the bottle opener of FIG. 10;
FIG. 19 is a first, front perspective view of the bottle opener, in a third embodiment, showing my new design;
FIG. 20 is a front elevation view of the bottle opener of FIG. 19;
FIG. 21 is a right side elevation view of the bottle opener of FIG. 19;
FIG. 22 is a rear elevation view of the bottle opener of FIG. 19;
FIG. 23 is a left side elevation view of the bottle opener of FIG. 19;
FIG. 24 is a top plan view of the bottle opener of FIG. 19;
FIG. 25 is a rear perspective view of the bottle opener of FIG. 19;

(Continued)

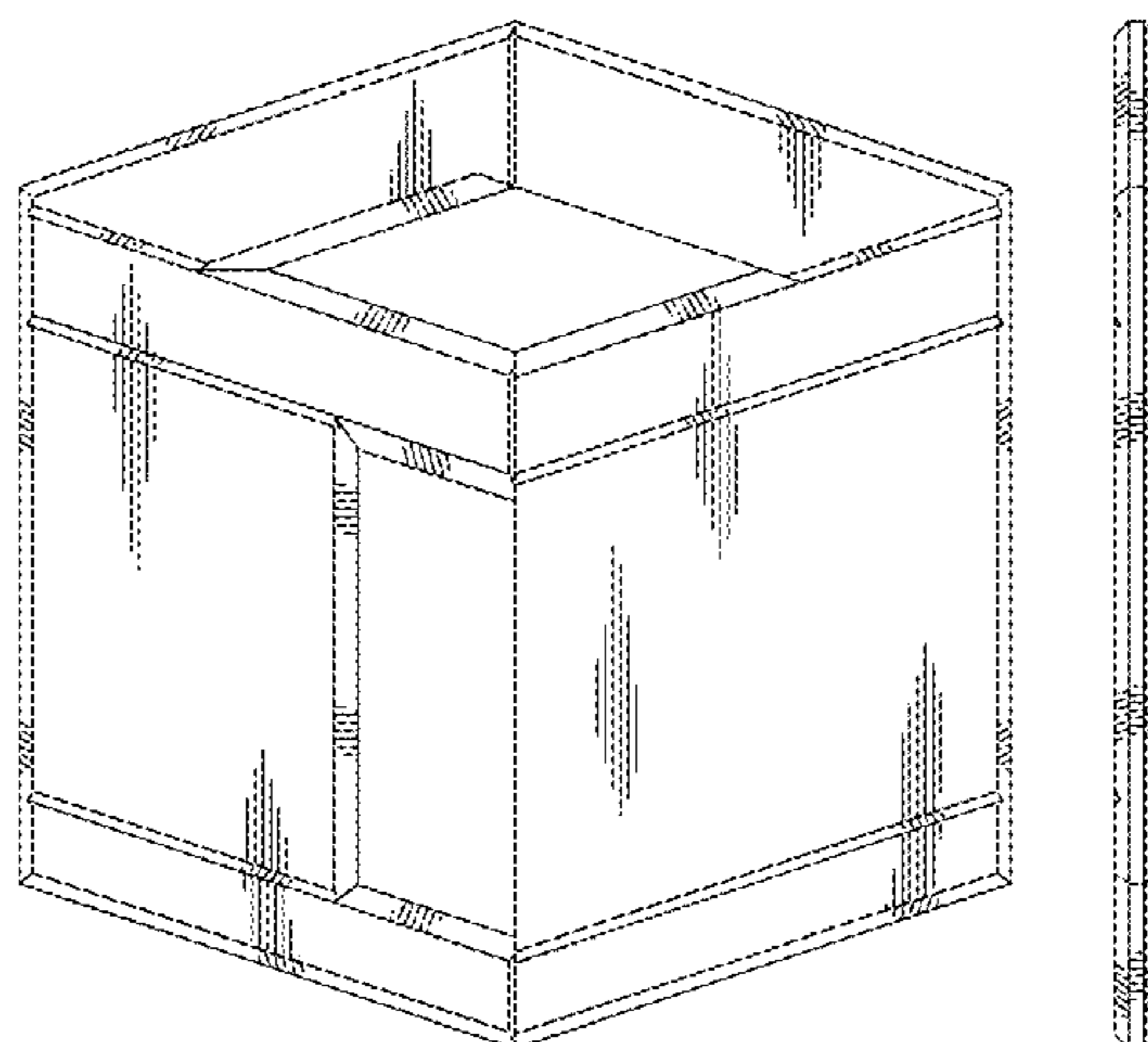


FIG. 26 is a bottom plan view of the bottle opener of FIG. 19; and,

FIG. 27 is a second front perspective view of the bottle opener of FIG. 19.

The broken lines shown in in the drawings depict portions of the bottle opener that form no part of the claimed design.

1 Claim, 12 Drawing Sheets

(58) Field of Classification Search

CPC .. A45F 2200/0575; B25B 13/54; B25F 5/027;
F16G 13/16; F16L 33/02; F16L 33/22;
F16L 35/00

See application file for complete search history.

(56) References Cited

U.S. PATENT DOCUMENTS

5,090,277	A *	2/1992	Spiller	A43B 1/0027 254/131
D386,857	S *	11/1997	Lawrence	D32/35
6,009,584	A *	1/2000	Padden	A46B 7/023 15/201
D435,408	S *	12/2000	Panfili	D8/105
D449,211	S *	10/2001	Jean	D10/62
D462,000	S *	8/2002	Hightower	D8/40

D494,894	S *	8/2004	Carlson	D12/160
6,857,757	B2 *	2/2005	Parsons	A44B 15/00 362/116
D609,985	S *	2/2010	DeBow	D8/17
D687,693	S *	8/2013	Caudle	D8/40
D688,348	S *	8/2013	Christenson	D22/117
D710,179	S *	8/2014	Thomas	D8/105
RE45,657	E *	8/2015	Cho	D24/215
D772,678	S *	11/2016	Haarburger	D8/105
D799,301	S *	10/2017	Cetera	D8/105
D810,181	S *	2/2018	Szarawarski	D16/243
D817,196	S *	5/2018	Haarburger	D10/64

OTHER PUBLICATIONS

D'Addario Hex Bottle Opener, posted Mar. 31, 2014, [retrieved Jun. 21, 2018]. Retrieved from Internet, <URL: <https://www.amazon.com/DAddario-DF128-Hex-Bottle-Opener/dp/B00Z0MDUBY> >.*
Wingoo Stainless Steel Quickdraw Carabiner with Bottle Opener Rope Cutter Hexagon Wrench Anti-lost Key Chain Multifunctional EDC Tool, posted Nov. 7, 2017, [retrieved Jun. 21, 2018]. Retrieved from Internet, <URL: <https://www.amazon.com/WINGOO-Stainless-Quickdraw-Carabiner-Multifunctional/dp/B075XMWYQZ> >.*
Tactica One Bottle Opener by Tactica, Product Code: TACTIM001, posted unknown, [retrieved Jun. 21, 2018]. Retrieved from Internet <URL: <https://www.aspectsofkingspark.com.au/homewares/tactica-one-bottle-opener-1186.htm> >.*

* cited by examiner

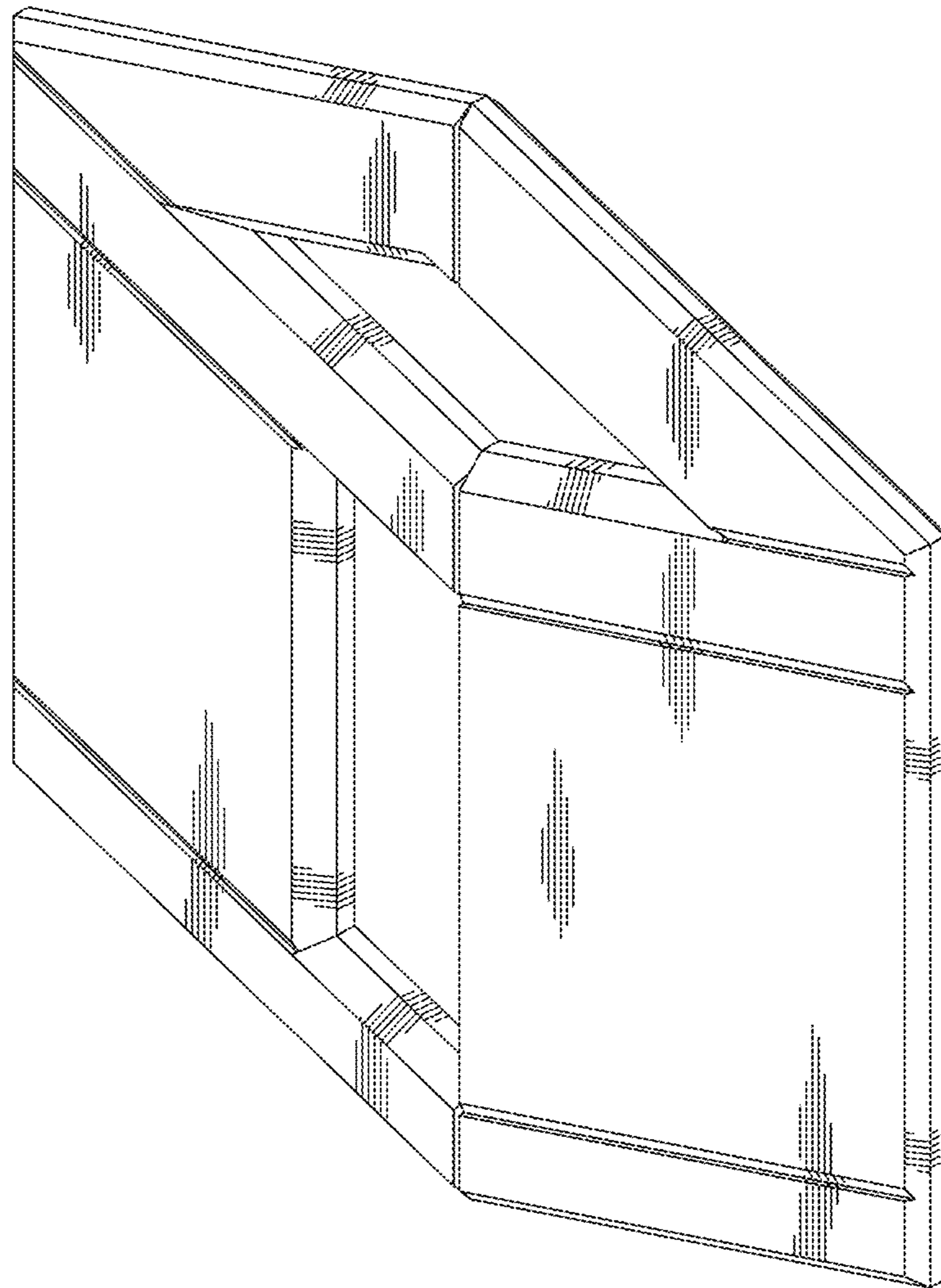


FIG. 1

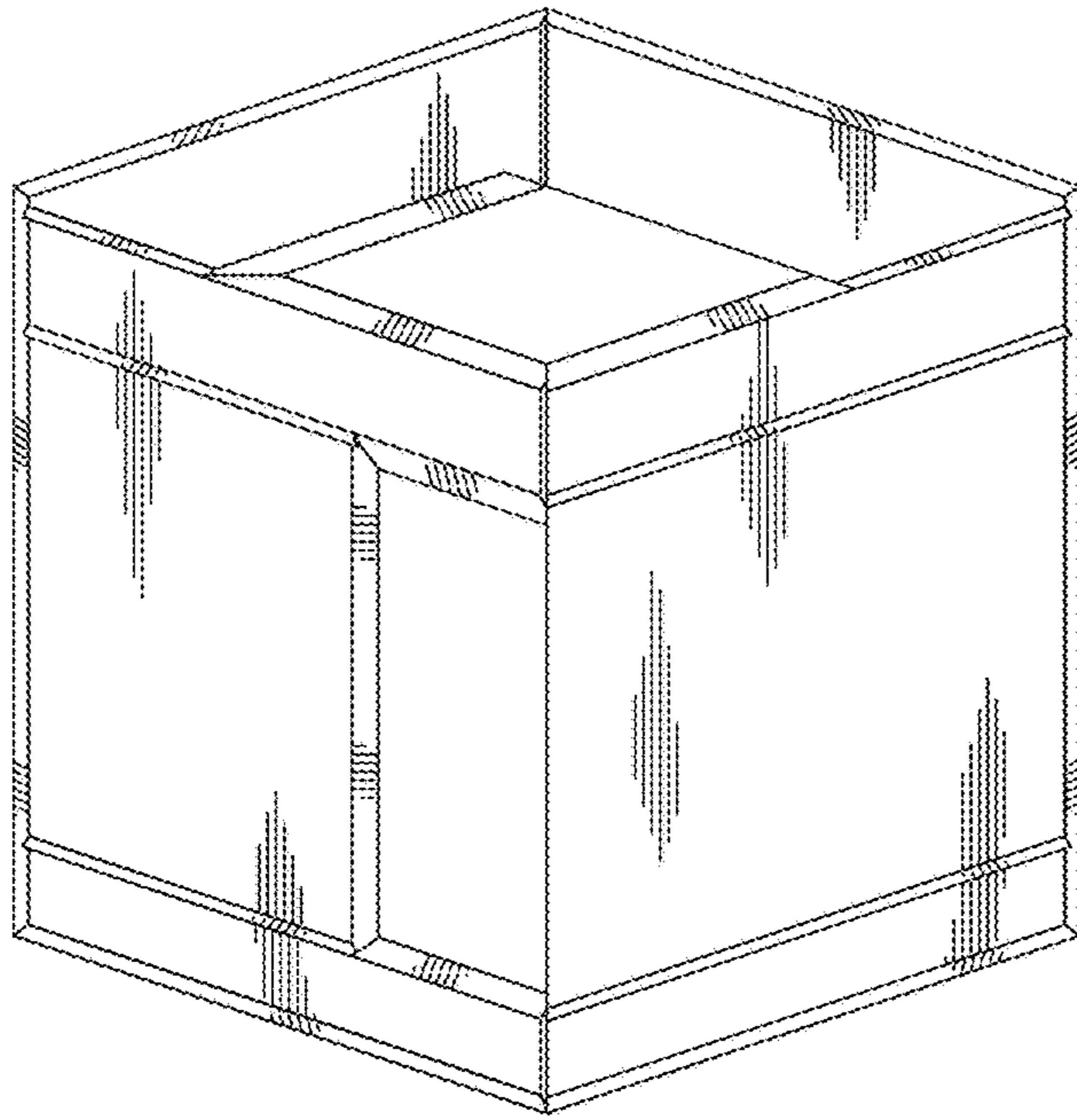


FIG. 2



FIG. 3

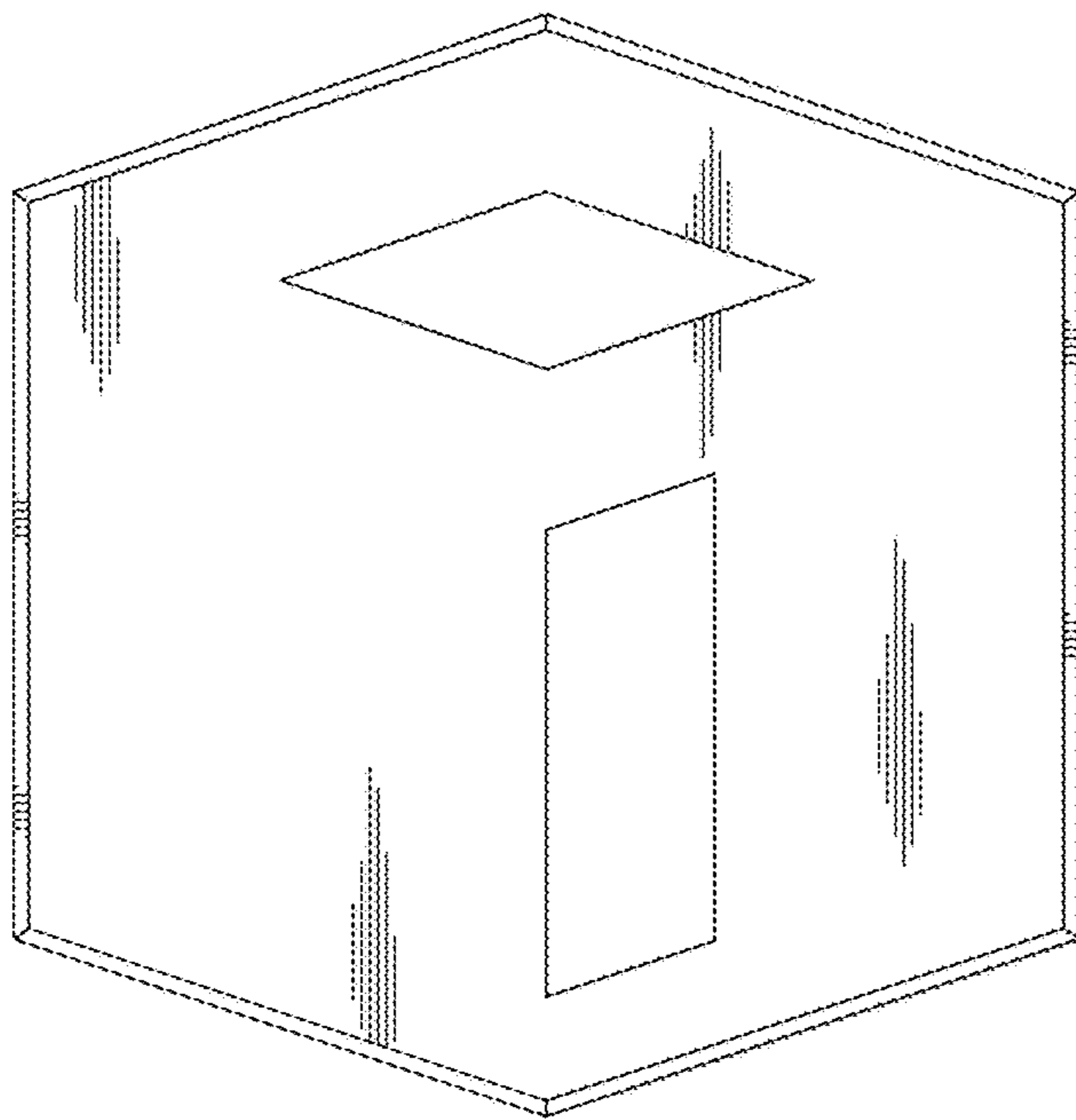


FIG. 4



FIG. 5

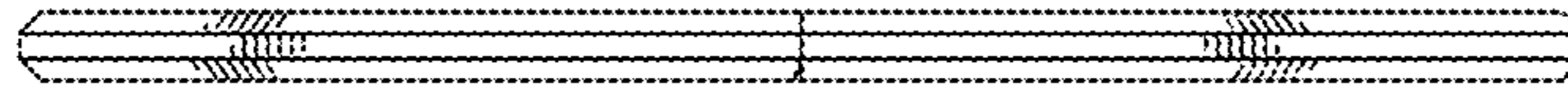


FIG. 6

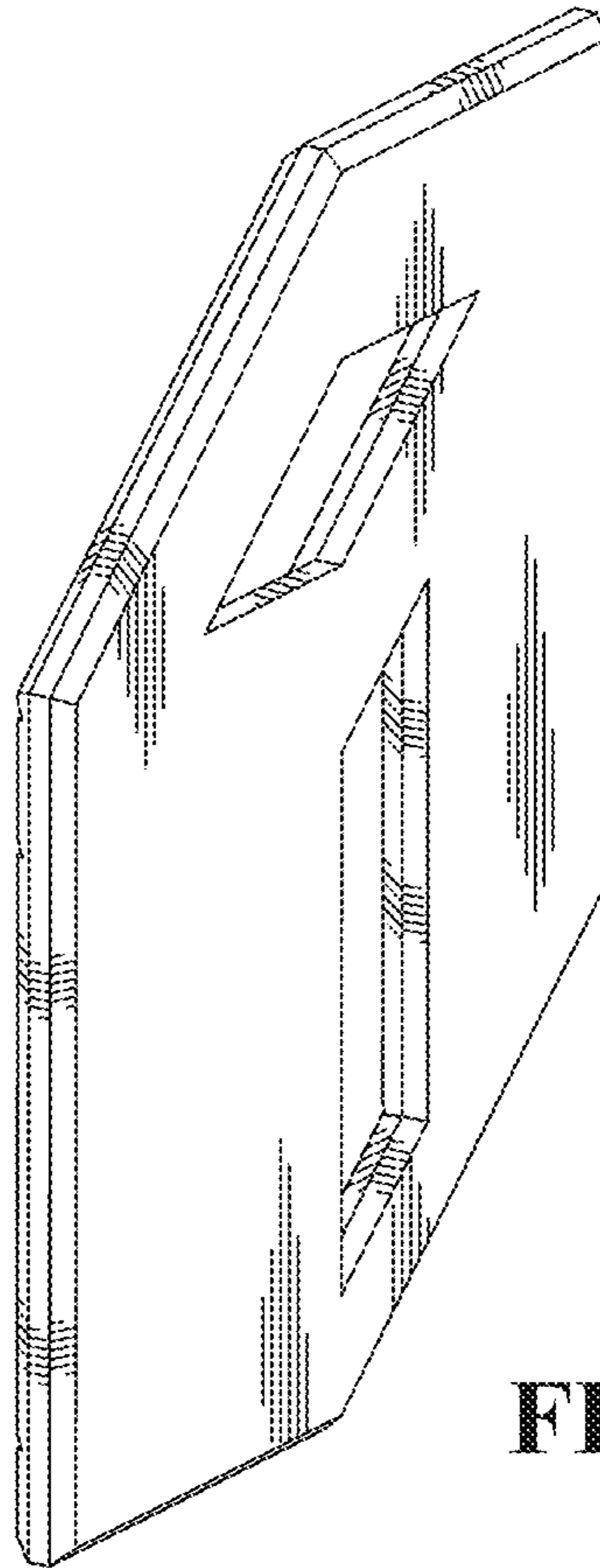


FIG. 7

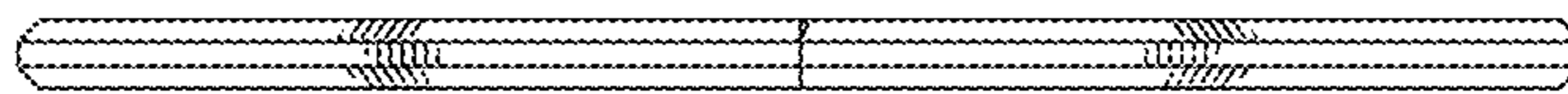


FIG. 8

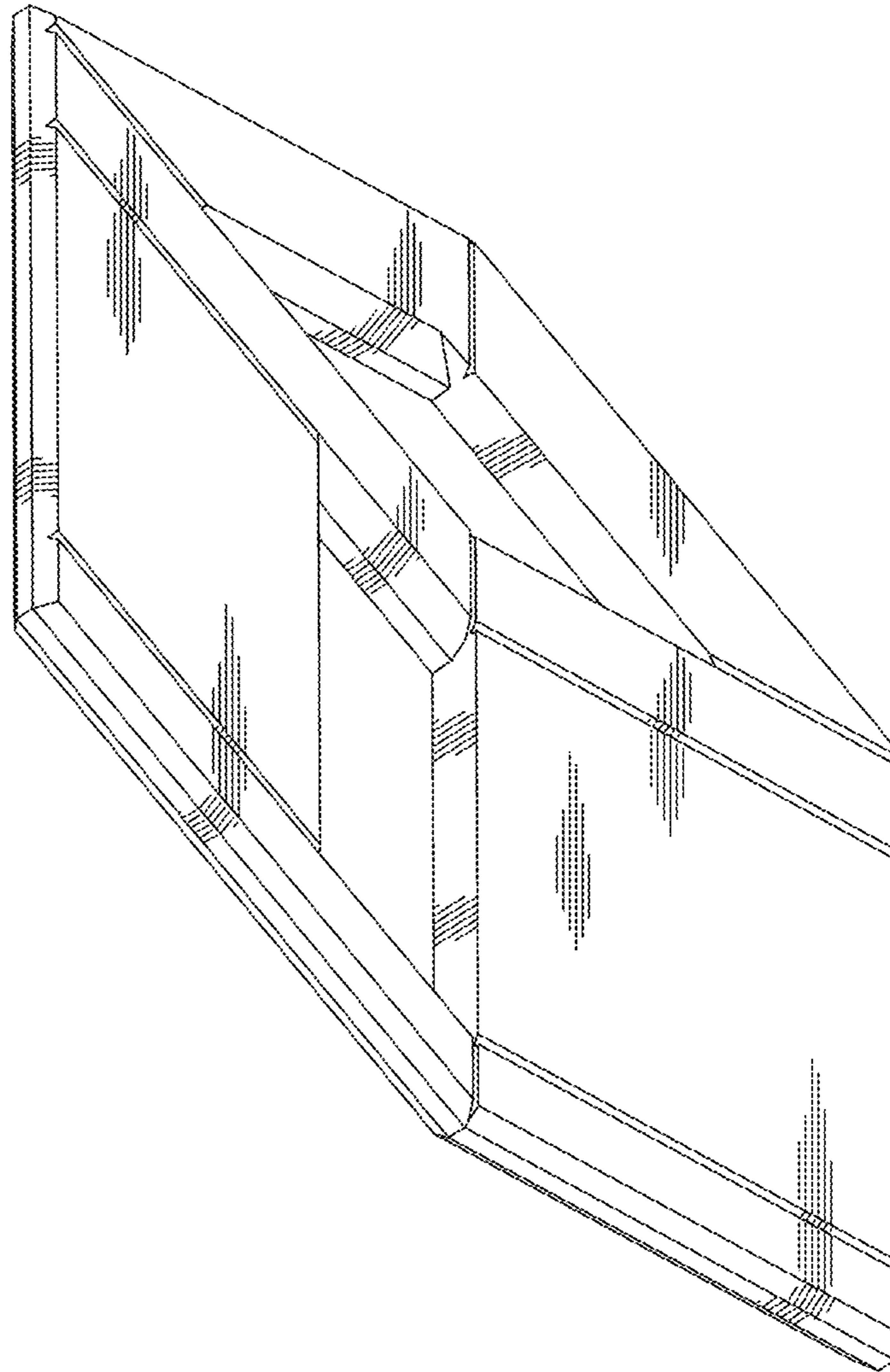


FIG. 9

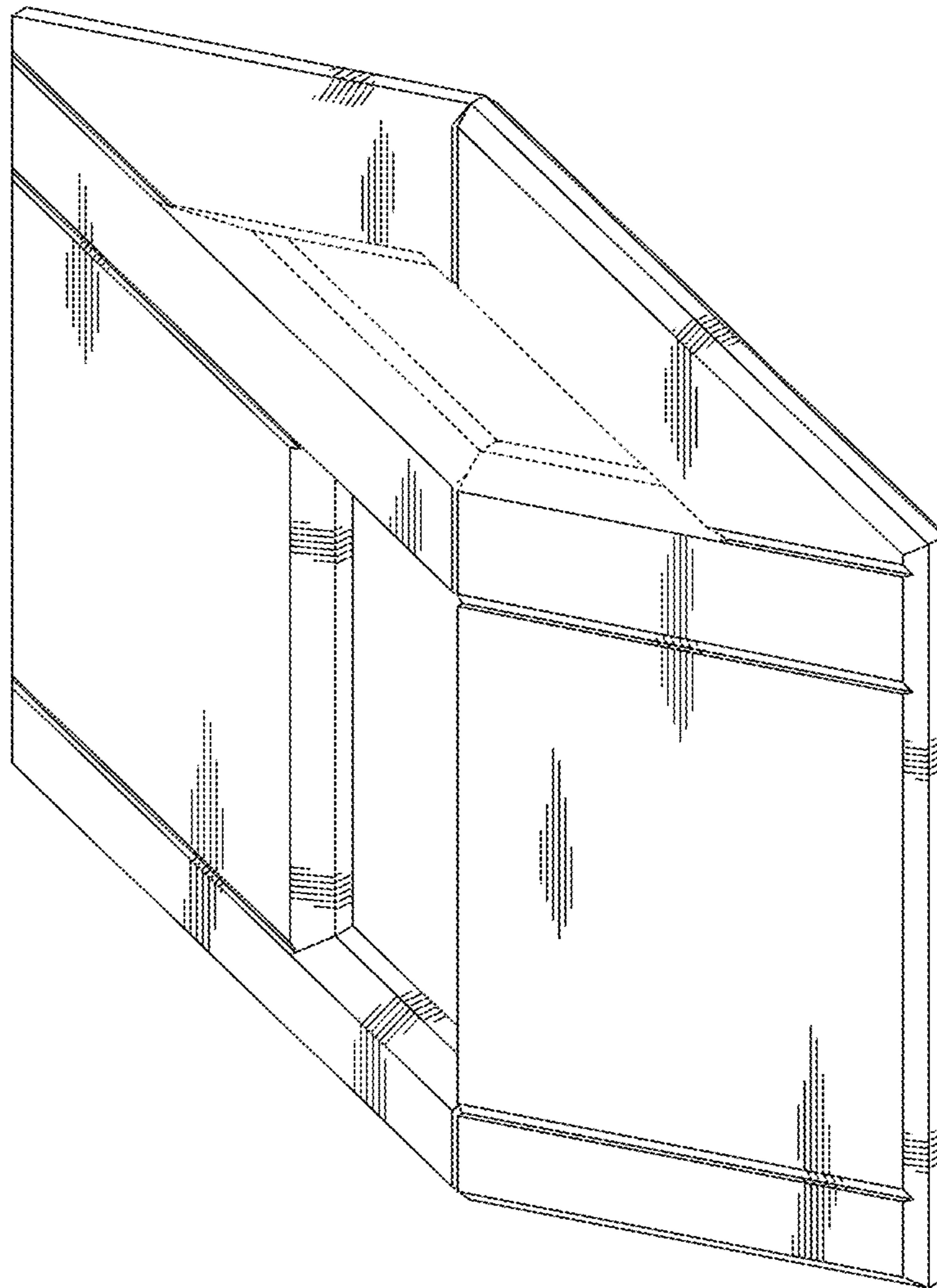


FIG. 10

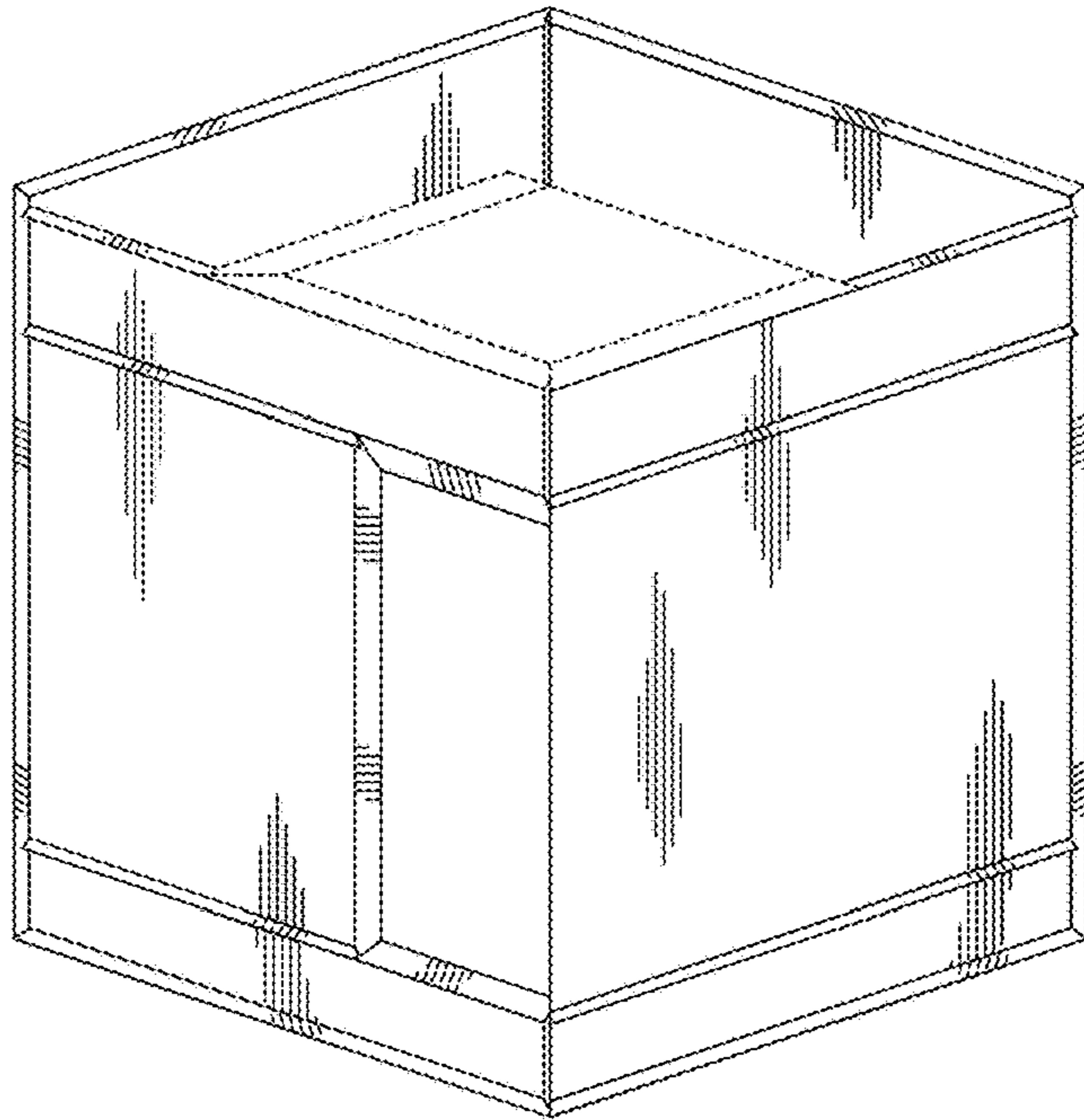


FIG. 11

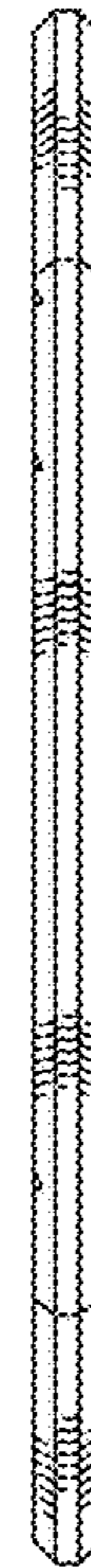


FIG. 12

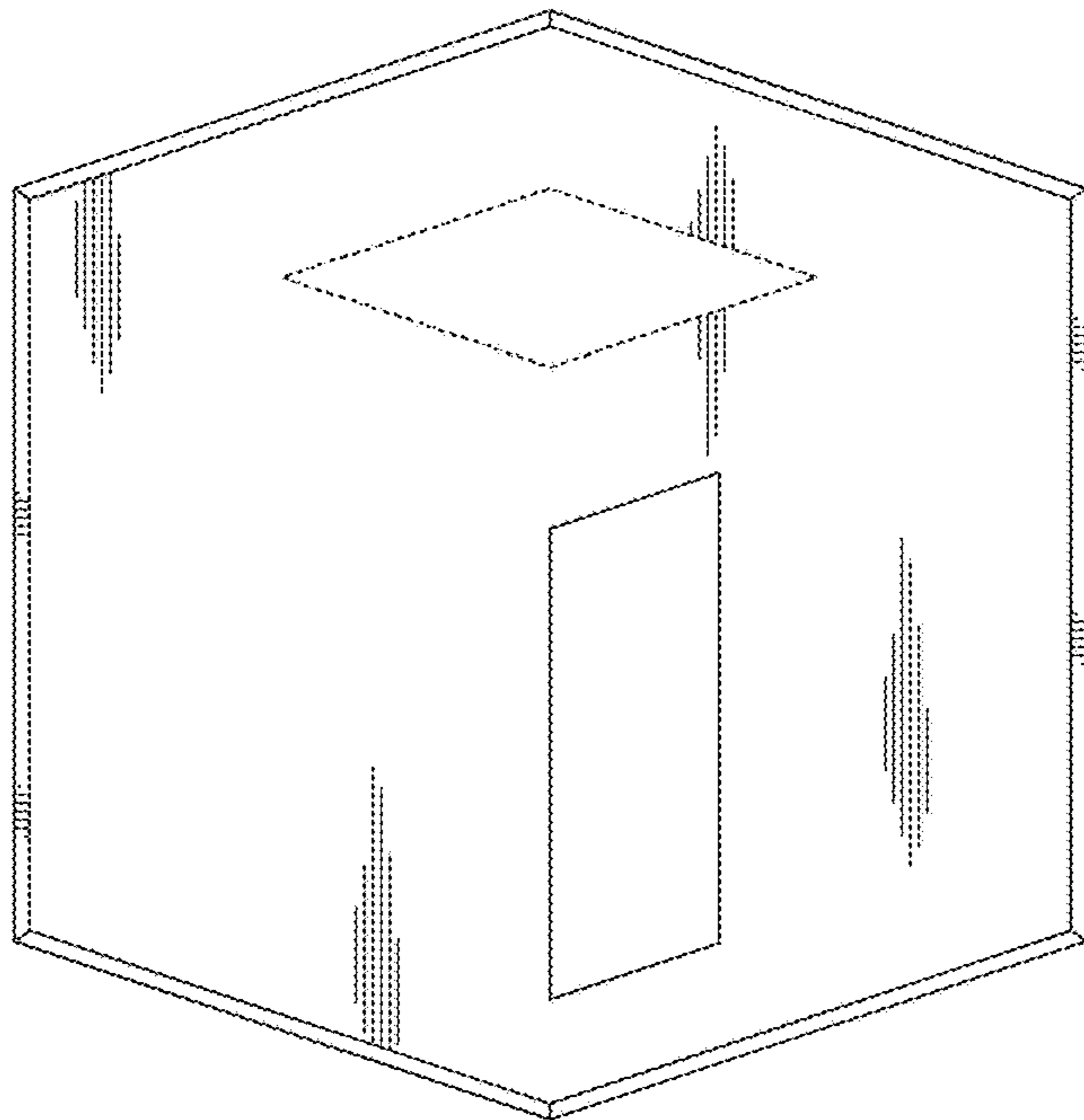


FIG. 13

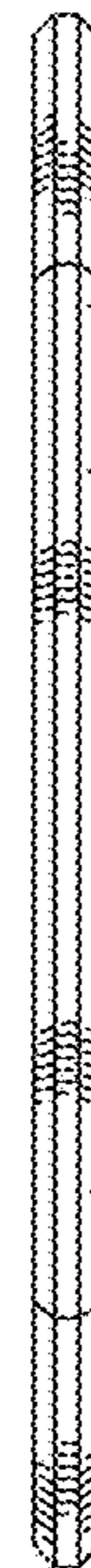


FIG. 14

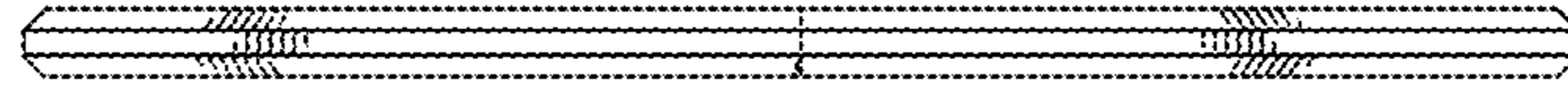


FIG. 15

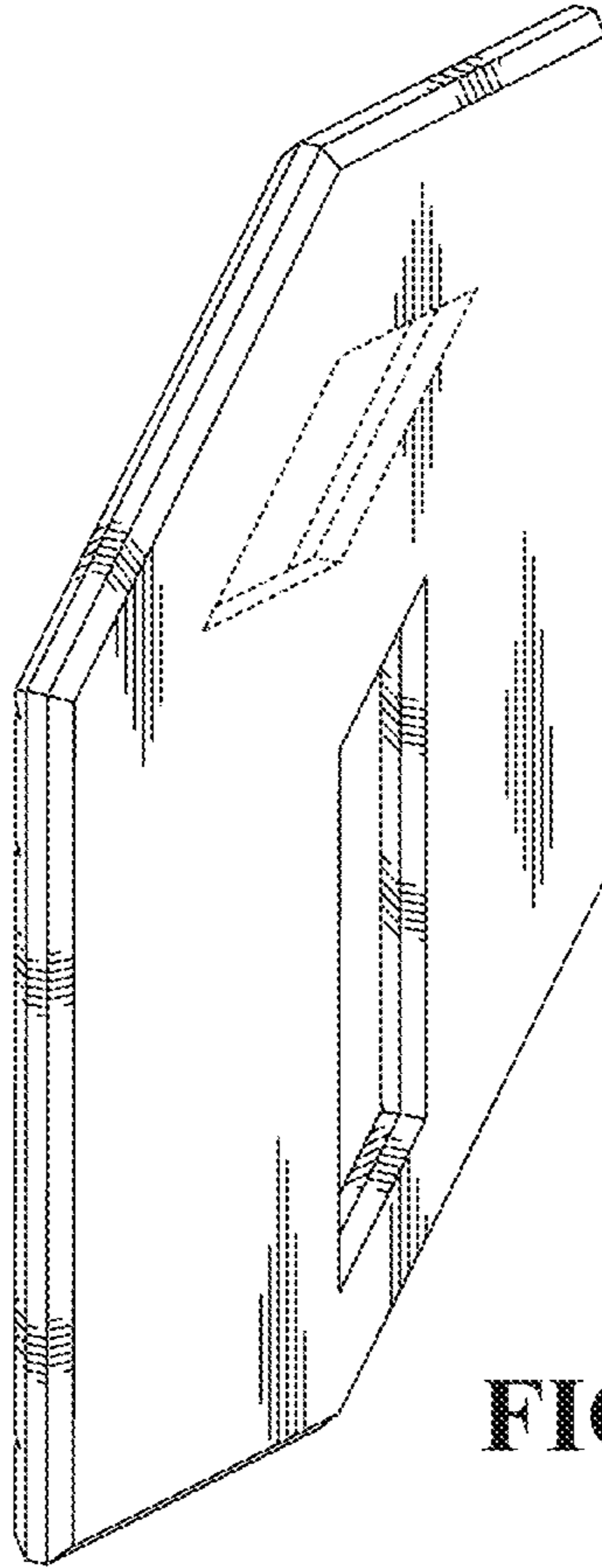


FIG. 16

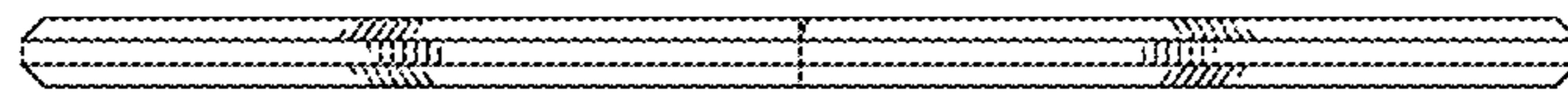


FIG. 17

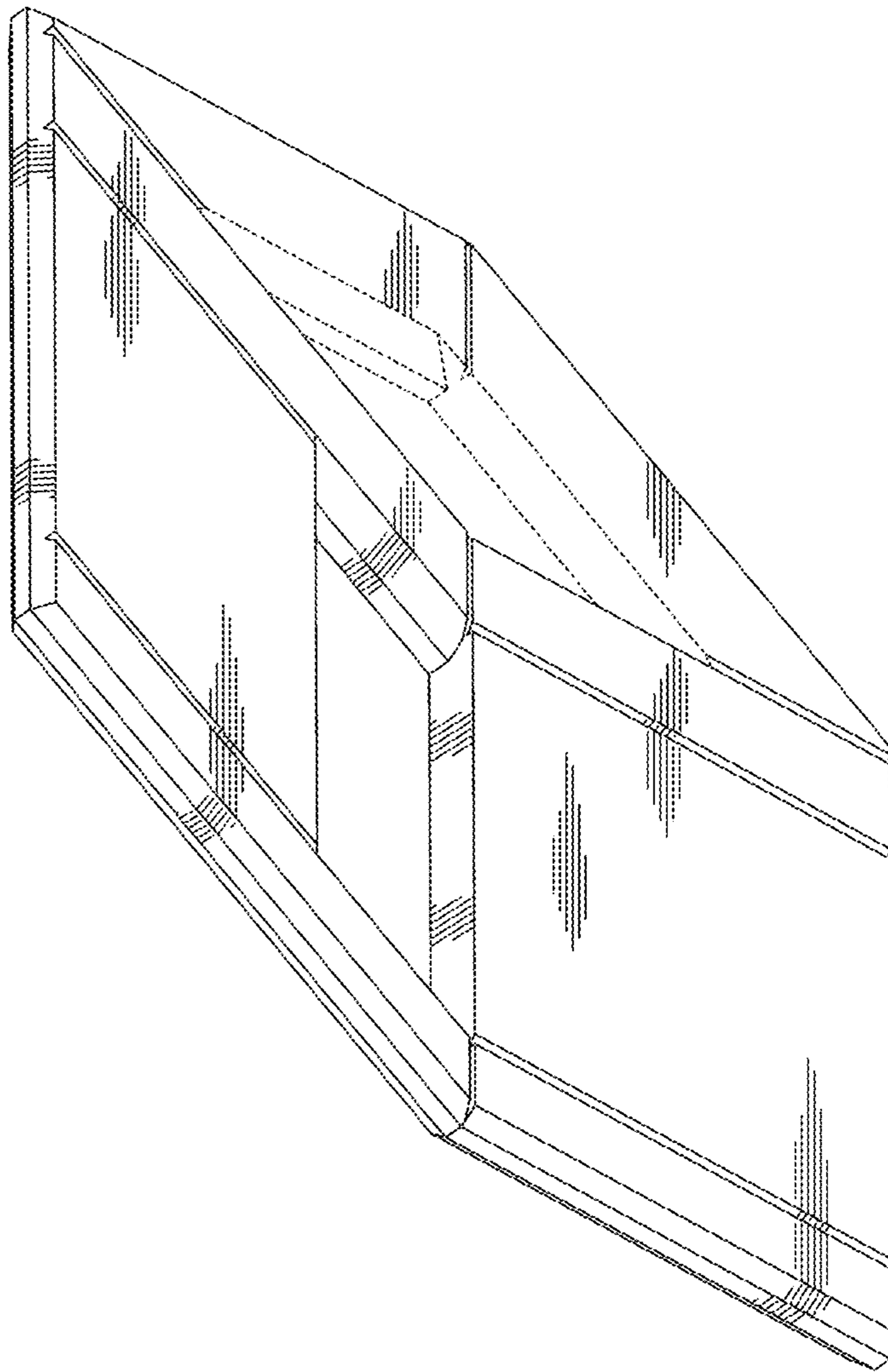


FIG. 18

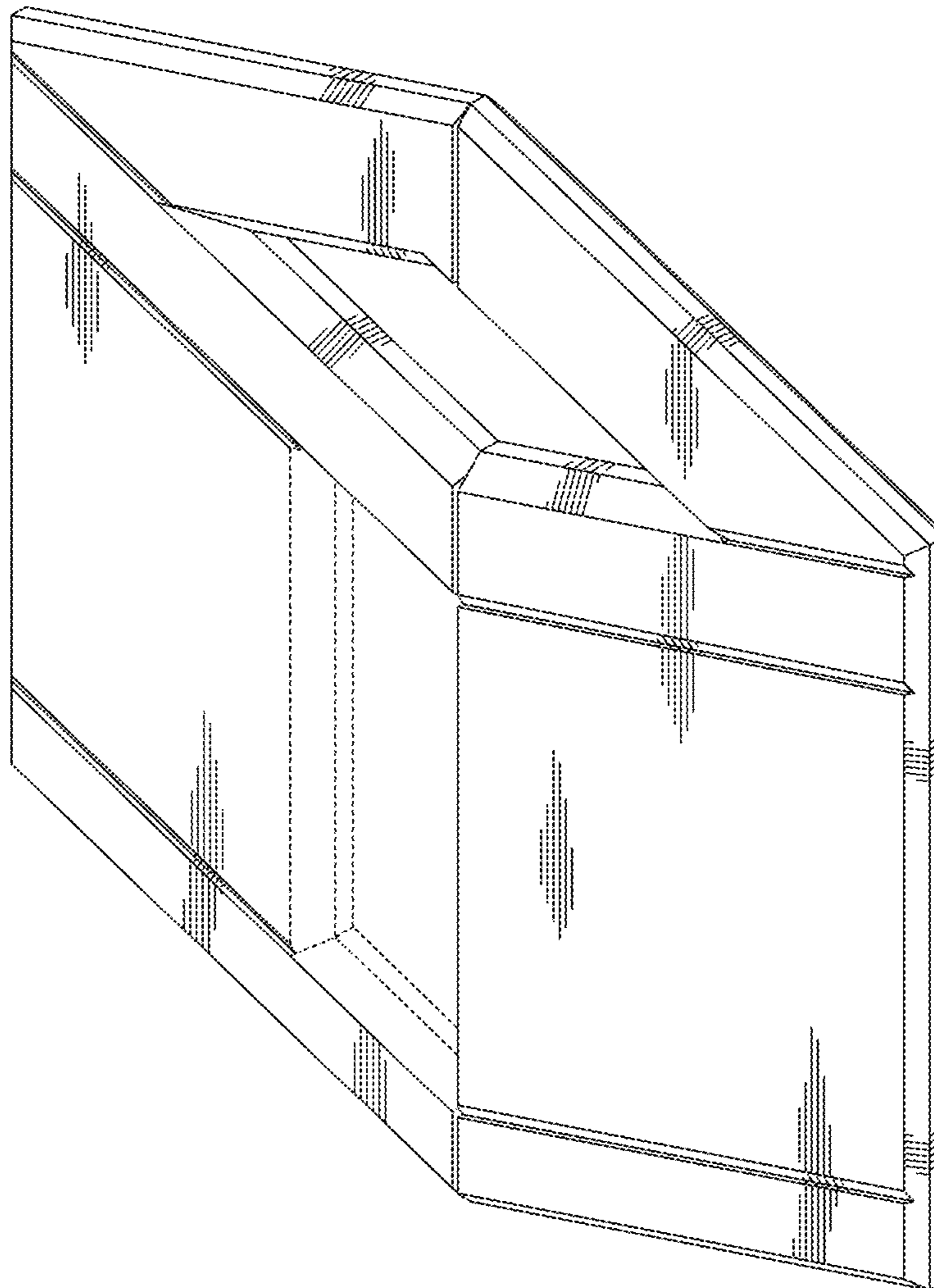


FIG. 19

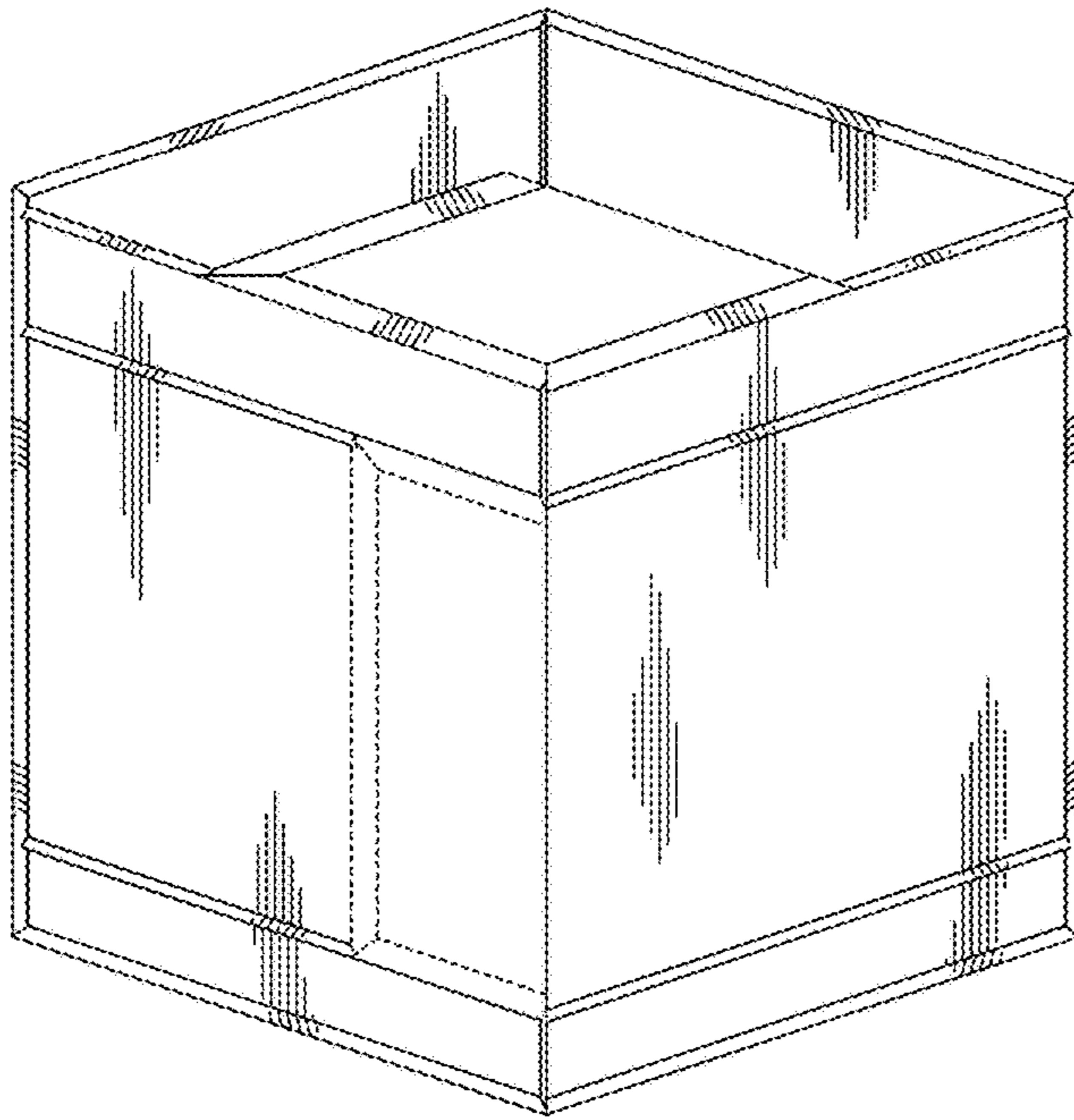


FIG. 20

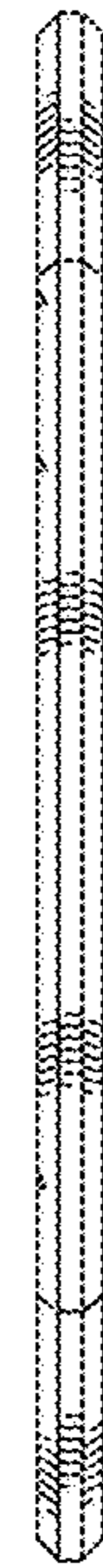


FIG. 21

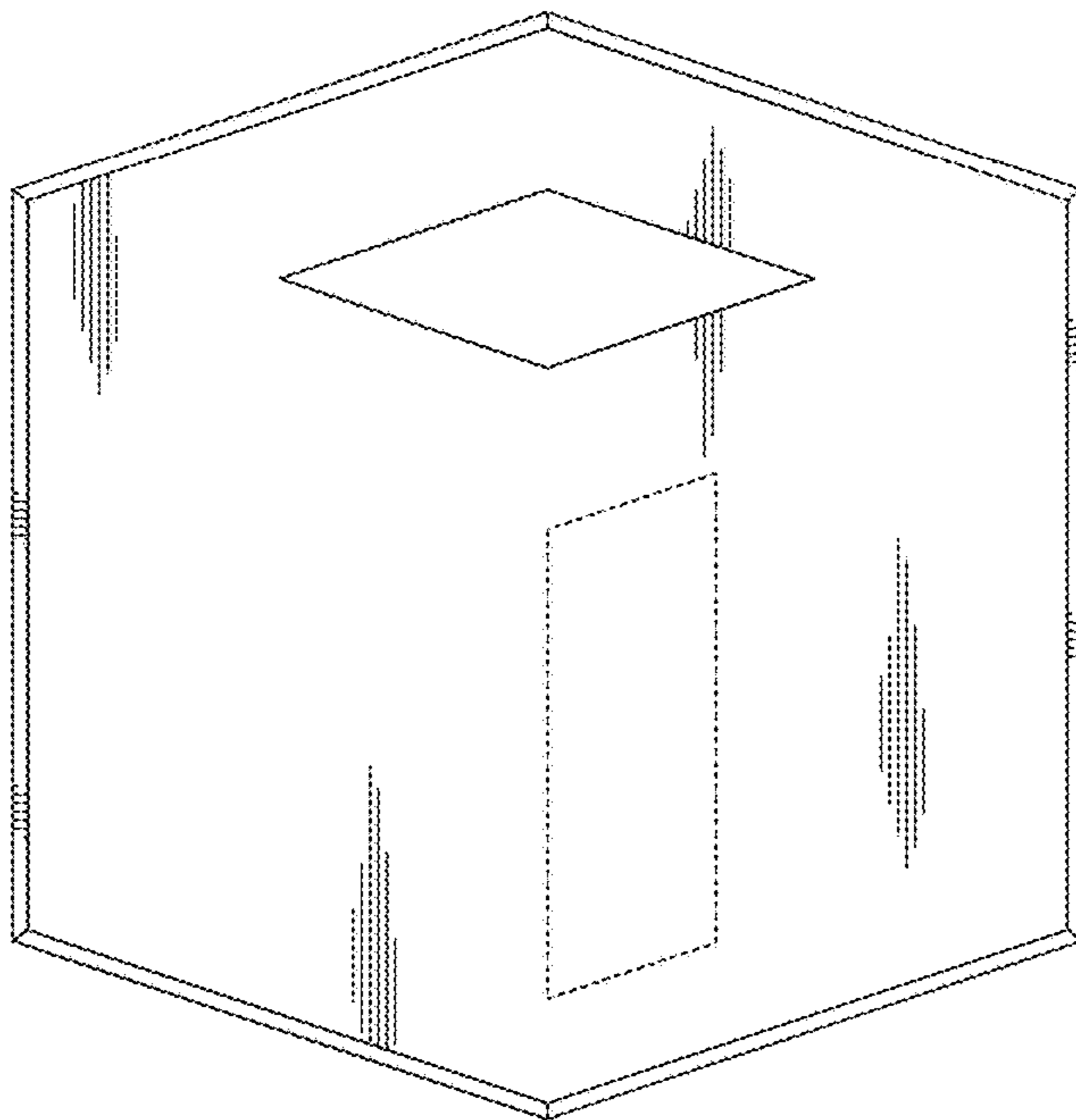


FIG. 22

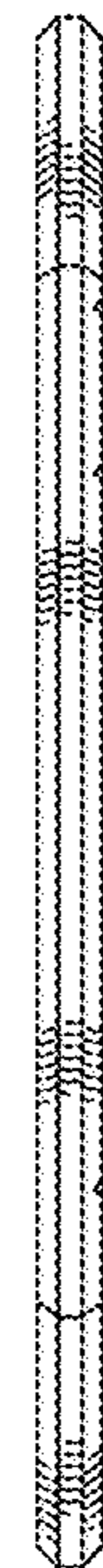


FIG. 23

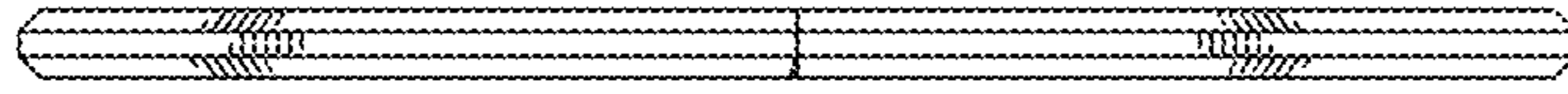


FIG. 24

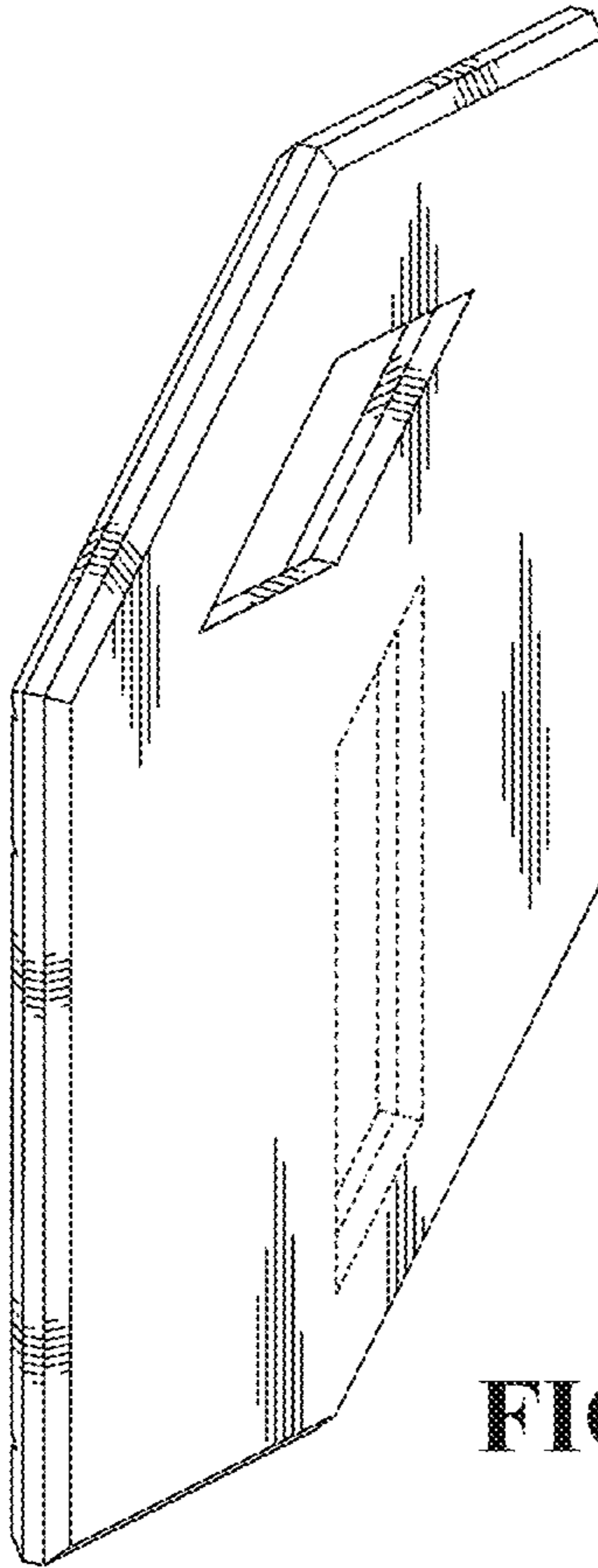


FIG. 25

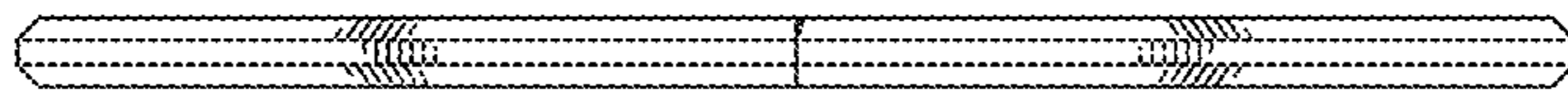


FIG. 26

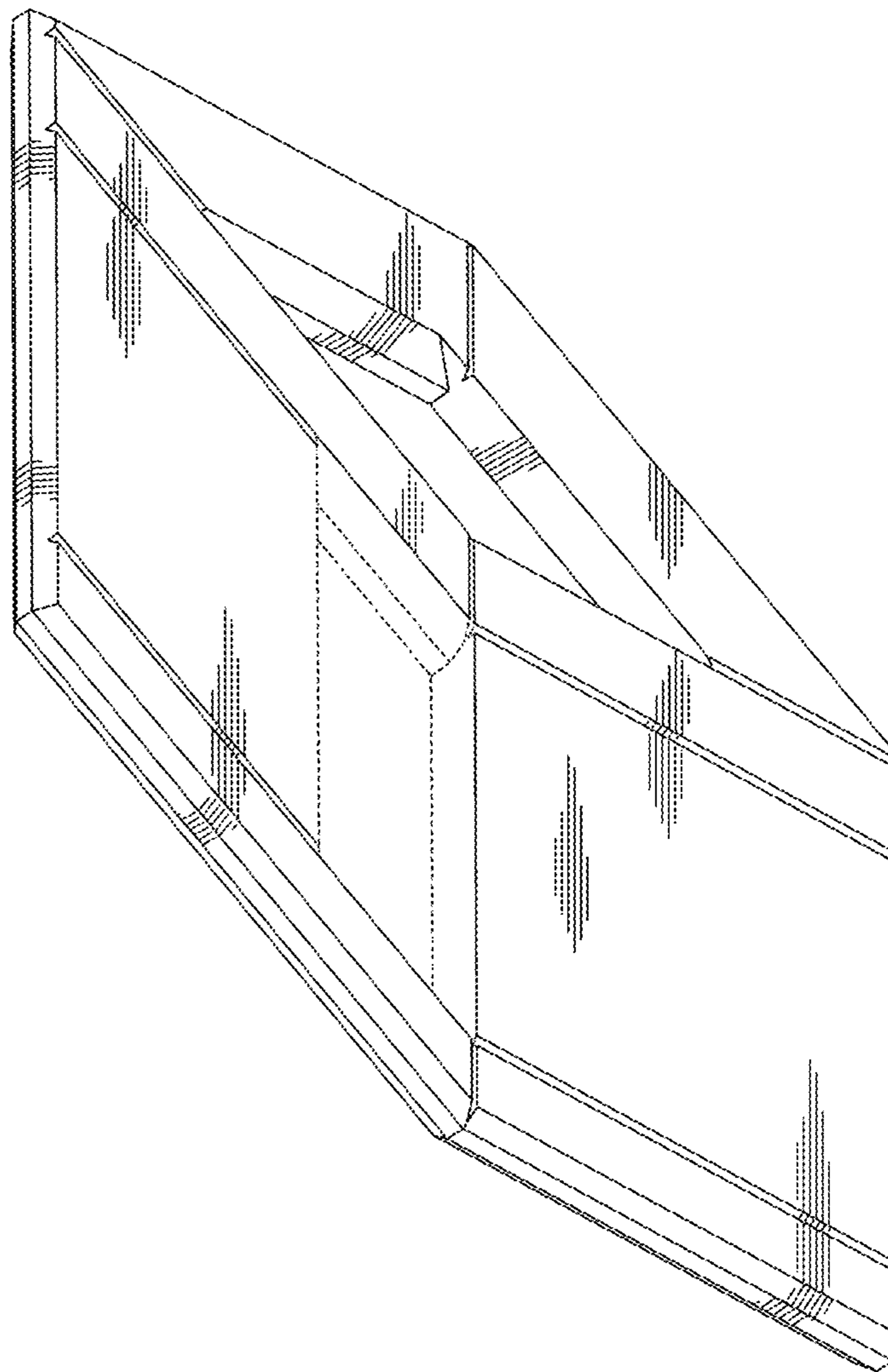


FIG. 27