



US00D833839S

(12) **United States Design Patent**
Scano

(10) **Patent No.:** **US D833,839 S**

(45) **Date of Patent:** **** Nov. 20, 2018**

(54) **BOAT PLUG WRENCH**

(71) Applicant: **Jeffrey J. Scano**, Fort Collins, CO (US)

(72) Inventor: **Jeffrey J. Scano**, Fort Collins, CO (US)

(73) Assignee: **ELITE ENGINEERING LLC**,
Loveland, CO (US)

(**) Term: **15 Years**

(21) Appl. No.: **29/624,105**

(22) Filed: **Oct. 30, 2017**

(51) **LOC (11) Cl.** **08-05**

(52) **U.S. Cl.**
USPC **D8/17; D8/21**

(58) **Field of Classification Search**
USPC D8/17, 21-29; 81/60, 177.1, 177.85,
81/121.1, 124.3, 165-170, 110.1, 176.2,
81/124.6, 176.1, 176.15, 177.2; 16/110.1;
D15/144.1; 219/75, 227, 229, 121.16,
219/121.18
CPC B25B 13/00
See application file for complete search history.

(56) **References Cited**

U.S. PATENT DOCUMENTS

D176,005 S * 11/1955 Smith 81/124.4
5,806,380 A * 9/1998 Wilsey B25B 13/48
7/151

D434,622 S * 12/2000 Jaynes D8/17
D546,649 S * 7/2007 Jennings D8/21
8,607,668 B1 * 12/2013 Frank B67B 7/16
81/3.09
D755,592 S * 5/2016 Bullard D8/17
D781,674 S * 3/2017 Bullard D8/17

* cited by examiner

Primary Examiner — Randall H Gholson

(74) *Attorney, Agent, or Firm* — Colorado Patents

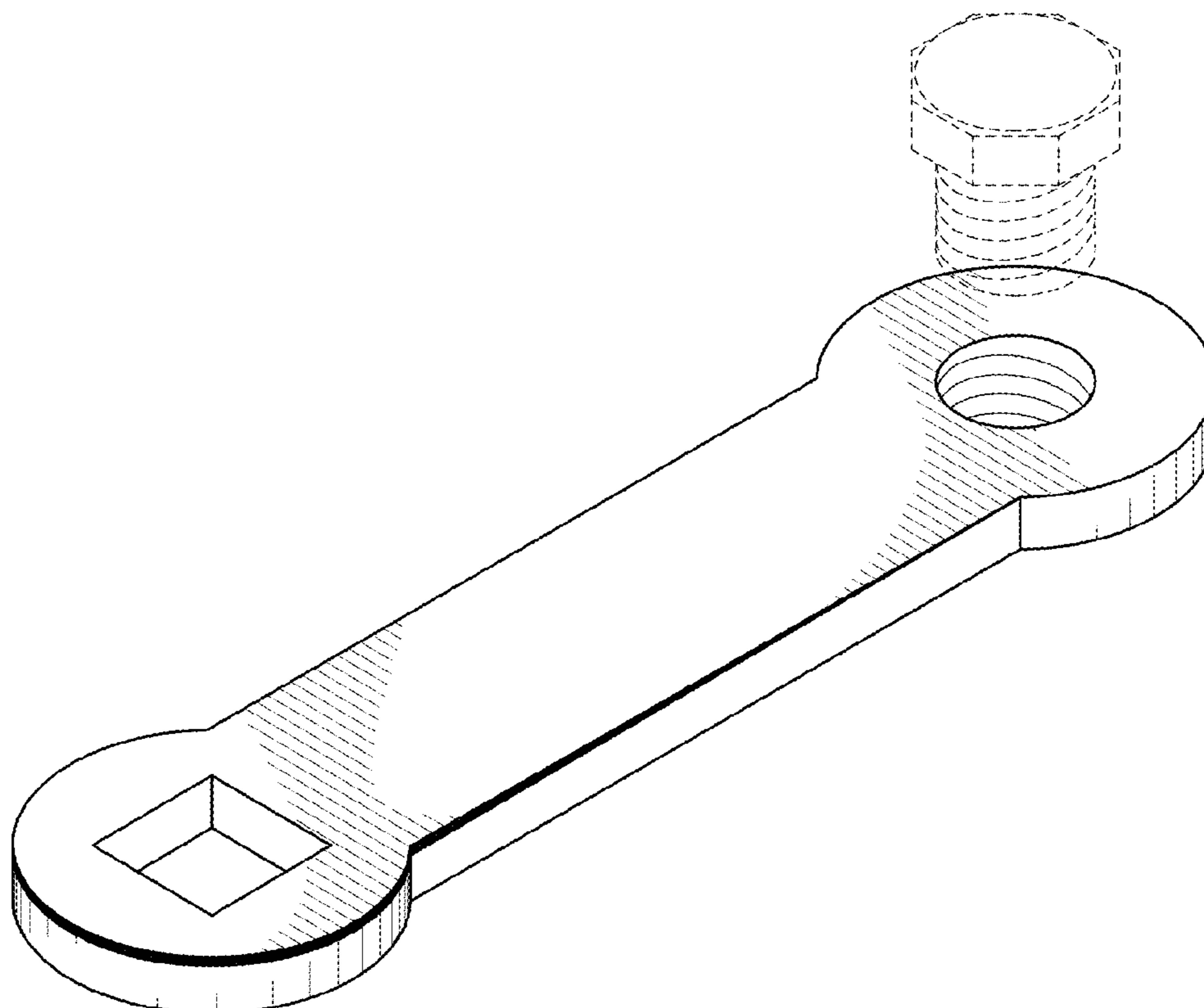
(57) **CLAIM**

The ornamental design for a boat plug wrench, as shown and described.

DESCRIPTION

FIG. 1 is a perspective view of my new design for a boat plug wrench which, as shown, is for threadably holding a threaded boat plug at one end of the wrench and;
FIG. 2 is a top plan view showing the boat plug wrench of FIG. 1 in isolation;
FIG. 3 is a bottom plan view of the boat plug wrench of FIG. 2;
FIG. 4 is a left side view of the boat plug wrench of FIG. 2;
FIG. 5 is a right side view of the boat plug wrench of FIG. 2;
FIG. 6 is a rear view of the boat plug wrench of FIG. 2; and,
FIG. 7 is a front view of the boat plug wrench of FIG. 2.
The broken lines are shown for illustrative purposes only and form no part of the claimed design.

1 Claim, 2 Drawing Sheets



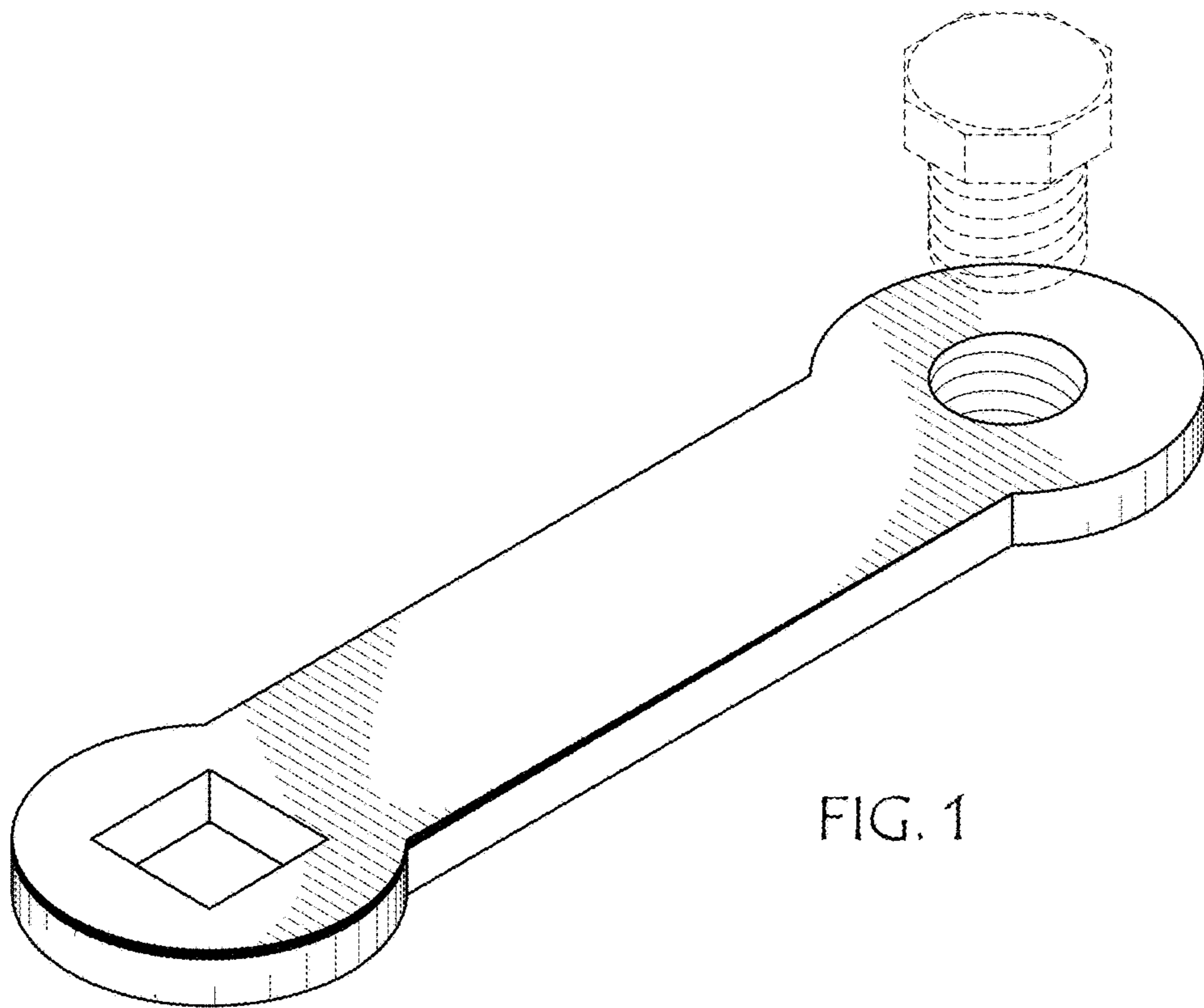


FIG. 1

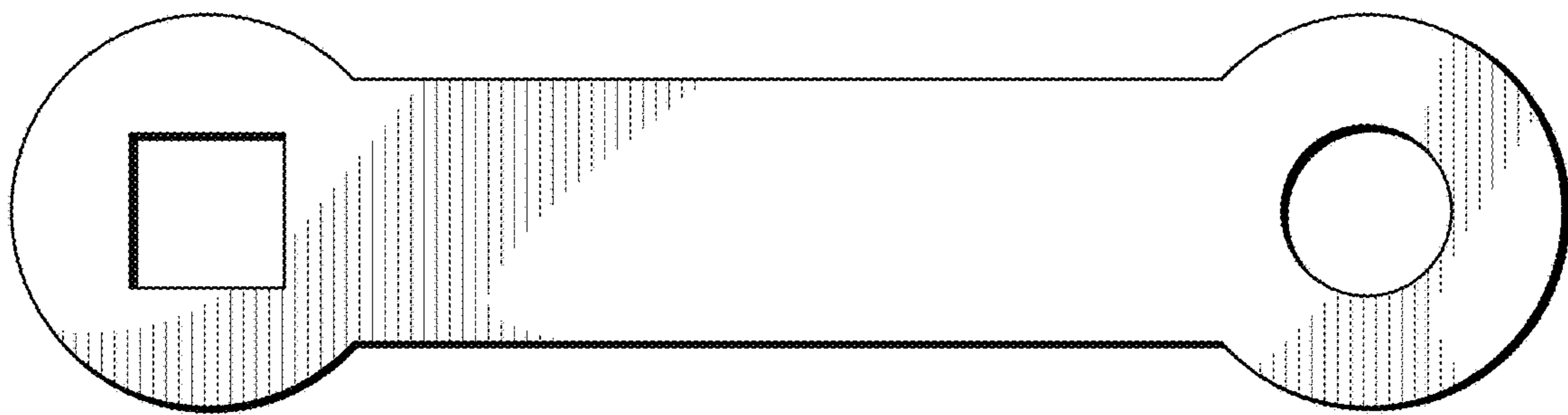


FIG. 2

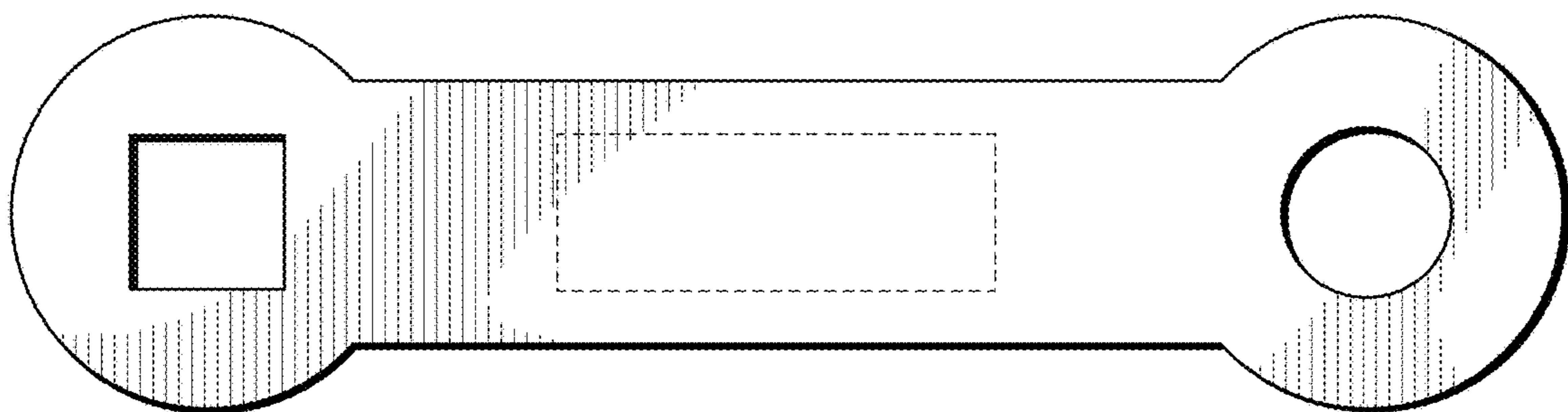


FIG. 3



FIG. 4



FIG. 5



FIG. 6



FIG. 7