



US00D833837S

(12) **United States Design Patent**  
**Karlsson et al.**

(10) **Patent No.:** **US D833,837 S**  
(45) **Date of Patent:** **\*\* Nov. 20, 2018**

(54) **PLANTING TOOL**  
(71) Applicant: **SweTree Nutrition AB**, Umea (SE)  
(72) Inventors: **Magnus Karlsson**, Kalix (SE); **Jonas Ohlund**, Umea (SE); **Hans Winsa**, Kalix (SE)  
(73) Assignee: **SWETREE NUTRITION AB**, Umea (SE)  
(\*\*) Term: **15 Years**

3,330,602 A \* 7/1967 Riley ..... E21B 11/005  
125/36  
3,517,629 A \* 6/1970 Dick ..... A01C 5/02  
111/106  
3,604,377 A \* 9/1971 Smith ..... A01G 23/02  
111/106  
3,749,034 A \* 7/1973 Bergius ..... A01C 5/02  
111/106  
5,492,070 A \* 2/1996 Lefkow ..... A01C 5/02  
111/115  
6,254,154 B1 \* 7/2001 Herzfeld ..... A01B 1/00  
294/53.5  
8,931,816 B2 \* 1/2015 Sickler, Jr. .... G01V 3/15  
294/190

(21) Appl. No.: **29/580,210**

\* cited by examiner

(22) Filed: **Oct. 6, 2016**

*Primary Examiner* — Sheryl Lane

(30) **Foreign Application Priority Data**

(74) *Attorney, Agent, or Firm* — Fox Rothschild LLP

Apr. 7, 2016 (EM) ..... 003058957-0001

(51) **LOC (11) Cl.** ..... **08-01**

(52) **U.S. Cl.**

USPC ..... **D8/1**

(58) **Field of Classification Search**

USPC ..... D8/1, 2, 3, 10

CPC ..... A01C 5/02; A01B 1/02; A01G 23/02

See application file for complete search history.

(56) **References Cited**

**U.S. PATENT DOCUMENTS**

1,952,585 A \* 3/1934 Croasdale, Jr. .... A01C 5/02  
111/101

3,163,455 A \* 12/1964 Tuggle, Sr. .... A01G 20/30  
111/101

(57) **CLAIM**

The ornamental design for planting tool, as shown and described.

**DESCRIPTION**

FIG. 1 is a perspective view of a planting tool according to the new design;

FIG. 2 is front view thereof;

FIG. 3 is a rear view thereof;

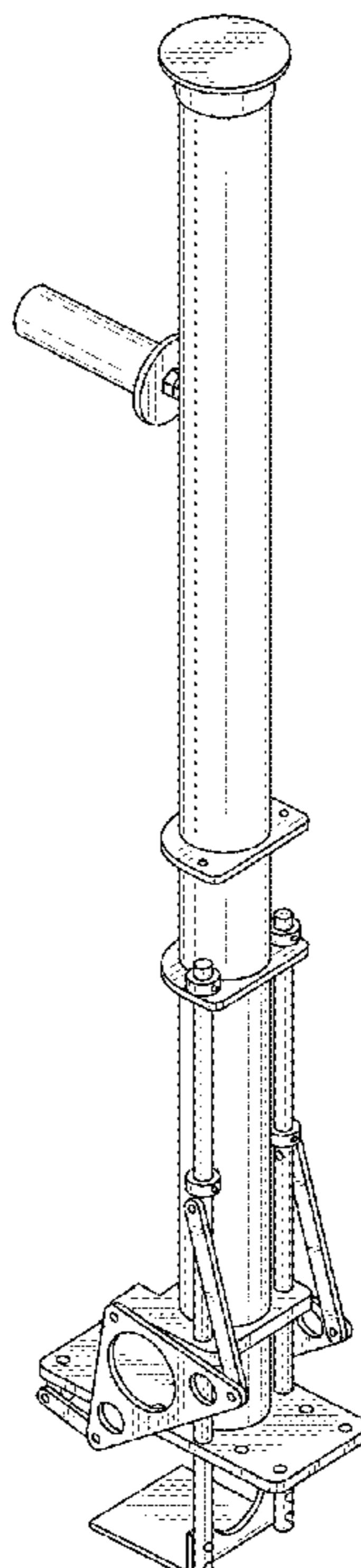
FIG. 4 is a left side view thereof;

FIG. 5 is a right side view thereof;

FIG. 6 is a top plan view thereof; and,

FIG. 7 is a bottom view thereof.

**1 Claim, 7 Drawing Sheets**



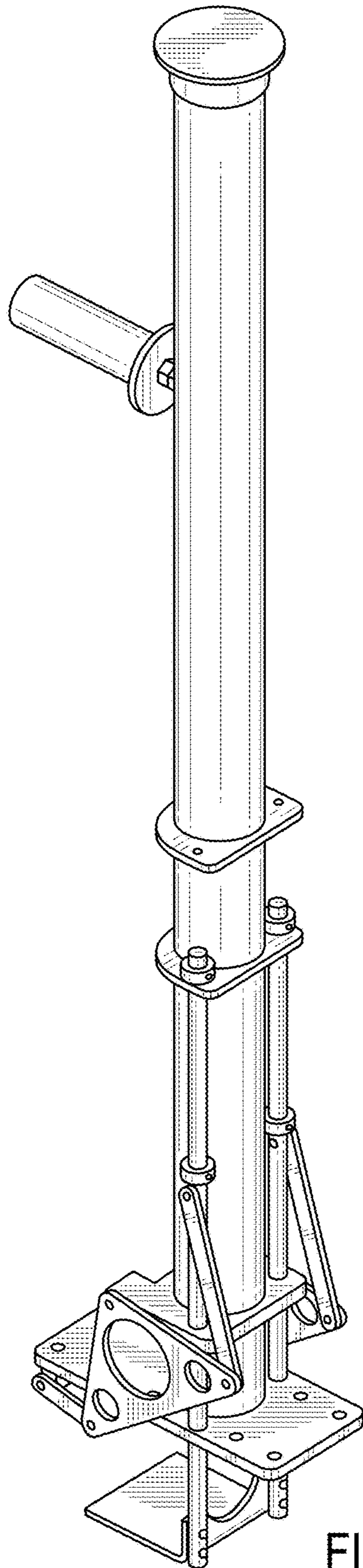


FIG. 1

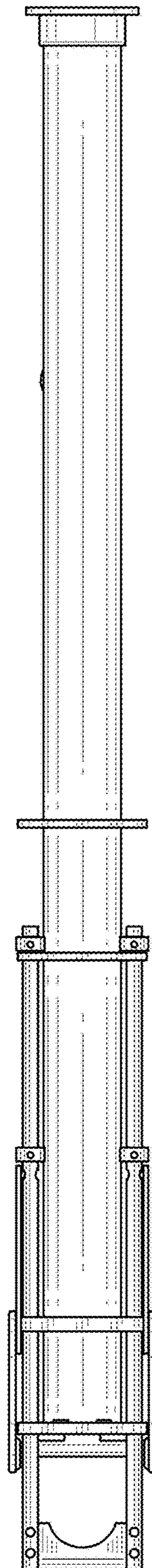


FIG. 2

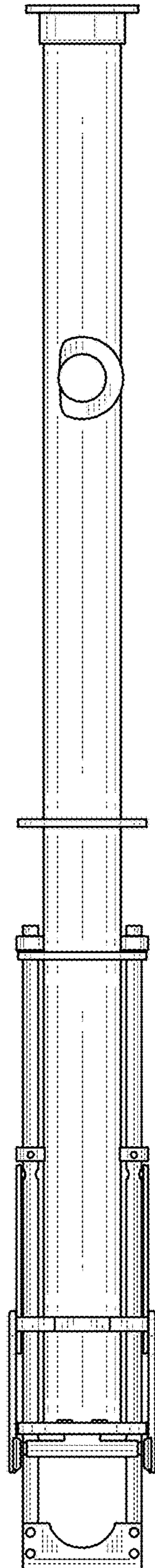


FIG. 3

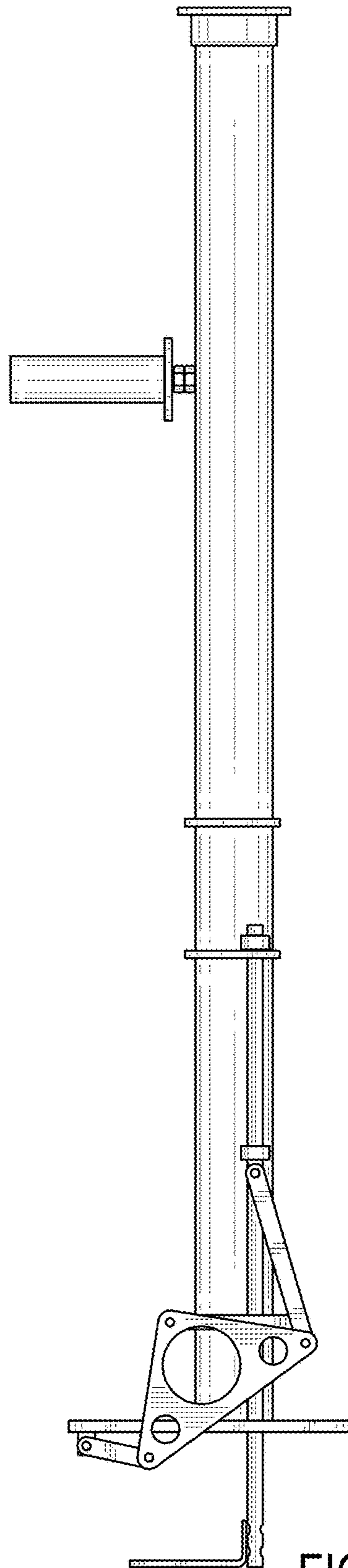


FIG. 4

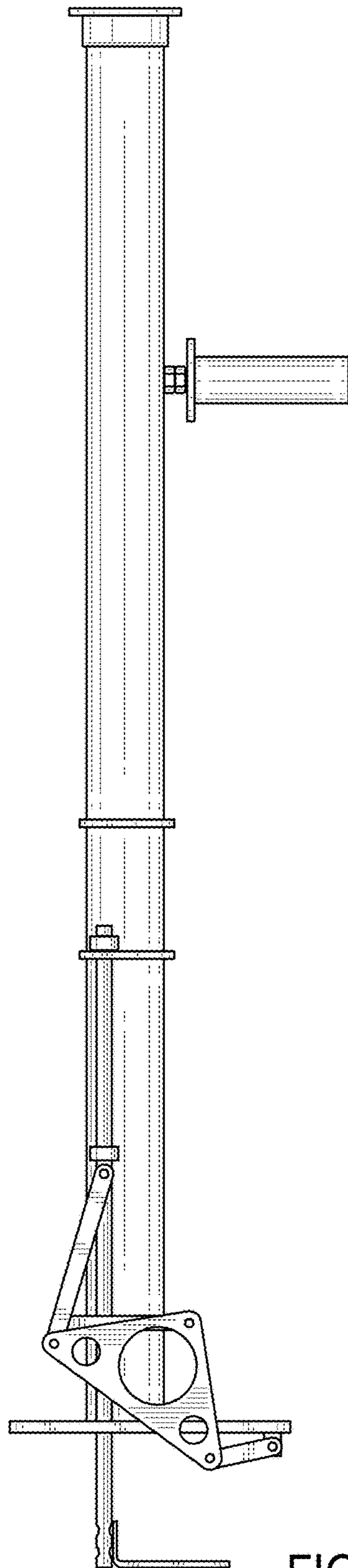


FIG. 5

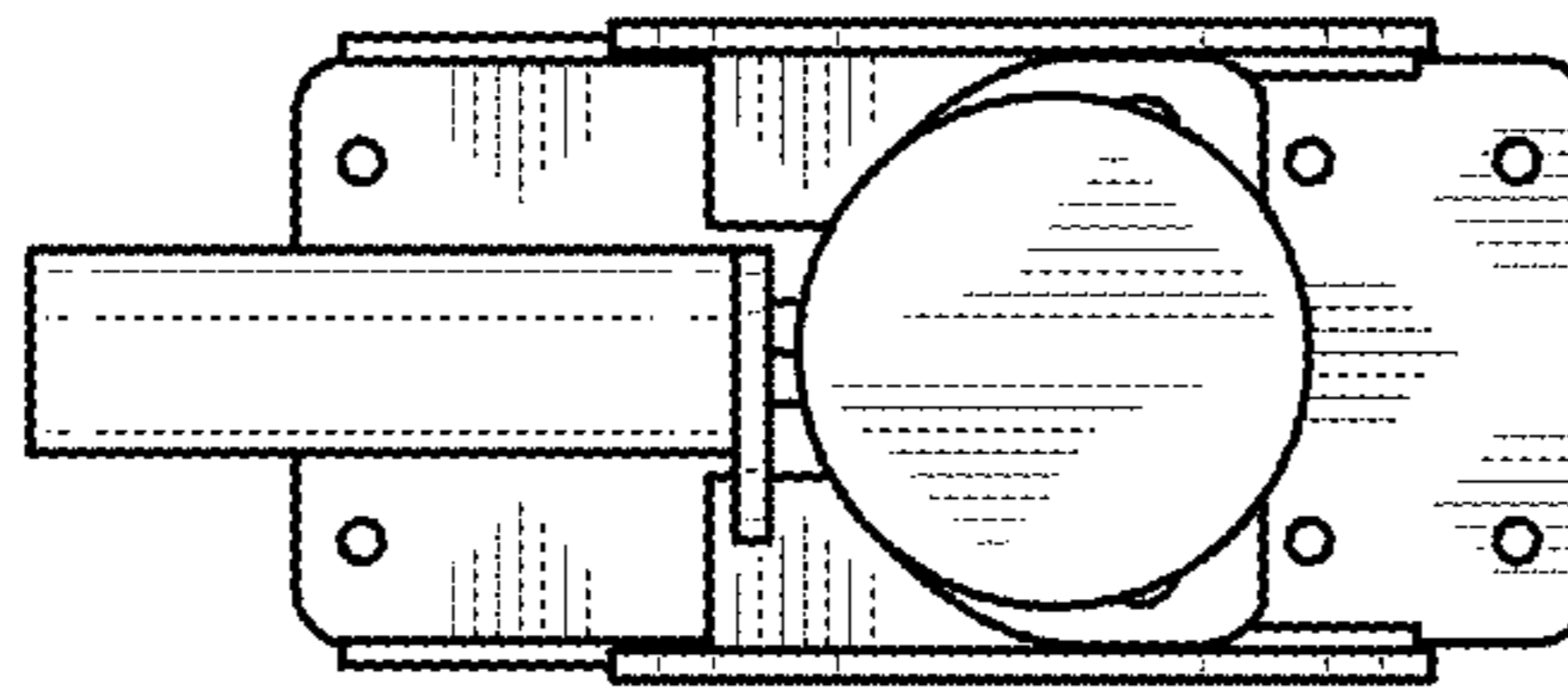


FIG. 6

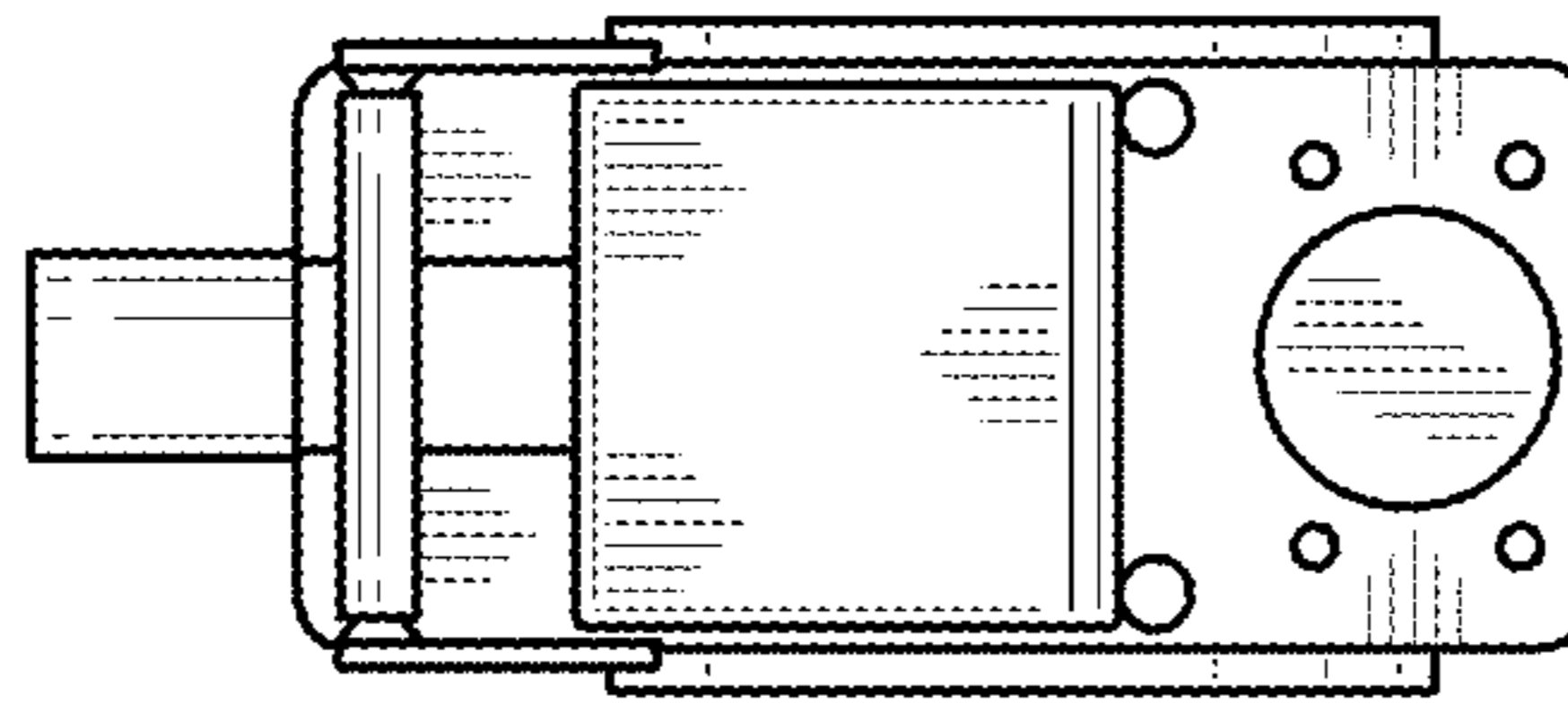


FIG. 7