



US00D833835S

(12) **United States Design Patent** (10) **Patent No.:** **US D833,835 S**
Mault et al. (45) **Date of Patent:** **** Nov. 20, 2018**

(54) **CUTTING DEVICE**
(71) Applicant: **WILTON INDUSTRIES, INC.**,
Woodridge, IL (US)
(72) Inventors: **Sarah Mault**, Woodridge, IL (US);
Traci Chapple, Woodridge, IL (US);
Michael Werner, Woodridge, IL (US);
Andrew Johansen, Woodridge, IL (US)

D487,211 S * 3/2004 Henry D7/357
D530,144 S * 10/2006 O'Flynn D7/354
D546,120 S * 7/2007 Nichols D7/391
D719,791 S * 12/2014 Davis D7/672
D740,622 S * 10/2015 Tandon D7/675
2002/0083597 A1* 7/2002 Garner B26D 5/10
30/316
2007/0224333 A1* 9/2007 Ewald A47J 43/20
426/614
2014/0033544 A1* 2/2014 Cline B26B 27/00
30/295

(73) Assignee: **WILTON INDUSTRIES, INC.**,
Naperville, IL (US)

FOREIGN PATENT DOCUMENTS

(**) Term: **15 Years**

EM 003423987 10/2016
GB 4 043 772 10/2015
GB 4 044 793 2/2016
GB 5 002 954 5/2016
GB 6 001 247 10/2016

(21) Appl. No.: **29/593,101**

* cited by examiner

(22) Filed: **Feb. 6, 2017**

(51) **LOC (11) Cl.** **07-04**

(52) **U.S. Cl.**
USPC **D7/672**

Primary Examiner — Susan Bennett Hattan
Assistant Examiner — Brett Miller

(58) **Field of Classification Search**
USPC D7/672–677, 354, 693–696, 678, 357;
99/422

(74) *Attorney, Agent, or Firm* — Foley & Lardner LLP

CPC .. A47J 43/00; A47J 43/25; A47J 25/00; A47J
43/20; A47J 29/00; B26D 2210/02; B26D
1/143; B26D 3/283; B26D 3/26; B26D
3/185; B26D 2003/288; B26D 2003/286;
B26D 2003/285; B26D 2003/287; B26D
5/10; A23G 3/0034; A23G 3/0273; A23L
15/00

(57) **CLAIM**

We claim the ornamental design for a cutting device, as shown and described.

See application file for complete search history.

DESCRIPTION

FIG. 1 is a perspective view of the claimed design;
FIG. 2 is a front elevational view thereof;
FIG. 3 is a rear elevational view thereof;
FIG. 4 is a right side elevational view thereof;
FIG. 5 is a left side elevational view thereof;
FIG. 6 is a top plan view thereof; and,
FIG. 7 is a bottom plan view thereof.

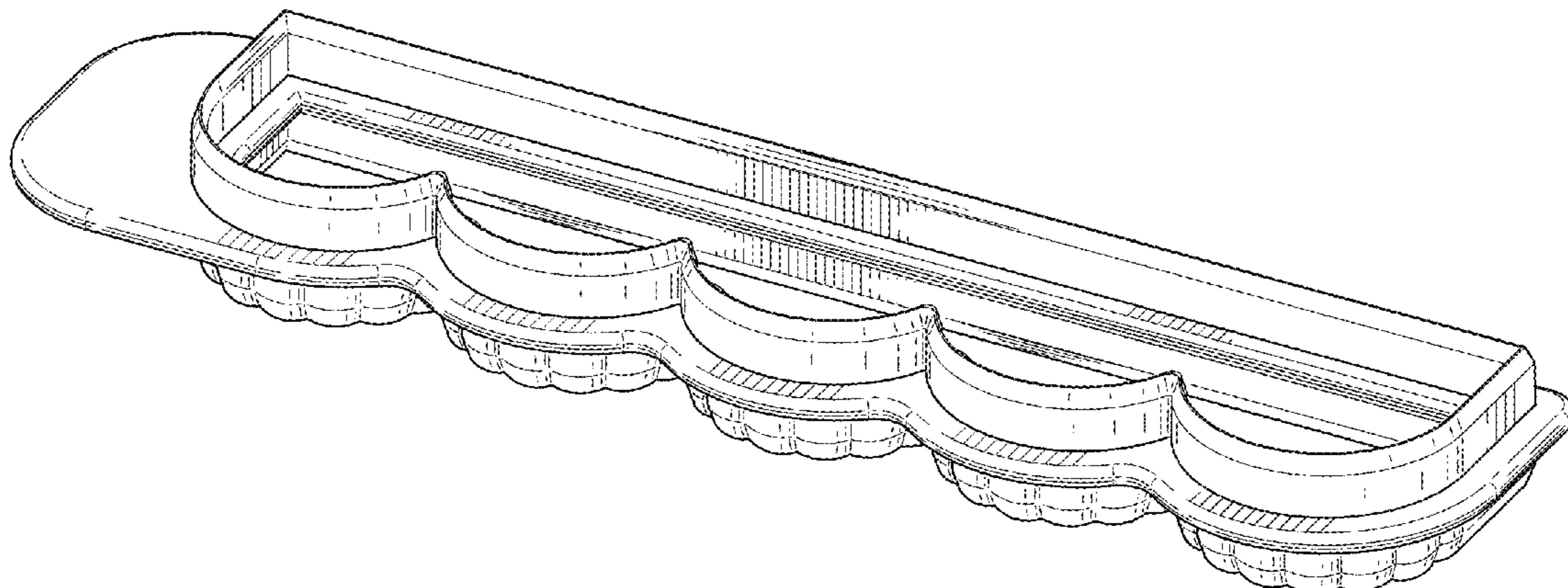
The ornamental design which is claimed is shown in solid lines in the drawings. The broken lines formed by dashes show unclaimed subject matter and form no part of the claimed design.

(56) **References Cited**

U.S. PATENT DOCUMENTS

3,279,397 A * 10/1966 Swett A47J 43/20
220/504
D247,876 S * 5/1978 Garson D9/659
D249,112 S * 8/1978 Garson D7/354
D282,893 S * 3/1986 Daenen D7/676
D398,808 S * 9/1998 Durst D7/354

1 Claim, 6 Drawing Sheets



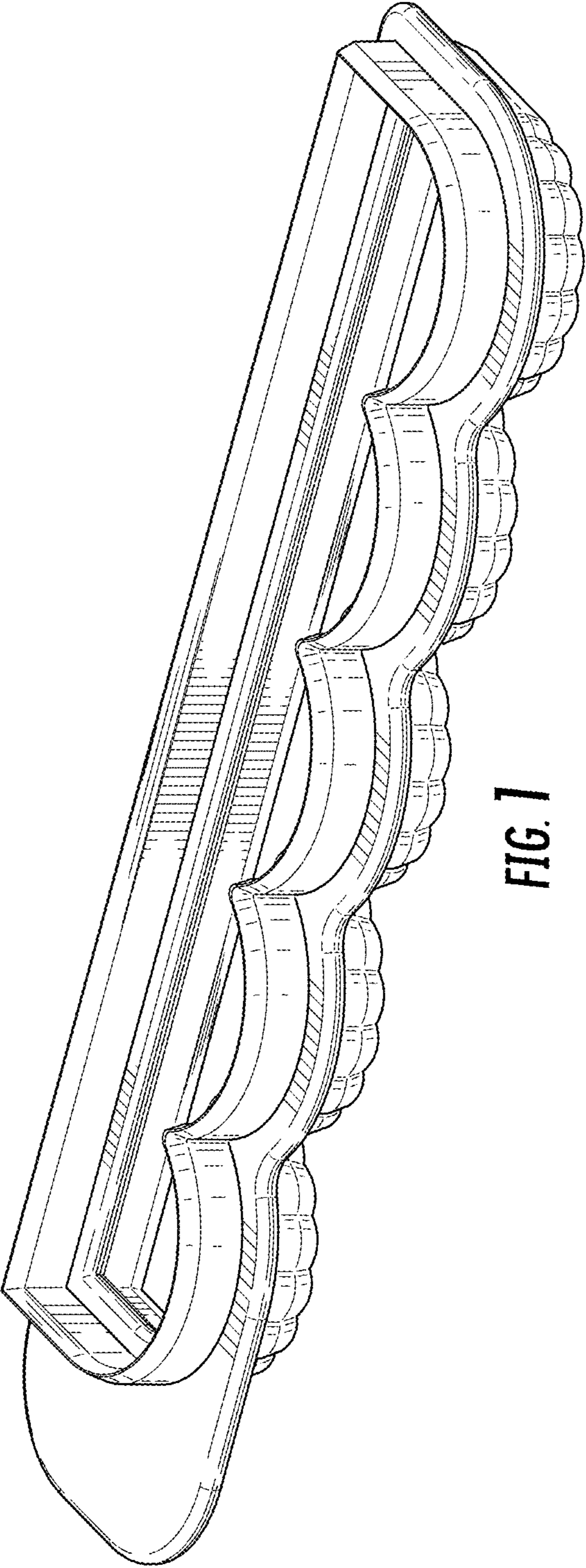


FIG. 1

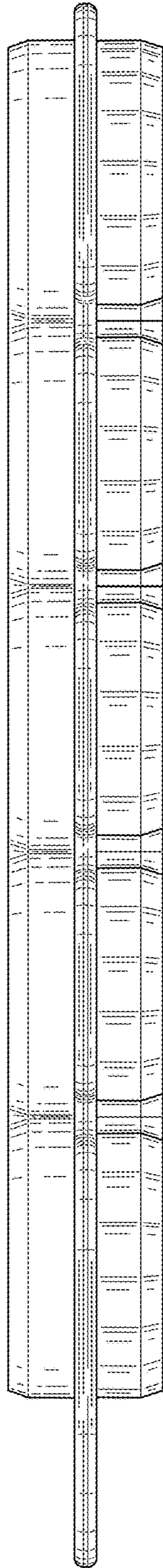


FIG. 2

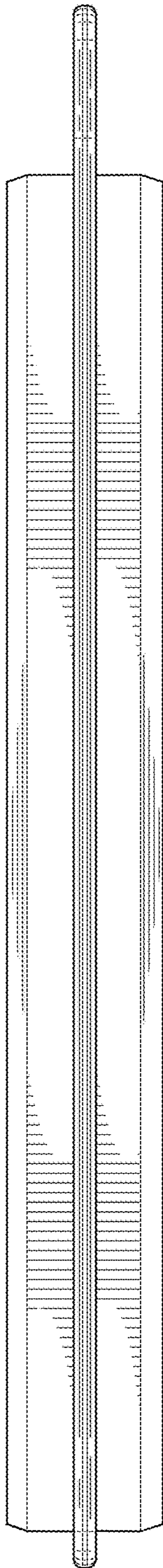


FIG. 3

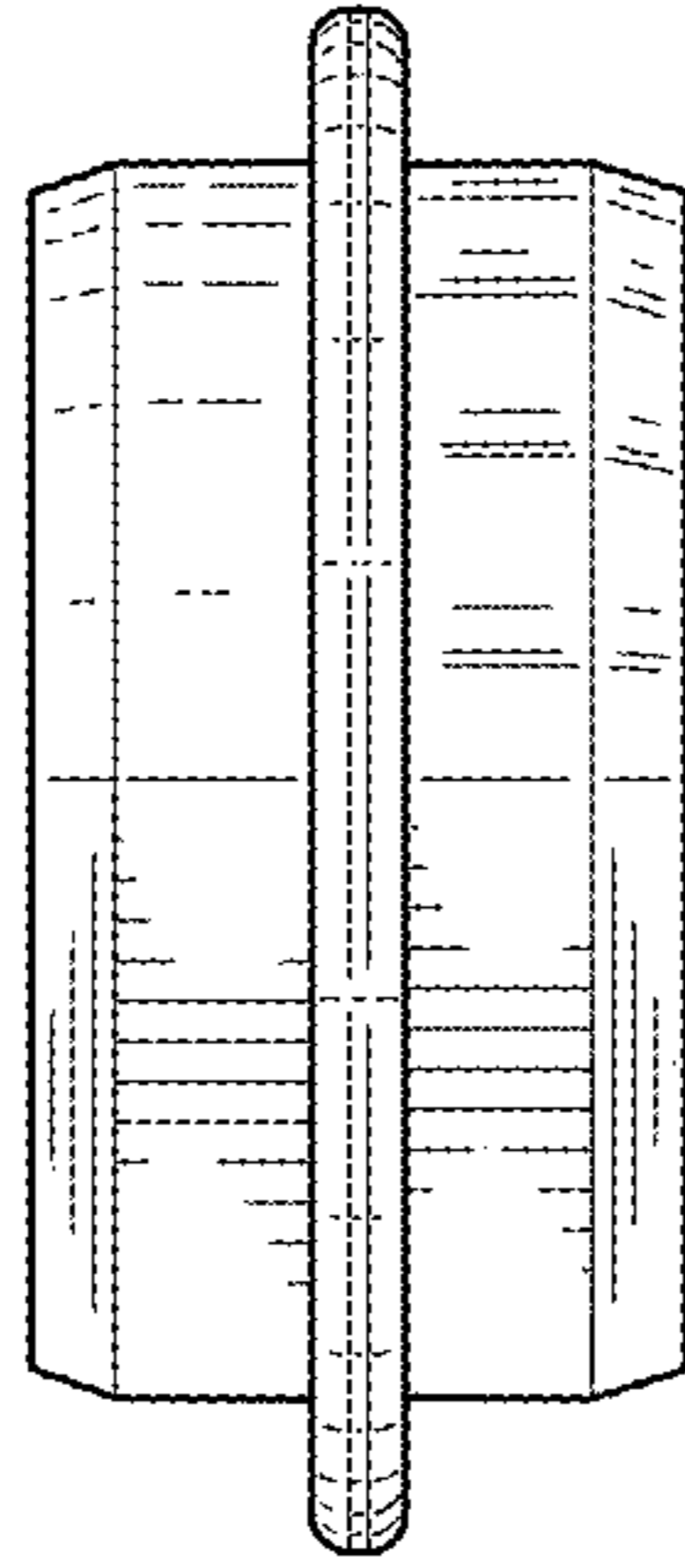


FIG. 5

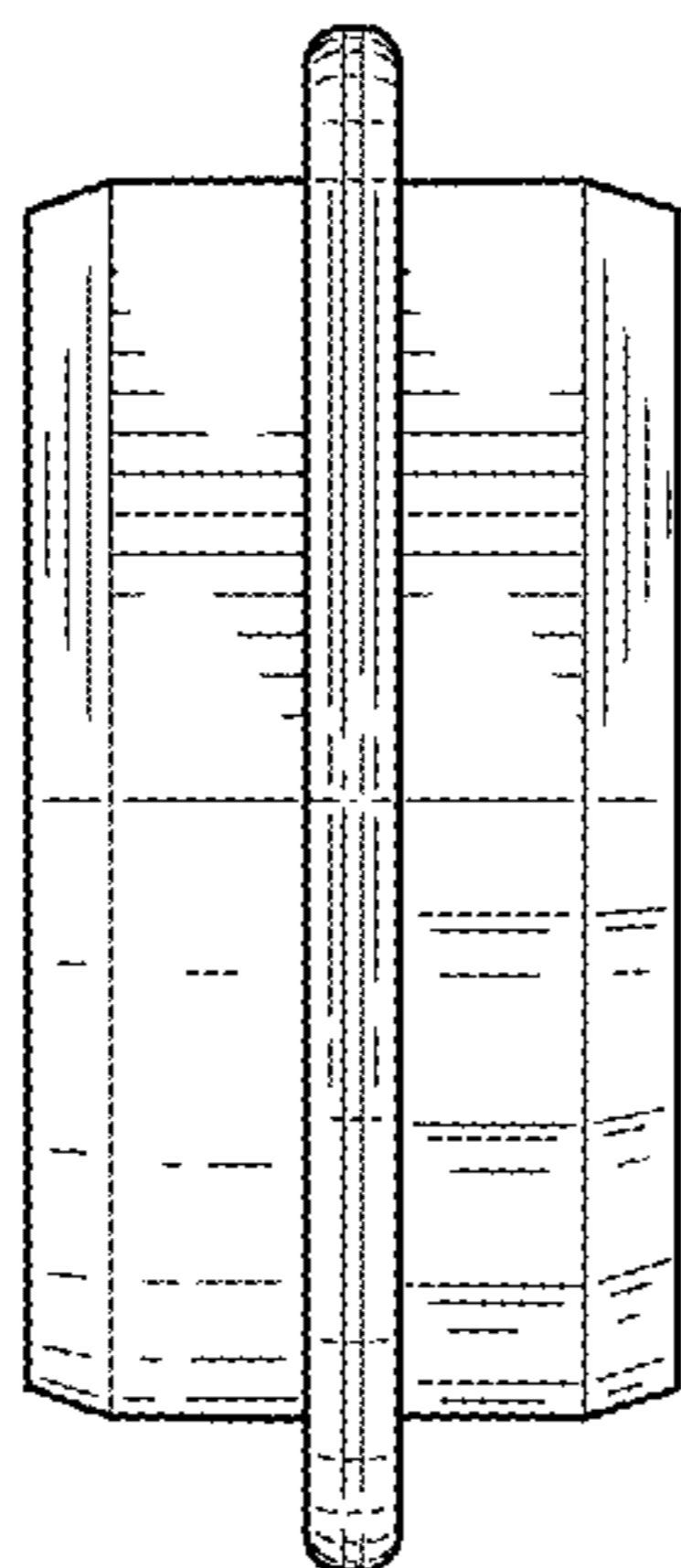


FIG. 4

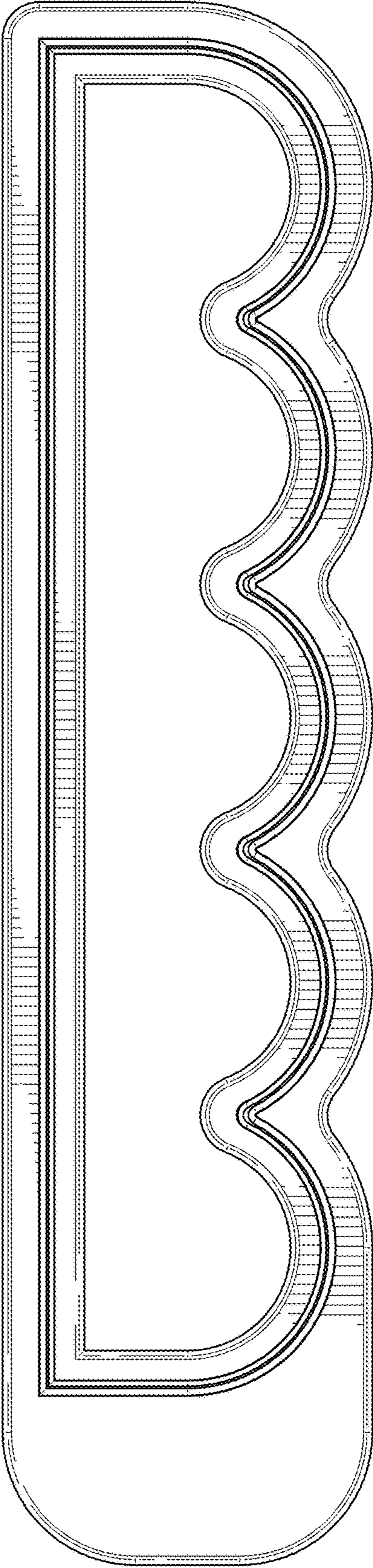


FIG. 6

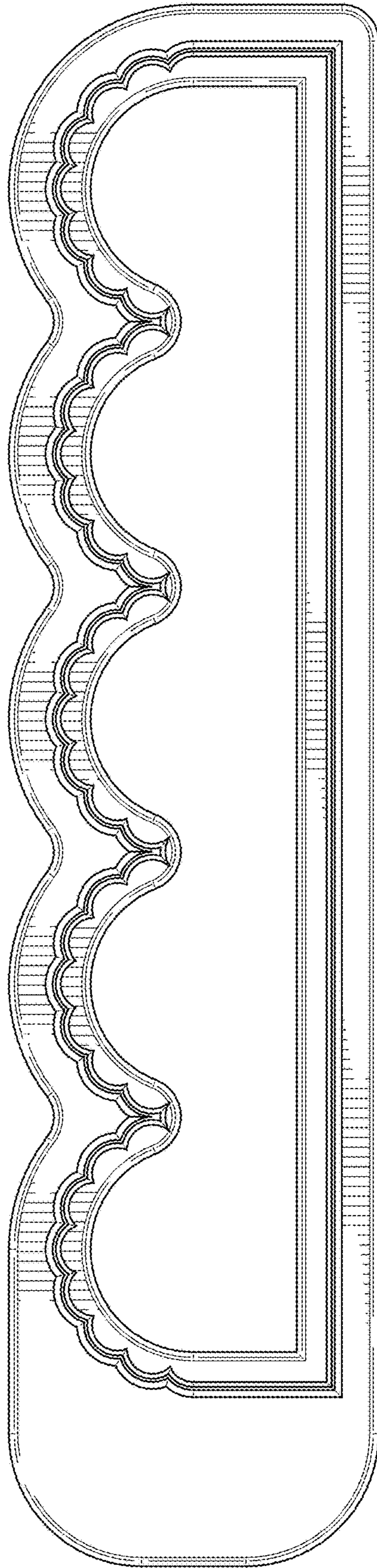


FIG. 7