



US00D833834S

(12) **United States Design Patent**  
**Matsumoto et al.**

(10) **Patent No.:** **US D833,834 S**

(45) **Date of Patent:** **\*\* Nov. 20, 2018**

- (54) **SIFTER**
- (71) Applicants: **Tamotsu Matsumoto**, Chiba (JP);  
**Makiko Kida**, Ichikawa (JP); **Taiki Nosaka**, Funabashi (JP)
- (72) Inventors: **Tamotsu Matsumoto**, Chiba (JP);  
**Makiko Kida**, Ichikawa (JP); **Taiki Nosaka**, Funabashi (JP)
- (73) Assignee: **HELEN OF TROY LIMITED**, St. Michael (BB)

- 2,326,761 A \* 8/1943 Collier ..... B07B 1/02  
209/255
- 2,507,500 A \* 5/1950 Chester ..... A47J 43/22  
209/282
- 2,664,201 A \* 12/1953 Dunn ..... B07B 1/02  
209/251
- 2,674,375 A \* 4/1954 Clay ..... B07B 1/02  
209/251
- D620,769 S \* 8/2010 Mangin ..... D7/691
- D711,195 S \* 8/2014 Cornu ..... D10/46.2

\* cited by examiner

*Primary Examiner* — Terry A Wallace

(\*\*) Term: **15 Years**

(21) Appl. No.: **29/630,644**

(22) Filed: **Dec. 21, 2017**

(51) **LOC (11) Cl.** ..... **07-04**

(52) **U.S. Cl.**  
USPC ..... **D7/667**

(58) **Field of Classification Search**  
USPC ..... D7/667, 691, 692, 678, 669; D10/46.2,  
D10/46.3

CPC ..... A47J 43/22; A47J 43/00; A47J 43/281;  
B07B 1/02; A47G 19/24; A47G 21/04;  
B65D 47/185; A61J 7/0023; A47F 13/08  
See application file for complete search history.

(56) **References Cited**

**U.S. PATENT DOCUMENTS**

- 2,063,499 A \* 12/1936 Hall ..... A47J 43/22  
209/357
- 2,213,719 A \* 9/1940 Caister ..... A47J 43/22  
209/251

(57) **CLAIM**

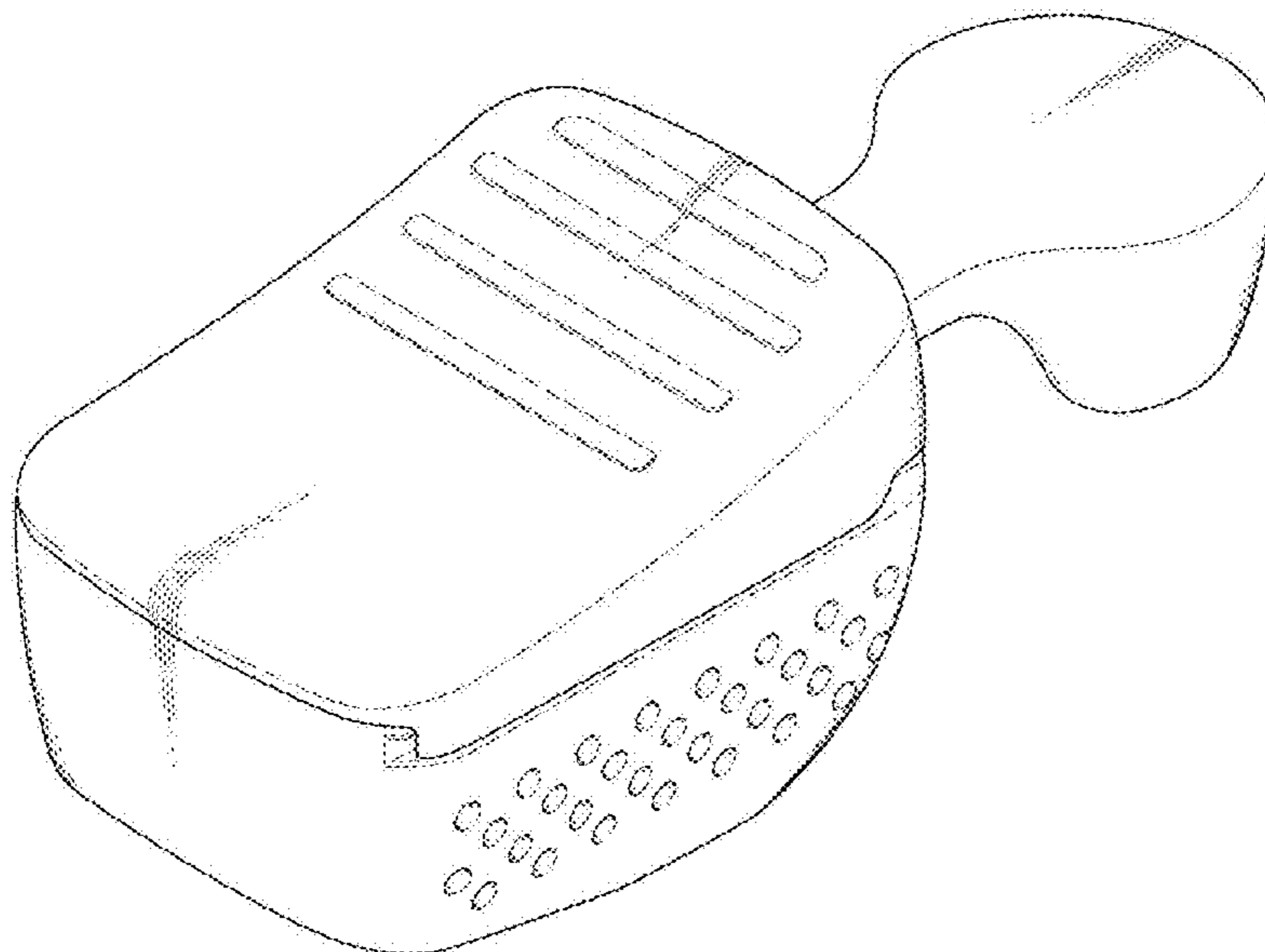
The ornamental design for a sifter, as shown, and described.

**DESCRIPTION**

FIG. 1 is a perspective view of a sifter;  
FIG. 2 is a left elevation view thereof (with the right a mirror image thereof);  
FIG. 3 is a front elevation view thereof;  
FIG. 4 is a rear elevation view thereof;  
FIG. 5 is a top view thereof; and,  
FIG. 6 is a bottom view thereof.

The broken lines represent structure which form no part of the claimed design.

**1 Claim, 6 Drawing Sheets**



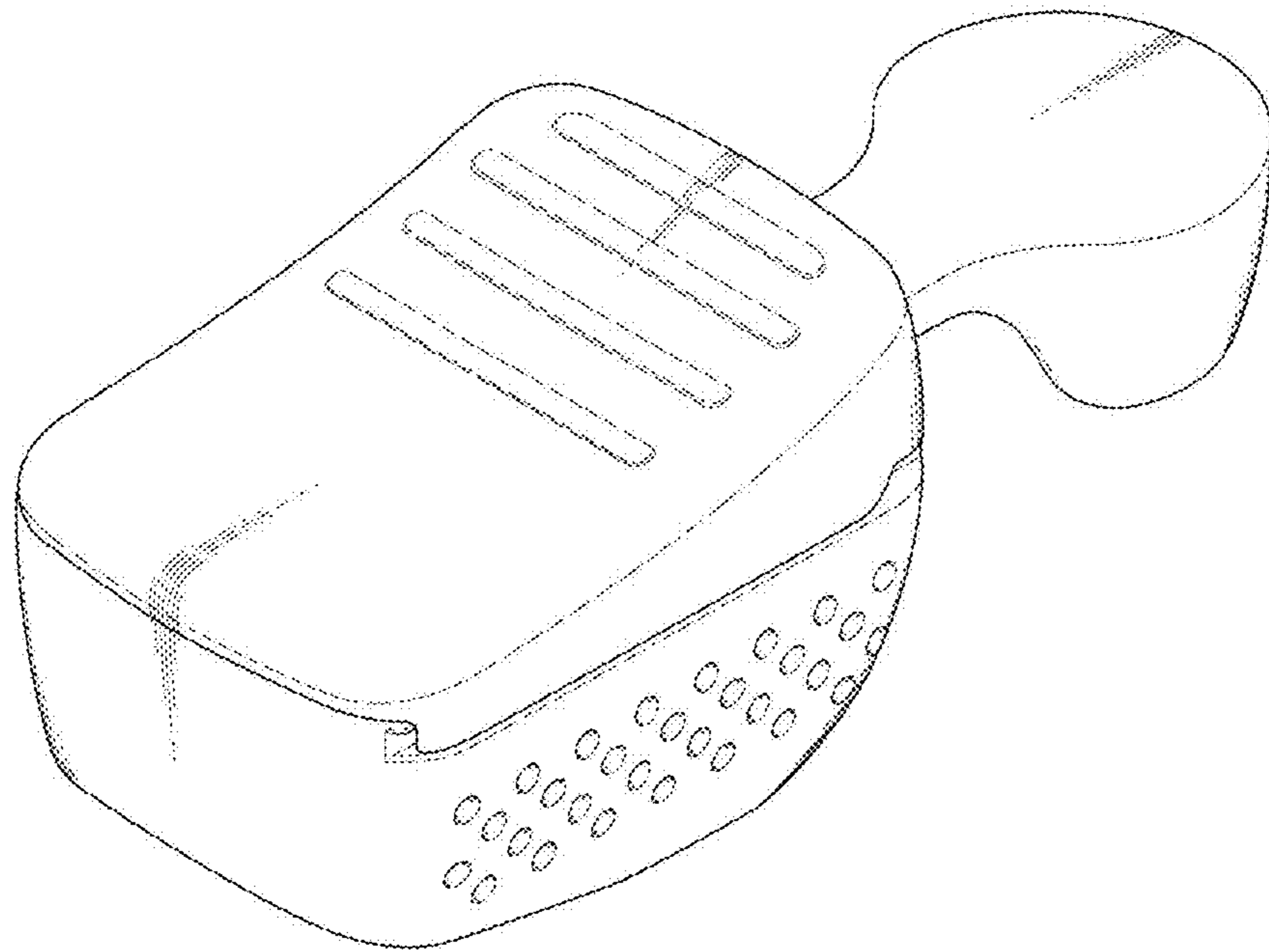


FIG. 1

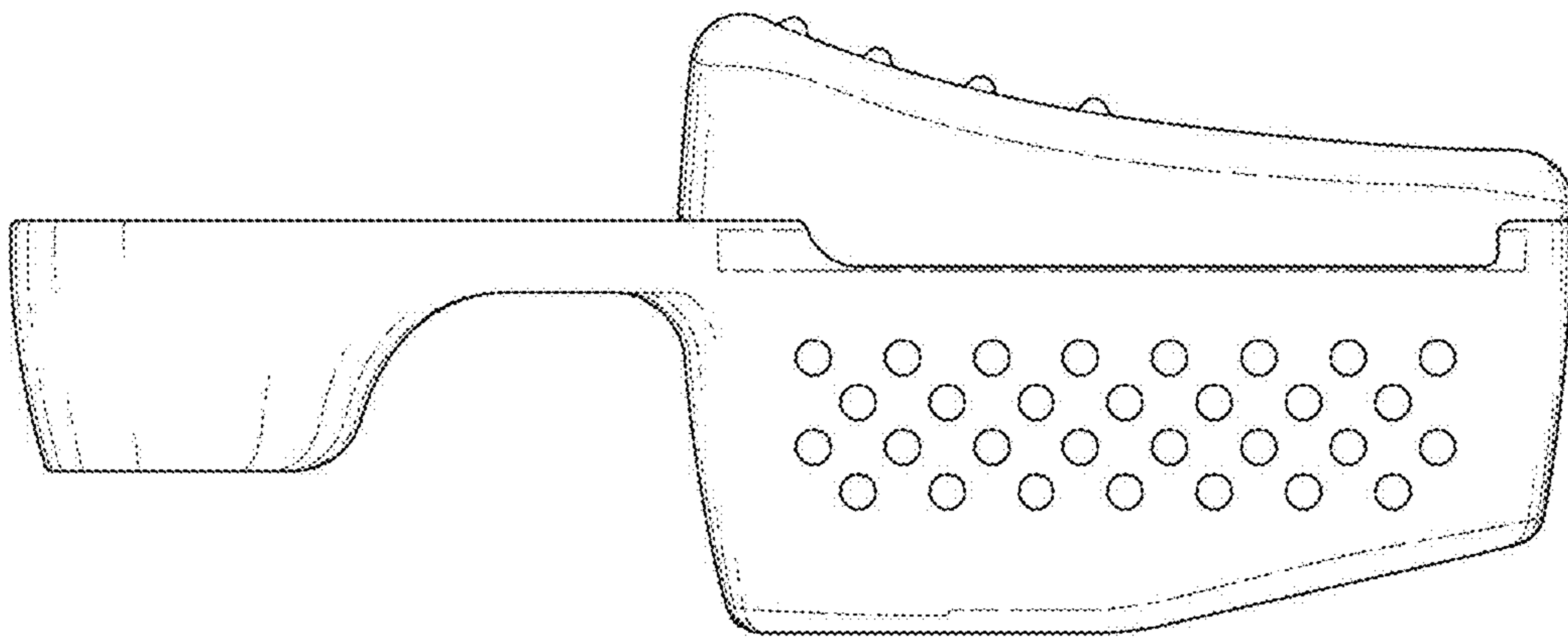


FIG. 2

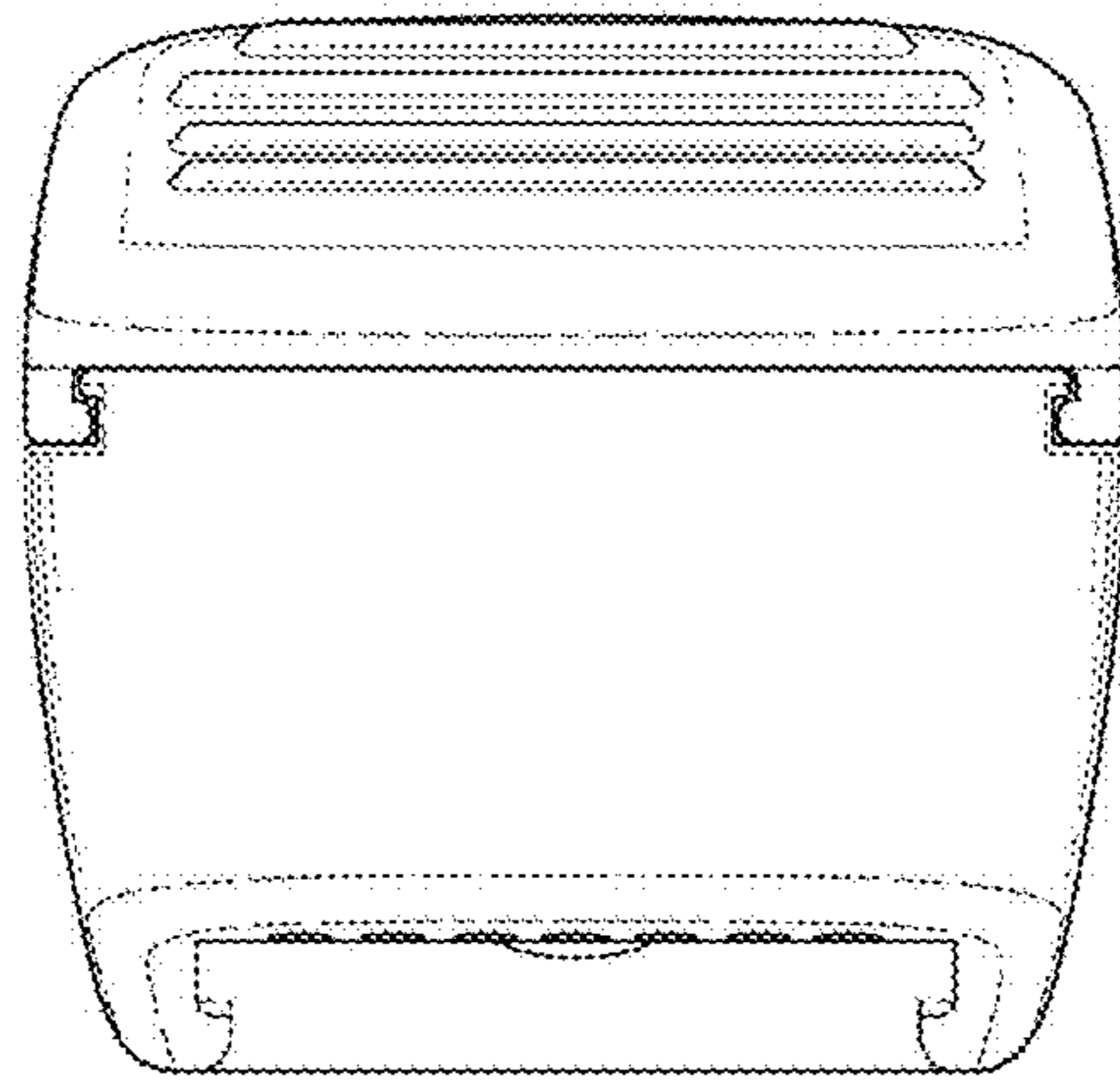


FIG. 3

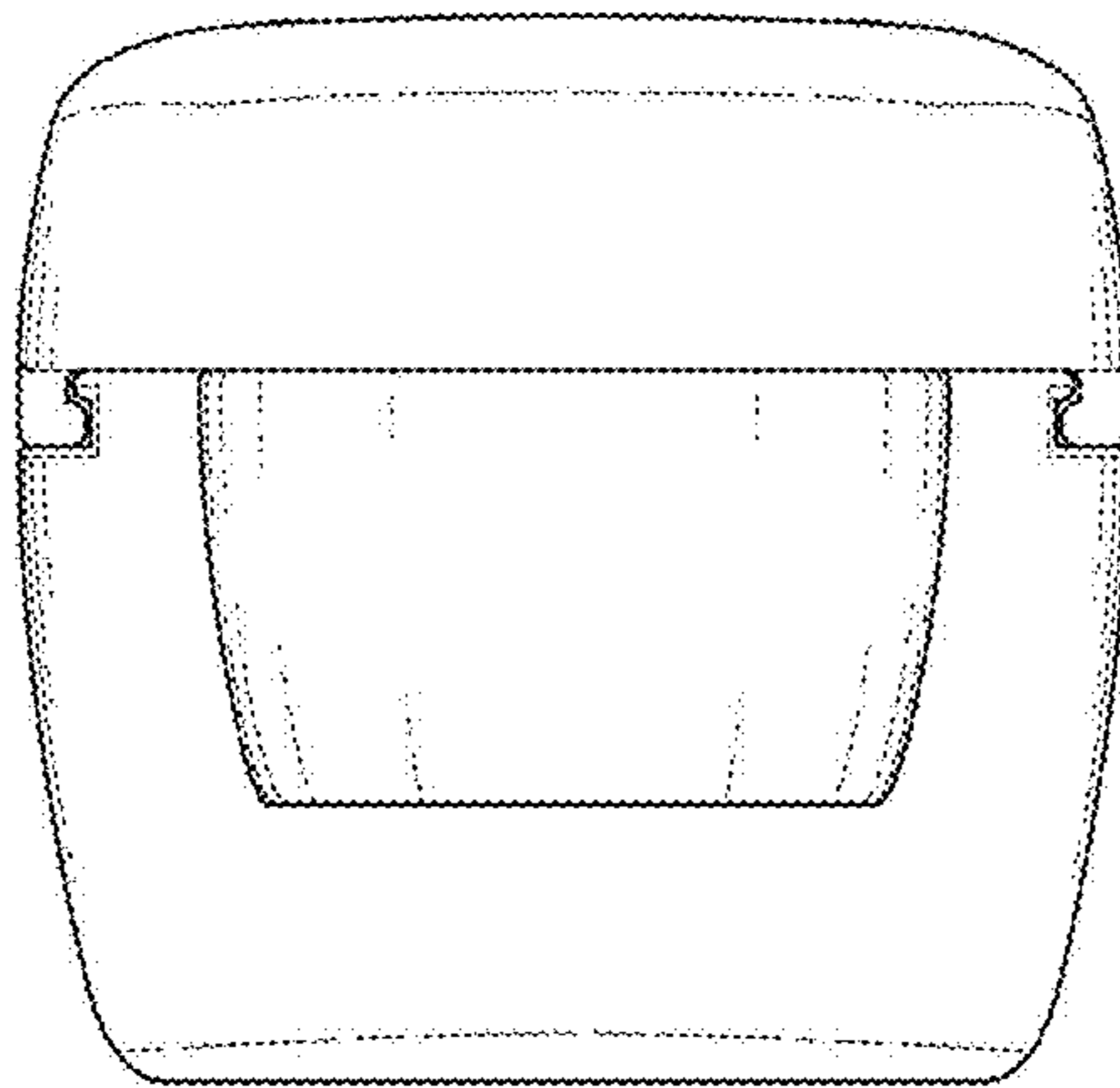


FIG. 4

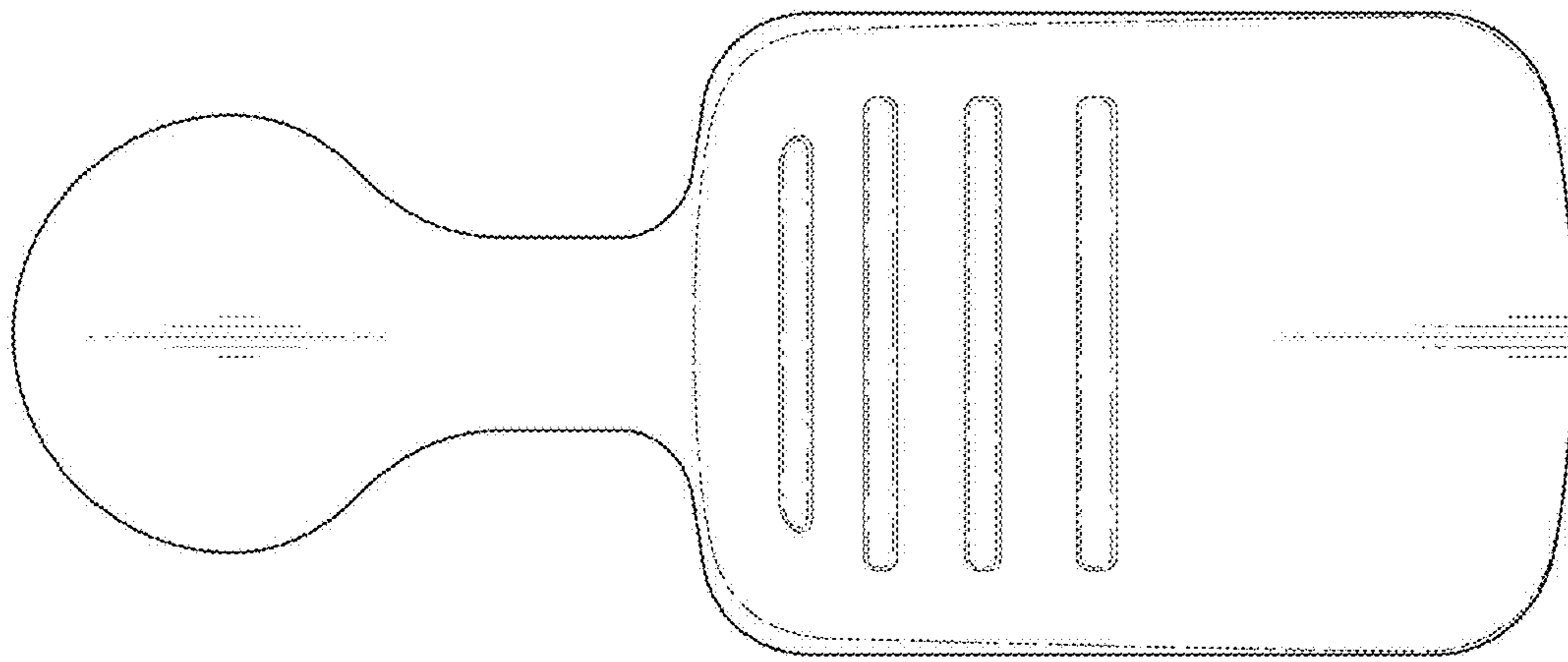


FIG. 5

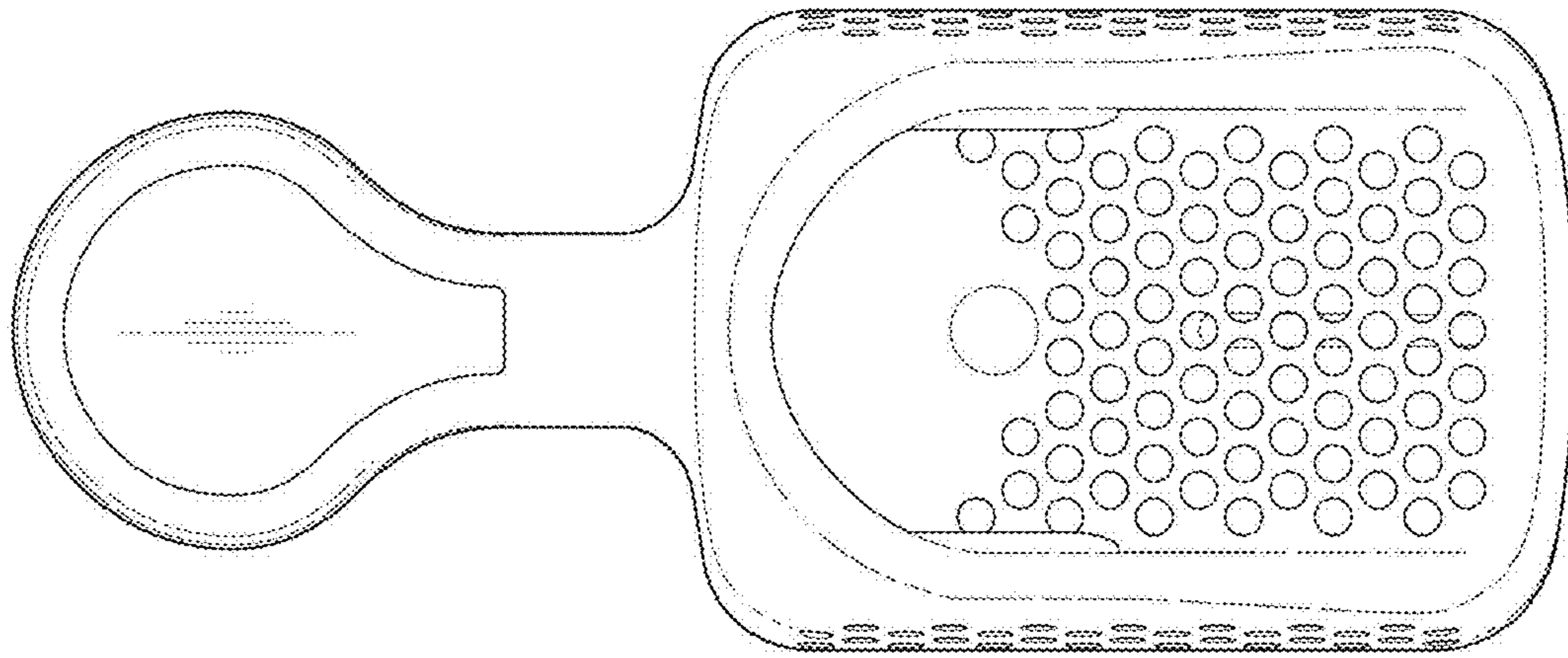


FIG. 6