



US00D833831S

(12) **United States Design Patent**
Triska et al.

(10) **Patent No.:** **US D833,831 S**

(45) **Date of Patent:** **** Nov. 20, 2018**

(54) **SOFT-SIDED COOLER**

8,910,819 B2 12/2014 Seiders
D732,348 S 6/2015 Seiders et al.
D732,349 S 6/2015 Seiders et al.

(Continued)

(71) Applicant: **Walmart Apollo, LLC**, Bentonville, AR (US)

FOREIGN PATENT DOCUMENTS

(72) Inventors: **Nathan Andrew Triska**, Bella Vista, AR (US); **Patrick Neal Overbey**, Rogers, AR (US)

WO 2017079315 A1 5/2017
WO 2017136747 A1 8/2017

(Continued)

(73) Assignees: **Walmart Apollo, LLC**, Bentonville, AR (US); **Olivet International, INC**, Mira Loma, CA (US)

OTHER PUBLICATIONS

(**) Term: **15 Years**

Academy Sports + Outdoors, Magellan Outdoors 24-Can Sport Backpack Cooler, <http://www.academy.com/shop/pdp/-magellan-outdoors-24-can-sport-backpack-cooler>. Retrieved Aug. 16, 2017. 3 pages.

(Continued)

(21) Appl. No.: **29/584,726**

(22) Filed: **Nov. 16, 2016**

(51) **LOC (11) Cl.** **07-01**

(52) **U.S. Cl.**
USPC **D7/607**

(58) **Field of Classification Search**
USPC D7/603-608; D3/283, 289, 233, 267, D3/268, 273, 276, 315, 318
CPC F25D 2331/801; F25D 2331/804; F25D 23/12; F25D 3/06; B65D 30/08; B65D 81/3858; B65D 81/3823; B65D 81/3888; B65D 81/3897; B65D 31/04; B65D 31/18; A45C 11/20; A45F 3/04
See application file for complete search history.

Primary Examiner — Terry A Wallace

(74) *Attorney, Agent, or Firm* — McCarter & English, LLP; David R. Burns

(57) **CLAIM**

What is claimed is an ornamental design for a soft-sided cooler, as shown and described.

DESCRIPTION

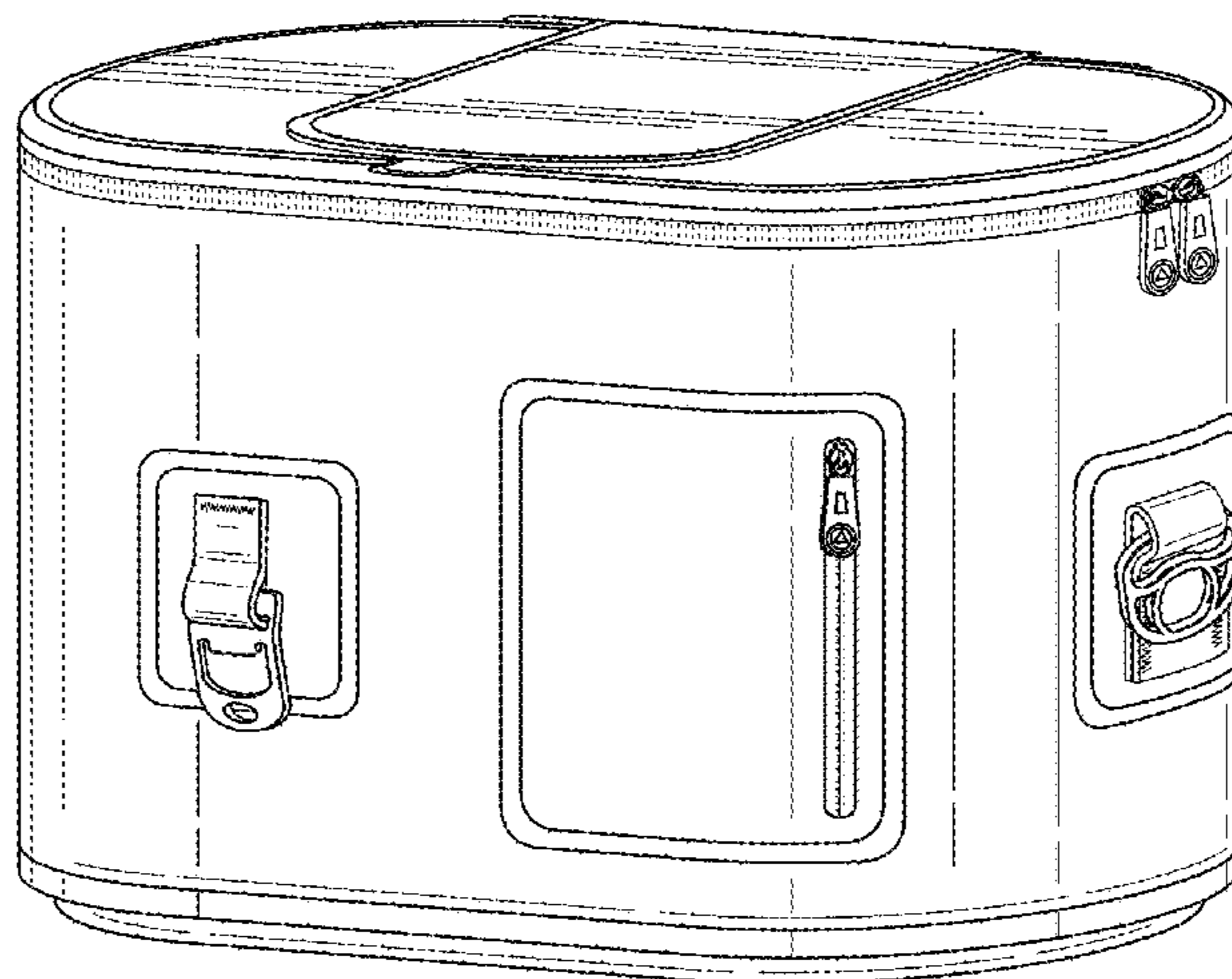
FIG. 1 is a perspective view of a soft-sided cooler showing the design;
FIG. 2 is a front plan view of the soft-sided cooler of FIG. 1;
FIG. 3 is a rear plan view of the soft-sided cooler of FIG. 1;
FIG. 4 is a left side plan view of the soft-sided cooler of FIG. 1;
FIG. 5 is a right side plan view of the soft-sided cooler of FIG. 1;
FIG. 6 is a top plan view of the soft-sided cooler of FIG. 1; and,
FIG. 7 is a bottom plan of the soft-sided cooler of FIG. 1.

(56) **References Cited**

U.S. PATENT DOCUMENTS

5,400,610 A 3/1995 Macedo
6,276,579 B1 8/2001 DeLoach
D478,782 S * 8/2003 Li D7/607
D492,160 S * 6/2004 Lanman D7/605
D642,870 S * 8/2011 Whitlock D3/289
8,281,950 B2 10/2012 Potts et al.
D692,661 S 11/2013 Gupton, Jr.
8,777,045 B2 7/2014 Mitchell et al.

1 Claim, 7 Drawing Sheets



(56)

References Cited

U.S. PATENT DOCUMENTS

D732,350	S	6/2015	Seiders et al.	
D732,899	S	6/2015	Seiders et al.	
9,139,352	B2	9/2015	Seiders et al.	
D752,347	S	3/2016	Seiders et al.	
D798,670	S	10/2017	Seiders et al.	
D799,276	S	10/2017	Seiders et al.	
D799,277	S	10/2017	Seiders et al.	
D799,905	S	10/2017	Seiders et al.	
D801,123	S	10/2017	Seiders et al.	
D802,373	S	11/2017	Seiders et al.	
D805,851	S	12/2017	Sullivan et al.	
D809,869	S	2/2018	Seiders et al.	
D814,879	S	4/2018	Larson et al.	
D815,496	S	4/2018	Larson et al.	
D817,106	S	5/2018	Larson et al.	
D817,107	S	5/2018	Larson et al.	
2005/0133399	A1	6/2005	Fidrych	
2014/0144963	A1	5/2014	Moore et al.	
2015/0225164	A1	8/2015	Seiders et al.	
2016/0101924	A1*	4/2016	Mitchell	A45C 7/0077 220/592.2
2016/0244239	A1	8/2016	Nash	
2016/0257479	A1	9/2016	Seiders et al.	
2017/0036844	A1	2/2017	Seiders et al.	
2017/0158412	A1	6/2017	Seiders et al.	
2017/0210542	A1	7/2017	Seiders et al.	
2017/0305638	A1	10/2017	Sonntag et al.	
2017/0313492	A1	11/2017	Seiders et al.	
2018/0037394	A1	2/2018	Seiders et al.	

FOREIGN PATENT DOCUMENTS

WO	2017136754	A1	8/2017
WO	2017184687	A1	10/2017
WO	2017197230	A1	11/2017
WO	2018075157	A1	4/2018

OTHER PUBLICATIONS

Aliexpress, 4 colors thermal leak-proof ice pack insulation cooler bag breast milk storage bag insulated lunch bag for women men. Chasiy. <https://www.aliexpress.com/item/4-colors-thermal-leak-proof-ice-pack-insulation-cooler-bag-breast-milk-storage-bag-insulated-lunch/32273624390.html>. Retrieved Aug. 17, 2017. 1 page.

Amazon, Leopard Outdoor Vinyl Cooler Bag, Perfect for Camping, Fishing, Hiking or Outdoor Picnic, 24 Can Blue. <https://www.amazon.com/Leopard-Outdoor-Perfect-Camping-Fishing/dp/B01EXUV6JG>. Retrieved Oct. 14, 2016. 6 pages.

Amazon, Leopard Outdoor Water Repellent Vinyl Cooler Bag, Perfect for Camping, Fishing, Hiking or Outdoor Picnic, 24Can Blue. <https://www.amazon.com/Leopard-Outdoor-Perfect-Camping-Fishing/dp/B01EXUV6JG>. Retrieved Aug. 17, 2017. 7 pages.

Amazon, ORCA Pod Cooler Backpack, Blue ORCPODBL, <https://www.amazon.com/ORCA-Cooler-Backpack-Blue-DRCPDBL/dp/B014PKBY3W>. Retrieved Oct. 14, 2016. 6 pages.

Artic Zone, 24 Can Cooler Backpack, <http://arcticzone.com/catalog/product/24-can-cooler-back-pack/>. Retrieved Aug. 16, 2017. 3 pages.

Bunnings warehouse, Esky 30 Can Hybrid Cooler With Ice Brick, https://www.bunnings.com.au/esky-30-can-hybrid-cooler-with-ice-brick_p3240507. Retrieved Aug. 16, 2017. 2 pages.

Ebay, IGLOO 35 Can Tundra Cooler Bag with Antimicrobial Bag Great Outdoor—New, http://www.ebay.com/itm/IGLOO-36-Can-Tundra-Cooler-Bag-With-Antimicrobial-Bag-Great-Outdoor-Cooler-New/322160695025?_trksid=p2047675.c100011.m1850&_trkparms=aid%3D222007%26alg0%3DSIC.MBE%26ao%3D1%26asc%3D37437%26meid%3Dbcf59a843d264514a693e4a431788fa6%26pid%3D100011%26rk%3D2%26rkt%3D5%26sd%3D221450956819. Retrieved Aug. 16, 2017. 3 pages.

Ebay, OPENBOX Picnic Time Zuma Insulated Cooler Backpack Black, https://www.ebay.com/p/OPENBOX-Picnic-Time-Zuma-Insulated-Cooler-Backpack-Black/691169840?_trksid=p2047675.m4097.19055. Retrieved Aug. 16, 2017. 8 pages.

Ebay, Picnic Time ‘Zuma’ Insulated Cooler Backpack Black. https://www.ebay.com/sch/sis/html?_itemld=291849751107&_nkw=Picnic+Time+Zuma. Retrieved Aug. 16, 2004. 11 pages.

Groupon Goods, Polar Pack 24-Can Insulated Cooler, <https://www.groupon.com/dealsigg-24-can-double-cooler>, Retrieved Aug. 16, 2017. 2 pages.

Polar Bear Coolers, H2O Waterproof Backpack Cooler, <http://www.polarbearcoolers.com/product/backpack-H2O.html>. Retrieved Aug. 17, 2017. 15 pages.

Rakuten Global Market, Cooler bag Nike thermos cooler box insulated bag leisure bag Nike/Sports Cooler 5 I REE-005N 05P. https://global.rakuten.com/en/store/kanerin/iteminkree005n/?s-id=borderless_recommend_item_en. Dated May 30, 2015. 15 pages.

RTIC SoftPak 20, <https://www.rticcoolers.com/shop/coolers/softpak/Rtic-SoftPak-20-Grey>, Retrieved Oct. 24, 2016. 15 pages.

Shmukler, New body-sized YETI cooler, Rambler bottles and a bigger Hopper, <http://www.hatchmag.com/articles/new-body-sized-yeti-cooler-rambler-bottles-and-bigger-hopper/7713454>. Hatch Magazine—Fly Fishing, etc., Feb. 1, 2016. 12 pages.

Yeskey, Bag Supplier, Top Sale Camping Cooler bag, lunch bag, cooler bag, http://www.yeskey.com/space/Anderson2725/products_info/Top-Sale-Camping-Cooler-bag-lunch-bag-cooler-bag-166081.html. Retrieved Aug. 16, 2017. 2 pages.

YETI, Hopper Backflip 24, <https://www.yeti.com/hopper-backflip-241YHOPBF24.html>, Apr. 10, 2018.

* cited by examiner

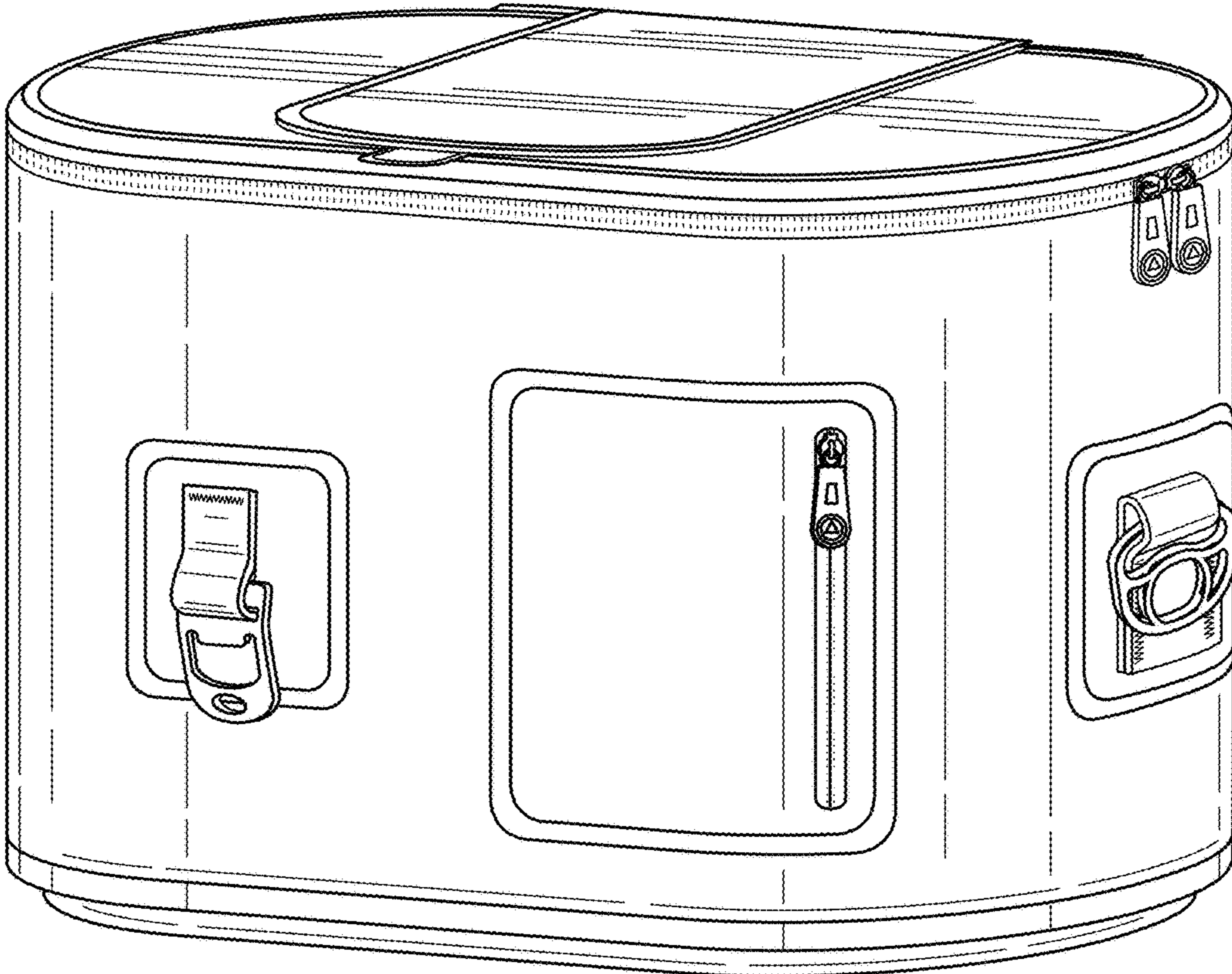


FIG. 1

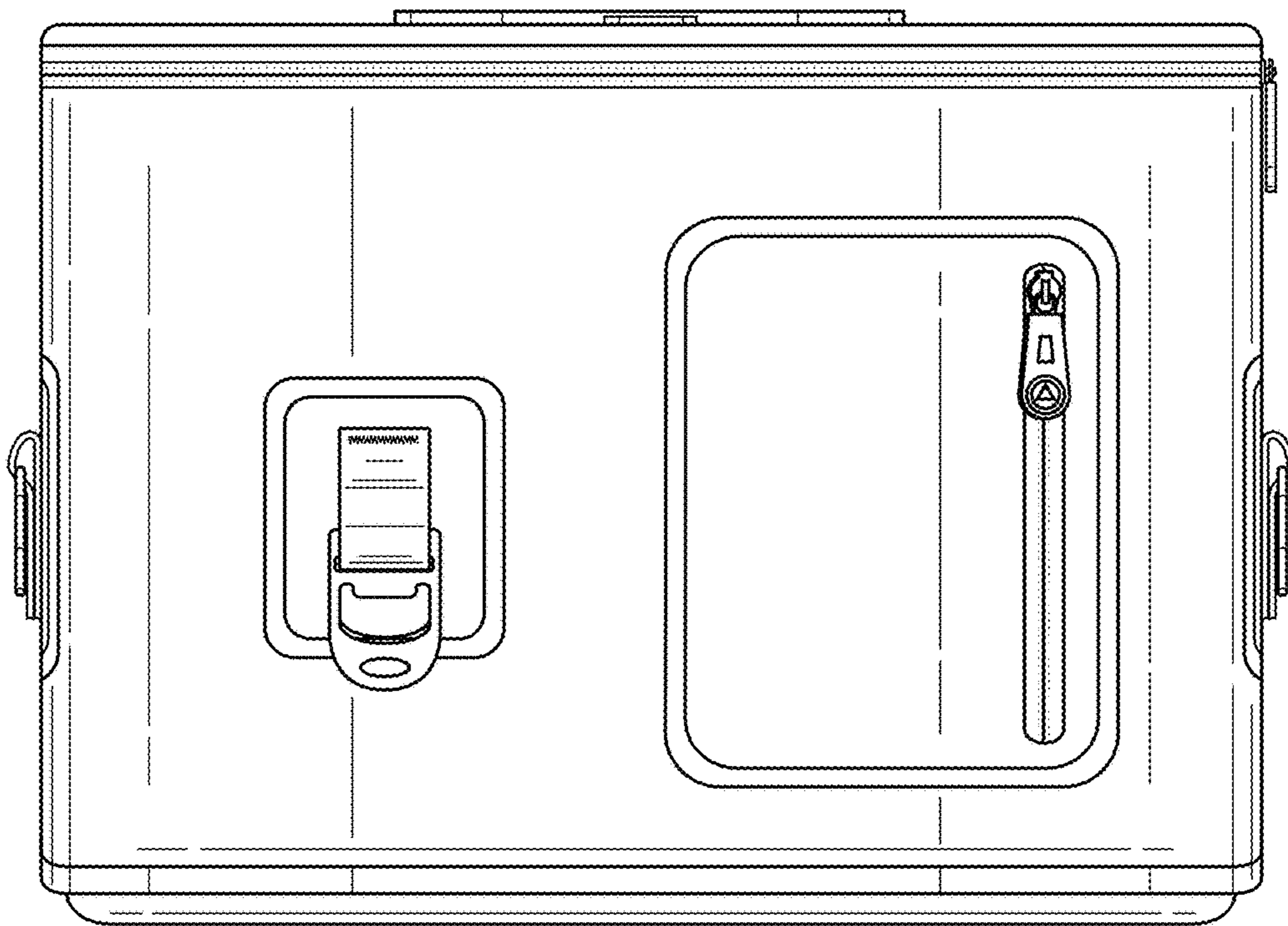


FIG. 2

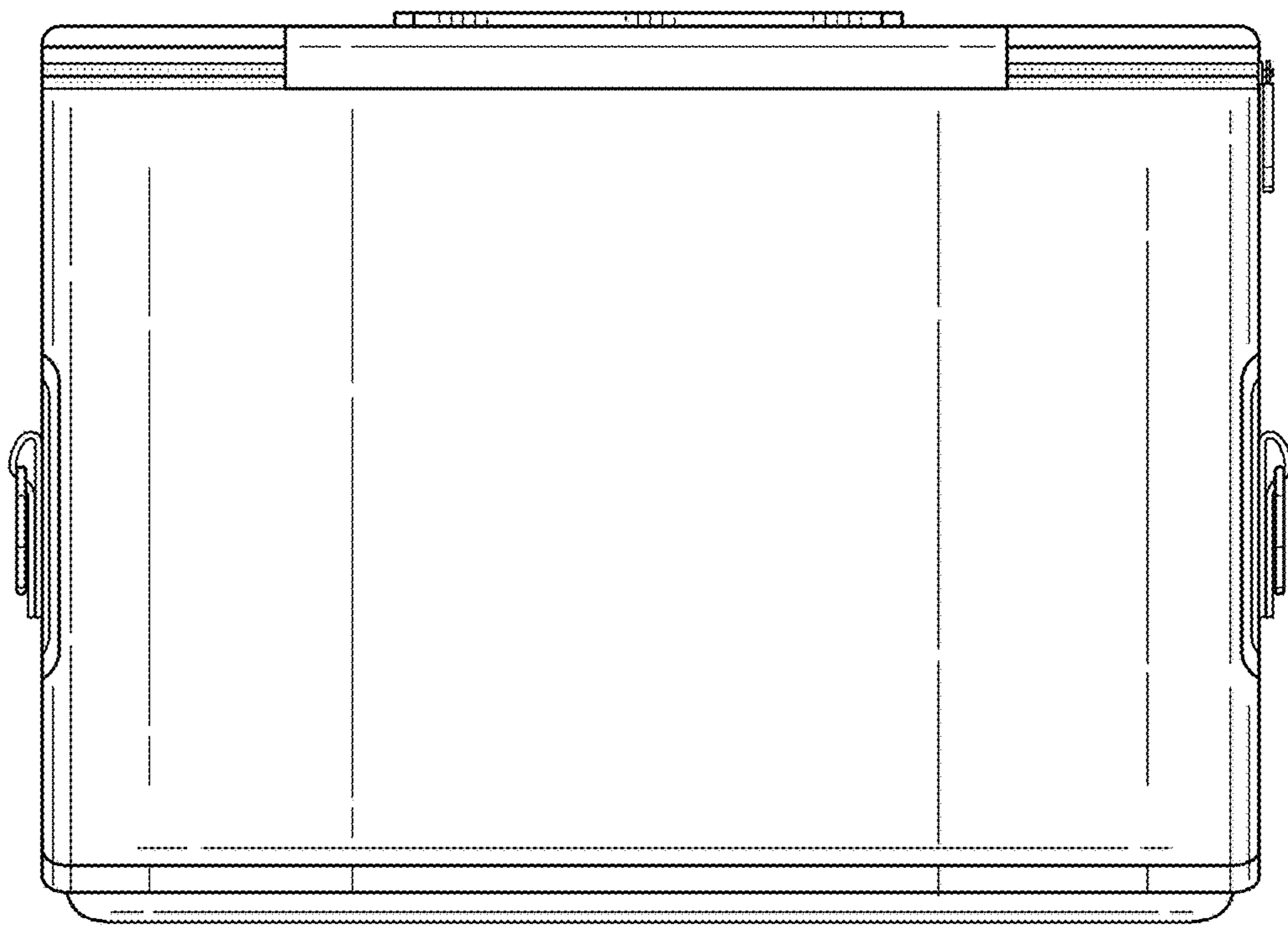


FIG. 3

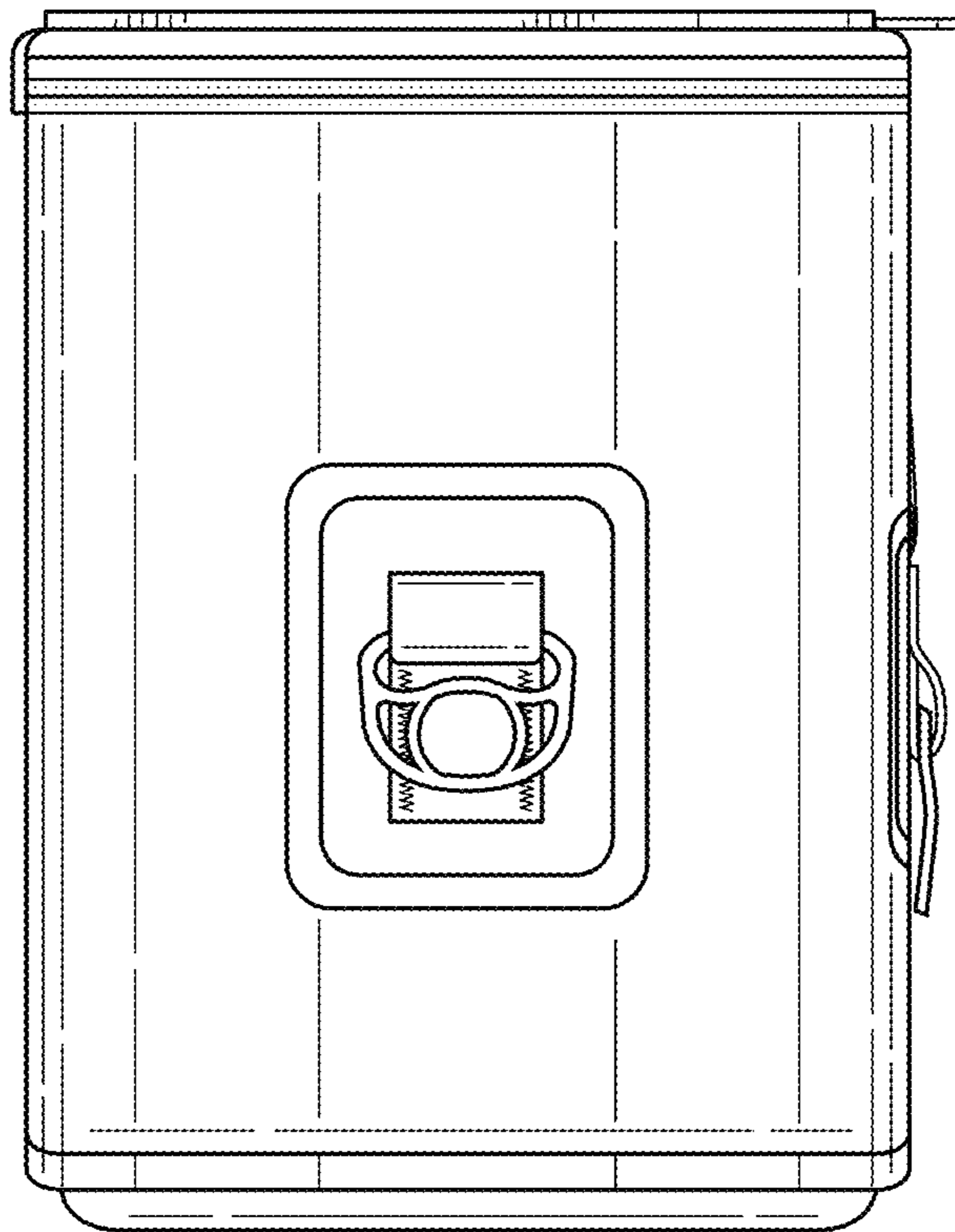


FIG. 4

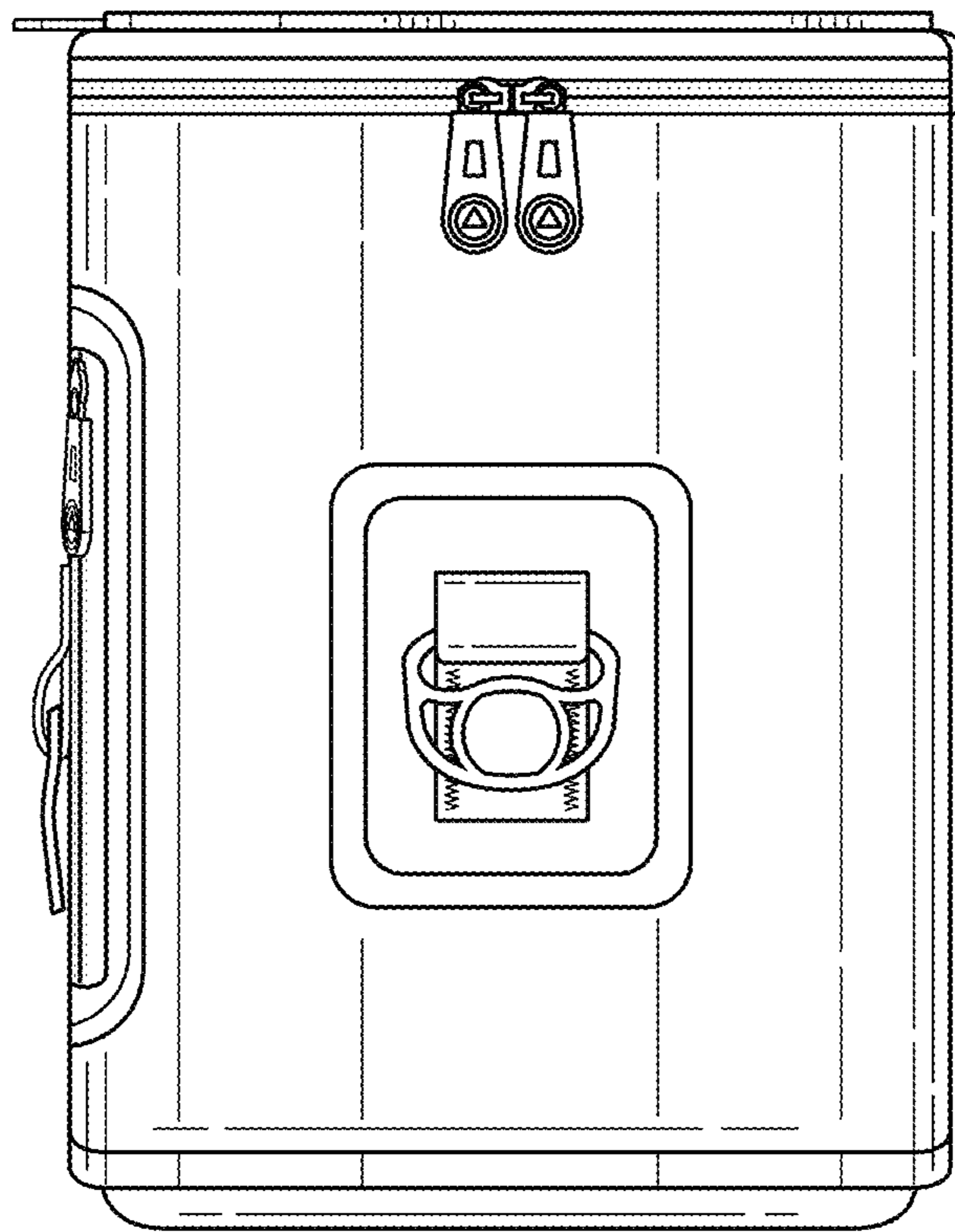


FIG. 5

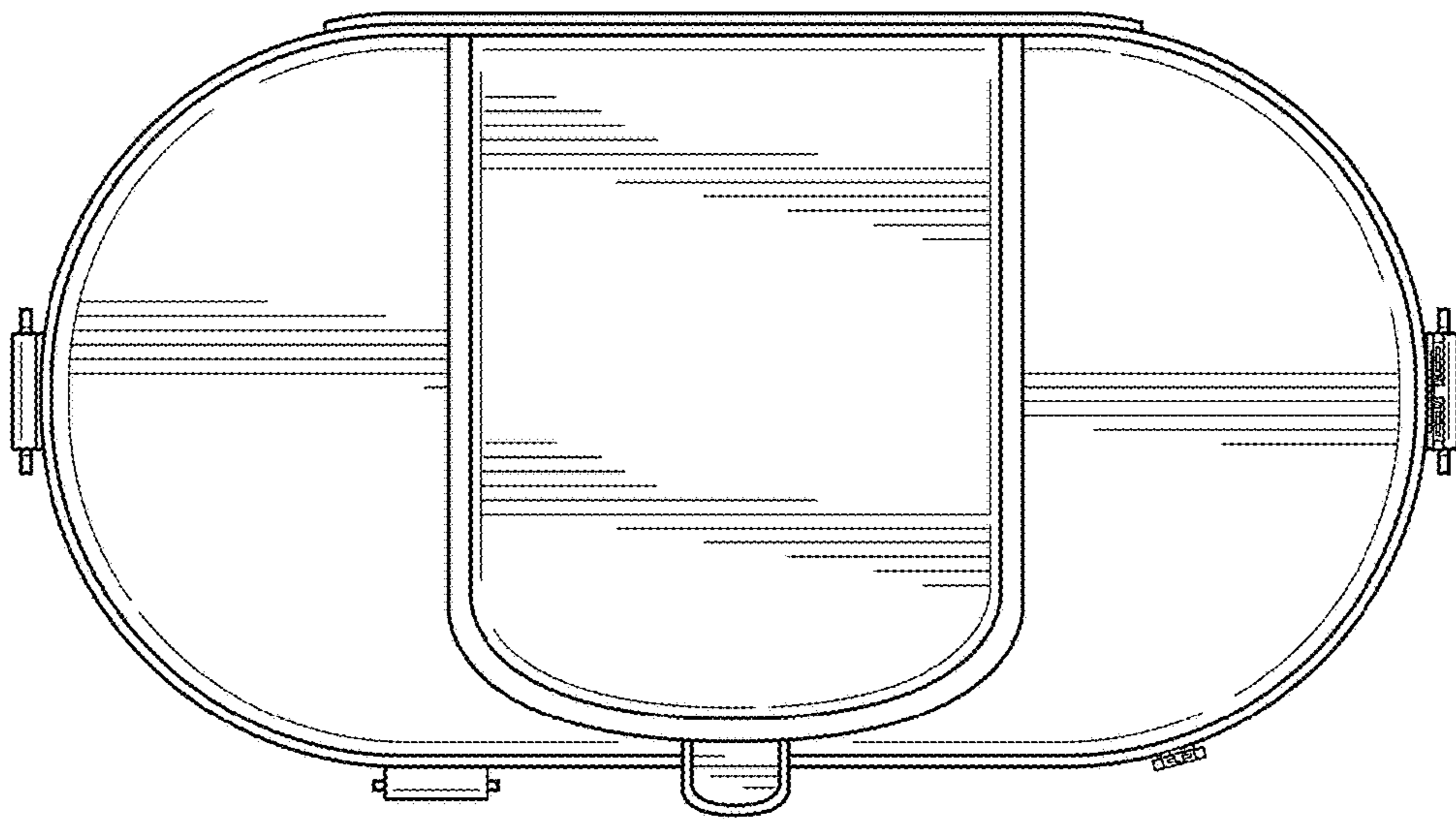


FIG. 6

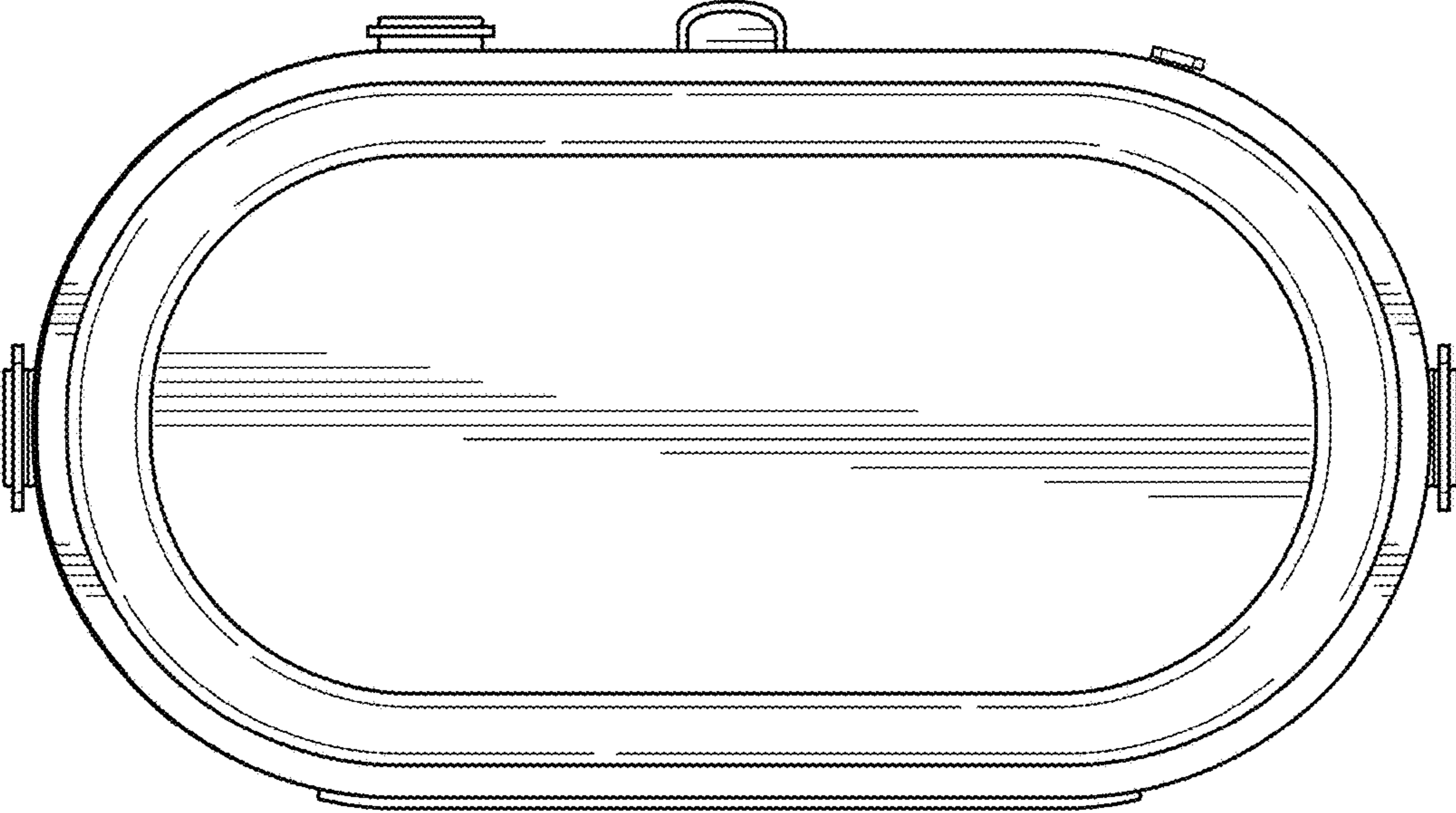


FIG. 7