



US00D833830S

(12) **United States Design Patent** (10) **Patent No.:** **US D833,830 S**  
**Goodman et al.** (45) **Date of Patent:** **\*\* Nov. 20, 2018**

(54) **FRUIT BOWL**  
(71) Applicant: **Spectrum Diversified Designs, LLC**,  
Streetsboro, OH (US)  
(72) Inventors: **Aaron Goodman**, Beachwood, OH  
(US); **Courtney Wilson**, Chardon, OH  
(US)  
(73) Assignee: **SPECTRUM DIVERSIFIED  
DESIGNS, LLC**, Streetsboro, OH (US)  
(\*\*) Term: **15 Years**  
(21) Appl. No.: **29/589,916**  
(22) Filed: **Jan. 5, 2017**  
(51) **LOC (11) Cl.** ..... **07-07**  
(52) **U.S. Cl.**  
USPC ..... **D7/601**  
(58) **Field of Classification Search**  
USPC ..... D7/584–587, 600.1–600.4, 601, 704;  
D3/304, 306; D6/676.5, 677.5, 678.4,  
D6/680.3; D19/76  
CPC .. A47F 7/007; A47F 7/02; A47F 7/022; A47F  
7/00; A47F 5/00; A47F 5/08; A47F 5/01;  
A47L 19/04  
See application file for complete search history.

D767,343 S \* 9/2016 Tsai ..... D7/601  
D774,835 S \* 12/2016 Goodman ..... D7/601  
D776,984 S \* 1/2017 Goodman ..... D7/601  
D777,525 S \* 1/2017 Hsu ..... D7/602  
D784,088 S \* 4/2017 Goodman ..... D7/601  
D784,771 S \* 4/2017 Goodman ..... D23/261  
(Continued)

**OTHER PUBLICATIONS**

Fruit Basket Stand—Bronze. Online, published date unknown.  
Retrieved on Nov. 21, 2017 from <URL: <http://www.organizeit.com/fruit-basket-stand-bronze.asp>>.\*  
(Continued)

*Primary Examiner* — Karen S Acker  
*Assistant Examiner* — Omeed Agilee  
(74) *Attorney, Agent, or Firm* — Tucker Ellis LLP

(57) **CLAIM**

The ornamental design for a fruit bowl, as shown and described.

**DESCRIPTION**

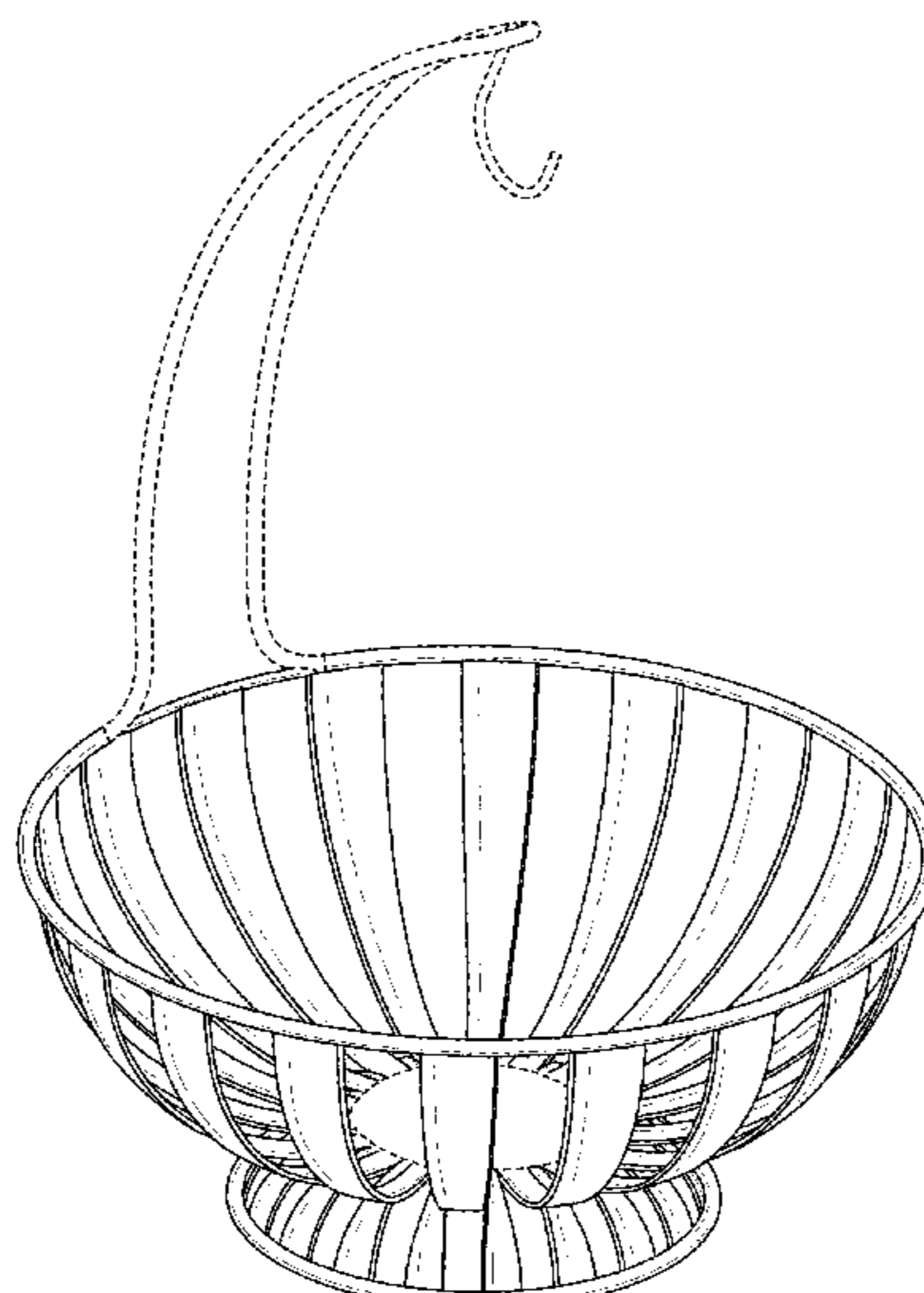
FIG. 1 is a perspective view of the first embodiment of a fruit bowl showing our new design;  
FIG. 2 is a rear view thereof.  
FIG. 3 is a front view thereof.  
FIG. 4 is a left side view thereof, a right side view being a mirror image.  
FIG. 5 is a top view thereof.  
FIG. 6 is a bottom view thereof.  
FIG. 7 is a perspective view of the second embodiment of a fruit bowl;  
FIG. 8 is a rear view thereof, a front view being the same as the rear view.  
FIG. 9 is a top view thereof; and,  
FIG. 10 is a bottom view thereof.  
The broken lines in the drawings depict portions of the fruit bowl that form no part of the claimed design.

**1 Claim, 8 Drawing Sheets**

(56) **References Cited**

**U.S. PATENT DOCUMENTS**

D533,030 S \* 12/2006 Kearney ..... D7/409  
D591,561 S \* 5/2009 Goodman ..... D7/601  
D591,569 S \* 5/2009 Cash ..... D7/704  
D648,184 S \* 11/2011 Goodman ..... D7/601  
D664,006 S \* 7/2012 Goodman ..... D7/601  
D697,374 S \* 1/2014 Goodman ..... D7/601  
D698,204 S \* 1/2014 Goodman ..... D7/601  
D698,205 S \* 1/2014 Goodman ..... D7/601  
D748,437 S \* 2/2016 Goodman ..... D7/584  
D748,950 S \* 2/2016 Goodman et al. .... D7/601  
D751,186 S \* 3/2016 Romzek ..... D23/410



(56)

**References Cited**

U.S. PATENT DOCUMENTS

D785,404 S \* 5/2017 Goodman ..... D7/500  
D786,016 S \* 5/2017 Goodman ..... D7/500  
D794,395 S \* 8/2017 Goodman ..... D7/601  
D794,396 S \* 8/2017 Goodman et al. .... D7/601

OTHER PUBLICATIONS

Elaware Fruit Basket With Banana Hanger With Antiqued Black Finish | Mesa Home Products web page, <http://www.mesahomeproducts.com/get-organized/delaware-fruit-basket-with-banana-hanger-with-antiqued-black-finish/>, dated: Dec. 19, 2017, 1 page.

\* cited by examiner

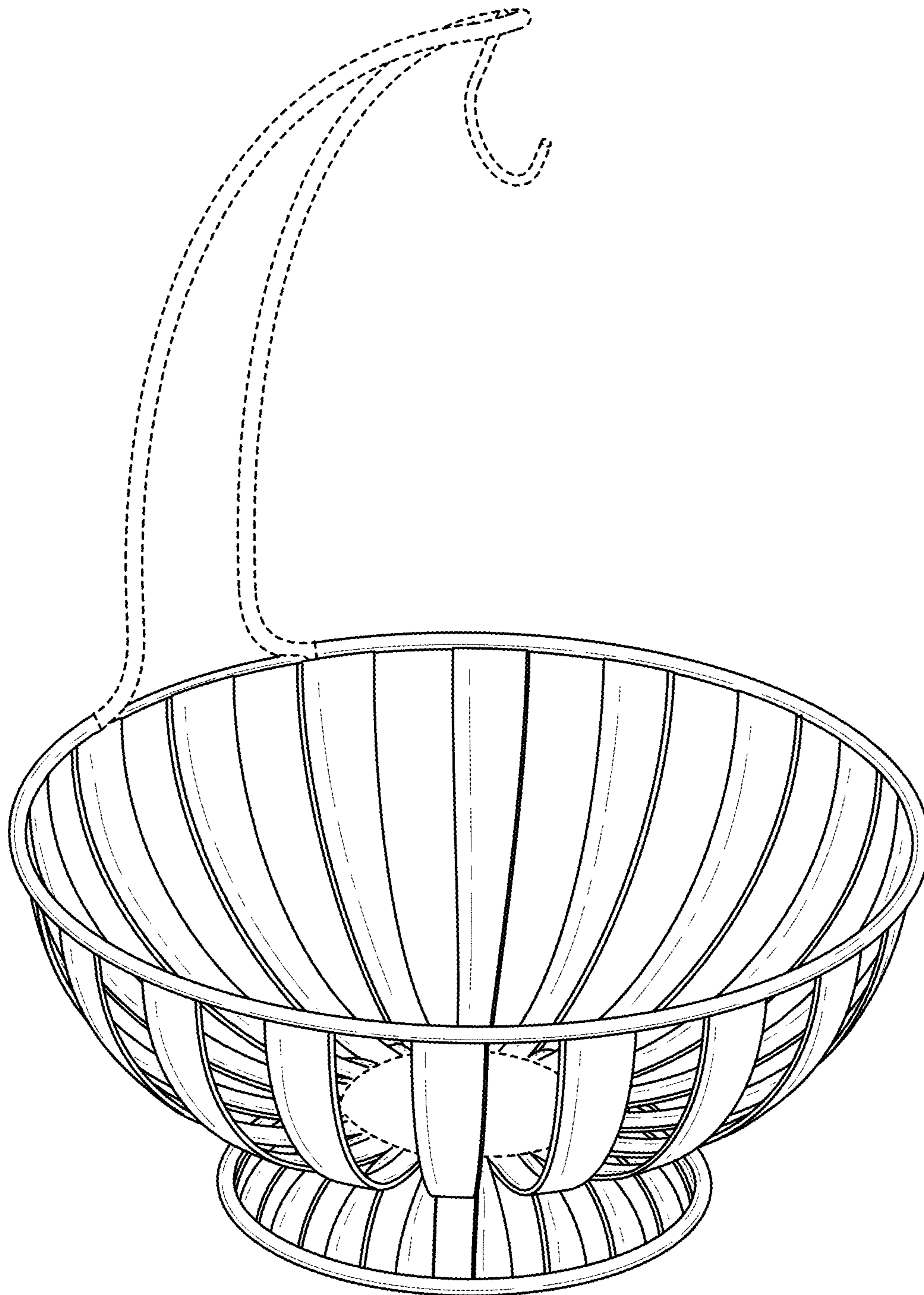


FIG. 1

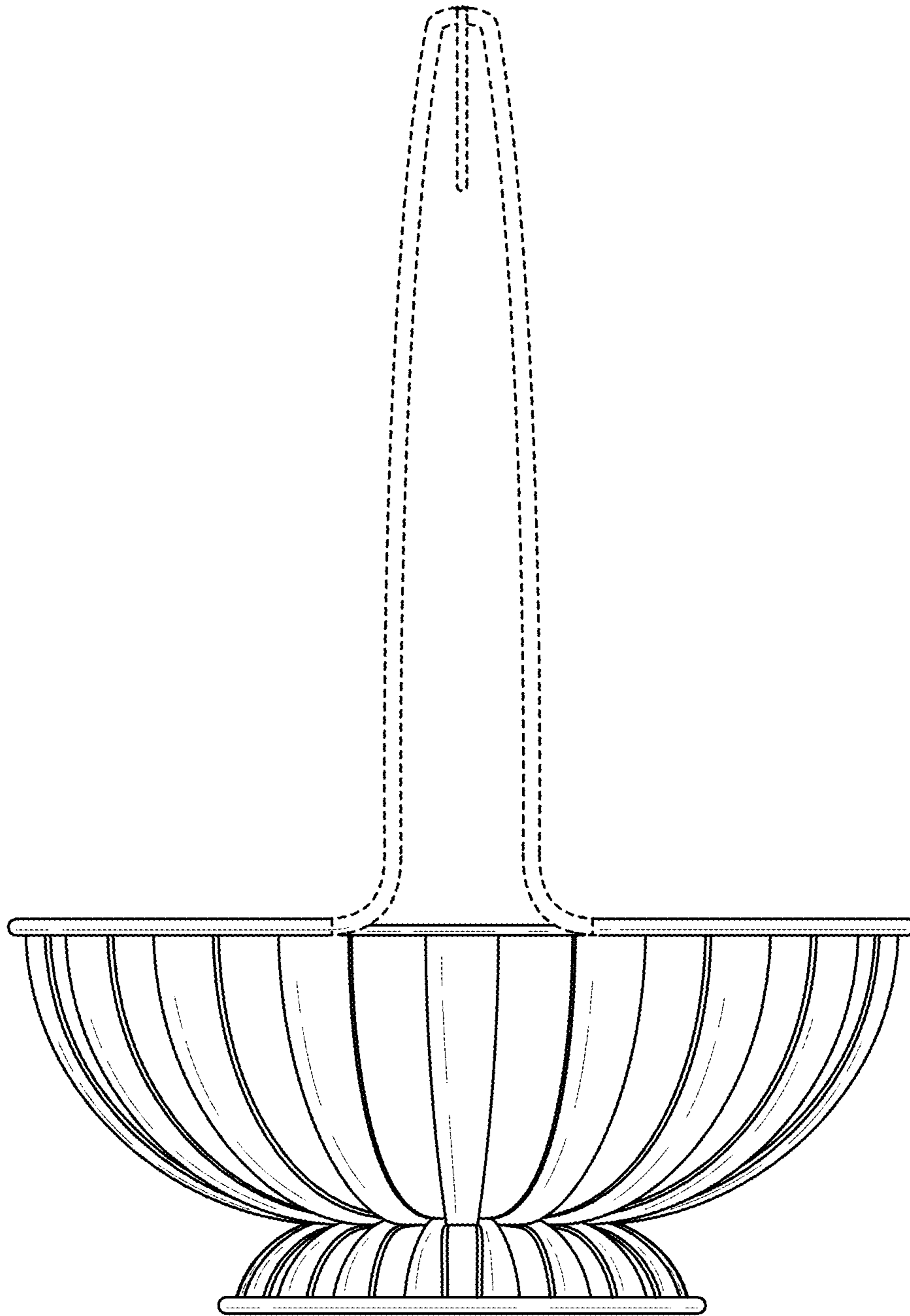


FIG. 2

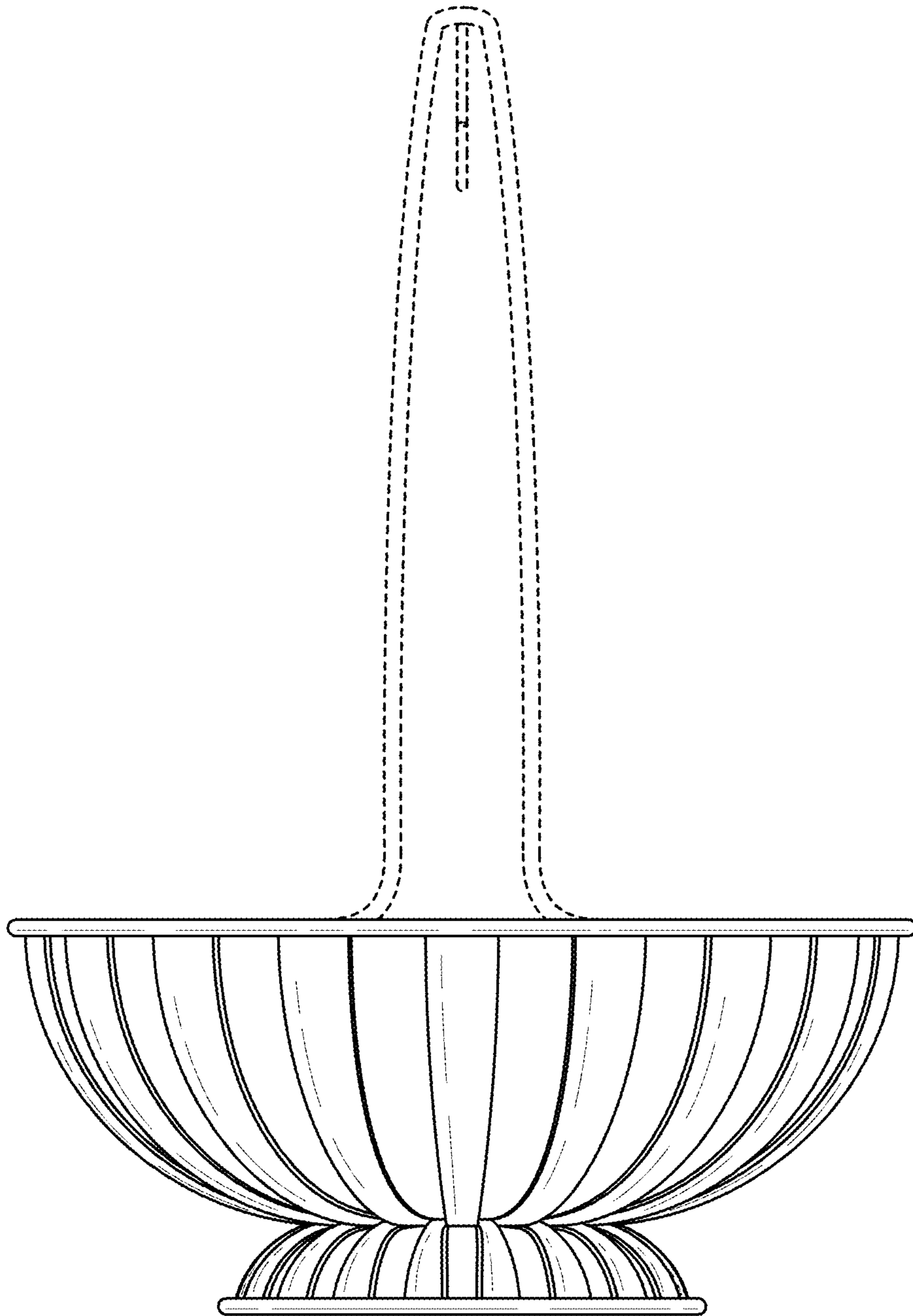


FIG. 3

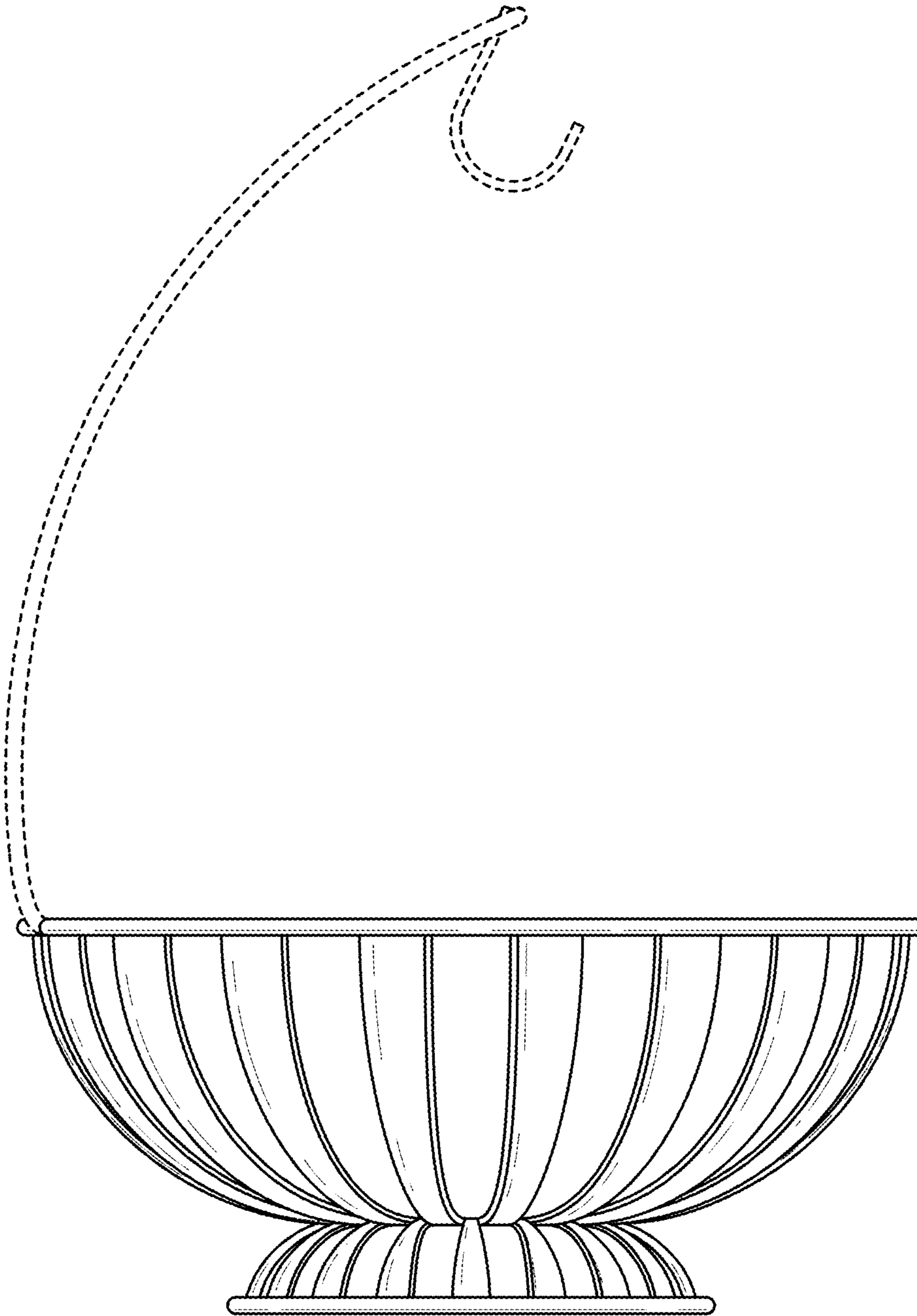


FIG. 4

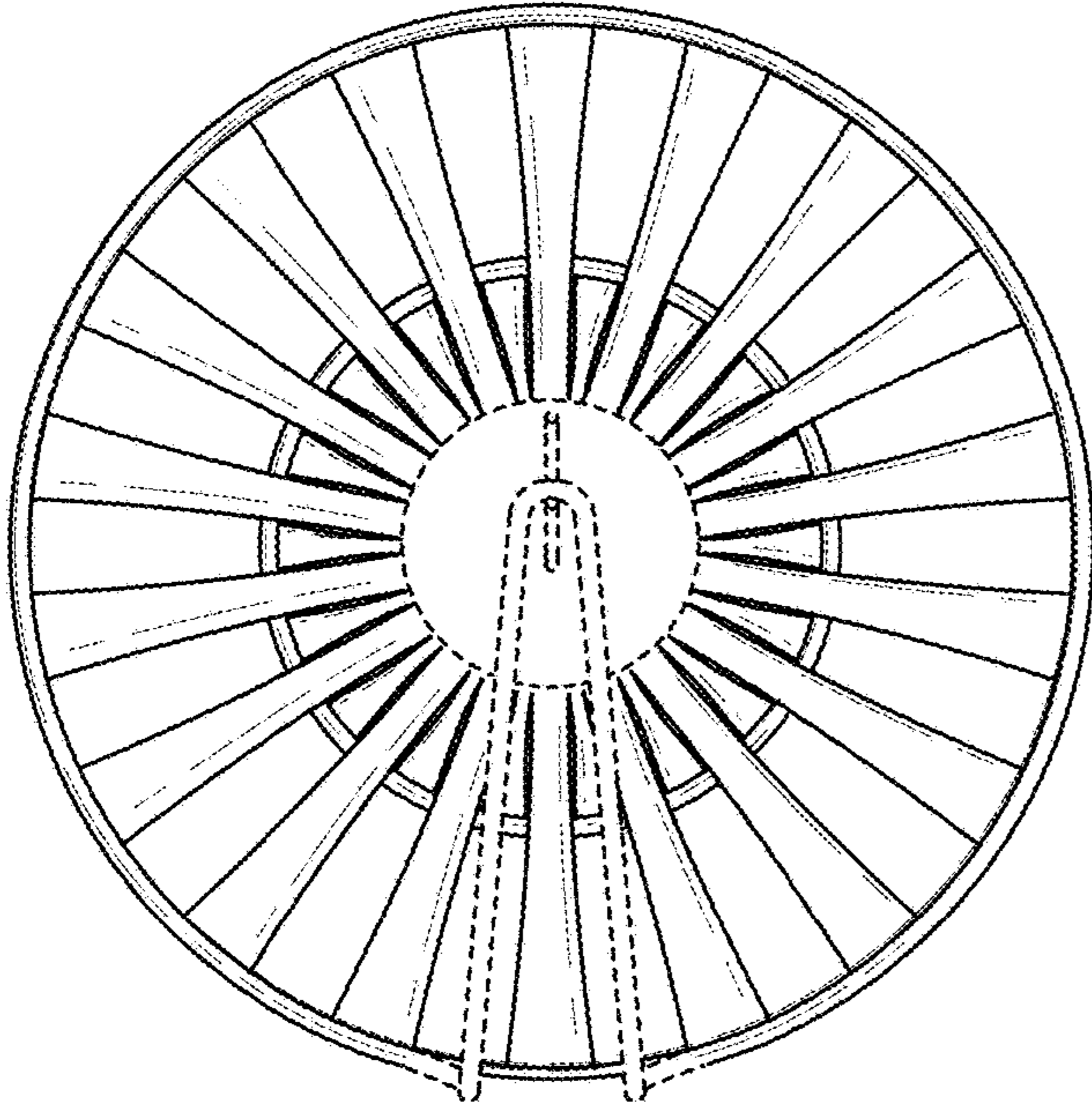


FIG. 5

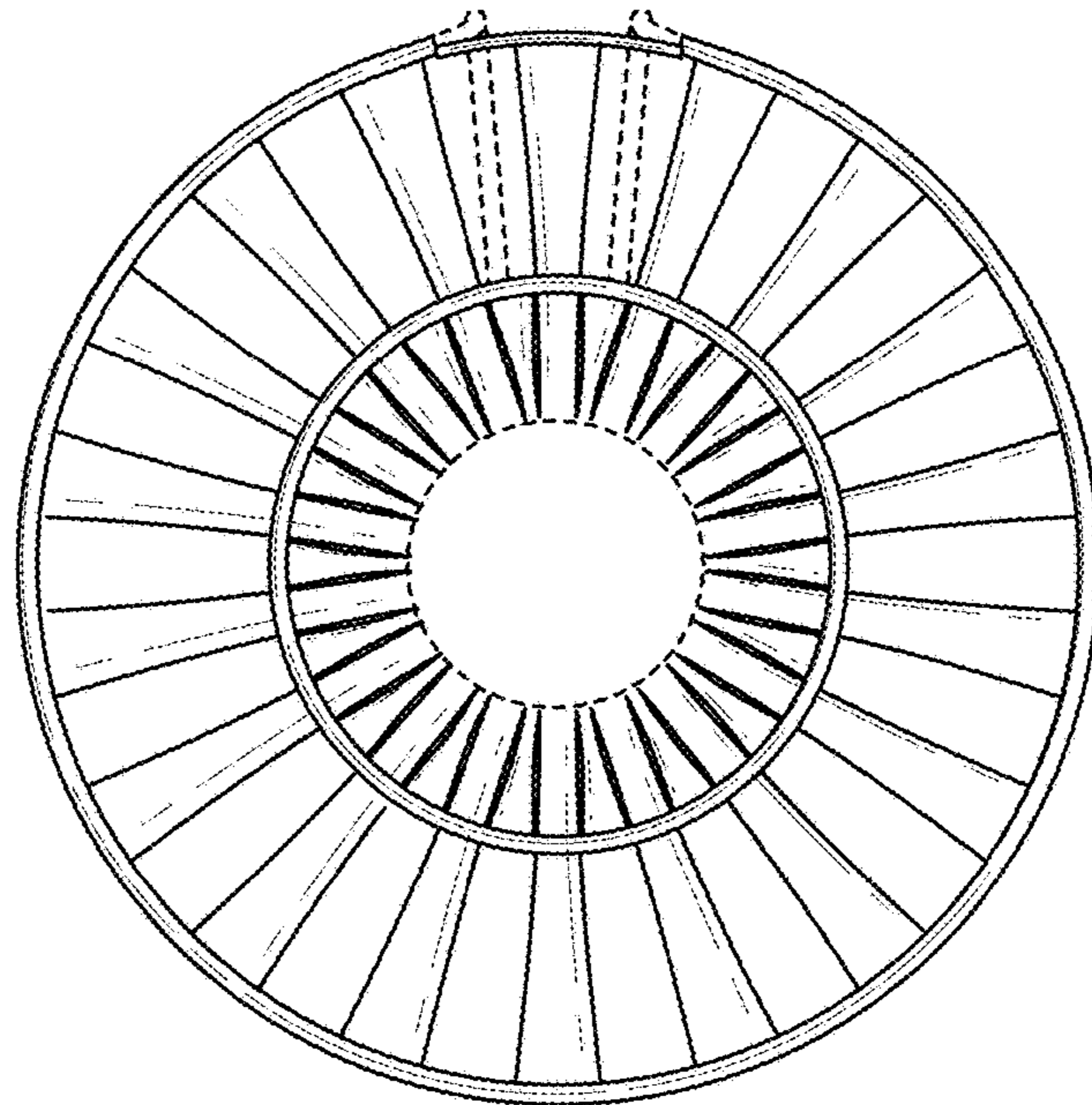


FIG. 6

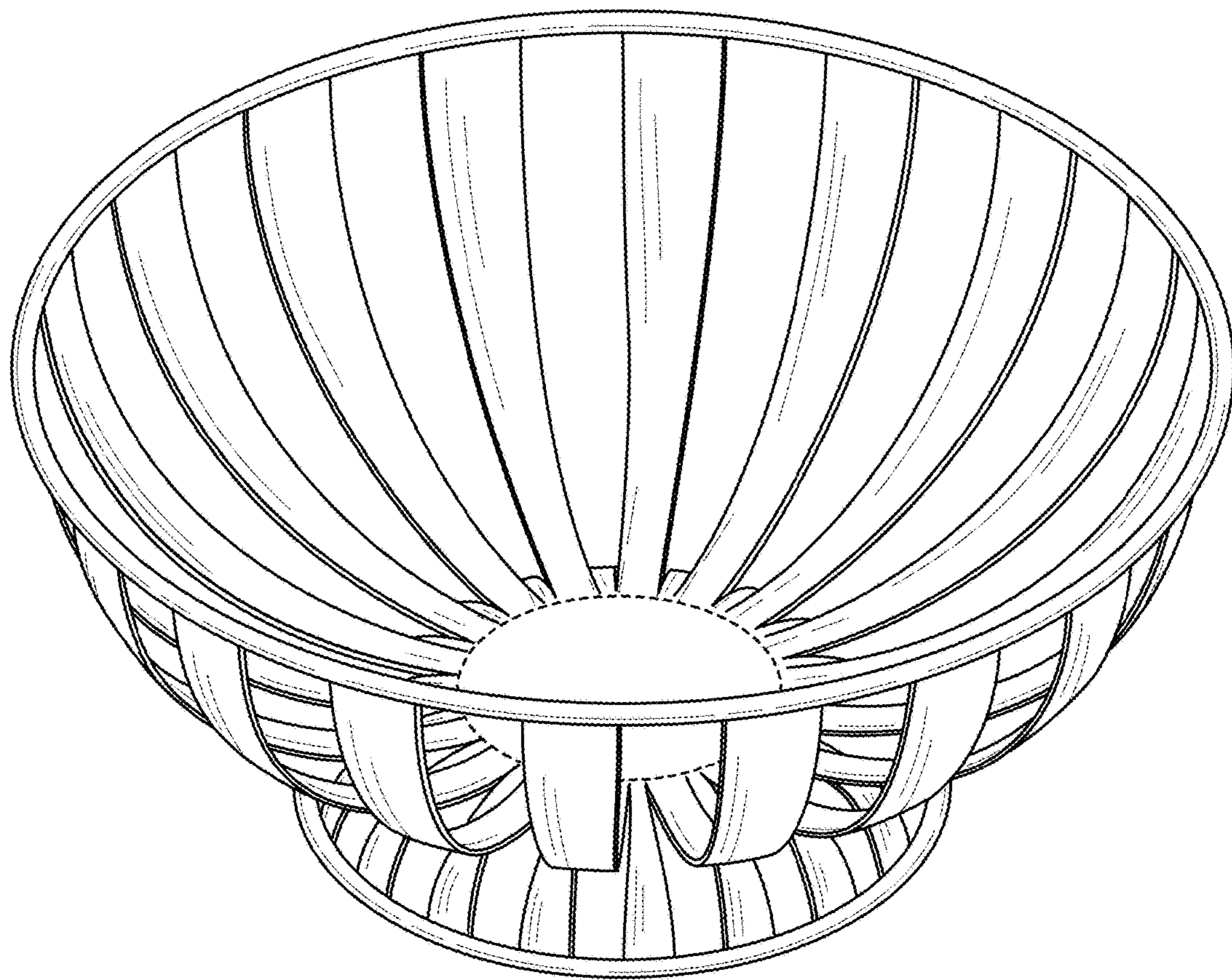


FIG. 7



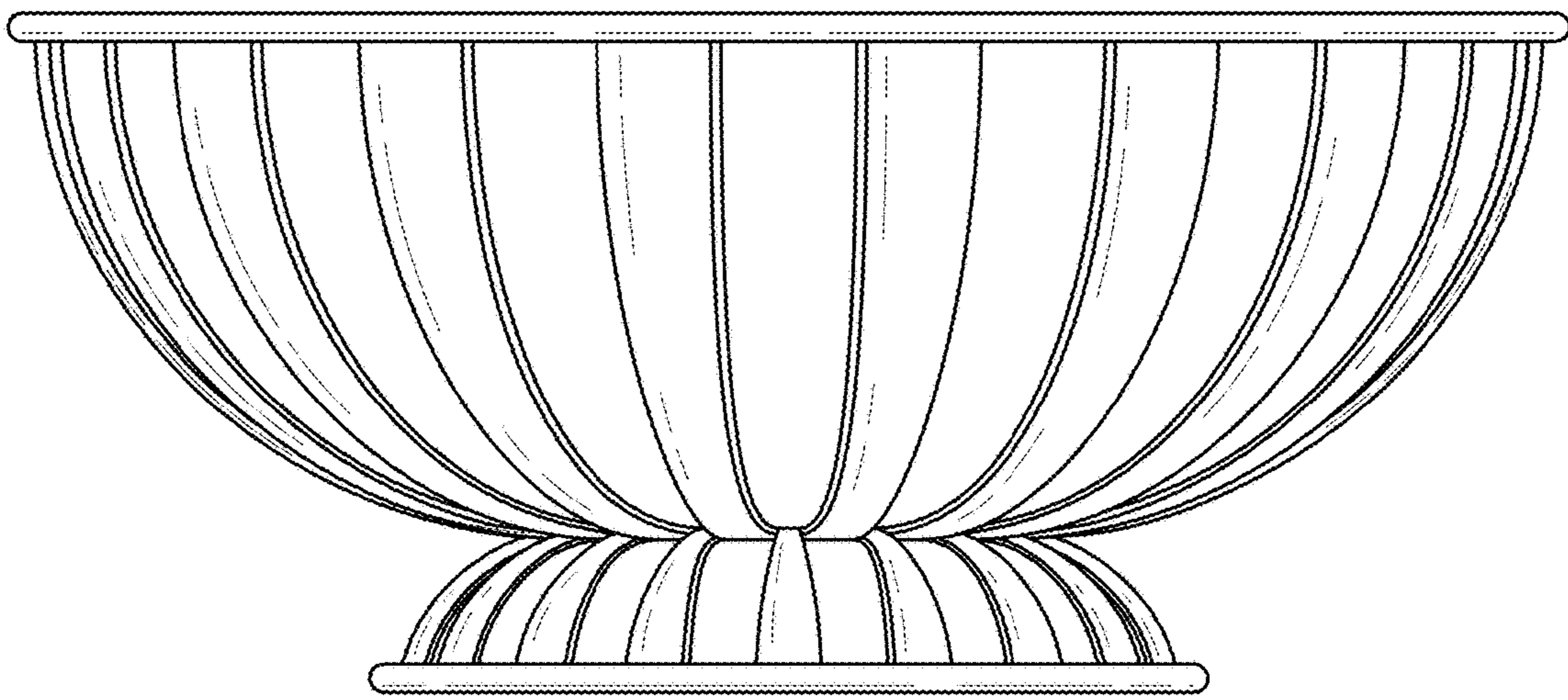


FIG. 8

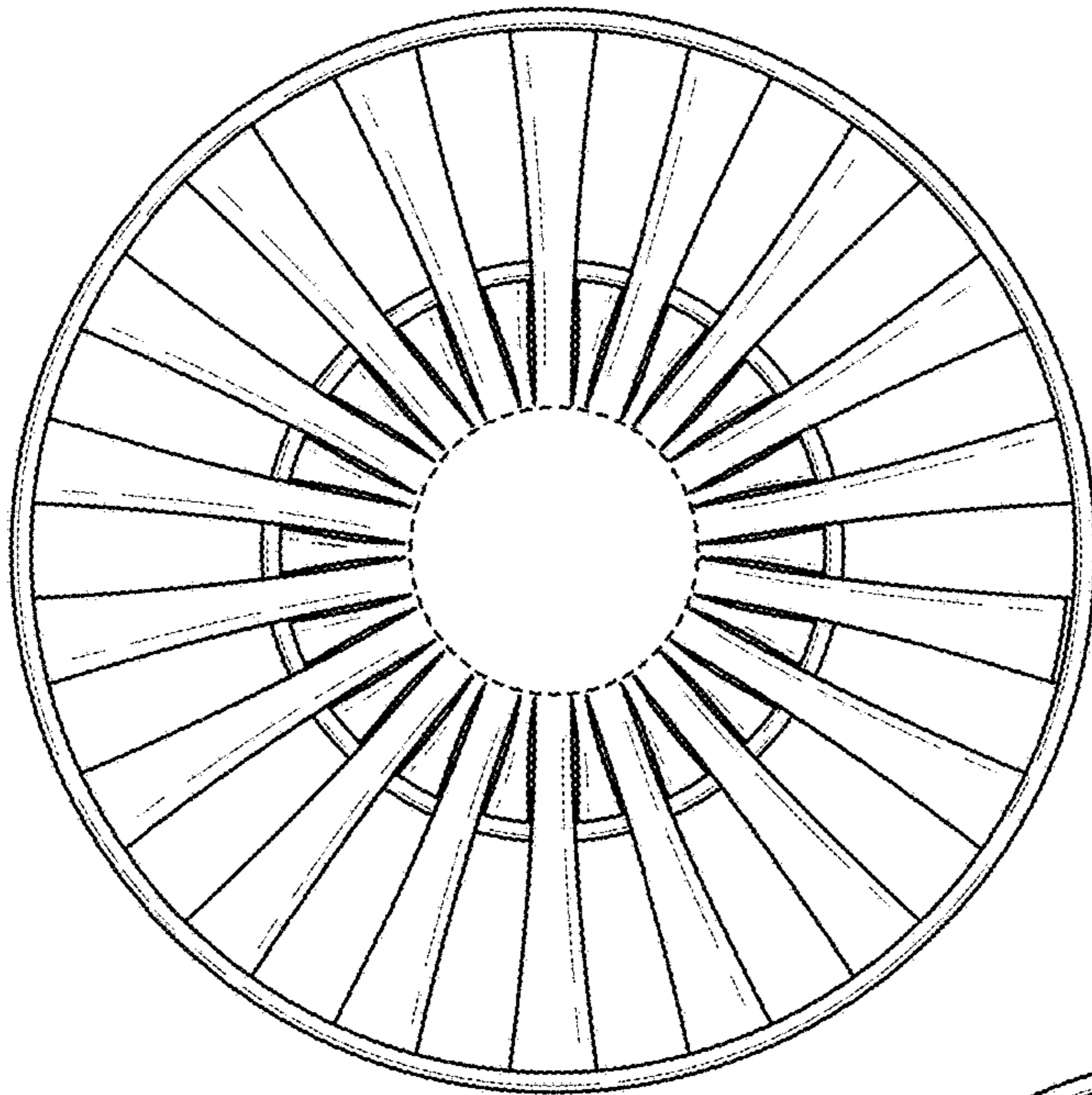


FIG. 9

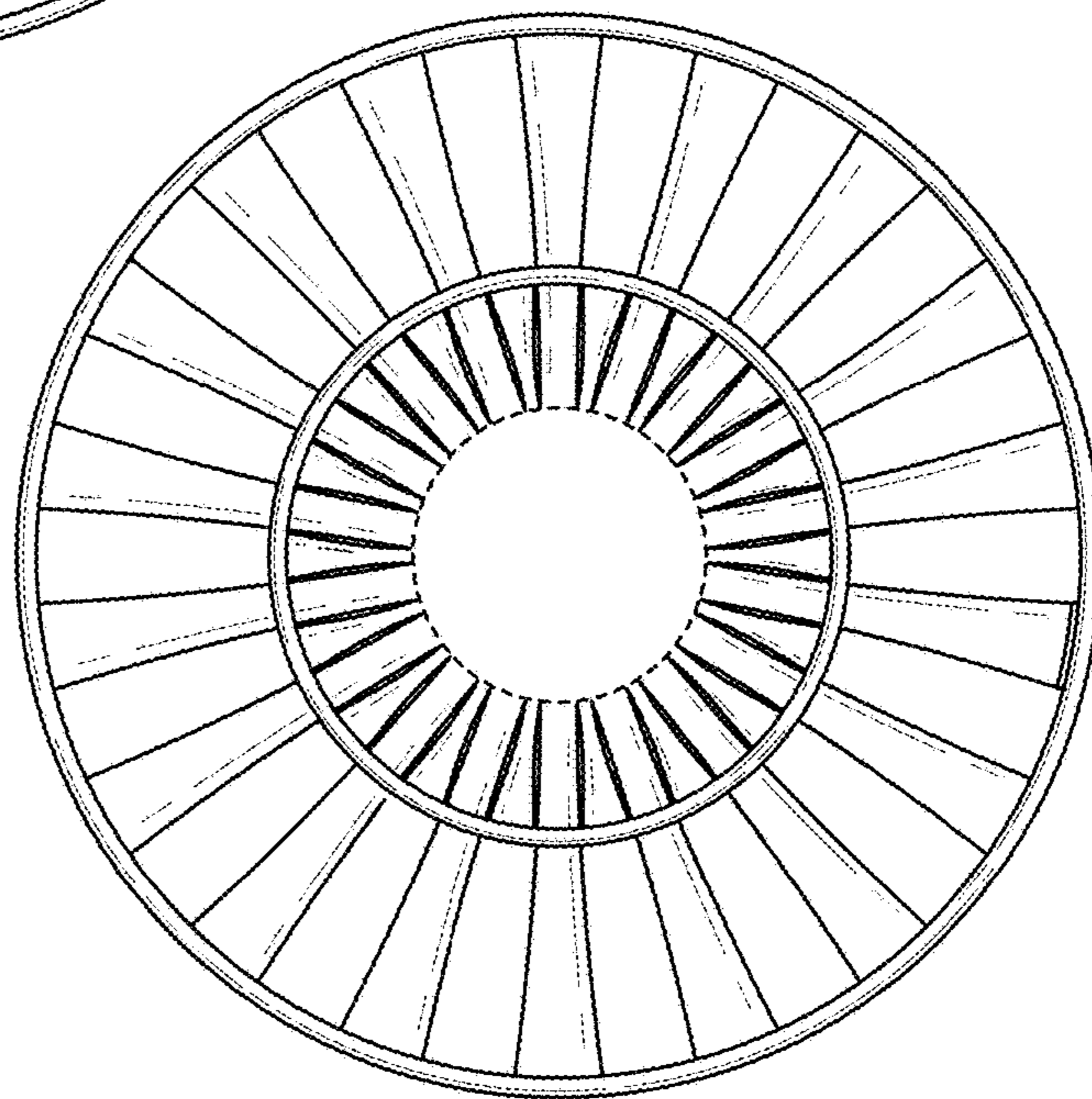


FIG. 10