



US00D833828S

(12) **United States Design Patent** (10) **Patent No.:** **US D833,828 S**
Floco (45) **Date of Patent:** **** Nov. 20, 2018**

(54) **CUPHOLDER TRAY**
(71) Applicant: **PierPoint, Inc.**, San Diego, CA (US)
(72) Inventor: **Ried Floco**, San Diego, CA (US)
(73) Assignee: **PierPoint, Inc.**, San Diego, CA (US)
(**) Term: **15 Years**

3,526,335 A 9/1970 Swett et al.
3,642,239 A 2/1972 Zeiler
3,800,939 A 4/1974 Cornelius
3,808,084 A 4/1974 Doty
3,877,603 A 4/1975 Holz
(Continued)

FOREIGN PATENT DOCUMENTS

JP 2010202262 A 9/2010

(21) Appl. No.: **29/623,929**

(22) Filed: **Oct. 27, 2017**

(51) **LOC (11) Cl.** **07-01**

(52) **U.S. Cl.**
USPC **D7/553.4**

(58) **Field of Classification Search**
USPC D7/396.4, 501, 505, 538, 540, 541-543,
D7/545-546, 549, 552.1, 553, 553.2,
D7/553.4, 553.6, 554.2; D9/424, 432,
D9/716, 719, 723-740, 744-745, 756,
D9/759-760; D30/130; D3/304, 313,
D3/315
CPC B65D 1/34; B65D 21/00; B65D 21/0204
See application file for complete search history.

OTHER PUBLICATIONS

“Travel Tray—Convenient Snack and Drink Travel Tray for Car Seats” Website [online], Travel Tray, Oct. 30, 2017 (retrieved on Feb. 6, 2018). Retrieved from the Internet: URL: <https://www.traveltray.us/>.

(Continued)

Primary Examiner — Kelley A Donnelly
(74) *Attorney, Agent, or Firm* — Eleanor Musick; Musick Davison LLP

(57) **CLAIM**

The ornamental design for a cupholder tray, as shown and described.

(56) **References Cited**

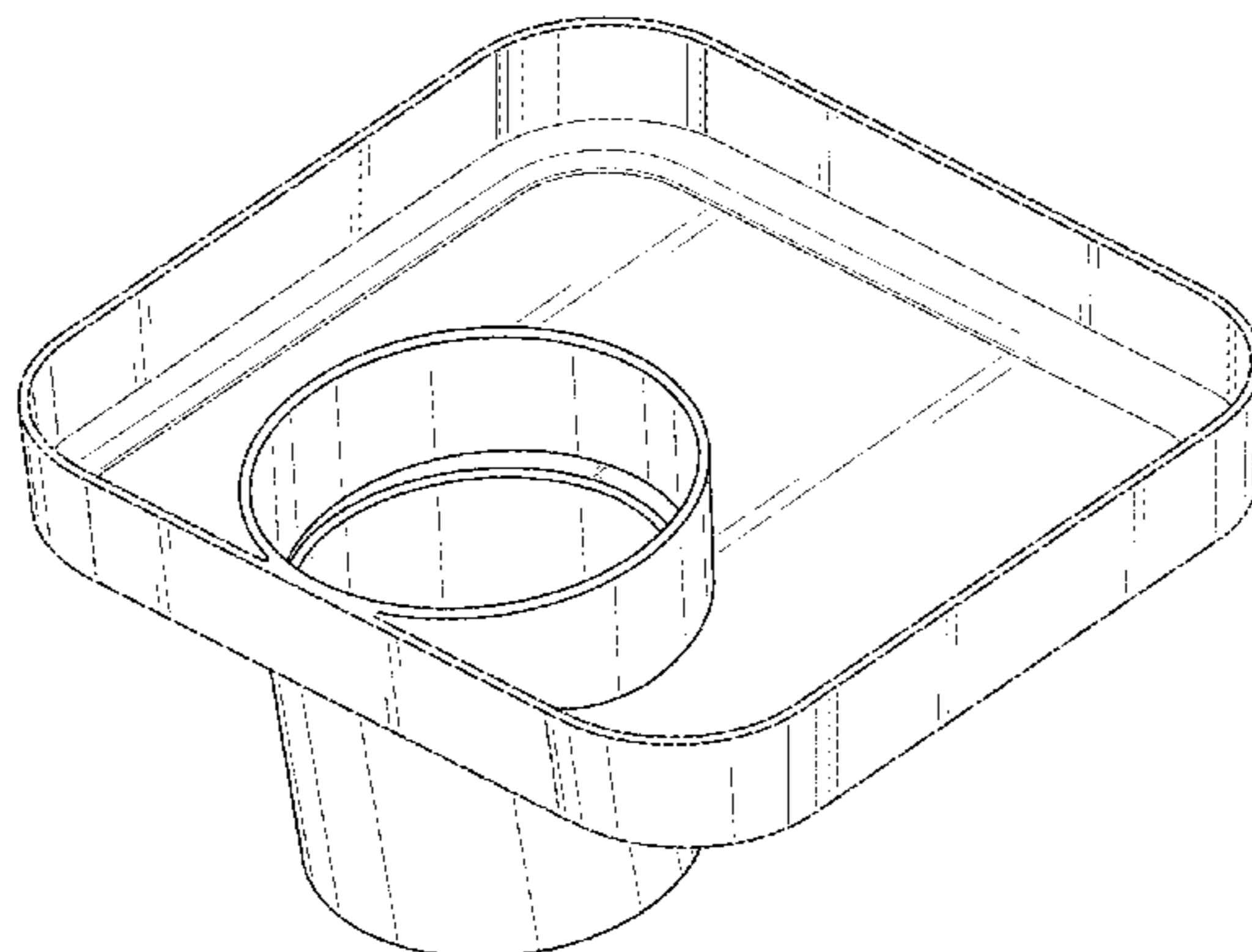
U.S. PATENT DOCUMENTS

1,544,972 A 7/1925 Gebelein
D87,682 S * 8/1932 Porter D7/543
1,872,491 A 8/1932 Noetzel
2,063,289 A 12/1936 Alusas
D105,687 S * 8/1937 Bode D7/702
2,107,023 A 2/1938 Bertsch
2,584,557 A 2/1952 Cuthbertson
2,640,595 A 6/1953 Byford
2,799,147 A 7/1957 Crawford
3,079,037 A 2/1963 Schechter
3,250,422 A 5/1966 Parish
3,257,024 A 6/1966 Semanchik
3,401,858 A 9/1968 White et al.
3,491,893 A * 1/1970 Morris A47B 13/16
211/162

DESCRIPTION

FIG. 1 is a side perspective view of the cupholder tray showing my new design;
FIG. 2 is a top plan view thereof;
FIG. 3 is a bottom plan view thereof;
FIG. 4 is a right side elevational view of the cupholder tray as shown in FIG. 3;
FIG. 5 is a left side elevational view of the cupholder tray as shown in FIG. 3;
FIG. 6 is a left side elevational view of the cupholder tray as shown in FIG. 1; and,
FIG. 7 is a right side elevational view of the cupholder tray as shown in FIG. 1.

1 Claim, 6 Drawing Sheets



(56)

References Cited

U.S. PATENT DOCUMENTS

3,949,876 A 4/1976 Bridges et al.
 4,040,549 A 8/1977 Sadler
 4,071,163 A 1/1978 Martin
 4,208,006 A 6/1980 Bixler et al.
 4,334,623 A * 6/1982 Geary A47G 23/0208
 211/131.1
 D270,324 S * 8/1983 French D7/505
 4,516,685 A * 5/1985 French A47G 19/06
 206/563
 4,524,701 A 6/1985 Chappell
 D291,957 S 9/1987 Stevens
 D298,296 S * 11/1988 Washburn D7/553.6
 4,798,413 A 1/1989 Capelli
 4,969,618 A 11/1990 Thompson
 5,114,108 A 5/1992 Olschansky
 D326,588 S * 6/1992 Meisel D7/549
 5,118,063 A 6/1992 Young
 5,135,195 A 8/1992 Dane
 5,171,077 A 12/1992 Jondahl et al.
 D342,421 S * 12/1993 DuBow D7/708
 5,330,145 A 7/1994 Evans et al.
 5,335,787 A 8/1994 Finchum et al.
 D353,289 S 12/1994 Ayotte et al.
 5,421,459 A 6/1995 Mazzotti
 D359,885 S * 7/1995 Yanuzzi D7/549
 5,598,944 A 2/1997 Aragona
 5,601,268 A 2/1997 Dunchock
 D378,334 S 3/1997 Legere
 5,651,523 A 7/1997 Bridges
 D382,727 S 8/1997 Kresge et al.
 5,702,041 A 12/1997 Sun et al.
 5,711,595 A * 1/1998 Gerbe A47G 23/06
 362/154
 5,713,628 A 2/1998 Lucatuorto
 5,769,264 A * 6/1998 Lipkowitz A47G 23/0625
 220/23.83
 5,772,050 A * 6/1998 Shih B41K 1/58
 211/163
 D398,480 S 9/1998 Chica
 D404,218 S 1/1999 Sussman
 5,865,124 A 2/1999 Wroe
 5,897,041 A 4/1999 Ney et al.
 D410,820 S * 6/1999 Lofrano D7/507
 5,953,999 A 9/1999 Kanehl
 5,954,195 A 9/1999 Krueger et al.
 5,971,139 A 10/1999 Bradley
 D415,930 S * 11/1999 Schmidt D7/553.1
 6,021,914 A * 2/2000 Schmidt A47G 19/06
 220/23.83
 6,036,020 A 3/2000 Distler
 6,109,580 A 8/2000 Stern et al.
 6,113,049 A 9/2000 Miljanich
 6,152,302 A 11/2000 Miller et al.
 D442,830 S * 5/2001 Raucci D7/553.5
 6,264,026 B1 7/2001 Bradley
 D453,891 S * 2/2002 Sussman D7/553.1
 6,360,885 B1 3/2002 Krueger et al.
 6,401,927 B1 6/2002 Sorensen et al.
 6,425,480 B1 7/2002 Krueger et al.
 6,511,030 B1 1/2003 Kelley
 6,533,233 B2 3/2003 Thomas
 6,651,836 B1 11/2003 Hofheins et al.
 6,682,034 B1 1/2004 Vial
 6,732,990 B2 5/2004 Hudson
 D506,357 S * 6/2005 Price D7/553.6
 D508,373 S * 8/2005 Corrieri D7/553.6

D509,104 S * 9/2005 Price D7/553.4
 6,964,443 B1 * 11/2005 Newton A47G 23/0208
 206/217
 D524,108 S * 7/2006 Price D7/553.4
 D560,973 S * 2/2008 Parlowski D7/553.8
 7,334,908 B1 * 2/2008 Figueroa A47G 23/0208
 362/101
 D563,726 S * 3/2008 Fraser D7/553.1
 D575,600 S * 8/2008 Mayer D7/553.1
 D576,455 S * 9/2008 Siddle D7/701
 D581,740 S 12/2008 Ingle
 D592,813 S 5/2009 Newsome et al.
 D594,280 S * 6/2009 Wolhendler D7/549
 D594,281 S * 6/2009 Luft D7/549
 D594,705 S * 6/2009 McComas D7/546
 D595,093 S * 6/2009 McComas D7/546
 D595,094 S * 6/2009 Vernes D7/553.4
 7,562,785 B2 * 7/2009 Meissen B65D 11/1866
 220/4.28
 D604,993 S * 12/2009 Vernes D7/545
 D606,810 S * 12/2009 Clark D7/545
 D614,926 S * 5/2010 Cox D7/708
 D620,761 S * 8/2010 Boudreau D7/549
 D623,019 S 9/2010 Wildman
 D623,020 S * 9/2010 De Bretton Gordon D7/555
 D623,478 S * 9/2010 Hayashi D7/551.1
 D625,958 S * 10/2010 Deming D7/553.6
 8,015,943 B1 9/2011 Samuelson et al.
 D650,237 S * 12/2011 McComas D7/546
 D651,028 S * 12/2011 Grimaldi D6/707.2
 8,186,524 B2 * 5/2012 Siahpush A47F 5/02
 211/133.4
 8,256,639 B1 9/2012 Samuelson et al.
 8,272,512 B2 * 9/2012 Joseph A47G 23/0641
 206/563
 D686,459 S * 7/2013 Maggio D7/553.1
 D686,460 S * 7/2013 Maggio D7/553.1
 D708,062 S * 7/2014 Musi Navarro D7/702
 D712,204 S * 9/2014 Hatcher D7/553.5
 D730,124 S * 5/2015 Tollen D7/552.1
 D737,633 S * 9/2015 Breton D7/553.6
 D750,441 S * 3/2016 Hartmann D7/553.5
 D766,665 S * 9/2016 Shames D7/554.2
 D778,116 S * 2/2017 Cao D7/554.2
 D808,222 S * 1/2018 Shames D7/554.2
 D819,408 S * 6/2018 Floco D7/553.6
 2003/0141424 A1 7/2003 Thomas
 2005/0017134 A1 * 1/2005 Hooper A47G 23/0208
 248/103
 2008/0264822 A1 * 10/2008 Faiola A47G 19/06
 206/561
 2009/0120832 A1 5/2009 Munden
 2012/0031806 A1 * 2/2012 Riley A47G 23/0208
 206/563
 2012/0097574 A1 * 4/2012 Parsons A47G 19/065
 206/557
 2016/0236837 A1 8/2016 Malcolm
 2017/0245610 A1 8/2017 French
 2017/0311752 A1 11/2017 Roever et al.

OTHER PUBLICATIONS

PCT/US2017/067752 International Search Report and Written Opinion, dated Mar. 8, 2018, 7 pages.
 Uxcell Vehicle Car Tray—Amazon.com listing accessed May 8, 2017.

* cited by examiner

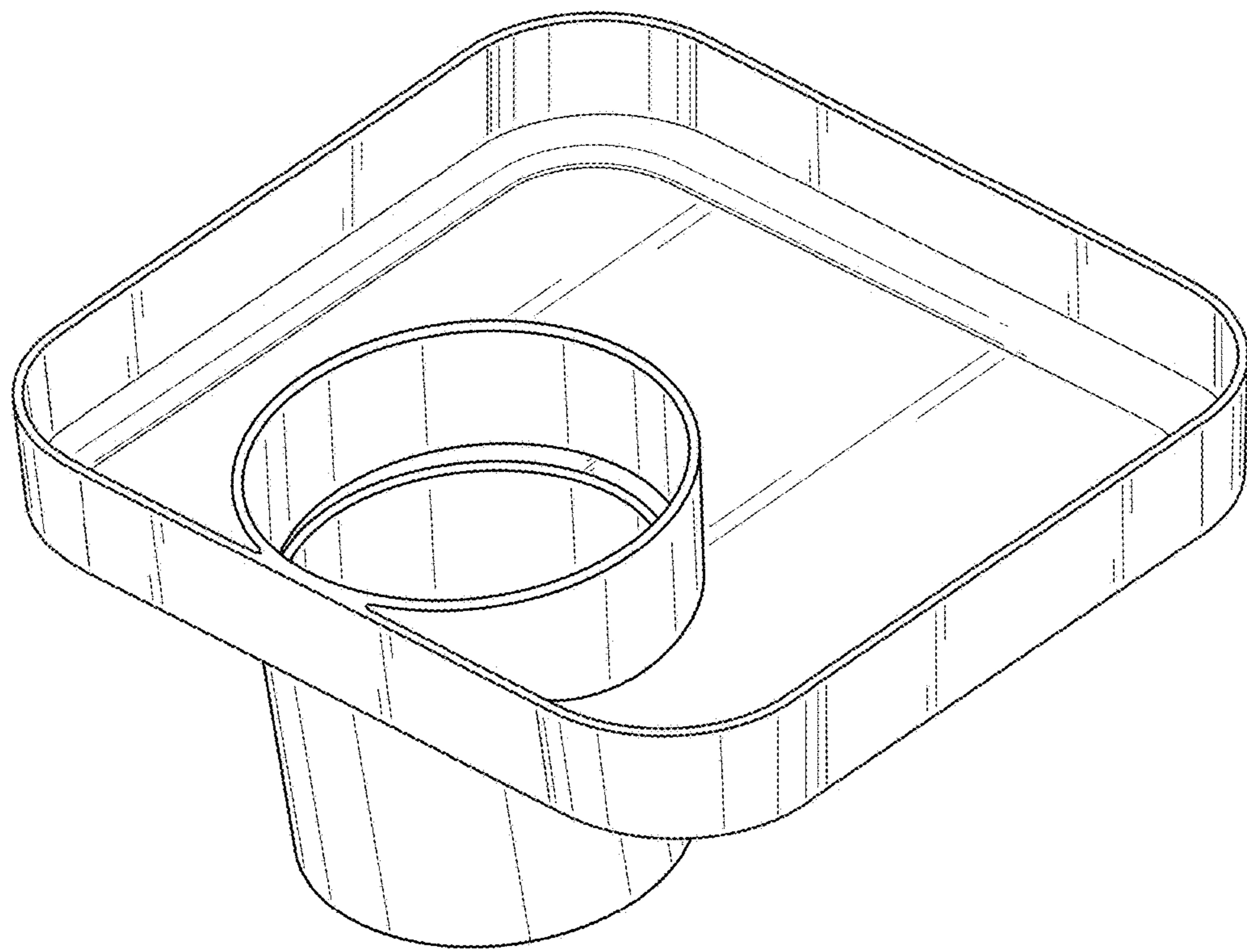


FIG. 1

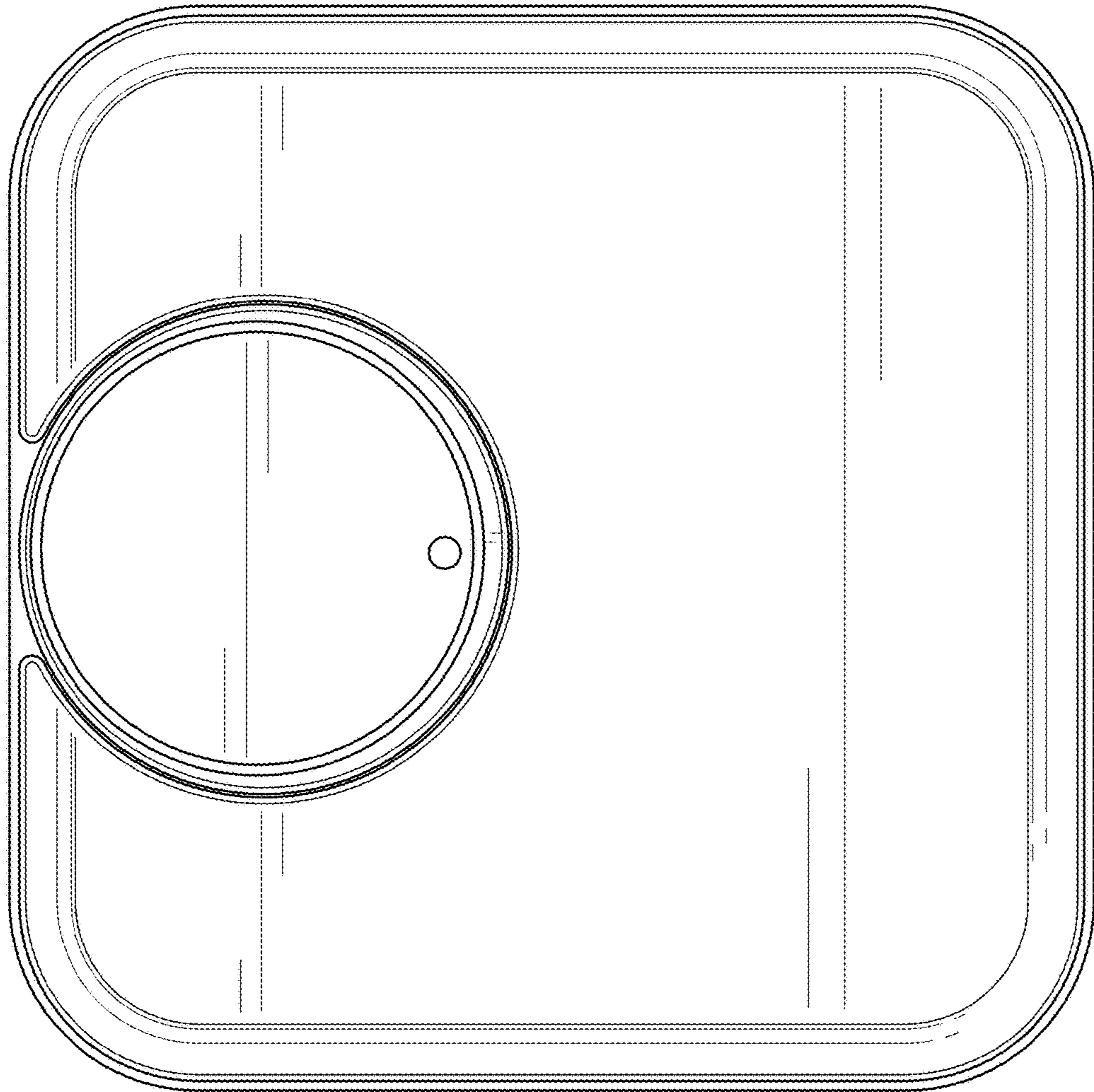


FIG. 2

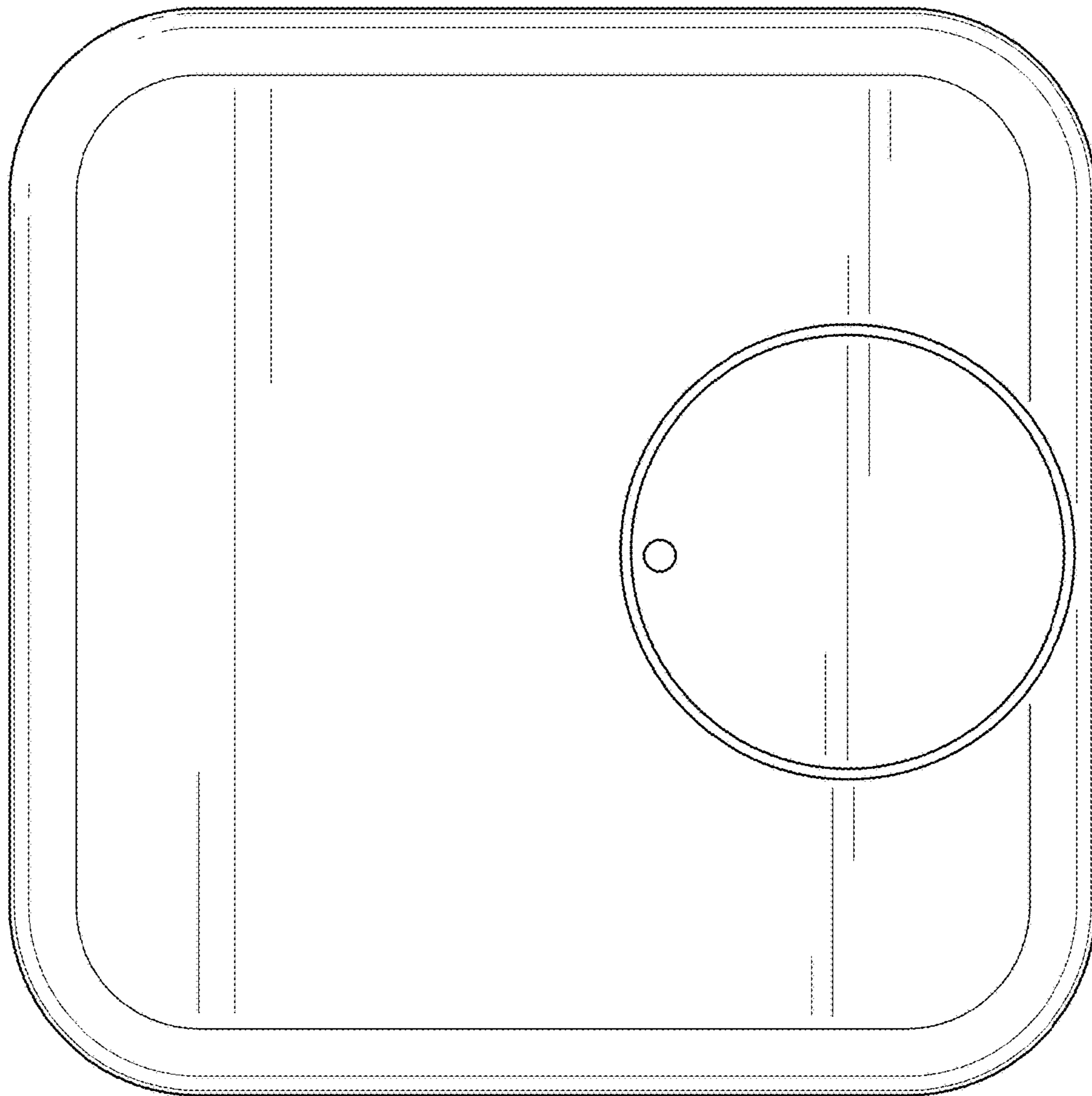


FIG. 3

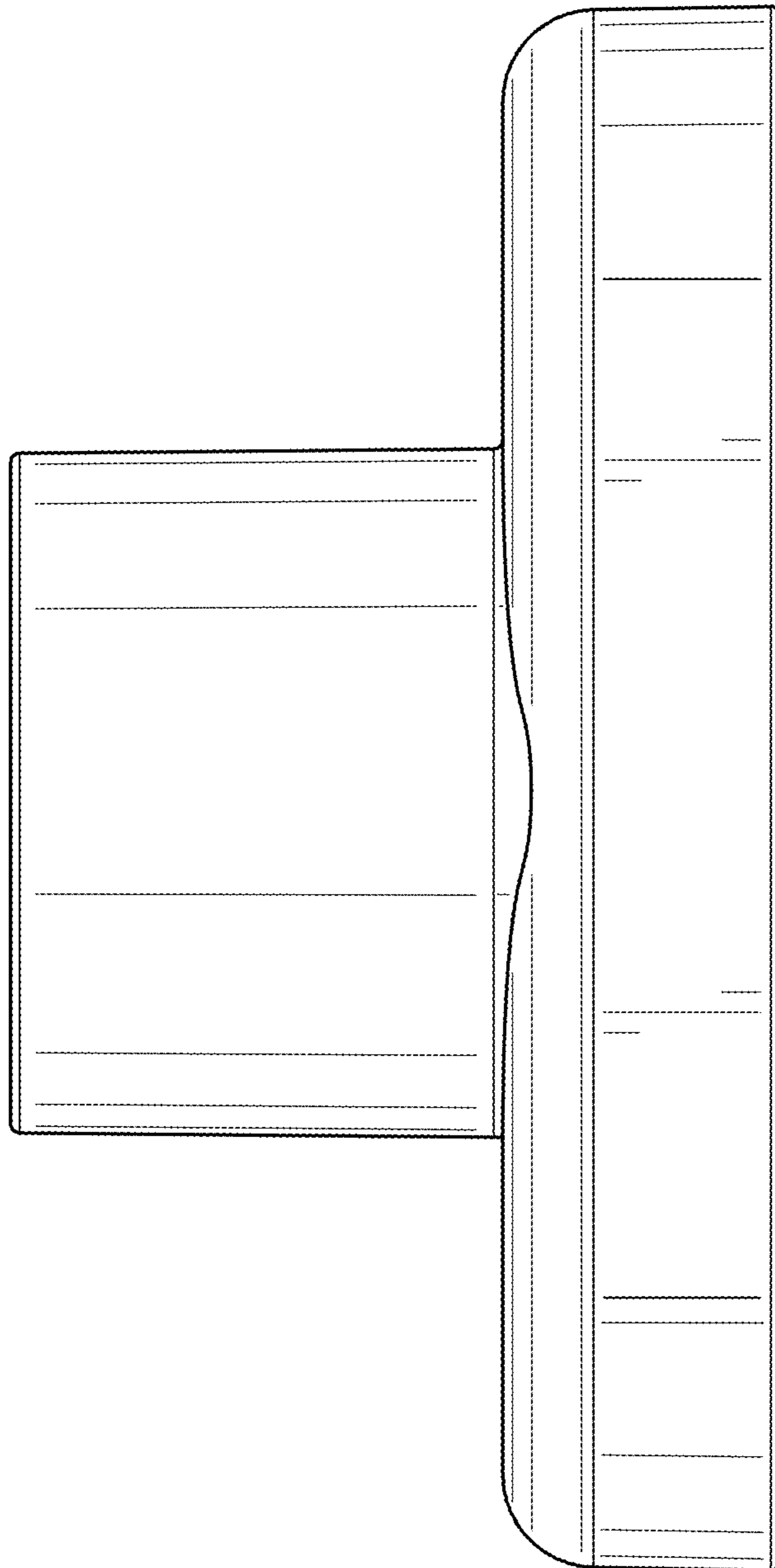


FIG. 4

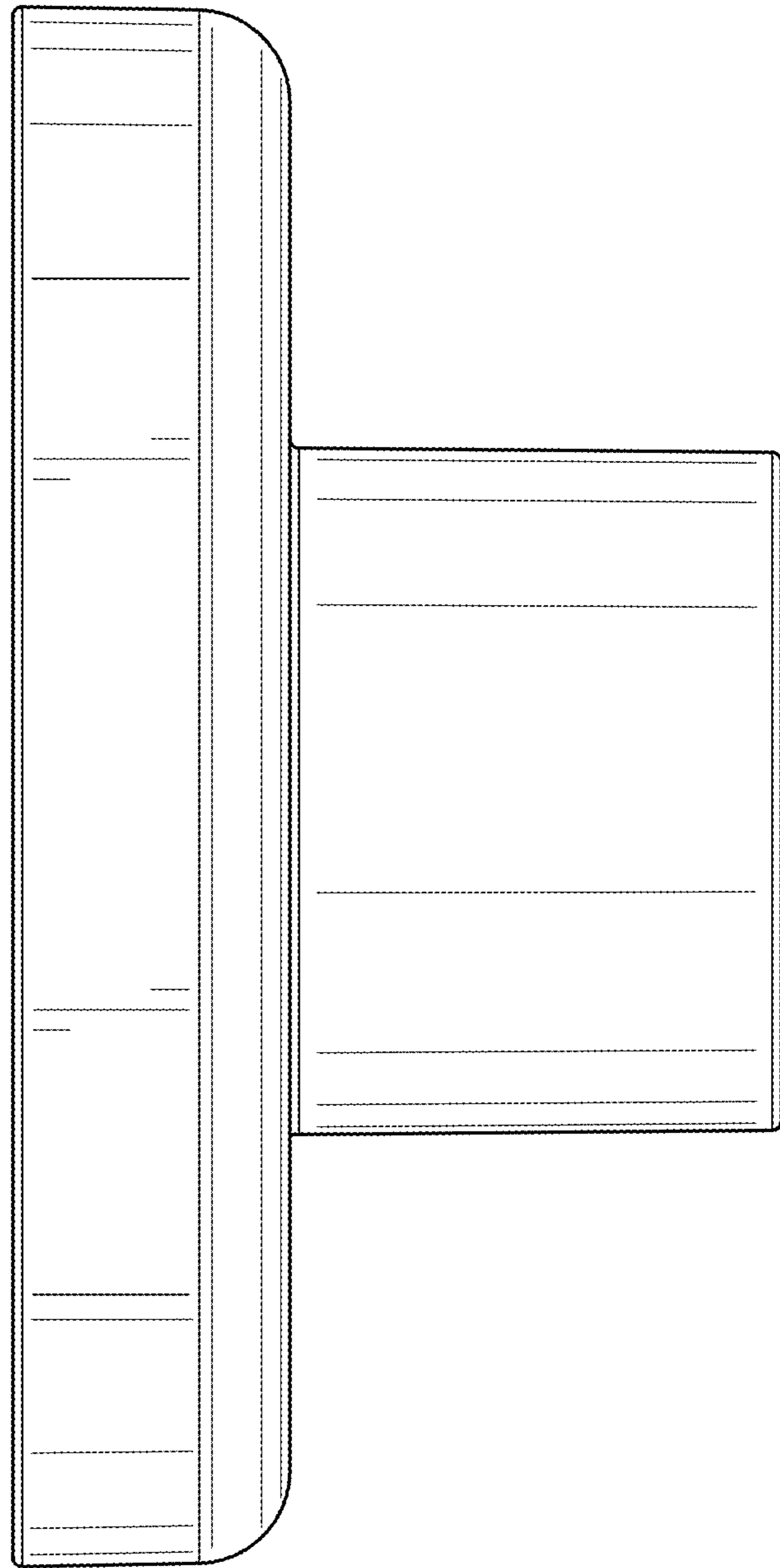


FIG. 5

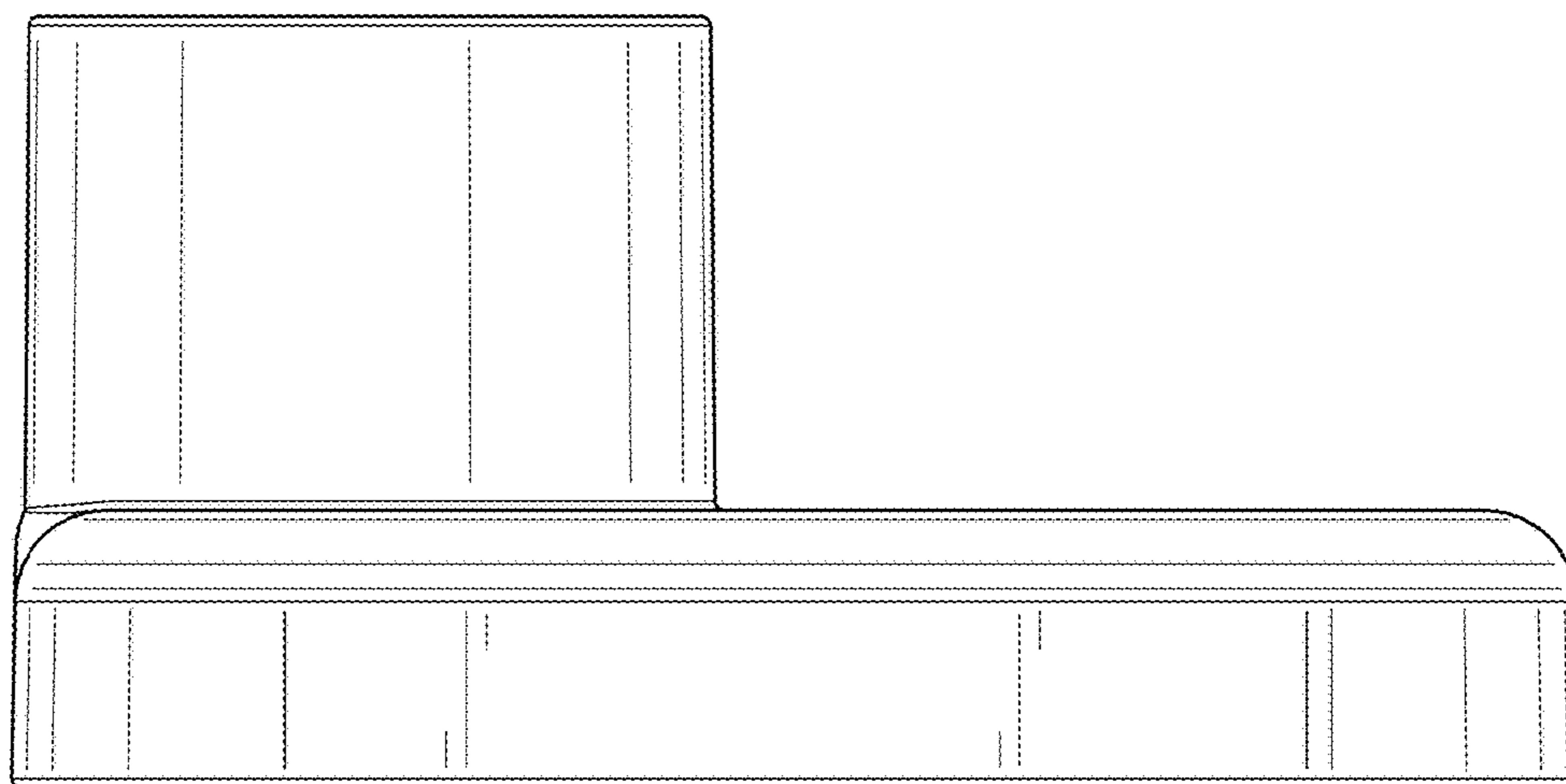


FIG. 6

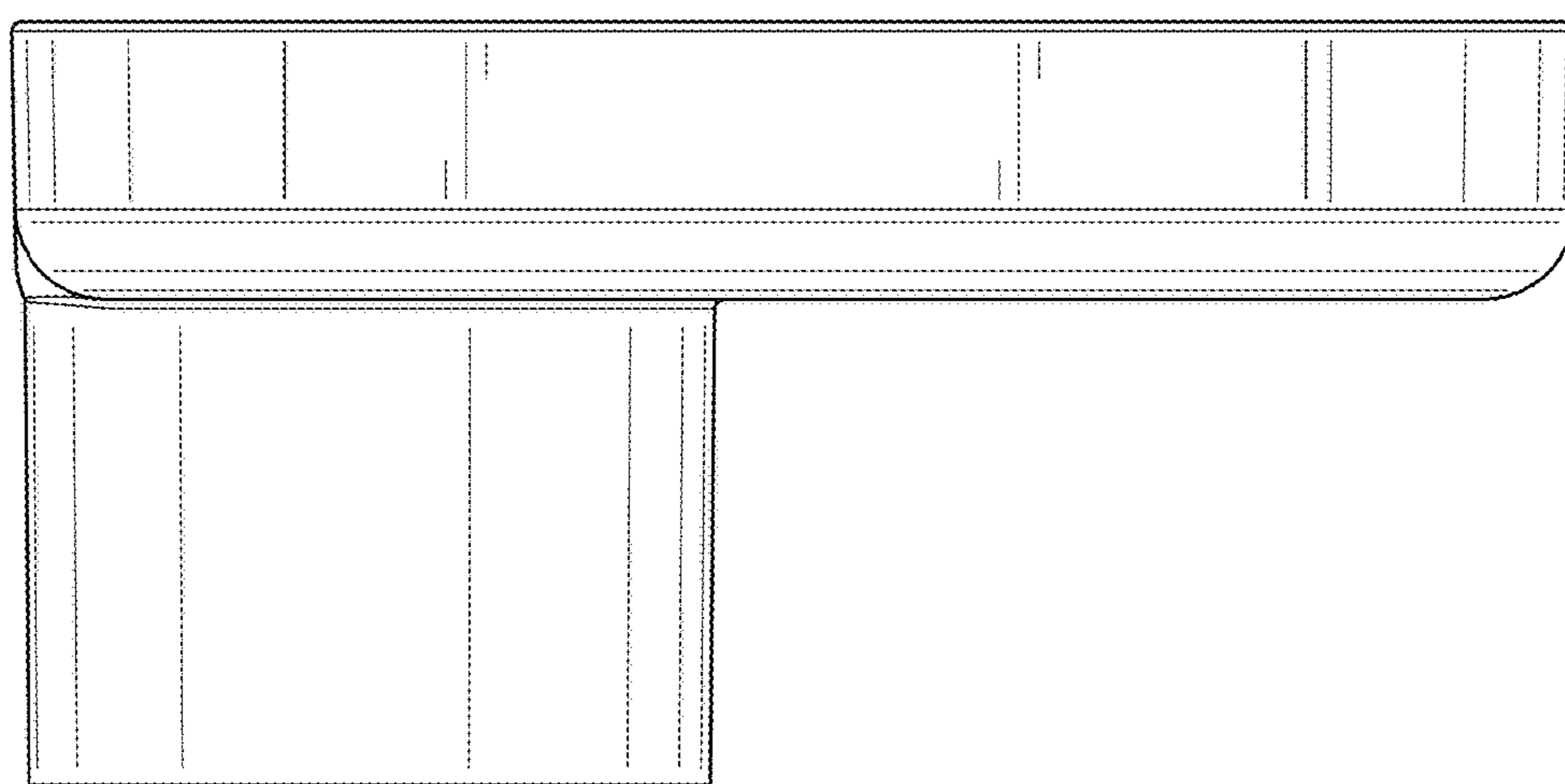


FIG. 7