



US00D833827S

(12) **United States Design Patent**
Mieszkowski

(10) **Patent No.:** **US D833,827 S**

(45) **Date of Patent:** **** Nov. 20, 2018**

(54) **FOOD TRAY**

D182,396 S * 4/1958 Berry A47G 19/06
D7/549

(71) Applicant: **Tomasz Mieszkowski**, Olsztyn (PL)

D296,404 S * 6/1988 Lowenbein A47G 19/065
D7/553.1

(72) Inventor: **Tomasz Mieszkowski**, Olsztyn (PL)

D305,191 S * 12/1989 Wasserman D7/555
D366,187 S * 1/1996 Van Den Kieboom D7/553.1

(**) Term: **15 Years**

D469,310 S * 1/2003 Bukowski D7/553.1
D473,427 S * 4/2003 Kleckauskas D7/549

(21) Appl. No.: **35/503,640**

D485,731 S * 1/2004 Bulcher D7/553.1
D565,355 S * 4/2008 Bevacqua D7/550.1

(22) Filed: **Mar. 6, 2017**

D581,740 S * 12/2008 Ingle D7/549
D685,613 S * 7/2013 Baez D7/553.1
D686,460 S * 7/2013 Maggio D7/553.1

(80) **Hague Agreement Data**

Int. Filing Date: **Mar. 6, 2017**
Int. Reg. No.: **DM/096425**
Int. Reg. Date: **Mar. 6, 2017**
Int. Reg. Pub. Date: **Sep. 8, 2017**

* cited by examiner

Primary Examiner — Sheryl Lane

Assistant Examiner — Nicole C Shiflet

(30) **Foreign Application Priority Data**

Sep. 12, 2016 (PL) Wp.24851

(51) **LOC (11) Cl.** **07-99**

(52) **U.S. Cl.**
USPC **D7/552.2**

(58) **Field of Classification Search**

USPC D7/550.1, 552.2–553.6, 555, 558, 549;
D9/737, 741, 747, 761, 456
CPC A47G 23/0641; A47G 23/06; A47G 19/06;
A47G 21/001; B65D 1/36
See application file for complete search history.

(57) **CLAIM**

The ornamental design for a food tray, as shown and described.

(56) **References Cited**

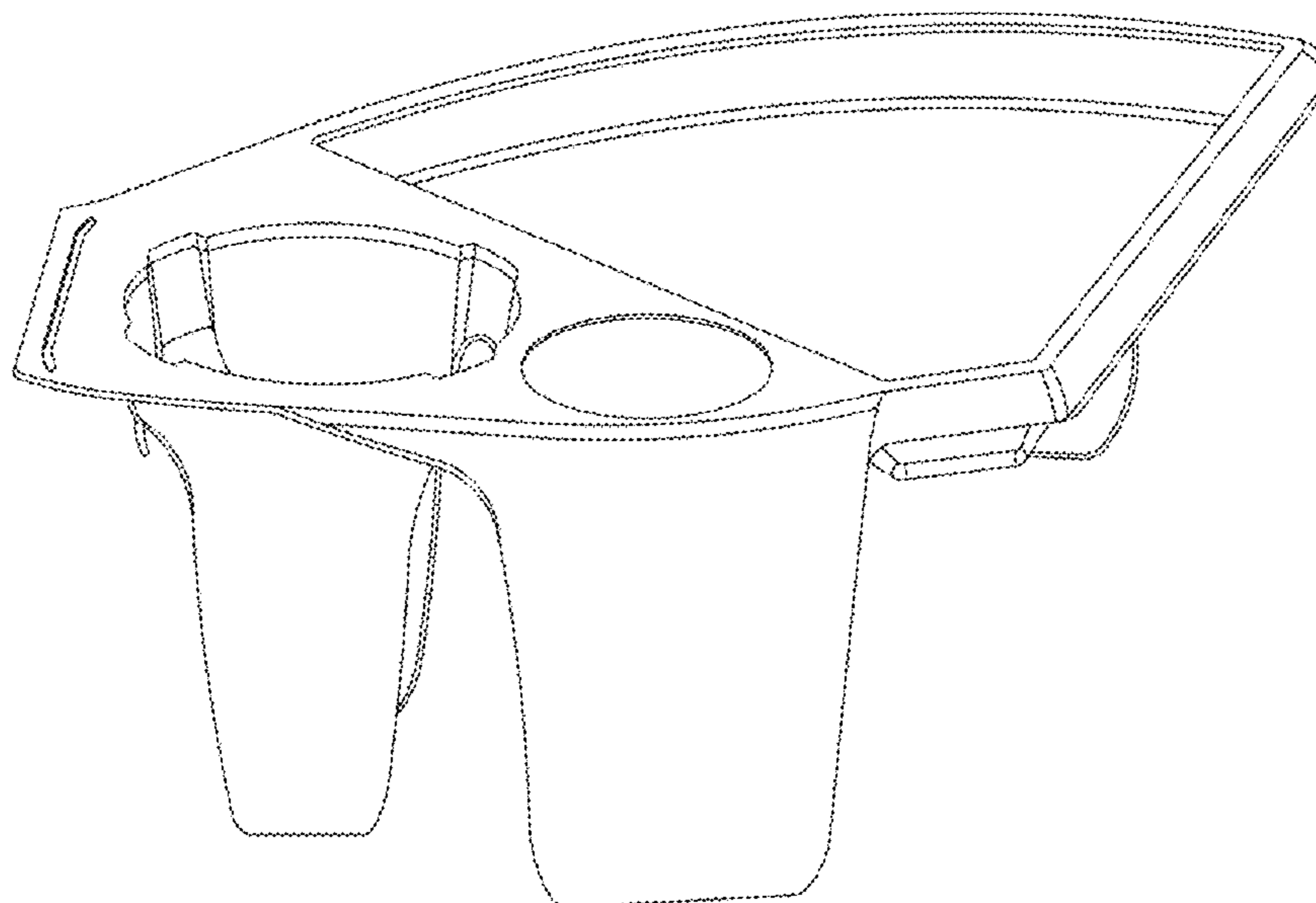
U.S. PATENT DOCUMENTS

D117,478 S * 11/1939 Keenan D7/549
D130,502 S * 11/1941 King D7/555

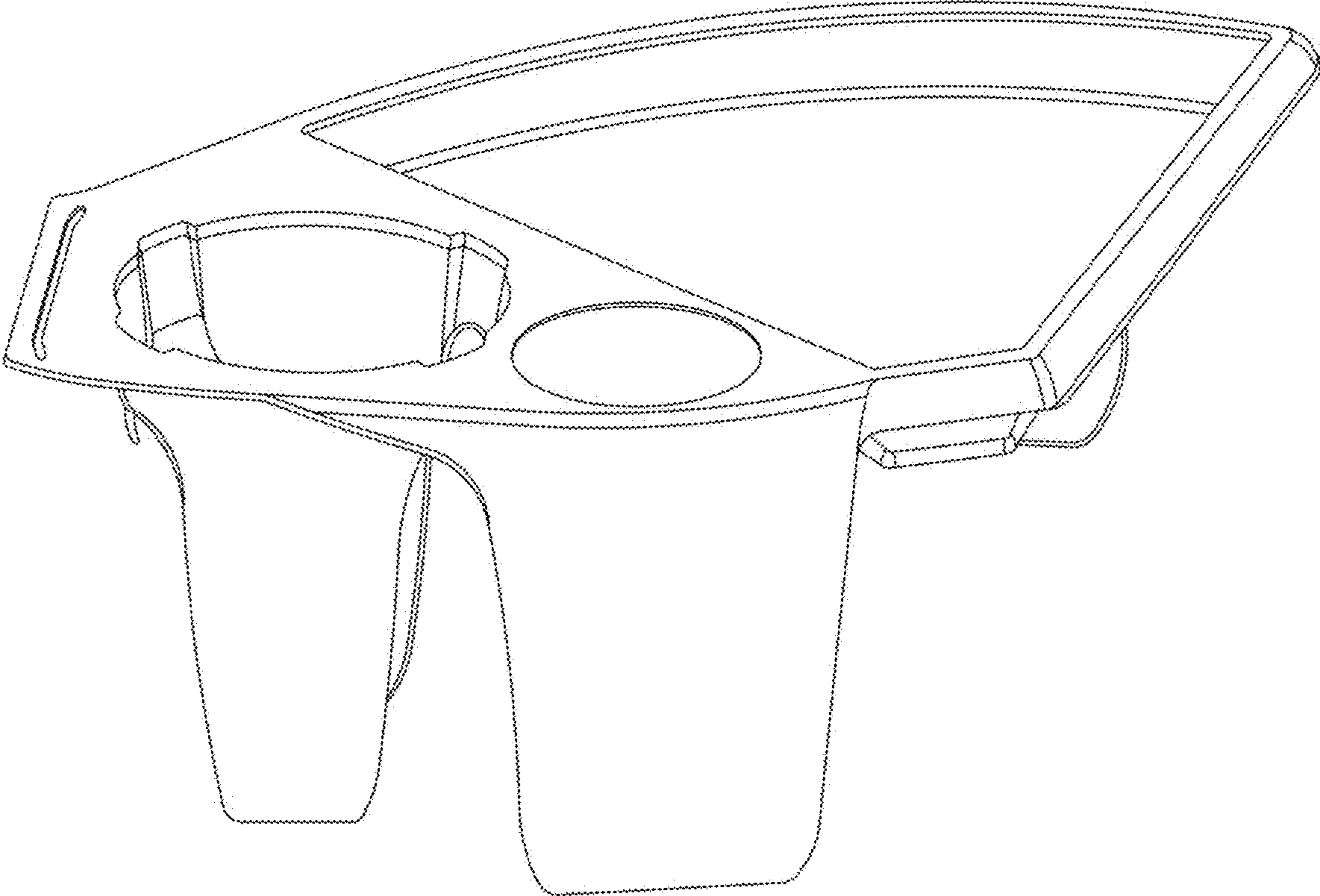
DESCRIPTION

- 1. Food tray
- 1.1 is a perspective view showing my new design;
- 1.2 is another perspective view thereof;
- 1.3 is a top view thereof;
- 1.4 is a side view thereof; and
- 1.5 is a bottom perspective view thereof.

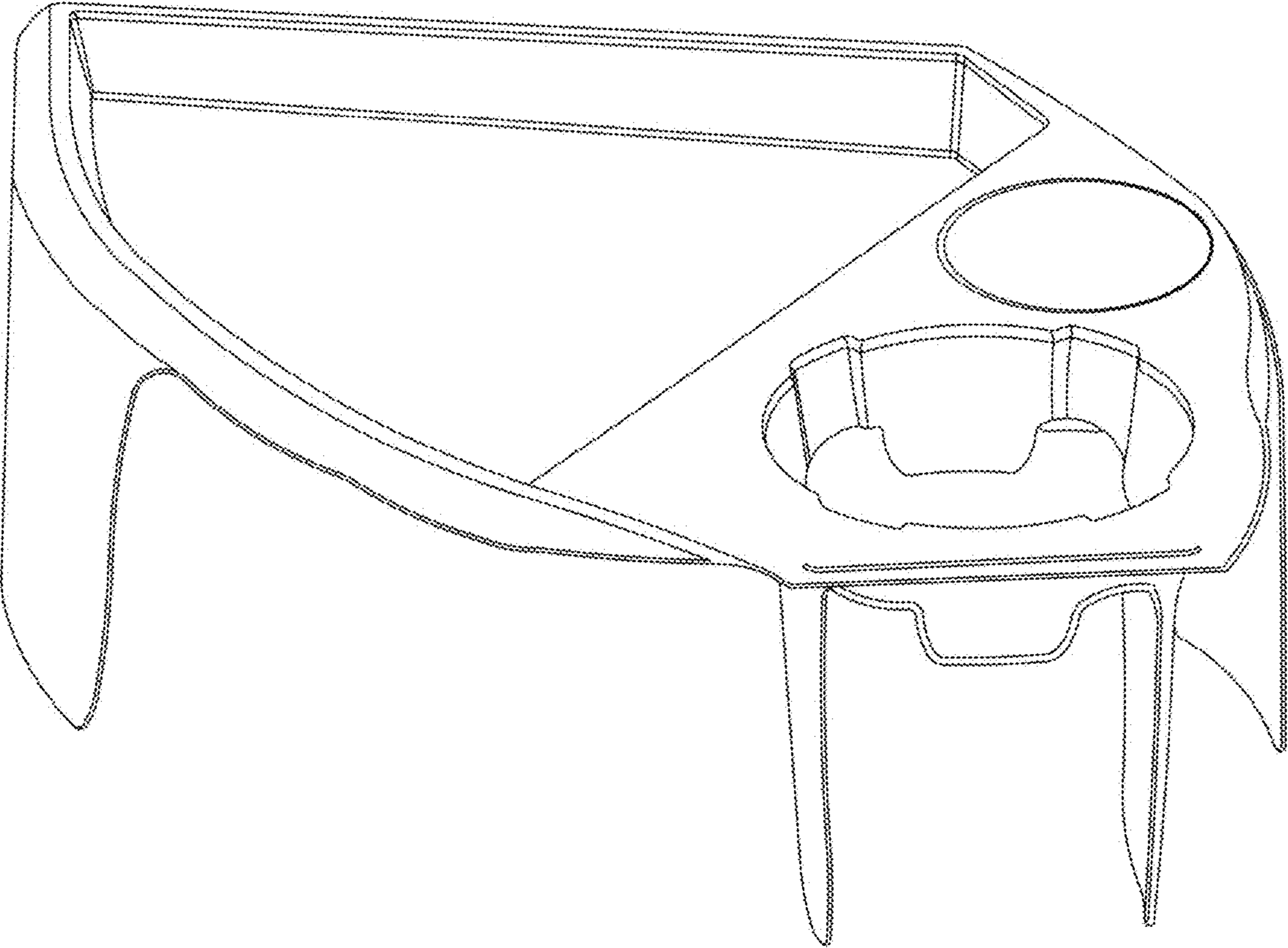
1 Claim, 5 Drawing Sheets



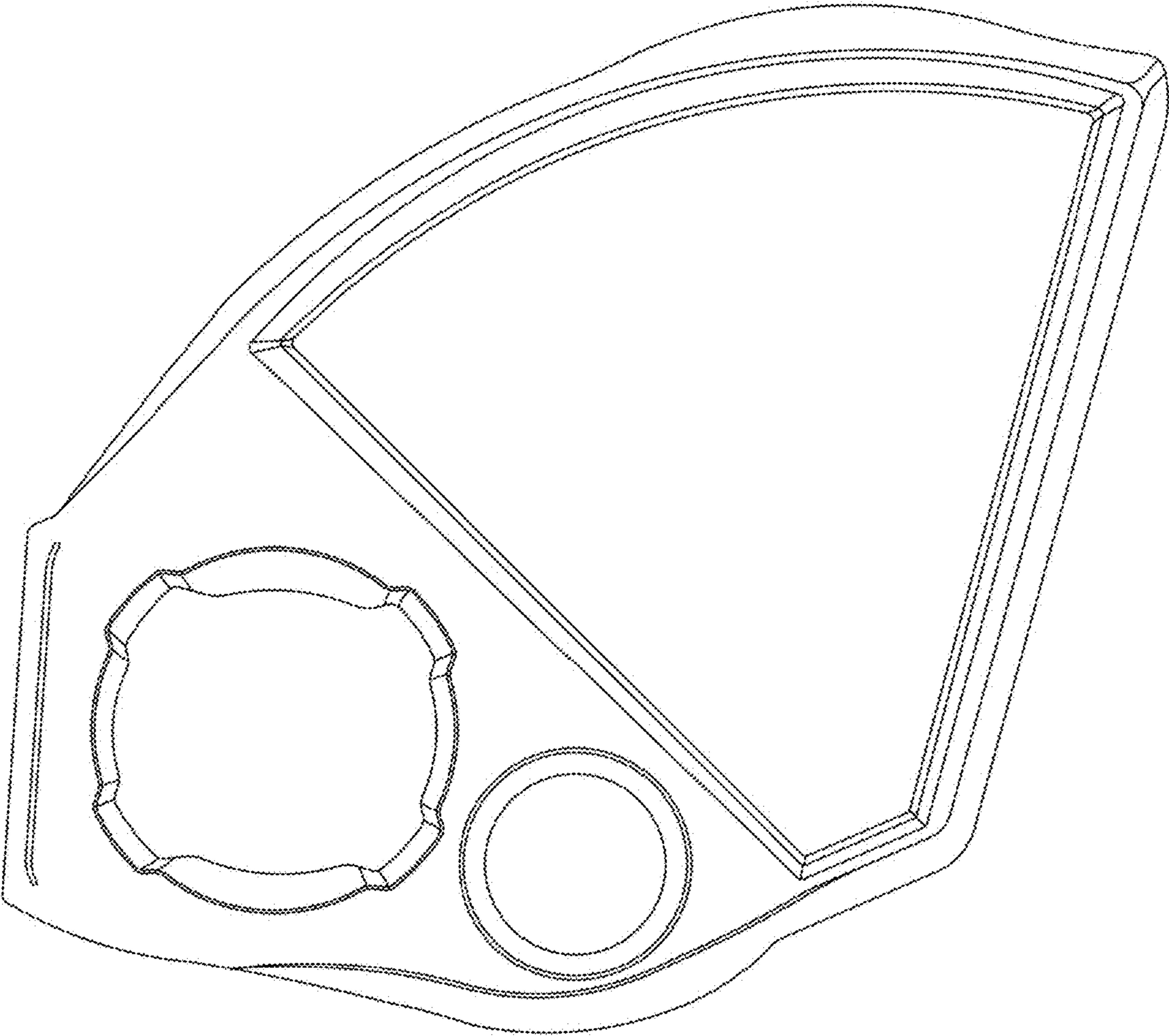
1.1



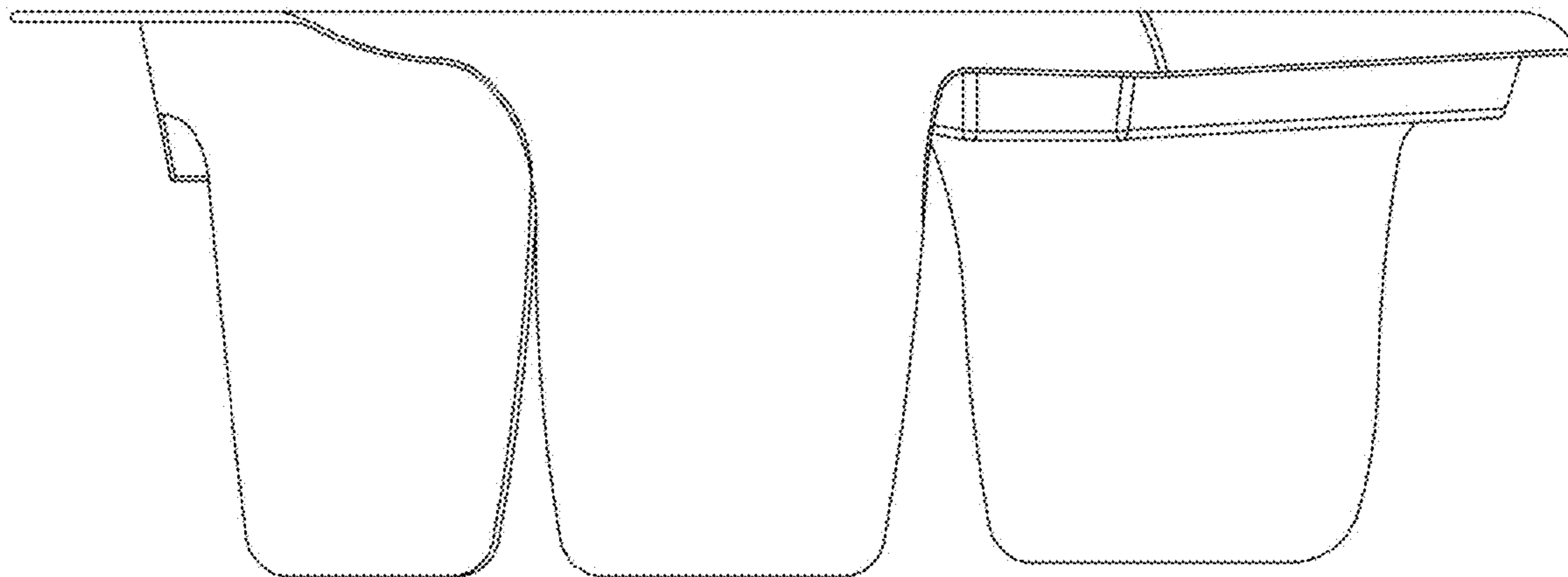
1.2



1.3



1.4



1.5

