



US00D833817S

(12) **United States Design Patent** (10) **Patent No.:** **US D833,817 S**
Sletten (45) **Date of Patent:** **** Nov. 20, 2018**

(54) **BEVERAGE CONTAINER**
(71) Applicant: **JDS INDUSTRIES, INC.**, Sioux Falls, SD (US)
(72) Inventor: **Scott Sletten**, Sioux Falls, SD (US)
(73) Assignee: **JDS Industries, Inc.**, Sioux Falls, SD (US)
(**) Term: **15 Years**
(21) Appl. No.: **29/640,960**
(22) Filed: **Mar. 19, 2018**
(51) **LOC (11) Cl.** **07-01**
(52) **U.S. Cl.**
USPC **D7/510; D7/523; D7/519; D7/532**
(58) **Field of Classification Search**
USPC D7/507, 509, 510, 511, 523, 532, 527, D7/531, 392.1, 396.2, 397, 398, 514, 515, D7/529, 519, 521; D9/500, 651, 501, D9/504, 503, 505, 569, 542, 558, 435, D9/516, 520, 530, 532; 220/592.16, 220/592.17; 215/381
CPC A47G 19/22; A47G 19/2205; A47G 19/2266; A47J 41/02; B65D 47/066; B65D 1/02
See application file for complete search history.

(56) **References Cited**
U.S. PATENT DOCUMENTS
D107,991 S 1/1938 Hansen
D379,738 S * 6/1997 Liming D7/510
D417,819 S 12/1999 Kelly-Pollet
D436,295 S * 1/2001 Furman D7/509
D446,687 S * 8/2001 Furman D7/509
D464,849 S 10/2002 Norris
D466,371 S 12/2002 Parker
D483,995 S 12/2003 Otake

D492,157 S 6/2004 Bodum
D502,844 S 3/2005 Rohe
D565,901 S * 4/2008 Edelstein D7/510
D659,474 S * 5/2012 Wahl D7/510
D660,082 S * 5/2012 Wahl D7/510
D675,063 S * 1/2013 Wahl D7/510
D713,686 S * 9/2014 Eyal D7/509
D731,251 S 6/2015 Lane
D743,209 S * 11/2015 Maas D7/523
D744,286 S 12/2015 Morris, II
D791,543 S * 7/2017 Mulhauser D7/510
D797,510 S * 9/2017 Ke D7/510
D805,854 S * 12/2017 Waskow D7/608
D808,218 S * 1/2018 Seiders D7/510
D808,722 S 1/2018 Hill
D811,817 S 3/2018 Harrington, III
D813,605 S * 3/2018 Seiders D7/532

(Continued)

Primary Examiner — Marianne Pandozzi
Assistant Examiner — Jae Liang
(74) *Attorney, Agent, or Firm* — Jeffrey A. Proehl;
Woods, Fuller, Shultz & Smith, PC

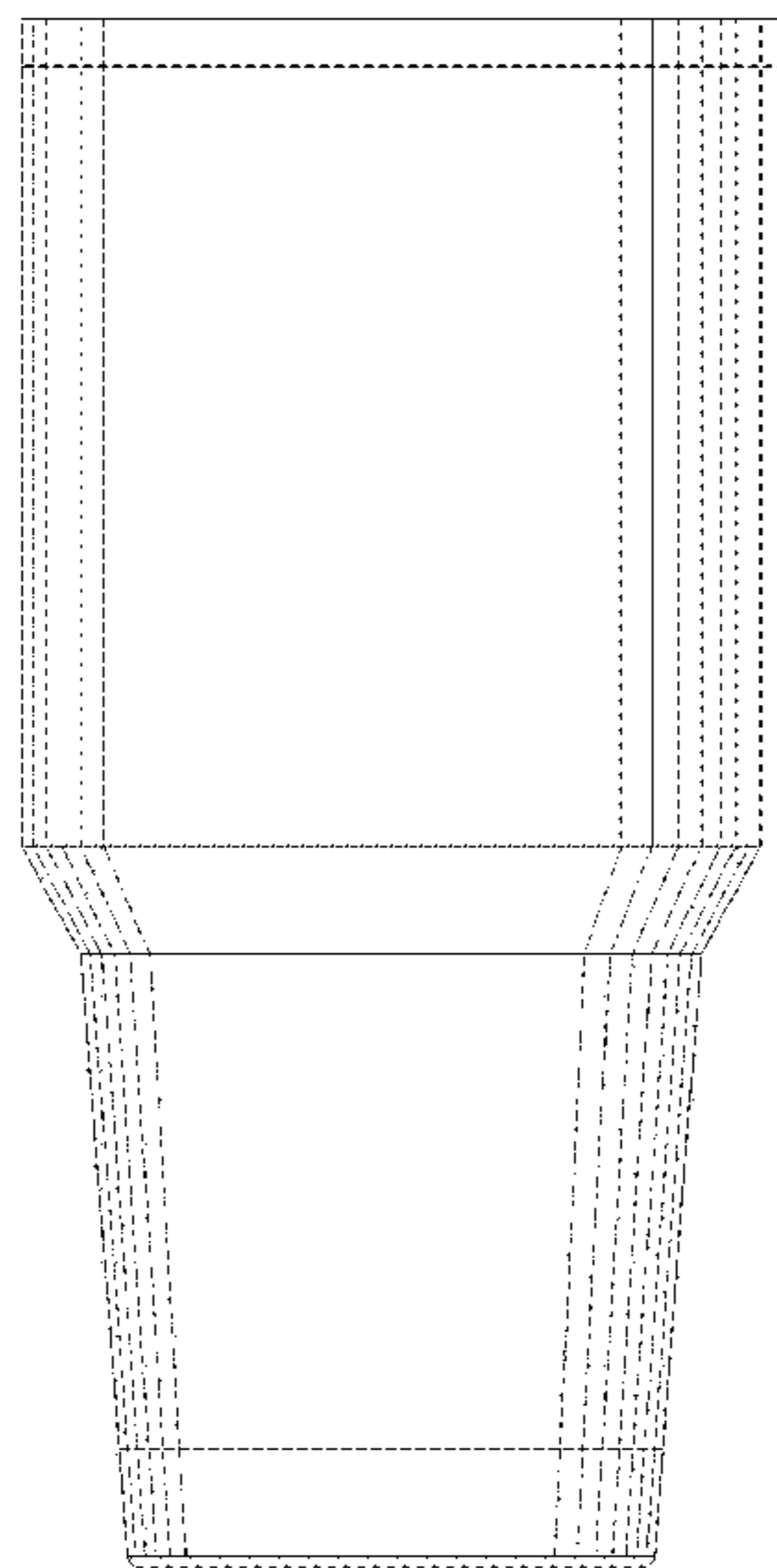
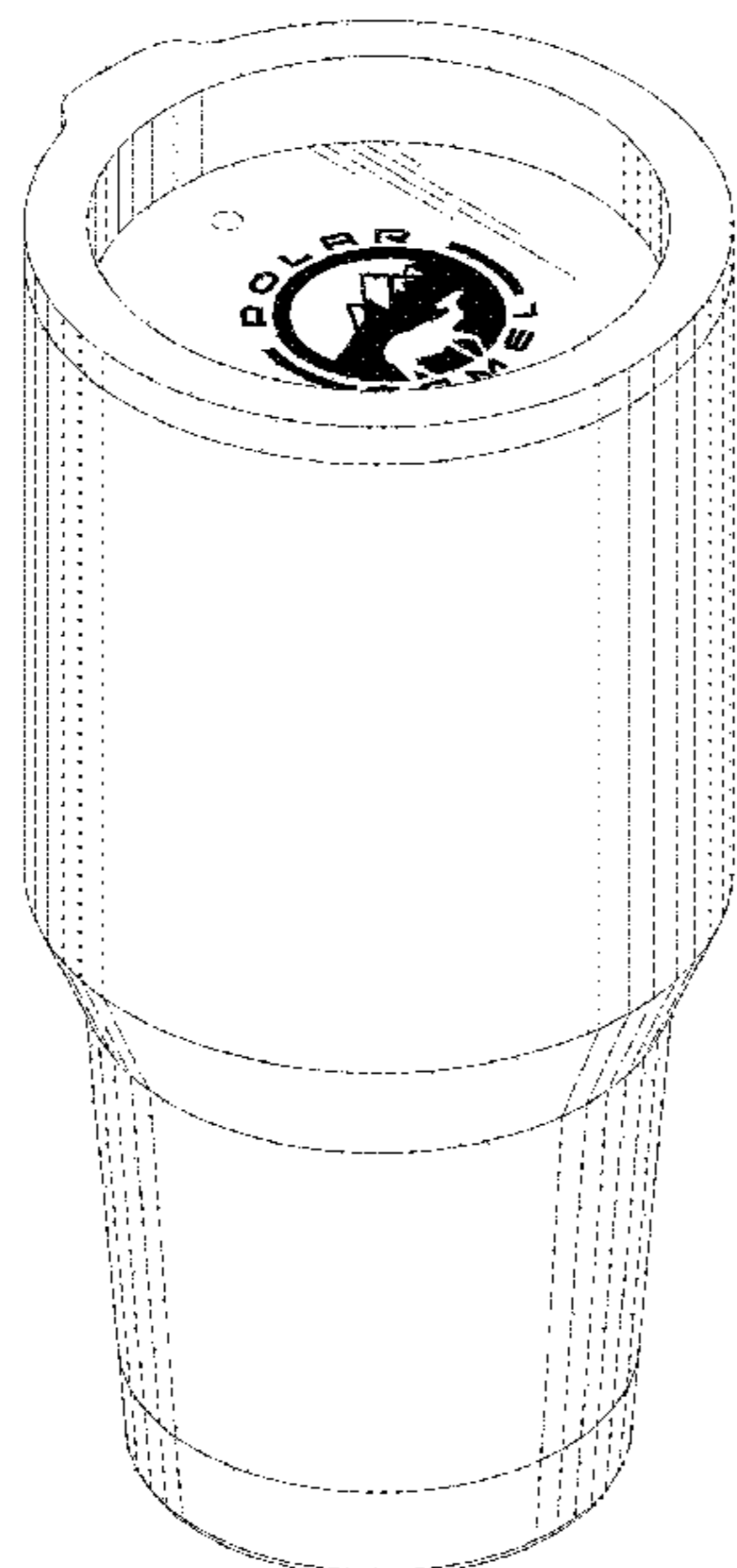
(57) **CLAIM**

The ornamental design for a beverage container, as shown and described.

DESCRIPTION

FIG. 1 is a perspective view of a beverage container of my new design;
FIG. 2 is a front elevational view of the beverage container;
FIG. 3 is a rear elevational view of the beverage container;
FIG. 4 is a left side elevational view of the beverage container, the right side elevational view being a mirror image thereof;
FIG. 5 is a top plan view of the beverage container; and,
FIG. 6 is a bottom plan view of the beverage container.
The broken lines depict portions of the device that form no part of the claim.

1 Claim, 2 Drawing Sheets



(56)

References Cited

U.S. PATENT DOCUMENTS

D814,240 S * 4/2018 Kabalin D7/510
D814,242 S * 4/2018 Seiders D7/523
2017/0121074 A1* 5/2017 Seiders A47G 19/2272
2017/0225855 A1* 8/2017 Lawson B65D 51/2807

* cited by examiner

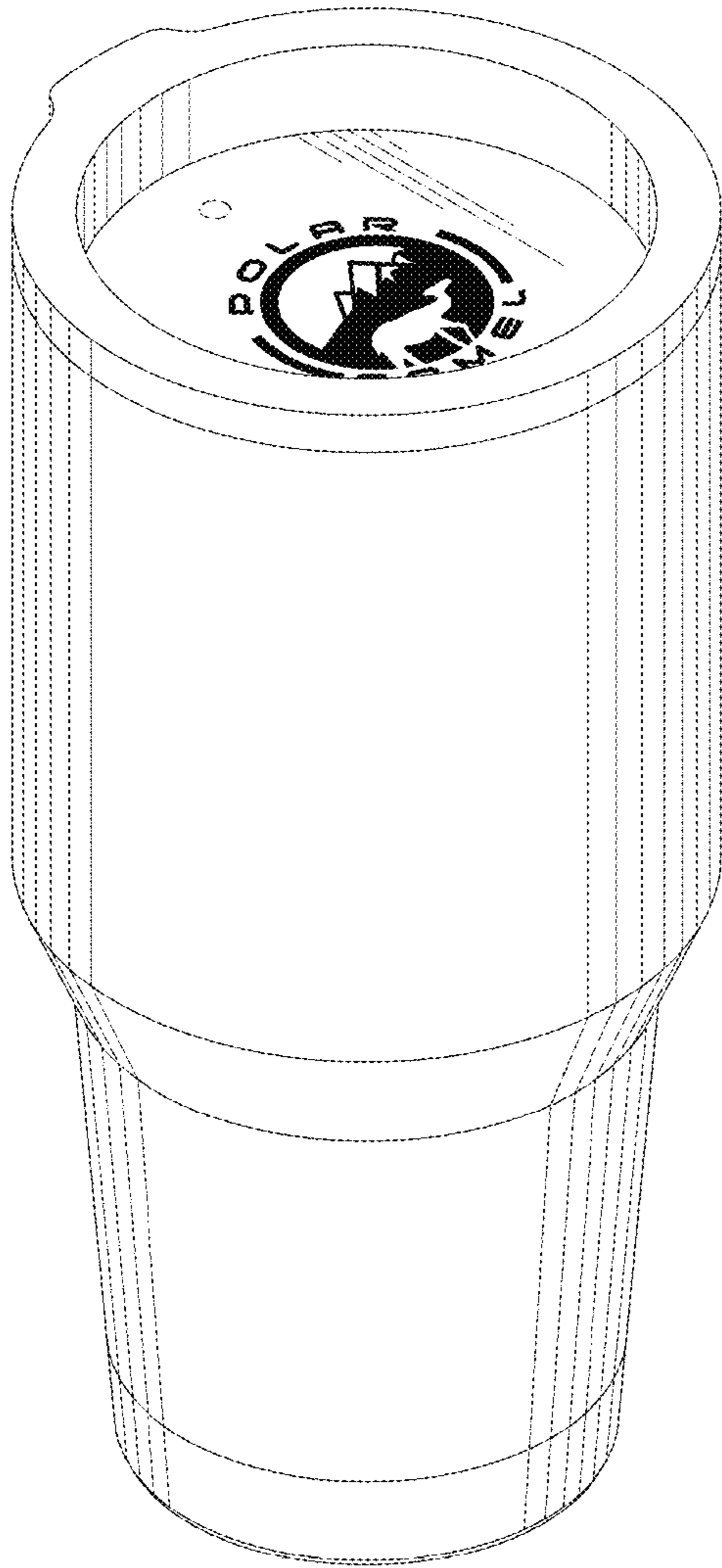


Fig. 1

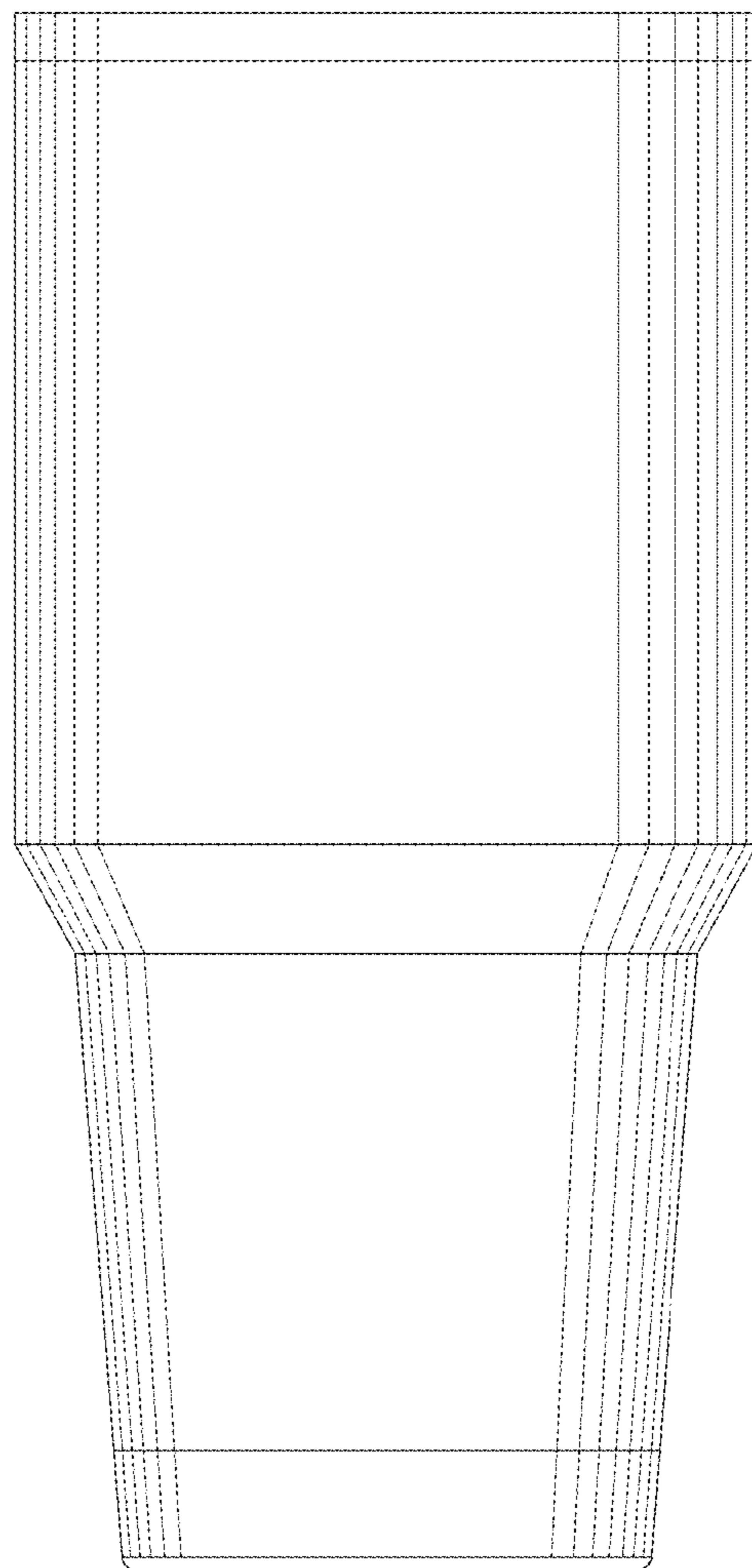


Fig. 3

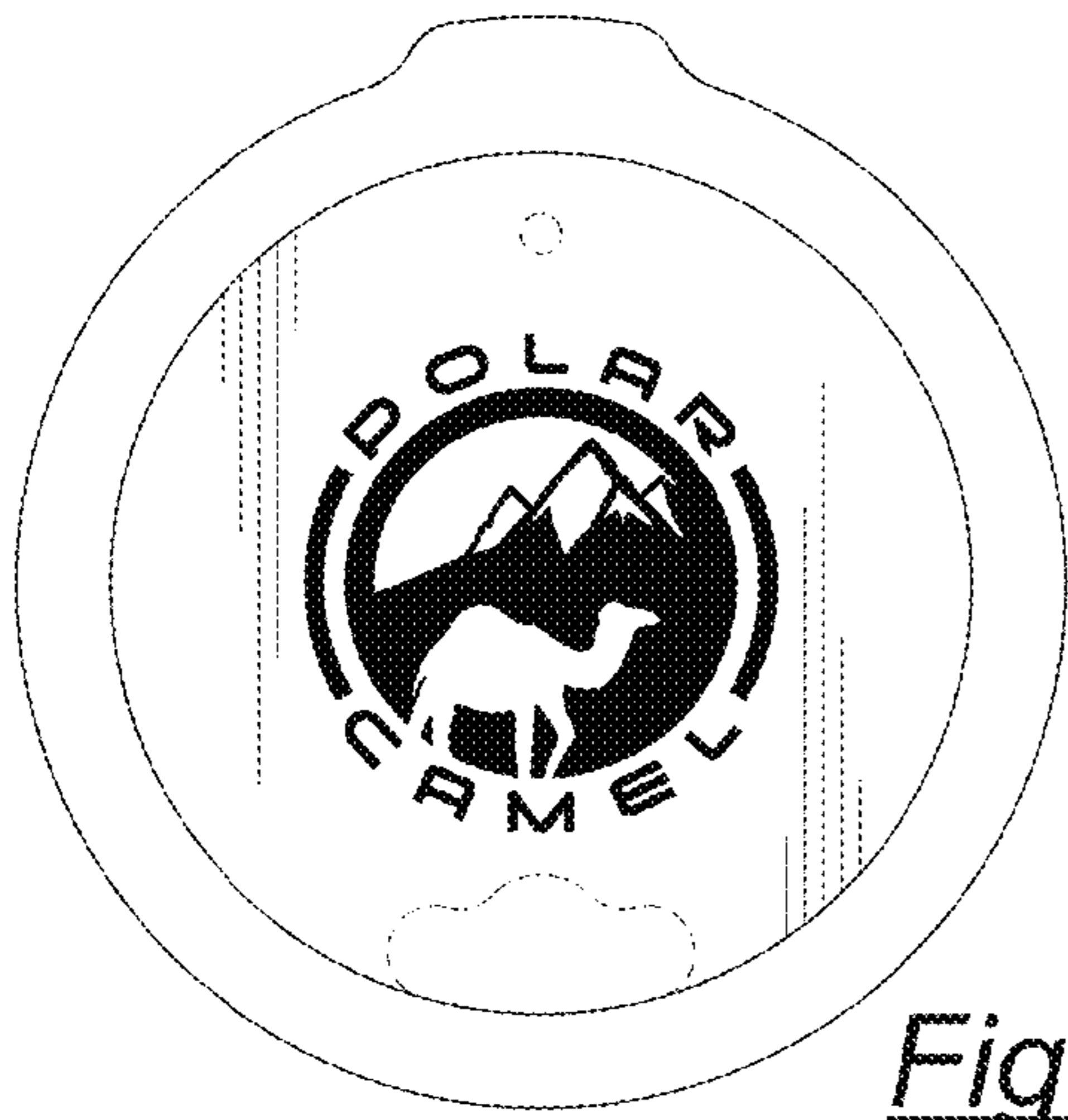


Fig. 5

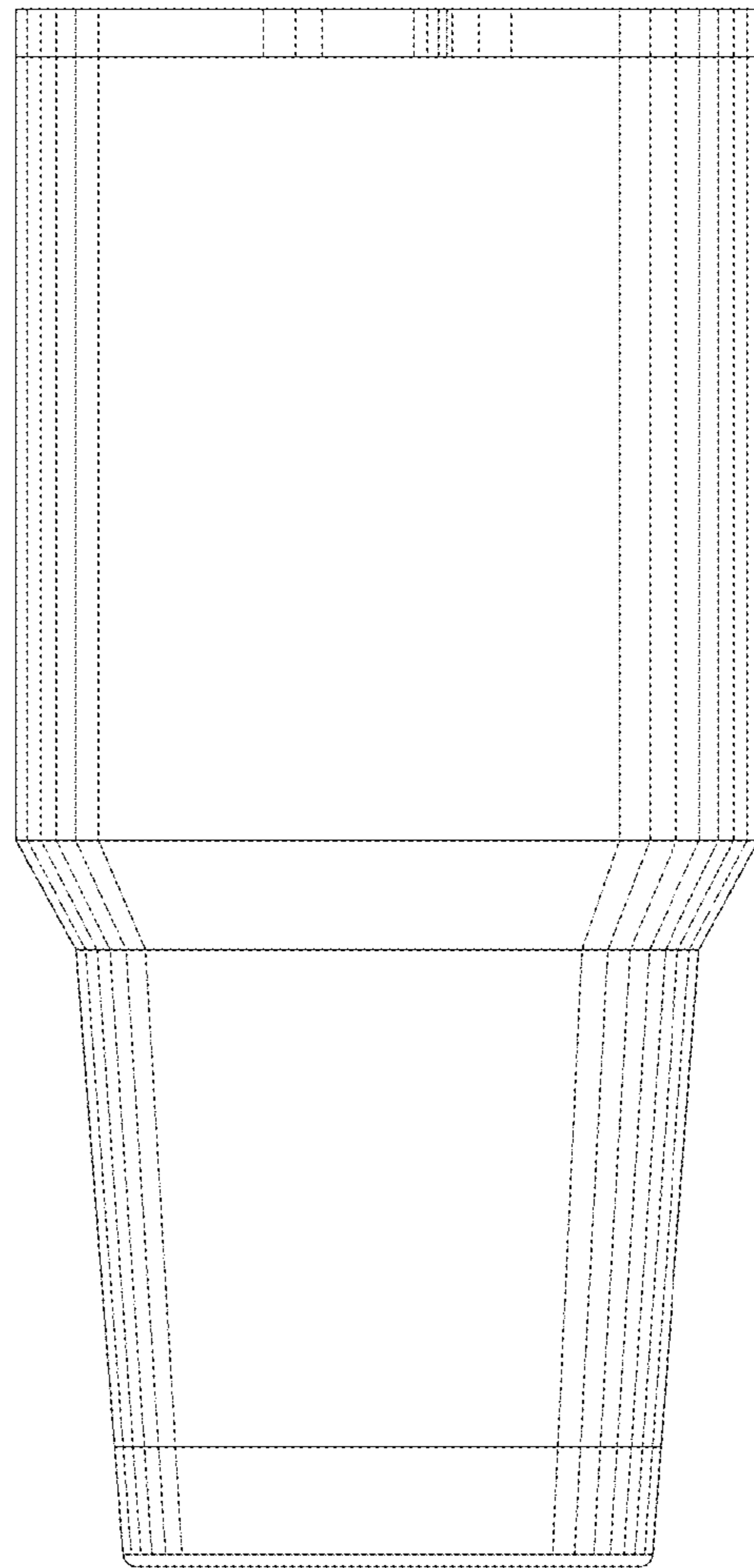


Fig. 2

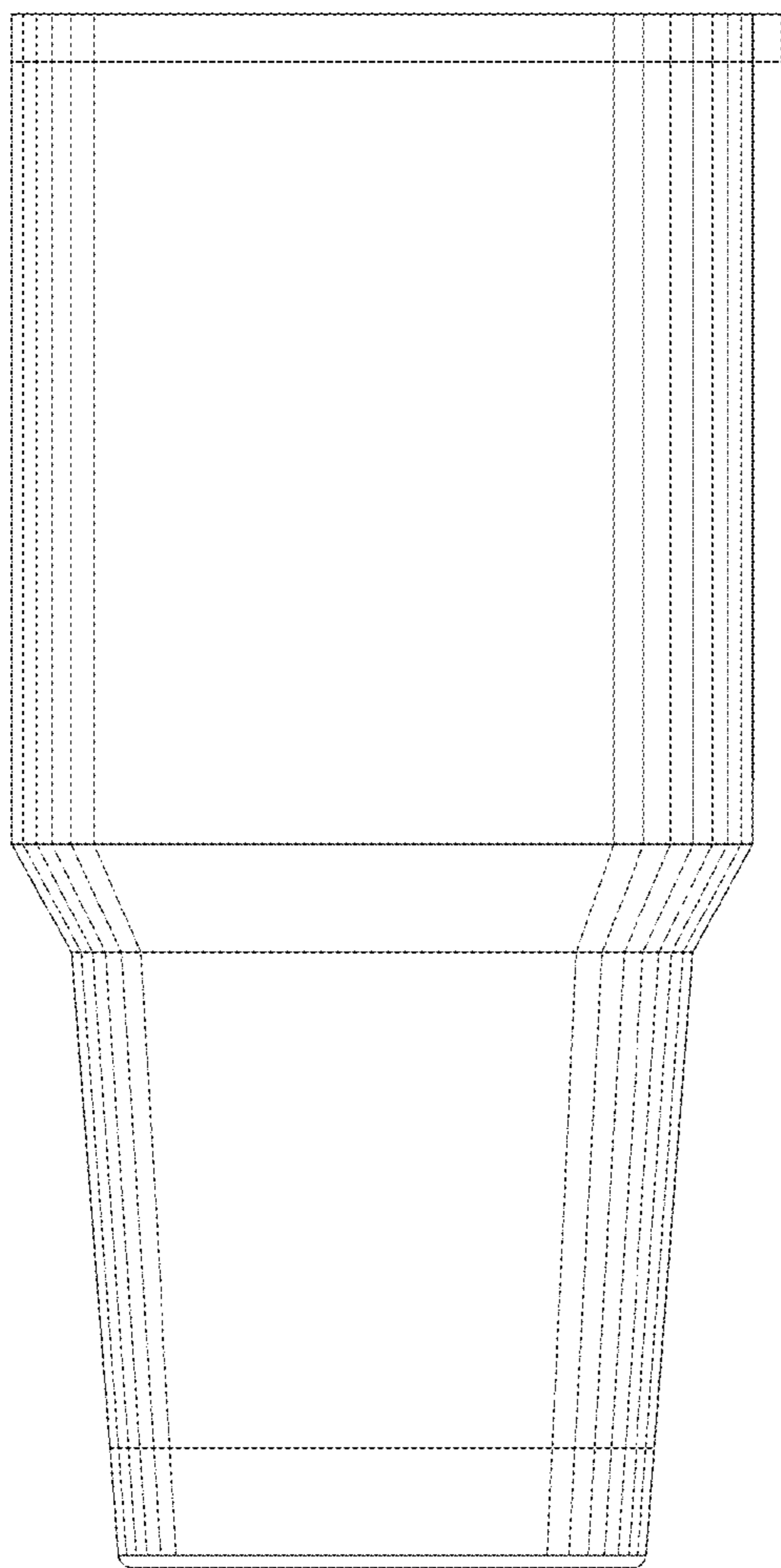


Fig. 4

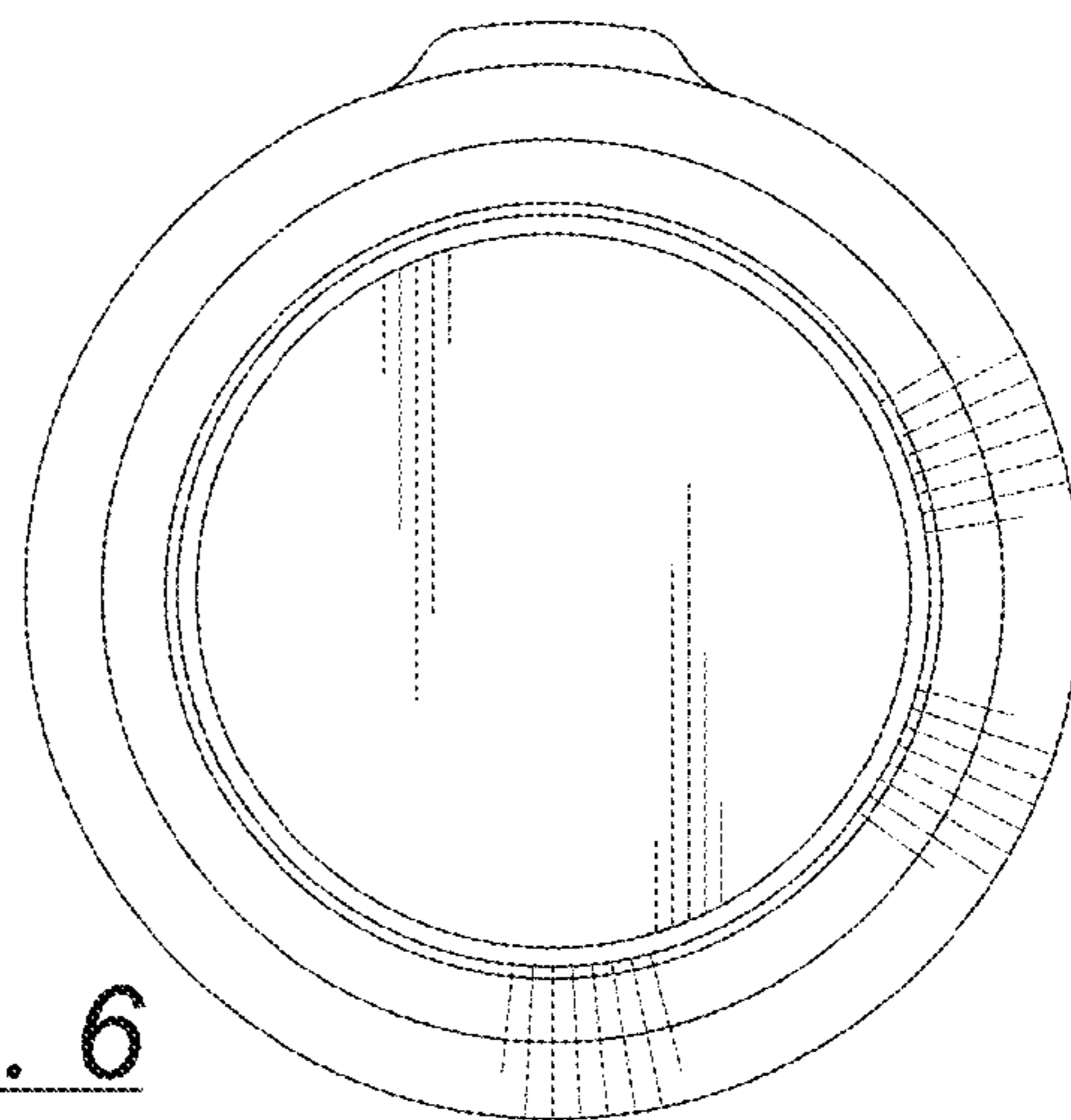


Fig. 6