



US00D833816S

(12) **United States Design Patent**  
**Chung**

(10) **Patent No.:** **US D833,816 S**

(45) **Date of Patent:** **\*\* Nov. 20, 2018**

(54) **SIPPY BOTTLE**

(71) Applicants: **THERMOS L.L.C.**, Schaumburg, IL  
(US); **THERMOS KOREA CO., LTD.**, Seoul (KR)

(72) Inventor: **Soo Chung**, Seoul (KR)

(73) Assignees: **THERMOS L.L.C.**, Schaumburg, IL  
(US); **THERMOS KOREA CO., LTD.**  
(KR)

(\*\*) Term: **15 Years**

(21) Appl. No.: **29/621,100**

(22) Filed: **Oct. 4, 2017**

**Related U.S. Application Data**

(62) Division of application No. 29/575,657, filed on Aug. 26, 2016.

**Foreign Application Priority Data**

Mar. 25, 2016 (KR) ..... 30-2016-0014092

(51) **LOC (11) Cl.** ..... **07-01**

(52) **U.S. Cl.**

USPC ..... **D7/510; D7/511; D7/534**

(58) **Field of Classification Search**

USPC ..... D7/507, 509, 510, 511, 523, 529, 530,  
D7/531, 532, 533, 534, 535, 536, 608,  
D7/392.1, 396.2, 396.4, 387, 394, 515;  
D9/434, 450; D10/46.2; D24/197, 199;  
220/592.16, 592.17

CPC ..... A47G 19/22; A47G 19/2205; A47G  
19/2227; A47G 19/2266; A47F 3/16;  
B65D 47/066

See application file for complete search history.

(56) **References Cited**

**U.S. PATENT DOCUMENTS**

D368,624 S *	4/1996	Forrer	.....	D7/392.1
D387,247 S *	12/1997	Randolph	.....	D7/510
D397,906 S *	9/1998	Briggs	.....	D7/392.1
D441,087 S *	4/2001	Johansen	.....	D24/197
D460,322 S *	7/2002	Orr	.....	D7/510
D516,864 S *	3/2006	Kleckauskas	.....	D7/507
D559,622 S *	1/2008	Carreno	.....	D7/510
D559,624 S *	1/2008	Carreno	.....	D7/510
D619,851 S *	7/2010	Miller	.....	D24/197
D620,753 S *	8/2010	Lane	.....	D7/510
D641,631 S *	7/2011	Kawahara	.....	D7/510
D642,435 S *	8/2011	Schofield	.....	D24/197
D642,867 S *	8/2011	Miller	.....	D24/197
D668,509 S *	10/2012	Beugelsdijk	.....	D7/400
D674,100 S *	1/2013	Smith	.....	D24/197
D683,189 S *	5/2013	Thomas	.....	D7/510

(Continued)

*Primary Examiner* — Marianne Pandozzi

*Assistant Examiner* — Jae Liang

(74) *Attorney, Agent, or Firm* — Polsinelli PC

(57) **CLAIM**

The ornamental design for a sippy bottle, as shown and described.

**DESCRIPTION**

FIG. 1 is a perspective view of a sippy bottle showing our new design;

FIG. 2 is a front view of the sippy bottle;

FIG. 3 is a rear view of the sippy bottle;

FIG. 4 is a right side view of the sippy bottle;

FIG. 5 is a left side view of the sippy bottle;

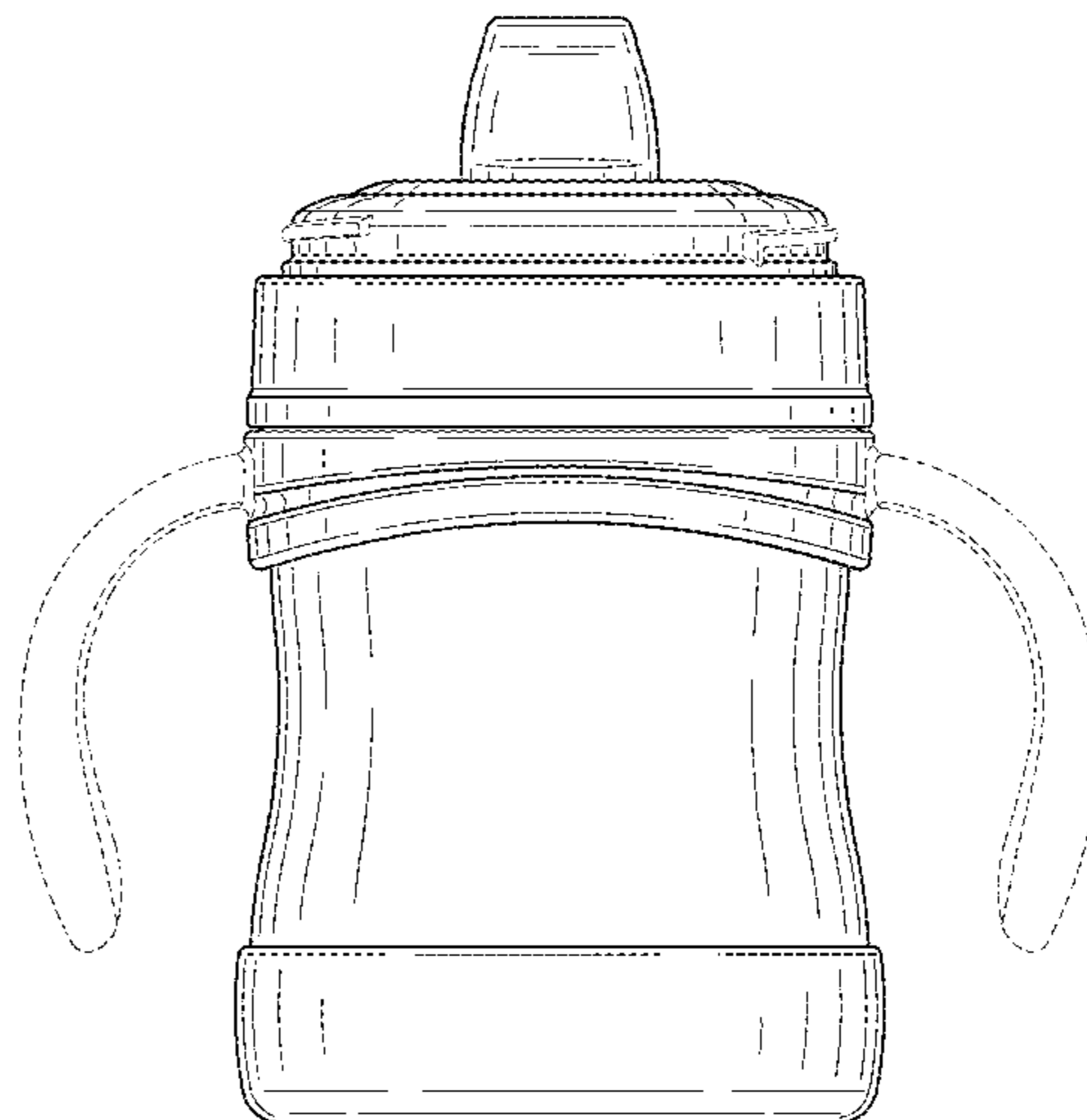
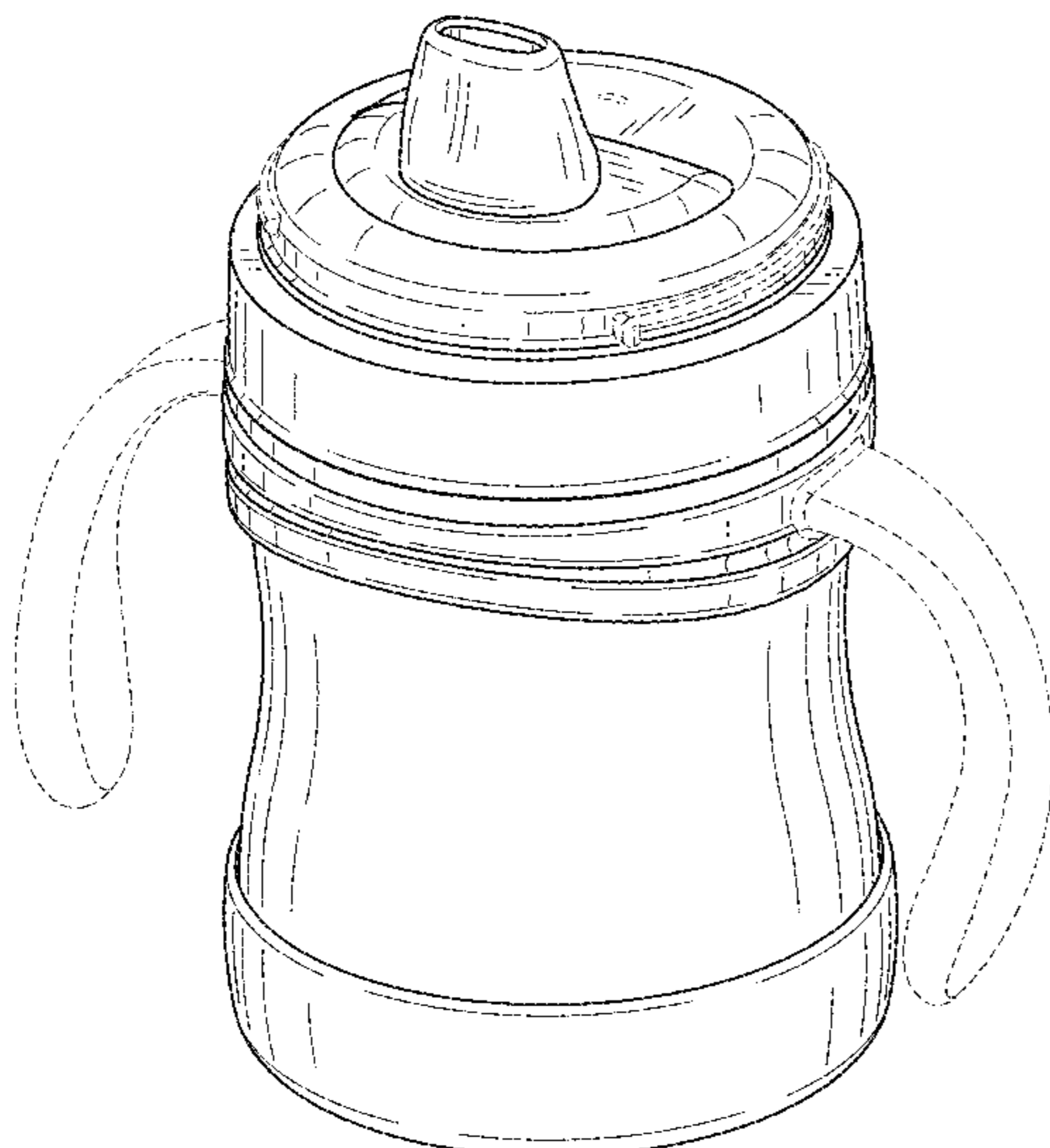
FIG. 6 is a top view of the sippy bottle; and,

FIG. 7 is a bottom view of the sippy bottle.

The broken lines in the drawing depict portions of the beverage container that form no part of the claimed design.

The dash-dot lines in the drawing represent the bounds of the claim and form no part of the claimed design.

**1 Claim, 5 Drawing Sheets**



(56)

**References Cited**

U.S. PATENT DOCUMENTS

D747,146 S \* 1/2016 Struckmeier ..... D7/510  
D748,434 S \* 2/2016 Thalmann ..... D7/510  
D748,435 S \* 2/2016 Thalmann ..... D7/510  
D763,624 S \* 8/2016 Parker ..... D7/510  
D764,235 S \* 8/2016 Parker ..... D7/510  
2017/0065111 A1\* 3/2017 Phipps ..... A47G 19/2272

\* cited by examiner

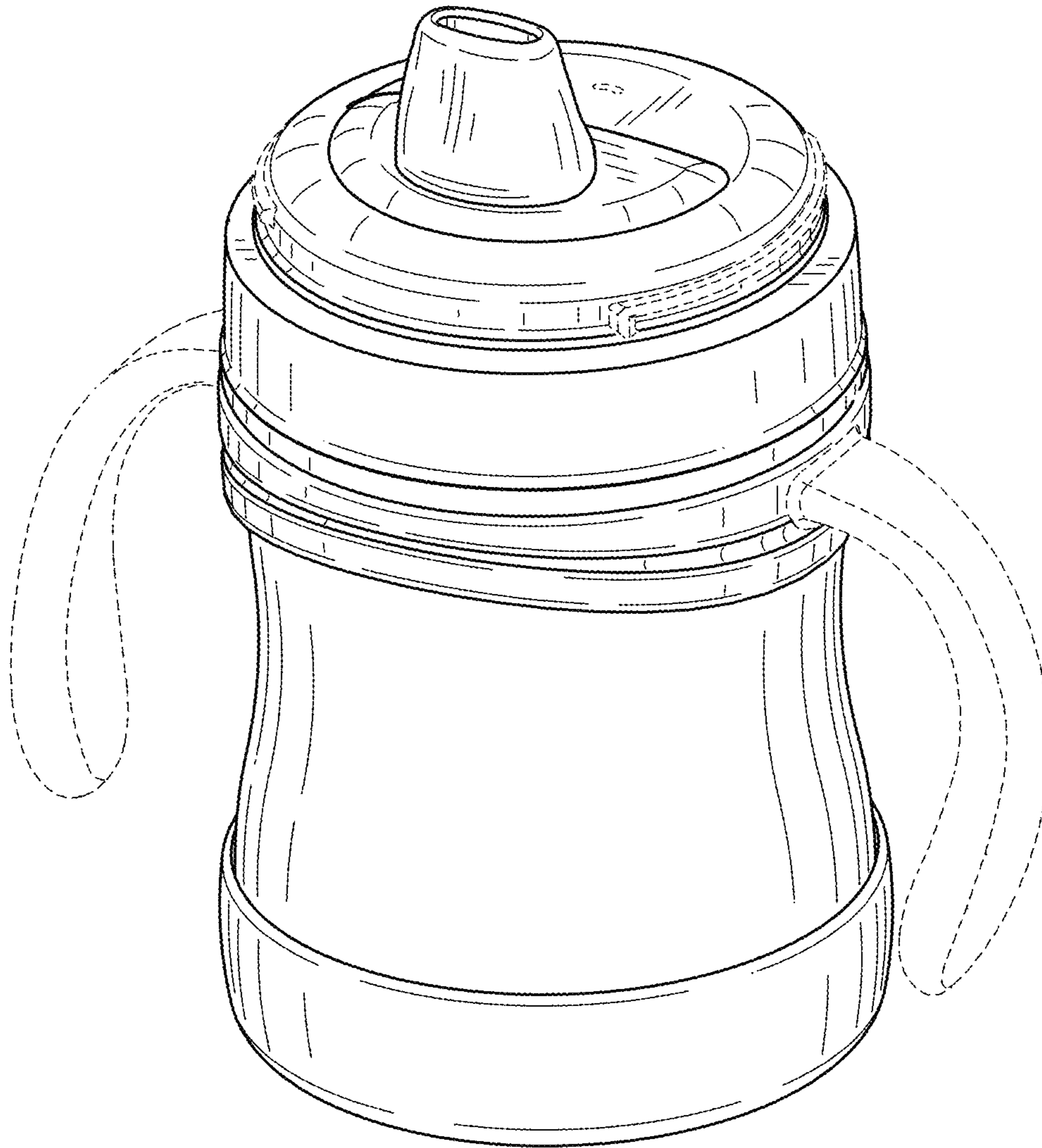


FIG. 1

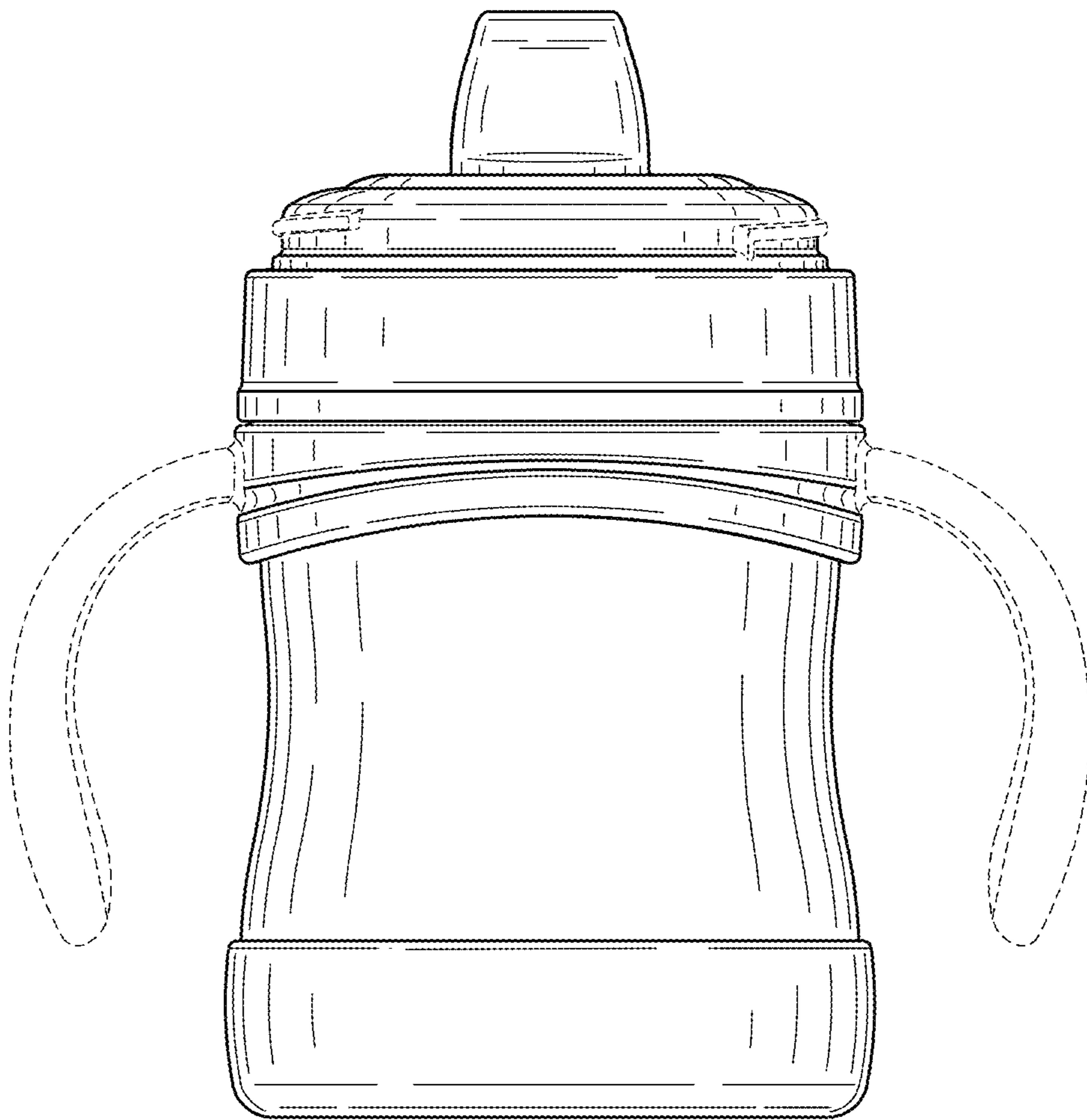


FIG. 2

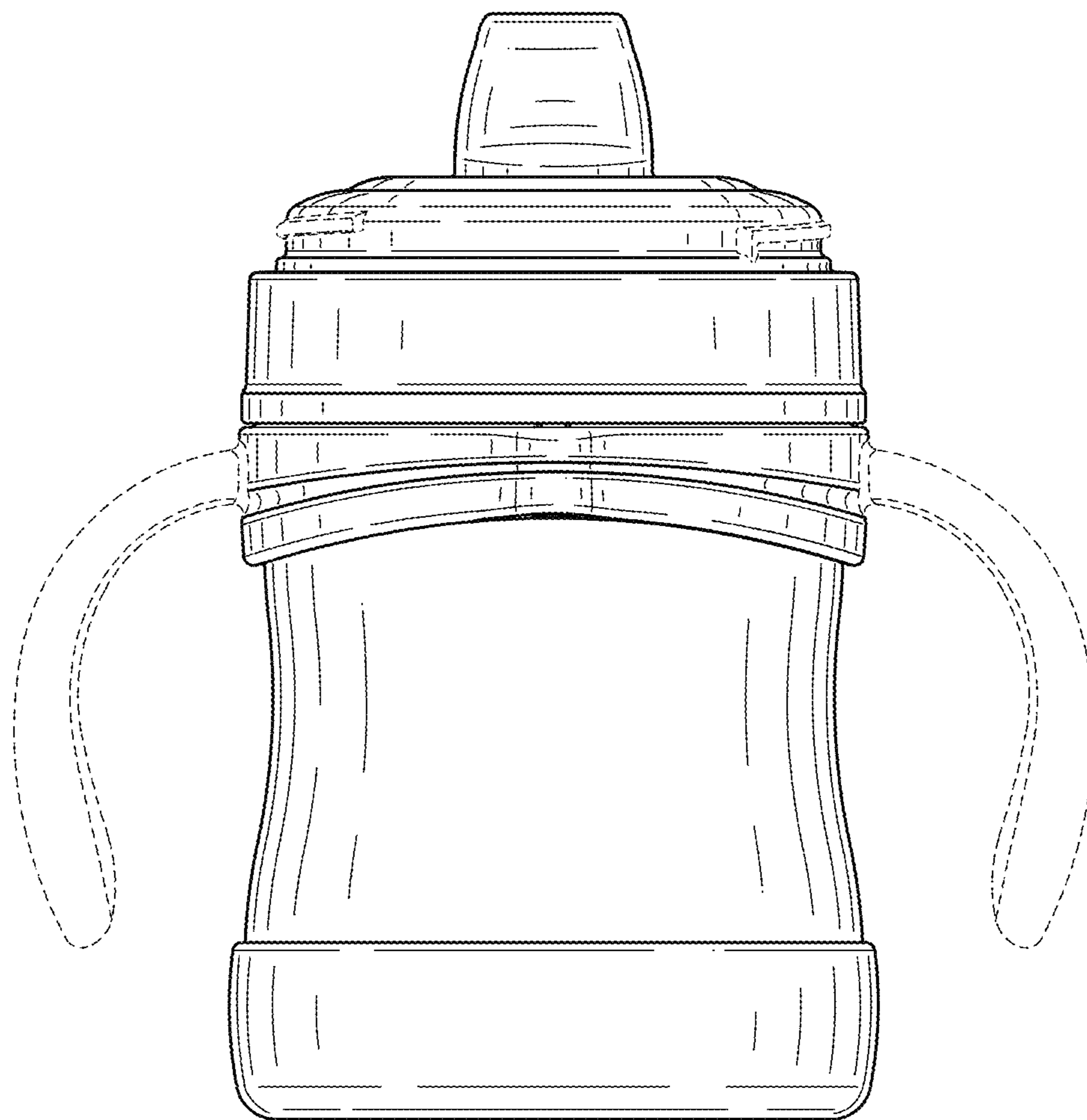


FIG. 3

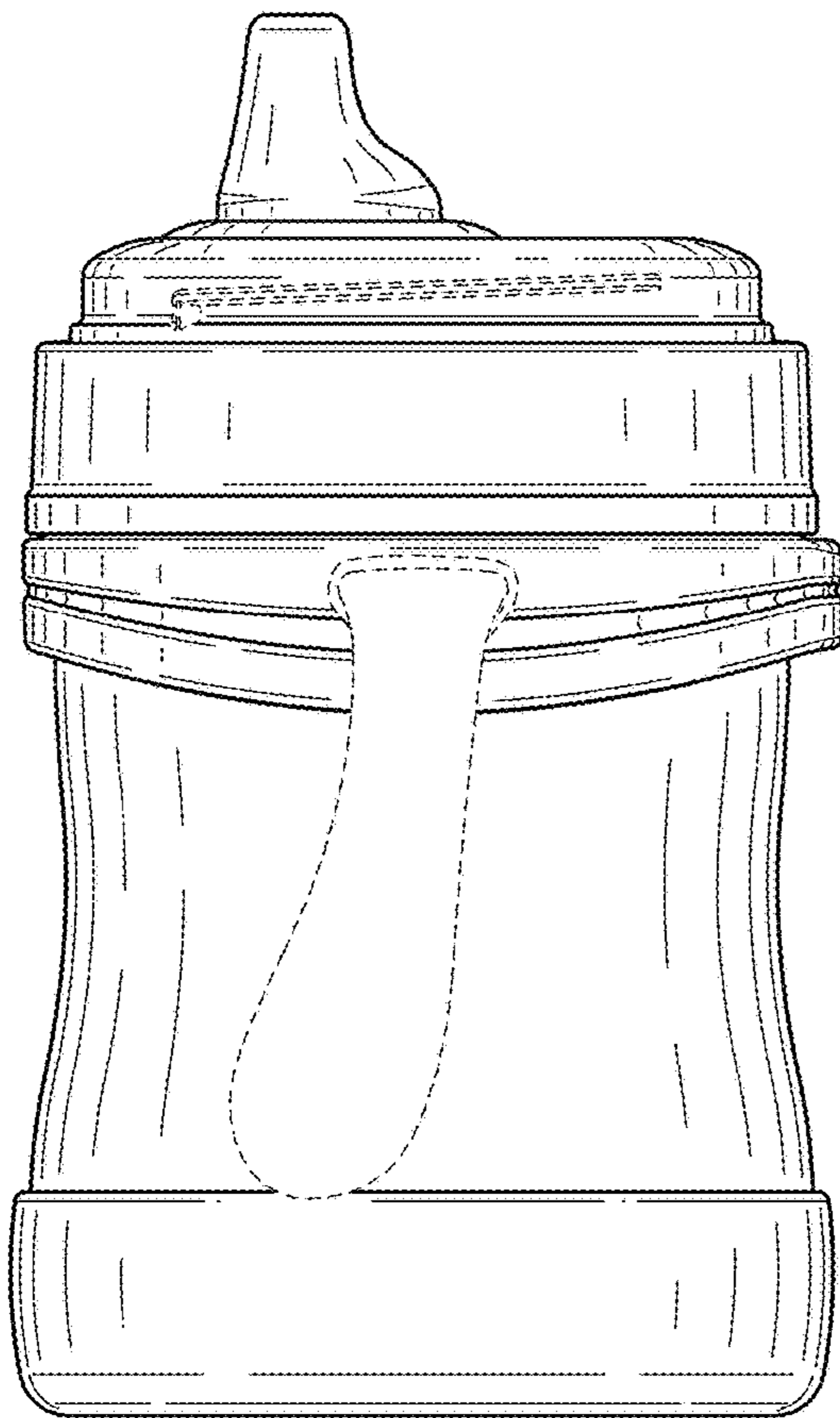


FIG. 4

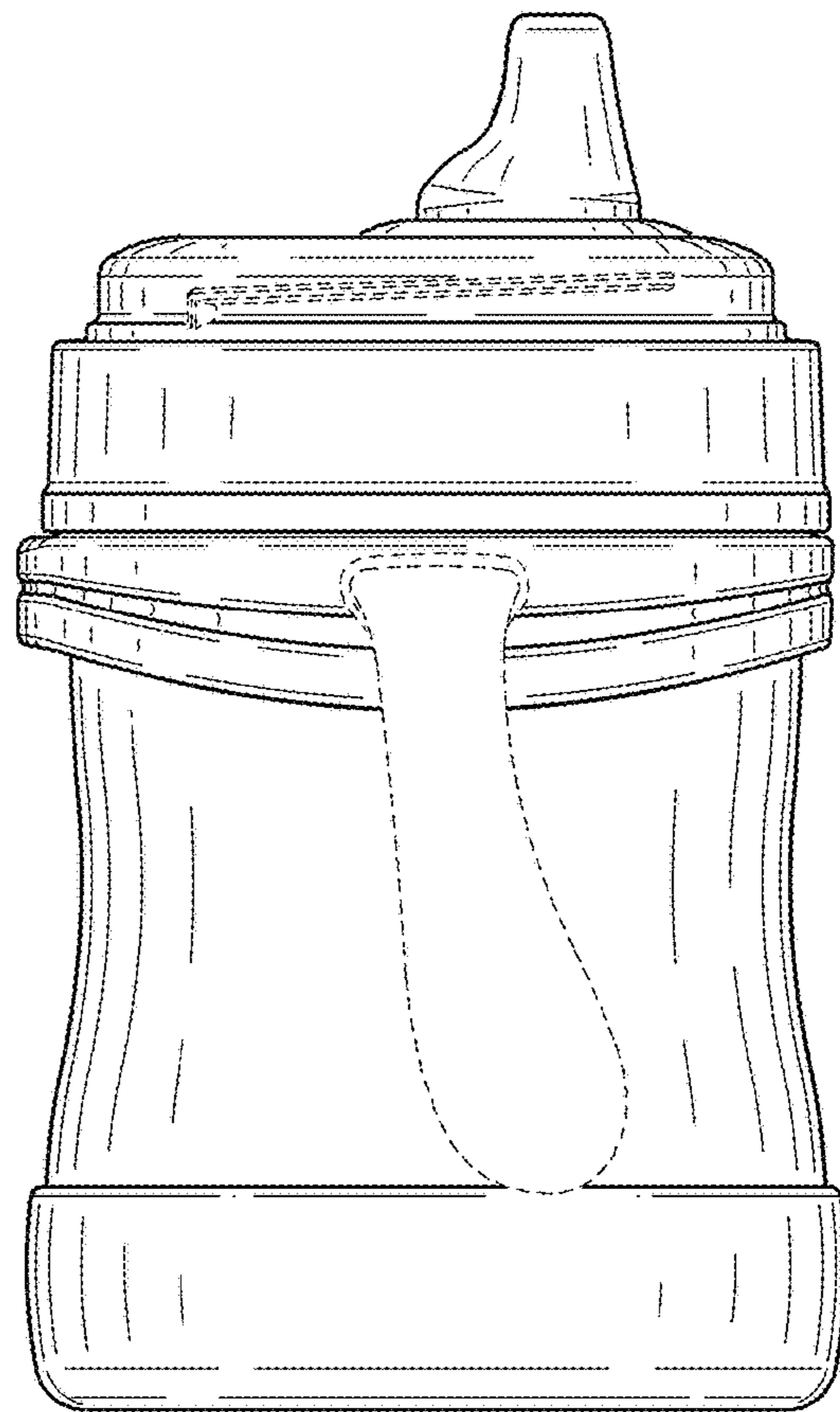


FIG. 5

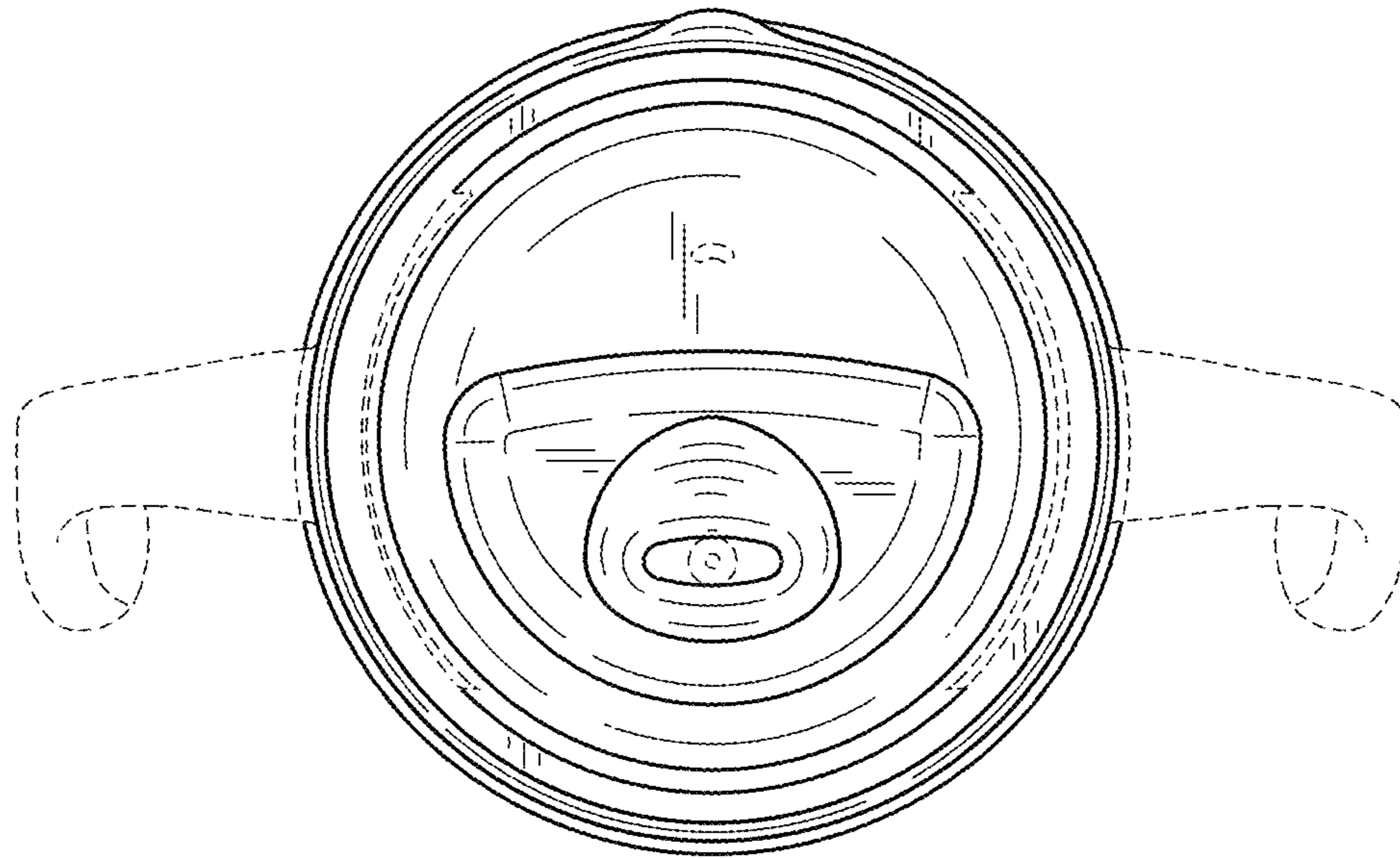


FIG. 6

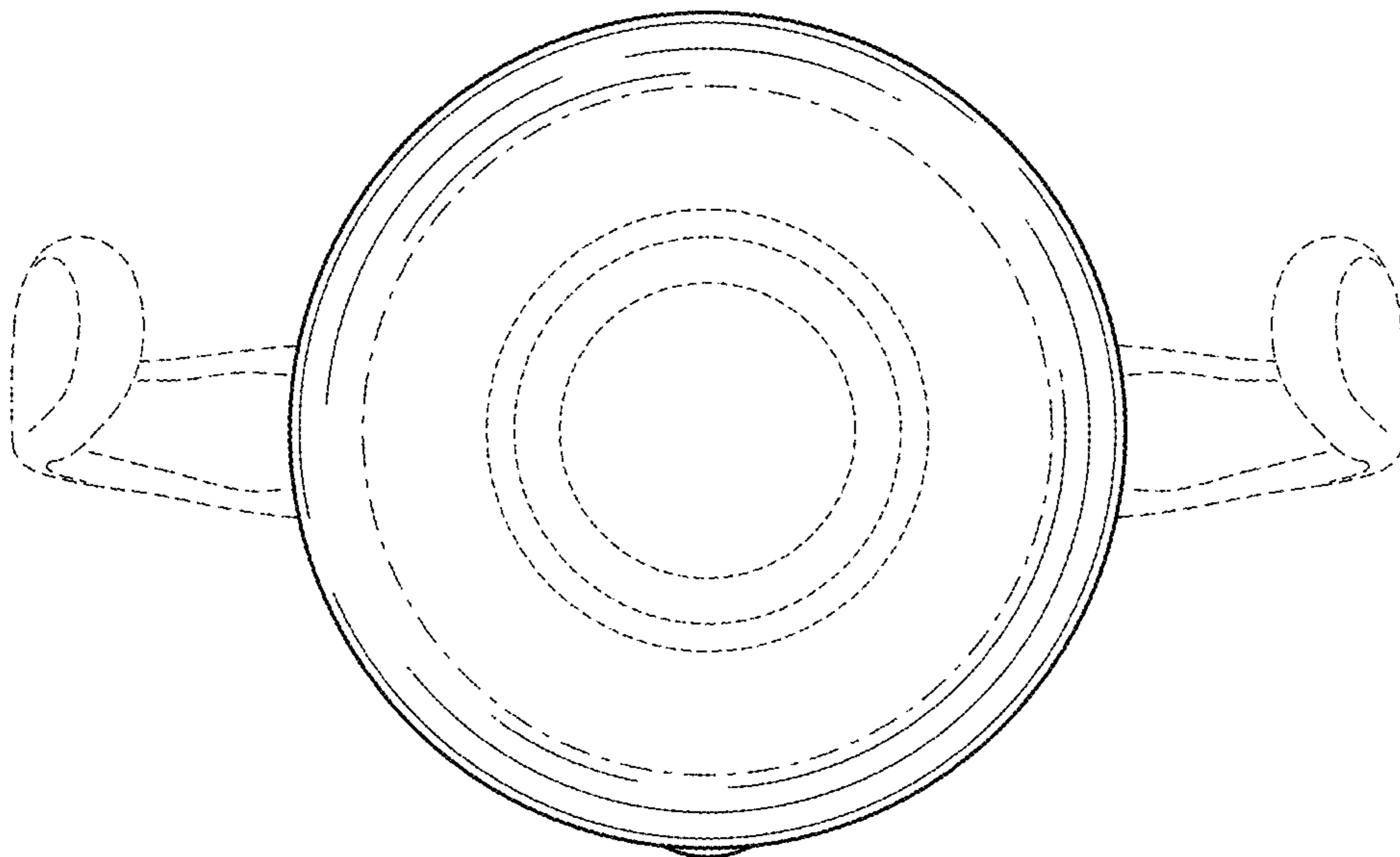


FIG. 7