



US00D833815S

(12) **United States Design Patent**
Prior et al.

(10) **Patent No.:** **US D833,815 S**

(45) **Date of Patent:** **** Nov. 20, 2018**

(54) **CHARCOAL CHIMNEY**

(71) Applicant: **Archipelago Group LLC**, Lakewood,
CO (US)

(72) Inventors: **Bruce Prior**, Lakewood, CO (US);
George Prior, Culver City, CA (US)

(73) Assignee: **Archipelago Group LLC**, Lakewood,
CO (US)

(**) Term: **15 Years**

(21) Appl. No.: **29/570,470**

(22) Filed: **Jul. 8, 2016**

(51) **LOC (11) Cl.** **07-99**

(52) **U.S. Cl.**
USPC **D7/417**

(58) **Field of Classification Search**
USPC D7/323, 331-339, 402-408; D23/233,
D23/259, 262-264, 266, 268
CPC A47J 36/26; A47J 36/245; A47J 37/00;
A47J 37/06; A47J 37/07; A47J 37/0605;
A47J 37/0623; A47J 33/00
See application file for complete search history.

(56) **References Cited**

U.S. PATENT DOCUMENTS

D245,256 S *	8/1977	Heidelberg	D7/417
D271,237 S *	11/1983	Palmer	D7/417
D277,224 S *	1/1985	Cole	D7/417
D550,022 S *	9/2007	Amajuwon	D7/332
D580,530 S *	11/2008	McAlpine	D23/268
D644,474 S *	9/2011	Wilgus	D7/332
D743,739 S *	11/2015	Lee	D7/332
D755,940 S *	5/2016	Schulze	D23/266
D760,364 S *	6/2016	Angel	D23/262

D770,600 S *	11/2016	Daughters	D23/263
D803,362 S *	11/2017	Feros	D23/262
2002/0164439 A1 *	11/2002	Huang	A47J 37/079 428/34.1

OTHER PUBLICATIONS

https://www.amazon.com/Chimney-Insanity-Charcoal-Starter-Fastest/dp/B01N7FO8F5/ref=sr_1_fkmr2_1?ie=UTF8&qid=1514998036&sr=8-1-fkmr2&keywords=mr+bar-b-q+chimney (Year: 2017).*

* cited by examiner

Primary Examiner — Derrick Holland

Assistant Examiner — Andrew Kerr

(74) *Attorney, Agent, or Firm* — IDP Patent Services;
Olay M. Underdal

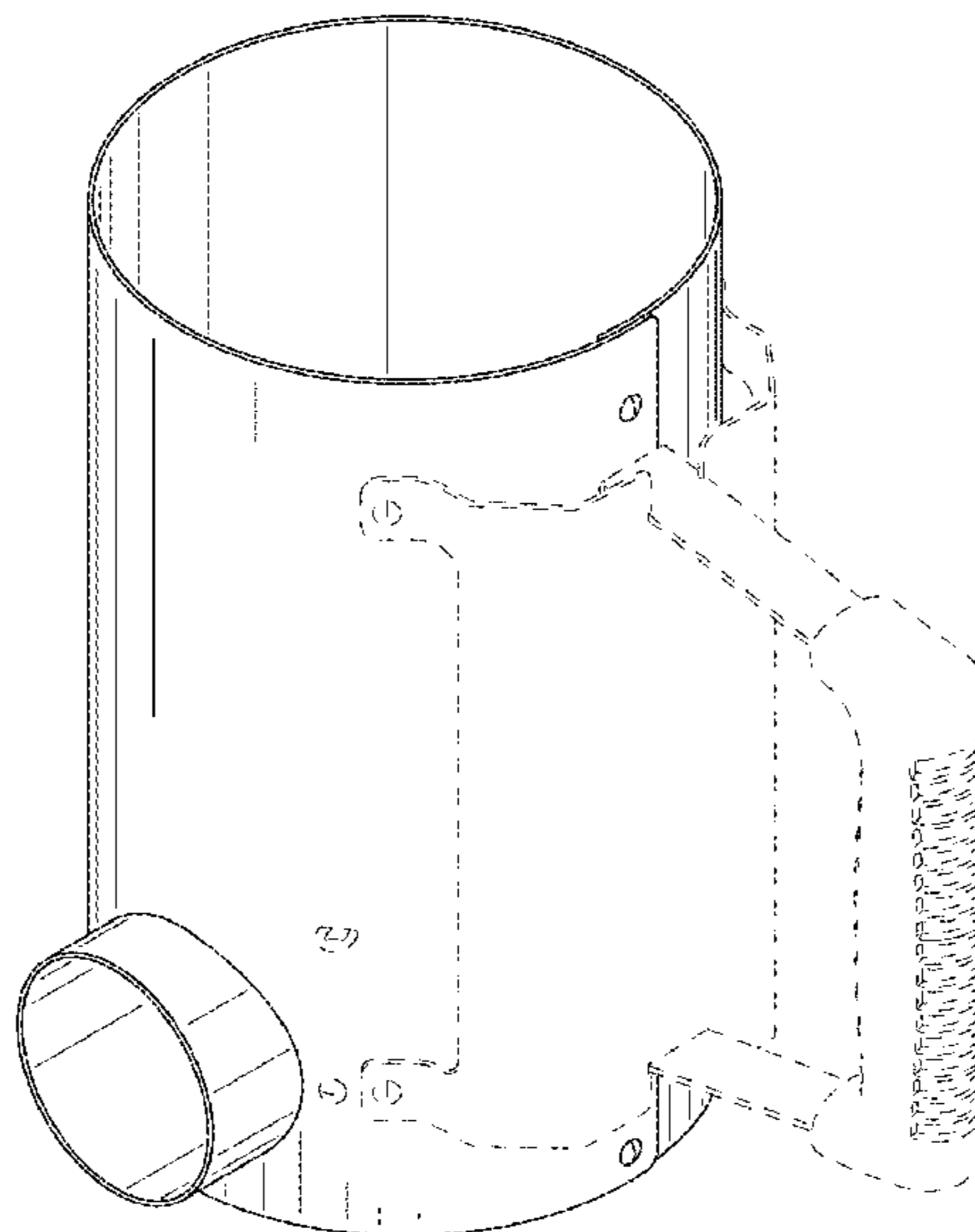
(57) **CLAIM**

The ornamental design for a charcoal chimney, as shown and described.

DESCRIPTION

FIG. 1 is a front-top-left perspective view of a charcoal chimney, showing our new design; FIG. 2 is a front-top-right perspective view of the charcoal chimney of FIG. 1; FIG. 3 is a front-bottom-left perspective view of the charcoal chimney of FIG. 1; FIG. 4 is a front-bottom-right perspective view of the charcoal chimney of FIG. 1; FIG. 5 is a front view of the charcoal chimney of FIG. 1; FIG. 6 is a rear view of the charcoal chimney of FIG. 1; FIG. 7 is a left view of the charcoal chimney of FIG. 1; FIG. 8 is a right view of the charcoal chimney of FIG. 1; FIG. 9 is a top view of the charcoal chimney of FIG. 1; and, FIG. 10 is a bottom view of the charcoal chimney of FIG. 1. The broken lines in the drawing indicate environmental structure and form no part of the design to be patented.

1 Claim, 9 Drawing Sheets



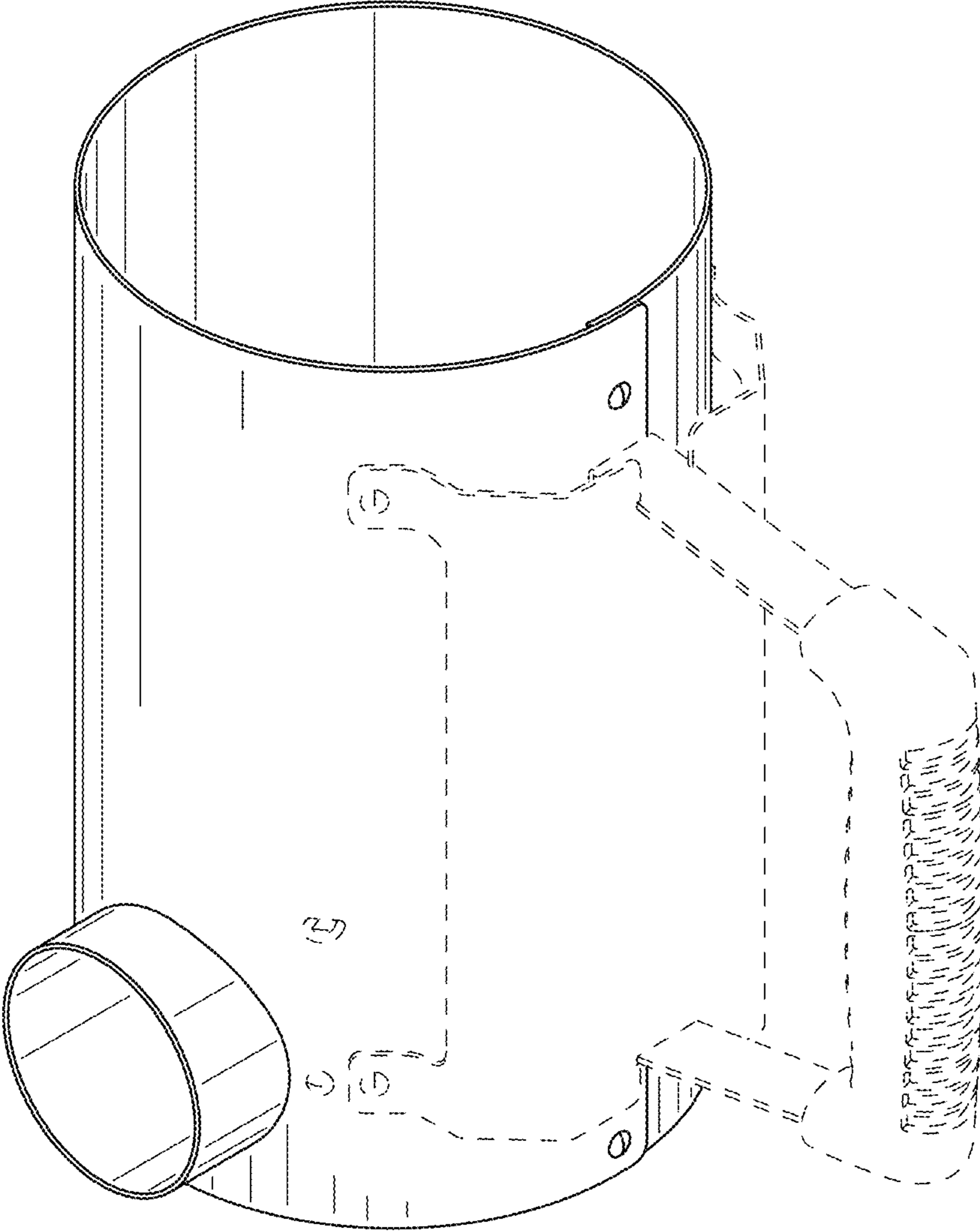


FIG.1

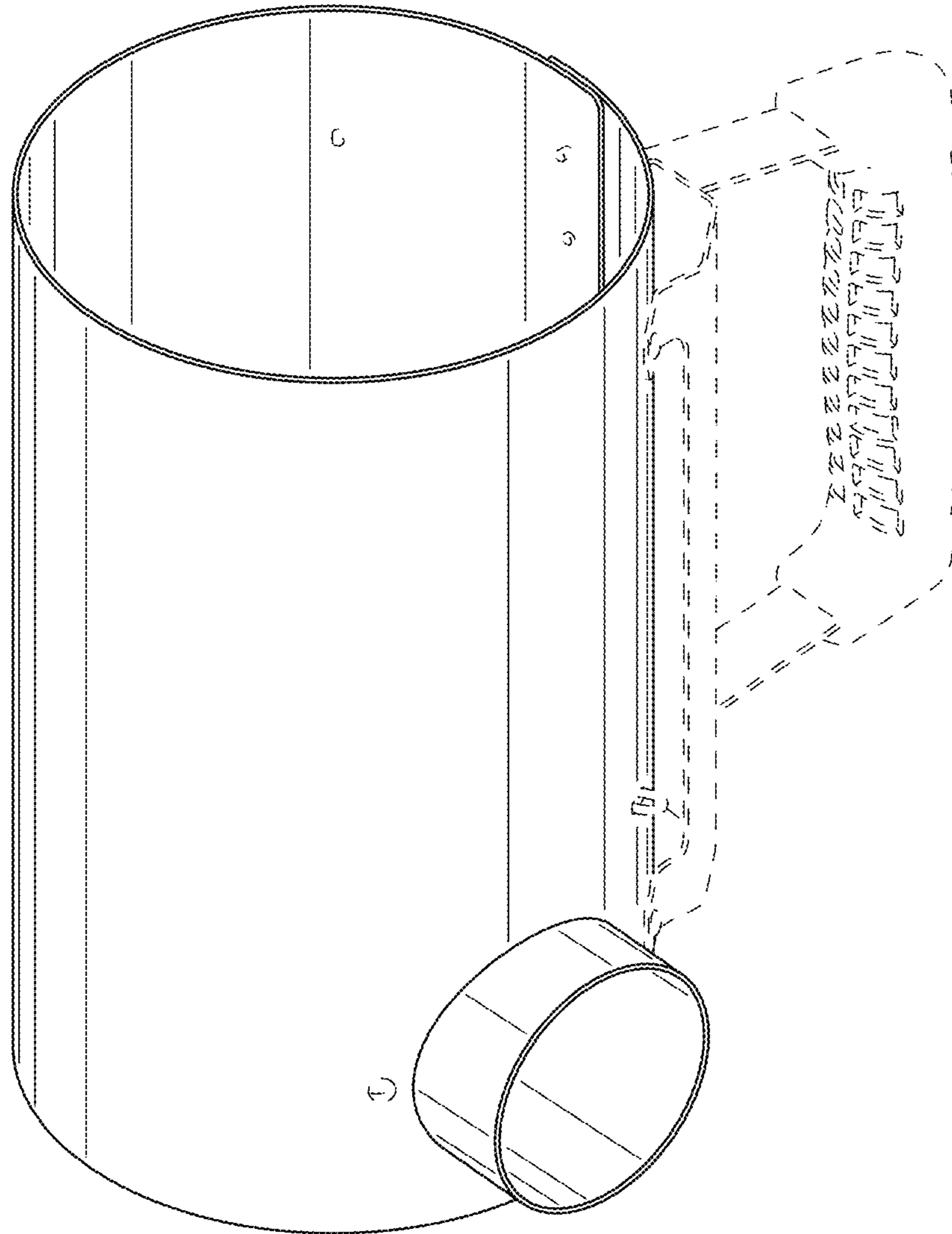


FIG.2

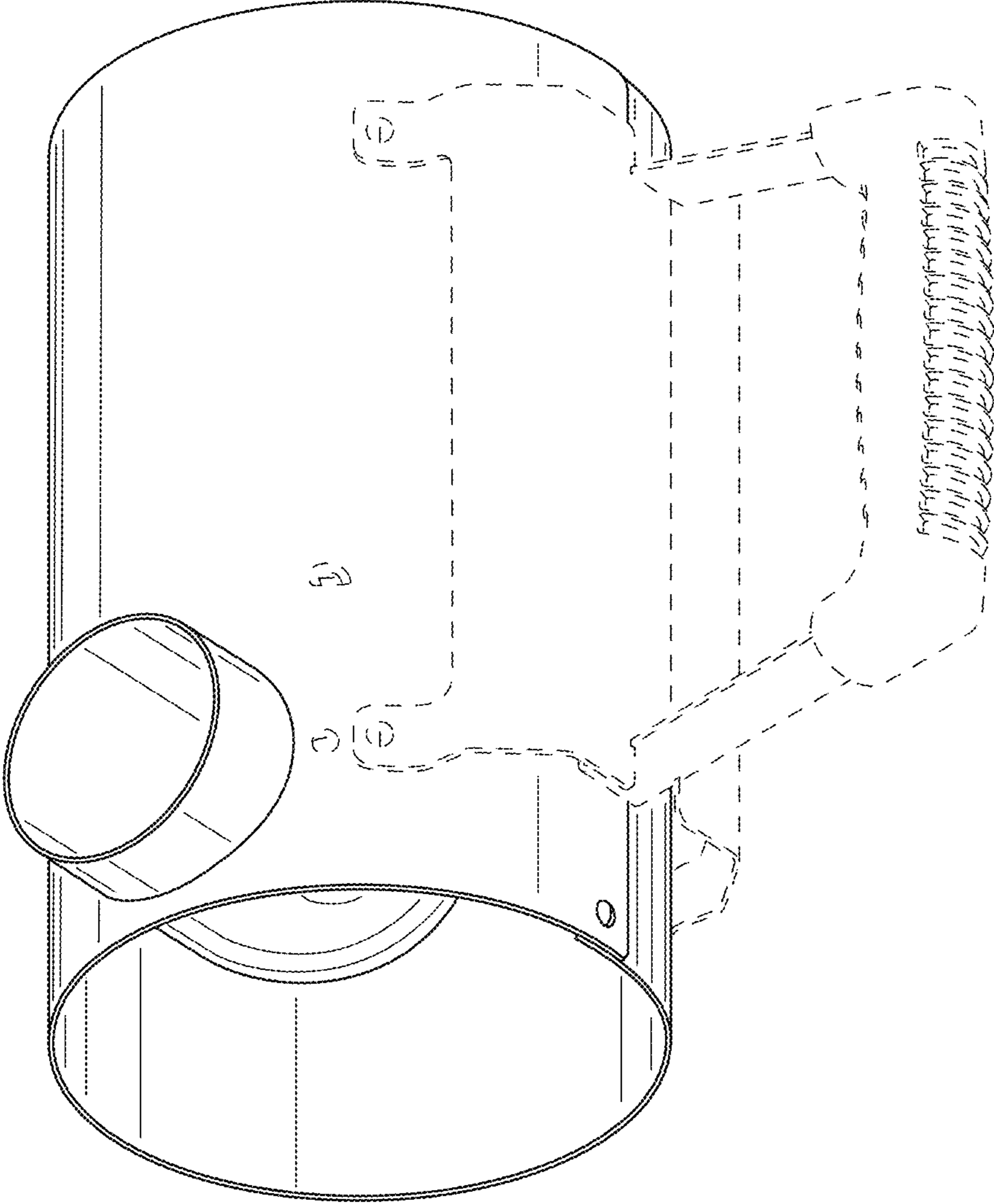


FIG.3

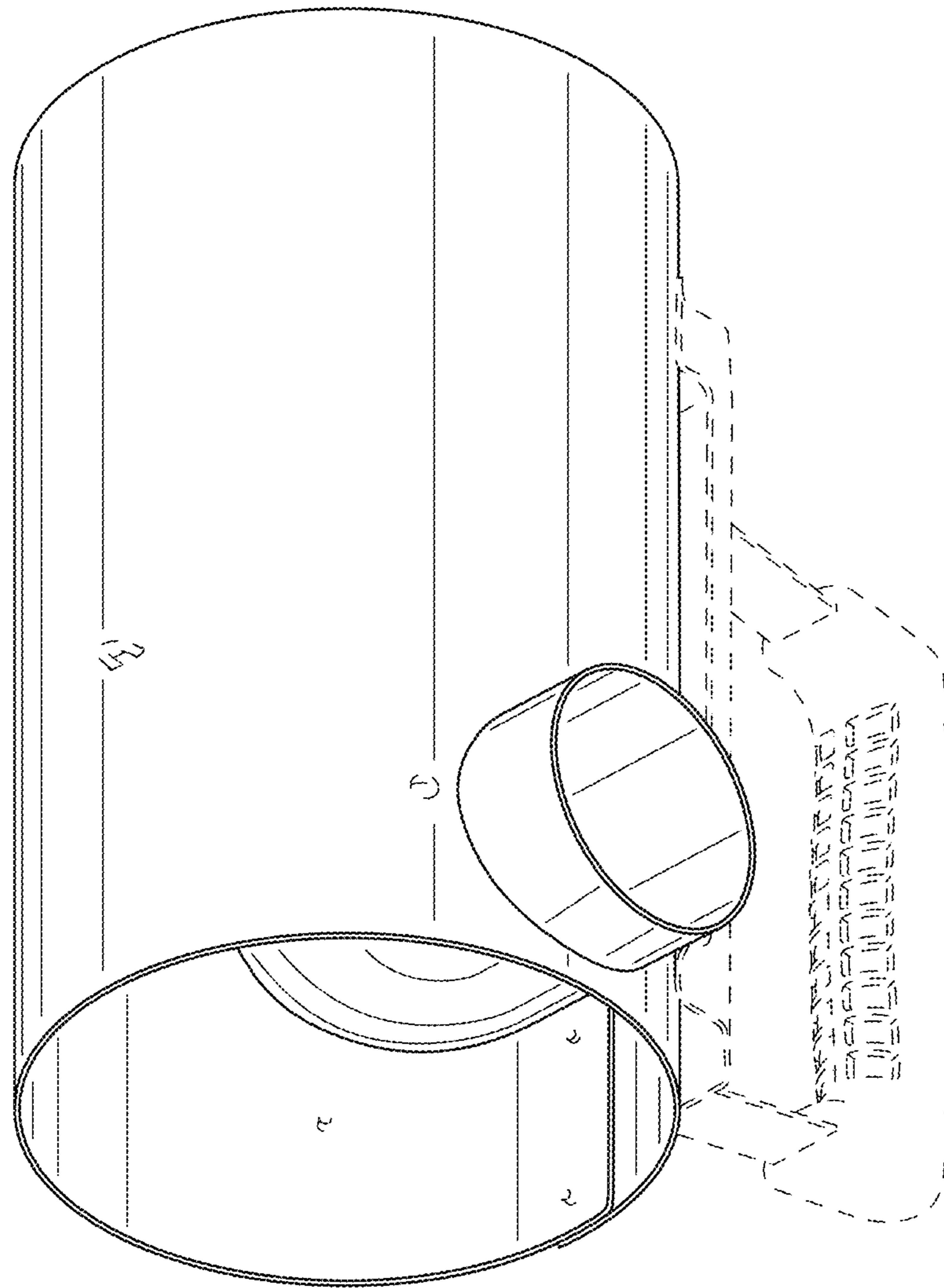


FIG.4

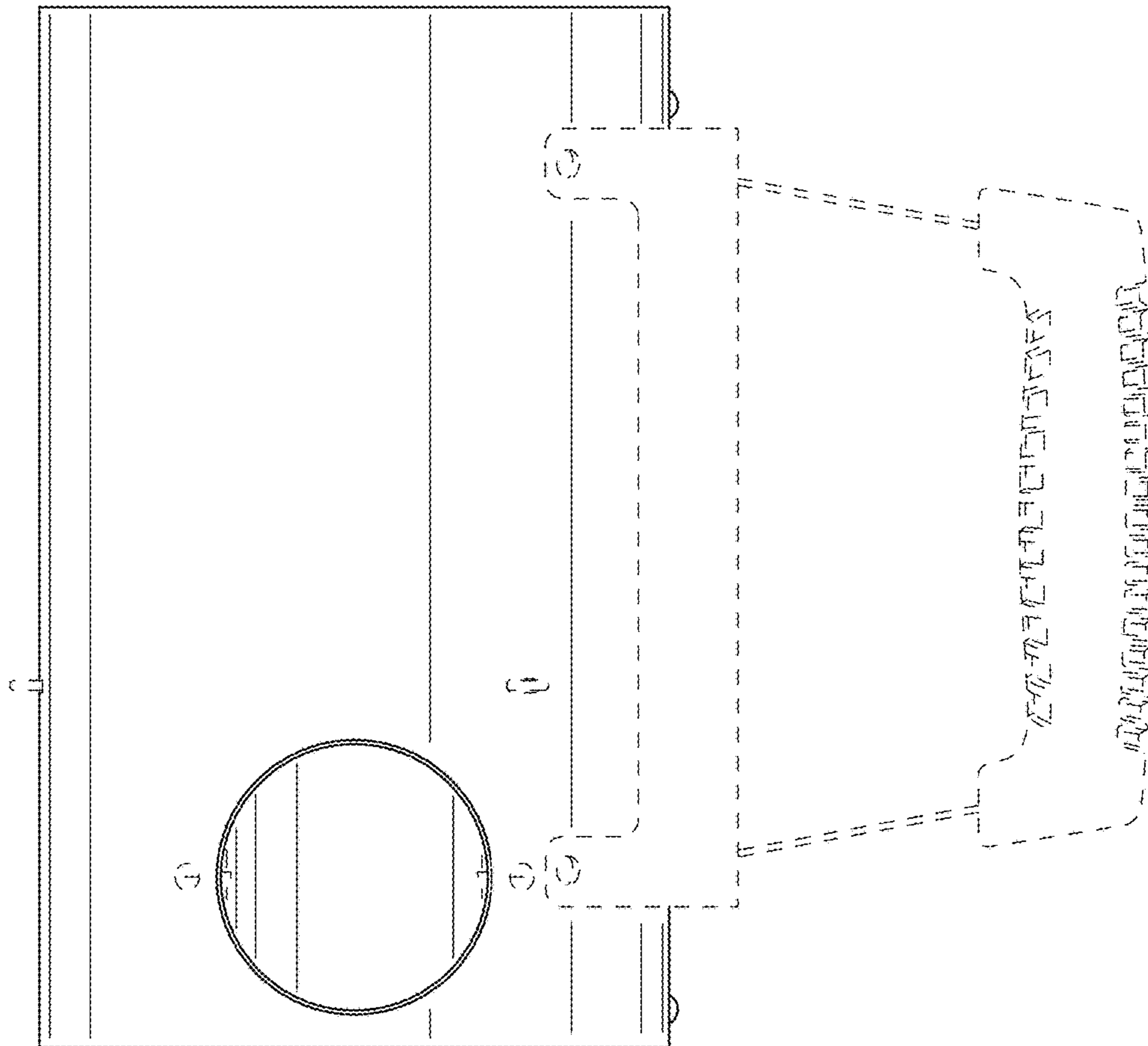


FIG.5

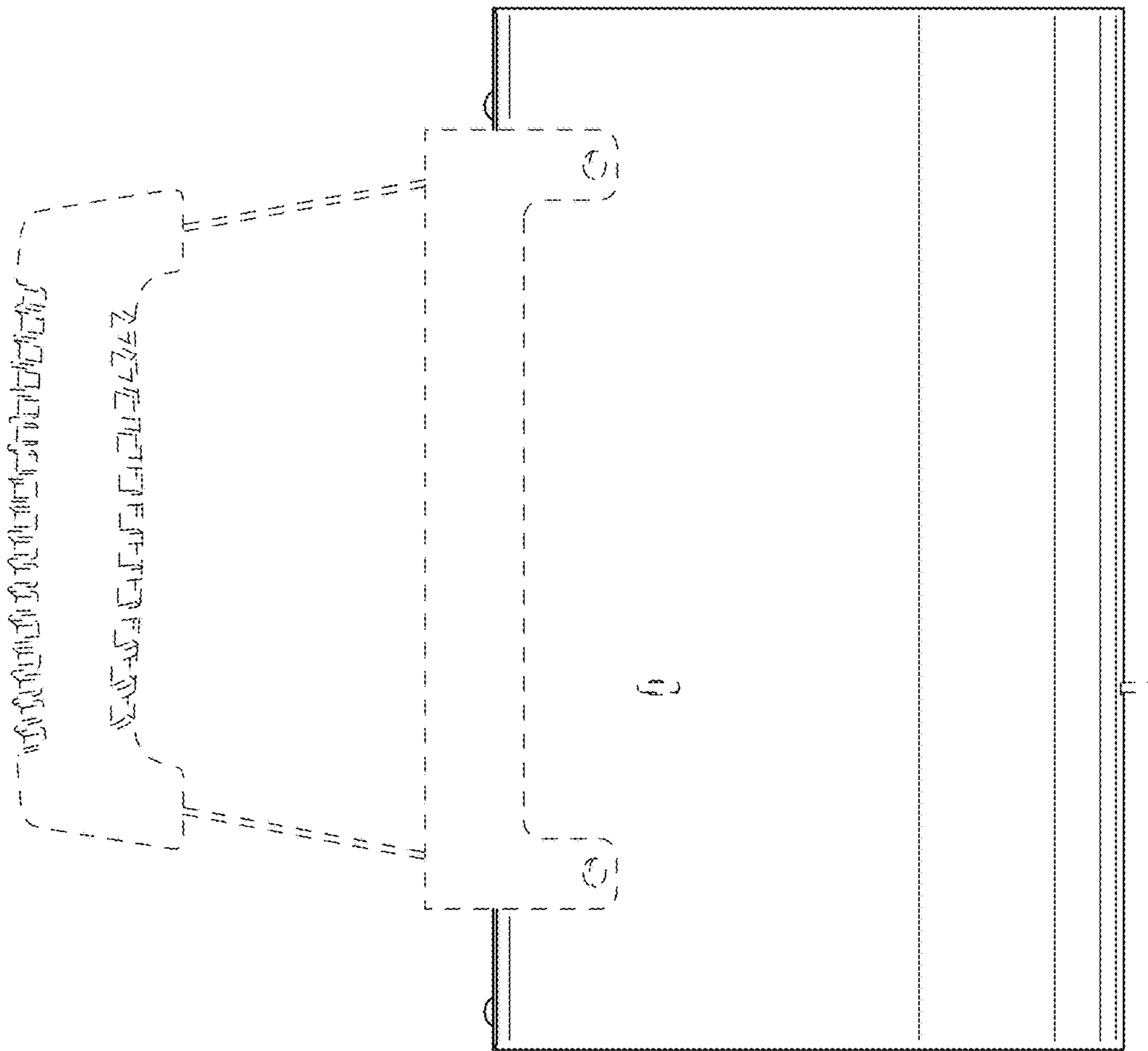


FIG.6

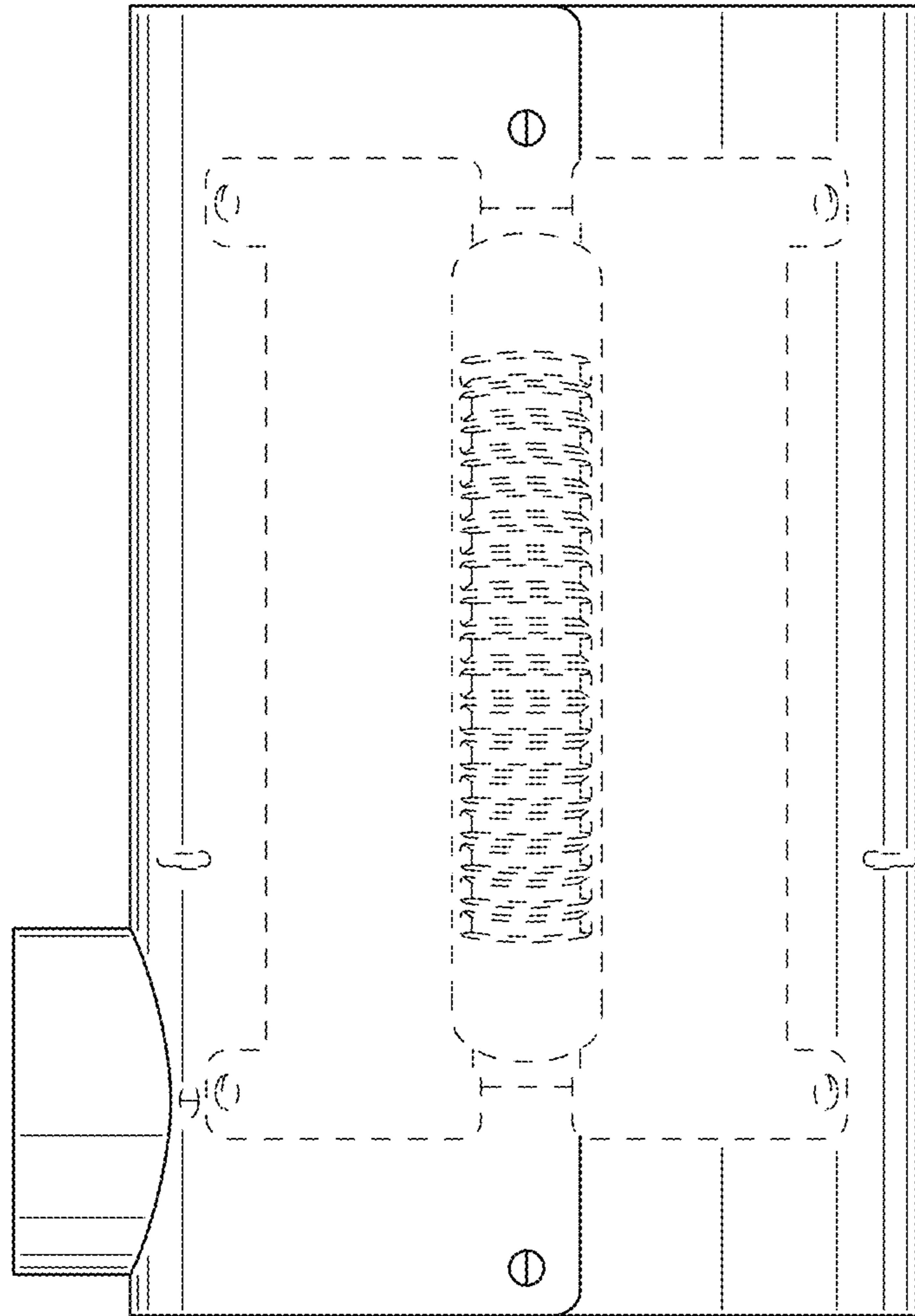


FIG.7

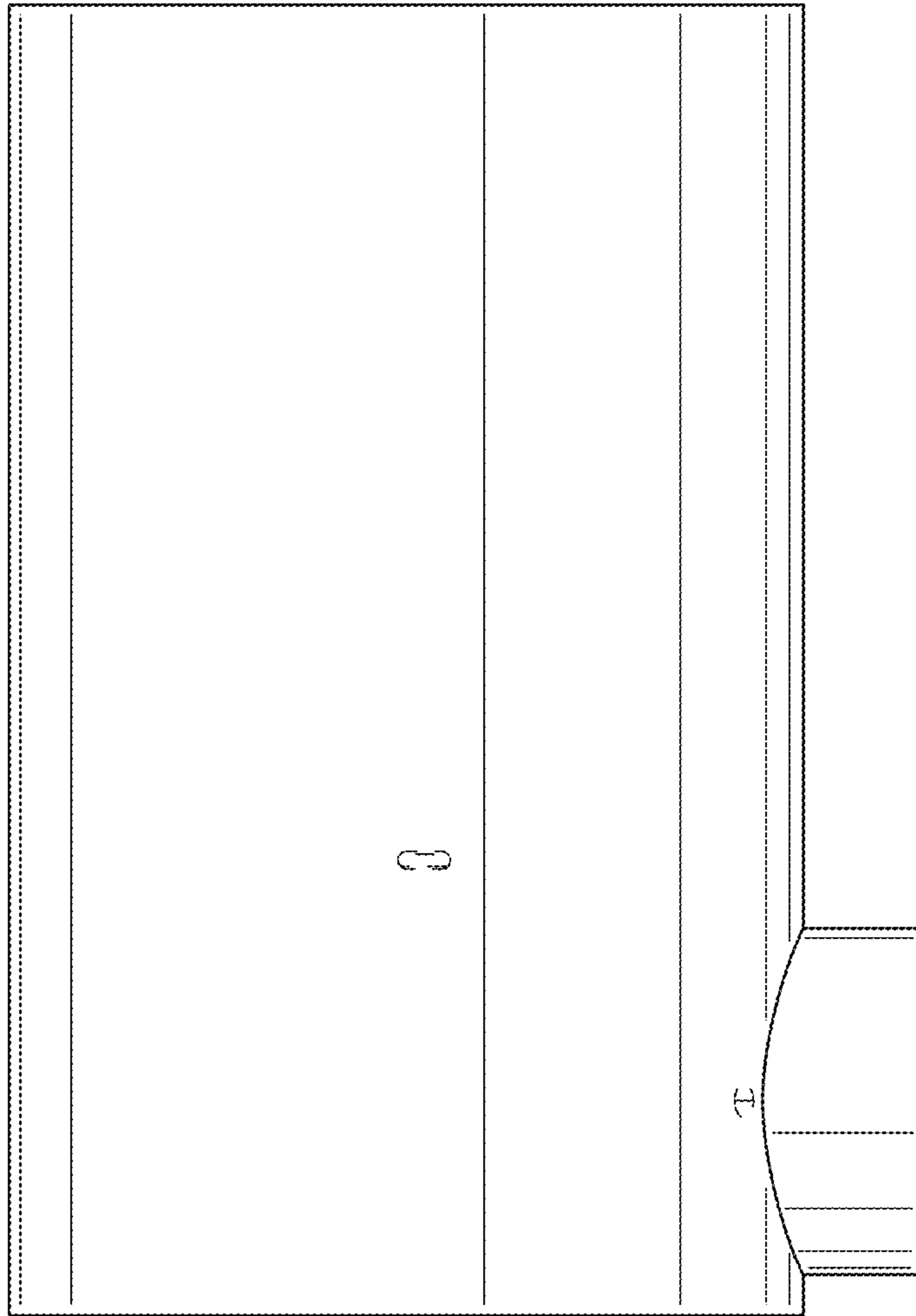


FIG.8

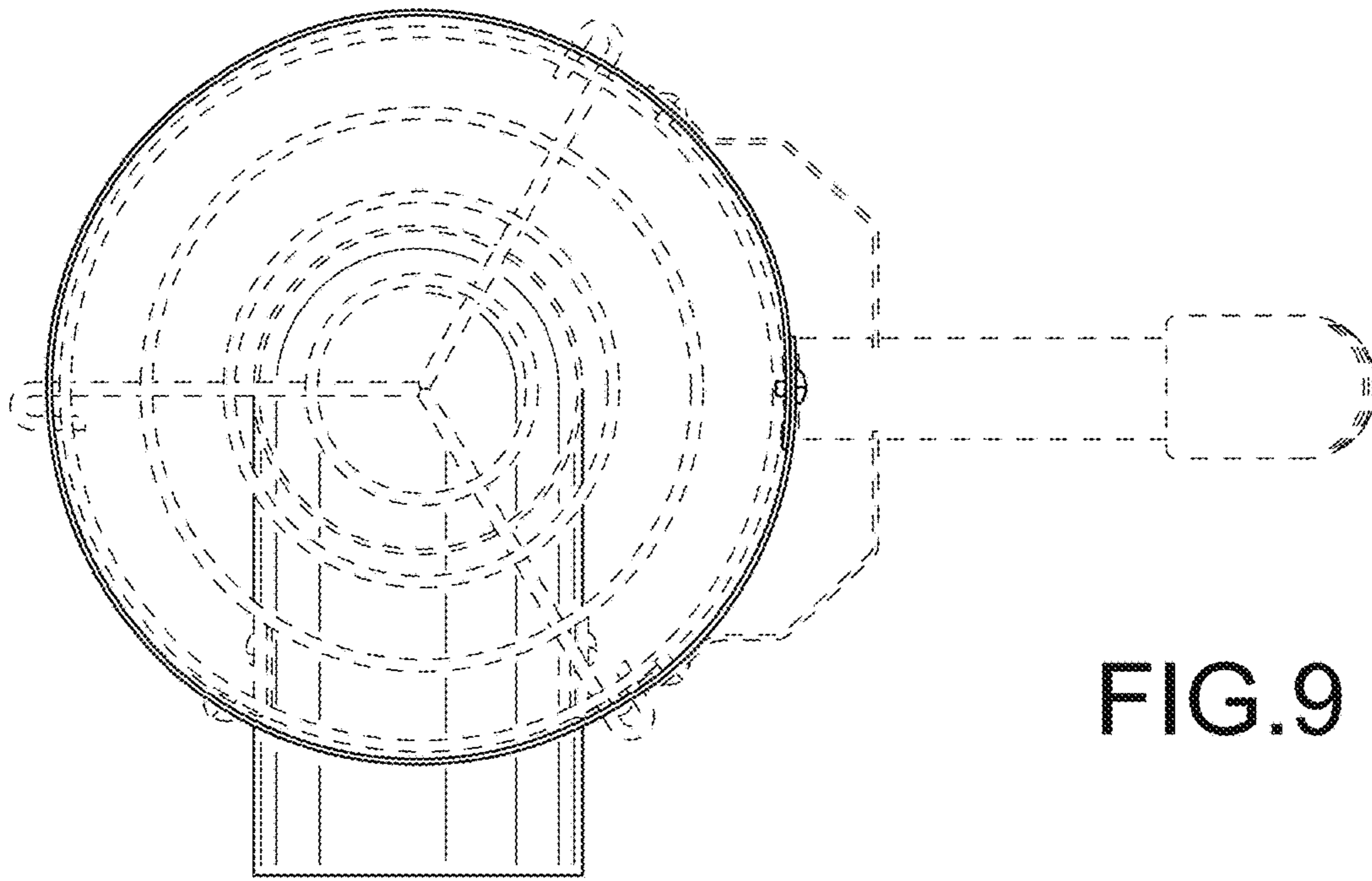


FIG. 9

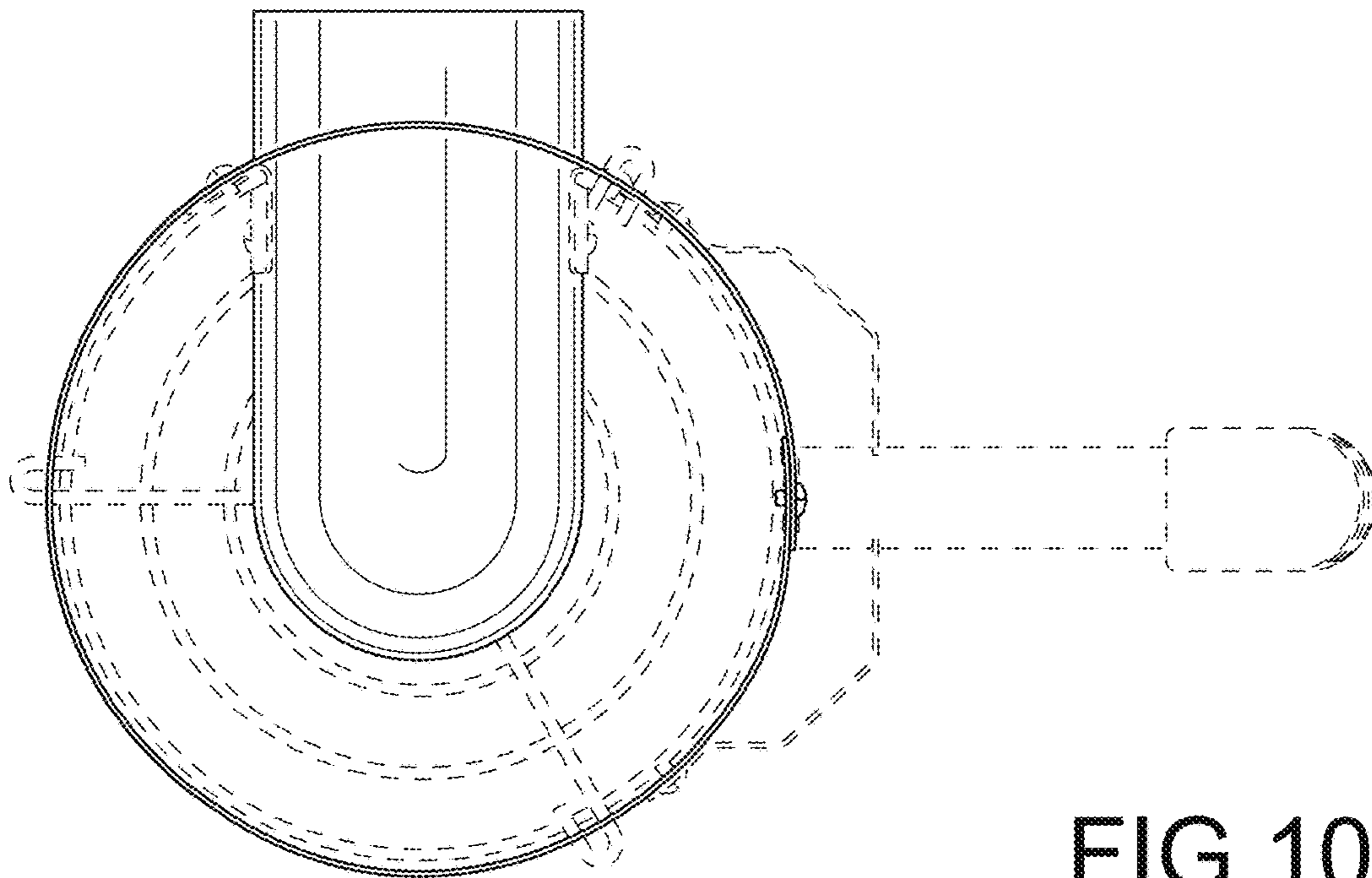


FIG. 10