



US00D833814S

(12) **United States Design Patent** (10) **Patent No.:** **US D833,814 S**  
**Smith** (45) **Date of Patent:** **\*\* Nov. 20, 2018**

(54) **BLENDER CONTAINER** B28C 5/10; B28C 5/12; B28C 5/14;  
B28C 5/16

(71) Applicant: **SharkNinja Operating LLC,** See application file for complete search history.  
Needham, MA (US)

(72) Inventor: **Cory R. Smith,** Aburndale, MA (US)

(73) Assignee: **SharkNinja Operating LLC,**  
Needham, MA (US)

(\*\*) Term: **15 Years**

(21) Appl. No.: **29/633,885**

(22) Filed: **Jan. 17, 2018**

(56) **References Cited**

U.S. PATENT DOCUMENTS

D424,371 S	5/2000	Delmonte	
D445,644 S	7/2001	Littmann	
D480,915 S	10/2003	Kolar et al.	
D528,363 S	9/2006	Ulanski et al.	
D530,565 S	10/2006	Grcic	
D538,595 S	3/2007	White et al.	
D578,340 S	10/2008	Picozza et al.	
D588,406 S *	3/2009	Ulanski .....	D7/413
D621,656 S	8/2010	Ulanski et al.	

(Continued)

FOREIGN PATENT DOCUMENTS

KR	300345055 S	2/2004
KR	300422169 S	8/2006

OTHER PUBLICATIONS

Application for Registration of an Industrial Design Examiner's Report; Canadian Application No. 164966; dated Jan. 14, 2016; 4 Pages.

(Continued)

*Primary Examiner* — Ricky Pham

(74) *Attorney, Agent, or Firm* — Cantor Colburn LLP

(57) **CLAIM**

The ornamental design for a blender container, as shown and described.

**DESCRIPTION**

FIG. 1 is a perspective view of an embodiment of the blender container;  
FIG. 2 is a front elevational view thereof;  
FIG. 3 is a rear elevational view thereof;  
FIG. 4 is a left side elevational view thereof;  
FIG. 5 is a right side elevational view thereof;

(Continued)

**Related U.S. Application Data**

(62) Division of application No. 29/595,033, filed on Feb. 24, 2017, now Pat. No. Des. 811,167, which is a division of application No. 29/527,748, filed on May 21, 2015, now Pat. No. Des. 783,354.

(51) **LOC (11) Cl.** ..... **31-00**

(52) **U.S. Cl.**  
USPC ..... **D7/413**; D7/376; D7/378; D7/412

(58) **Field of Classification Search**  
USPC ..... D7/372, 376-386, 412-413, 602, 629,  
D7/665-666, 669, 679, 693-694  
CPC .... A21C 1/02; A21C 1/04; A23N 1/00; A23N  
1/02; A47J 43/04; A47J 43/25; A47J  
43/27; A47J 43/042; A47J 43/044; A47J  
43/046; A47J 43/075; A47J 43/0722;  
A47J 43/0727; A47J 43/0777; B01F 3/00;  
B01F 3/0807; B01F 3/0853; B01F  
13/0059; B01F 13/0064; B02C 1/08;  
B02C 2/04; B02C 4/42; B02C 4/142;  
B02C 4/143; B02C 4/423; B02C 13/1835;

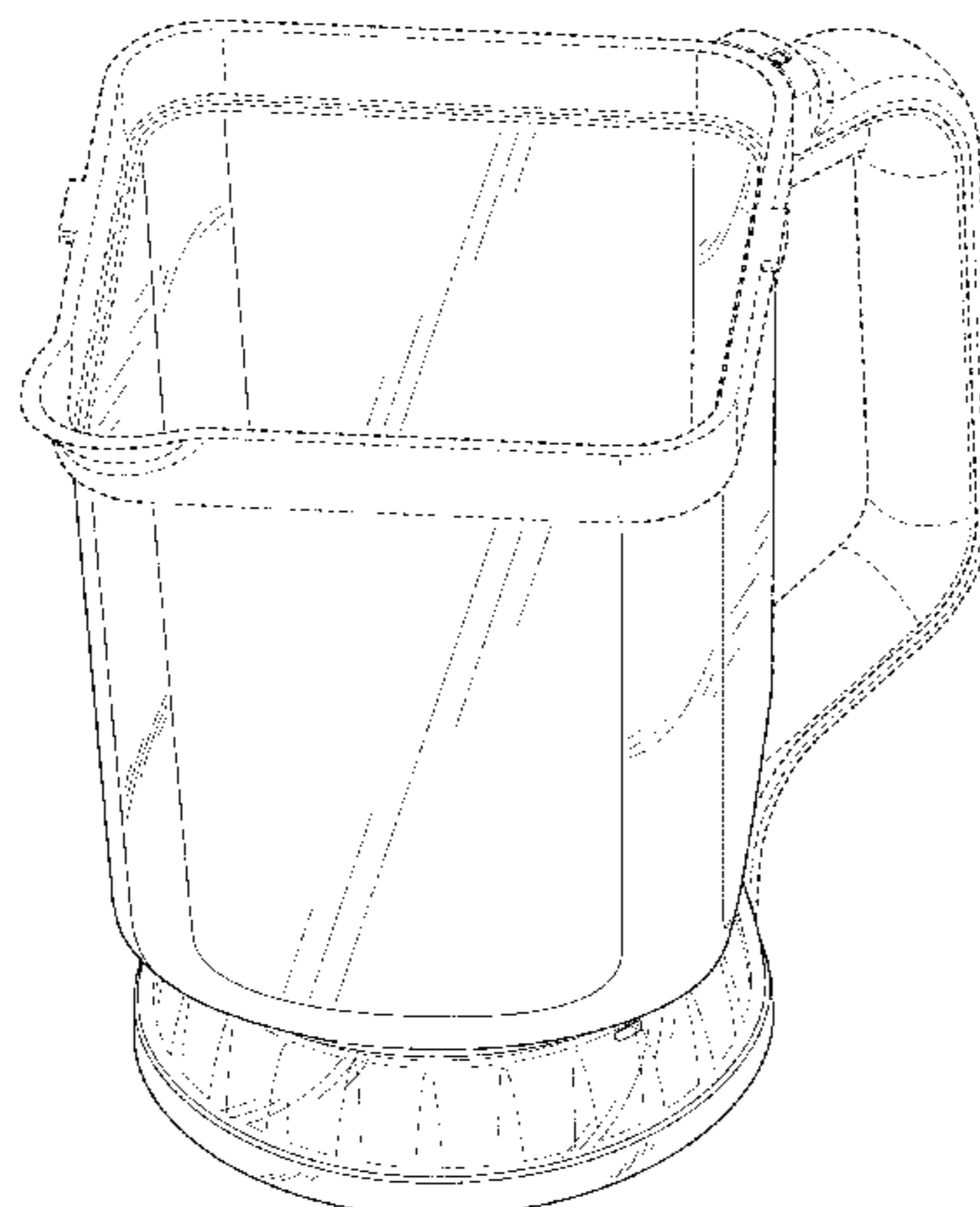


FIG. 6 is a top plan view thereof; and,  
 FIG. 7 is a bottom plan view thereof.  
 The broken lines in the drawings are for illustrative purposes  
 only and form no part of the claimed design.

2012/0024993 A1 2/2012 Audette et al.  
 2012/0026827 A1 2/2012 Audette  
 2012/0027902 A1\* 2/2012 Audette ..... A47J 43/0777  
 426/518

**1 Claim, 7 Drawing Sheets**

OTHER PUBLICATIONS

(56)

**References Cited**

U.S. PATENT DOCUMENTS

D642,858 S	8/2011	Lazzer	
D647,367 S	10/2011	Audette et al.	
D647,368 S	10/2011	Audette et al.	
D661,947 S	6/2012	Conti et al.	
D662,359 S	6/2012	Boozer et al.	
D678,726 S	3/2013	Palermo et al.	
D684,818 S *	6/2013	Lee .....	D7/376
D702,999 S	4/2014	Audette et al.	
D705,606 S	5/2014	Coakley et al.	
8,834,015 B2	9/2014	White et al.	
D730,682 S	6/2015	Tu	
D730,683 S	6/2015	Tu	
D742,172 S	11/2015	Dickson, Jr. et al.	
9,420,915 B2	8/2016	Dickson, Jr. et al.	
D769,061 S *	10/2016	Diderotto .....	D7/376
D777,515 S *	1/2017	Potter .....	D7/376
D783,354 S	4/2017	Smith	
D784,761 S	4/2017	Tu	
D785,403 S	5/2017	Smith	
D791,541 S *	7/2017	Stumph .....	D7/376
D798,109 S *	9/2017	Ulanski .....	D7/376
D807,700 S *	1/2018	Tu .....	D7/413
D808,718 S *	1/2018	Coakley .....	D7/413
D808,719 S *	1/2018	Coakley .....	D7/413
D809,342 S *	2/2018	Coakley .....	D7/413
D811,166 S *	2/2018	Smith .....	D7/413
D811,167 S *	2/2018	Smith .....	D7/413

Notice of Allowance and Fees Due; U.S. Appl. No. 29/527,748, filed May 21, 2015; Blender Container; dated Oct. 3, 2016; 7 Pages.  
 Notice of Allowance and Fees Due; U.S. Appl. No. 29/527,748, filed May 21, 2015; Blender Container; dated Nov. 25, 2016; 10 Pages.  
 Notice of Allowance; Japanese Design Application No. 2015-026170; dated Apr. 1, 2016; 2 Pages.  
 Notice of Allowance; Japanese Design Application No. 2015-026171; dated Apr. 1, 2016; 2 Pages.  
 Notice of Allowance; Japanese Design Application No. 2015-026172; dated Apr. 1, 2016; 2 Pages.  
 Notice of Allowance; U.S. Appl. No. 29/595,033, filed Feb. 24, 2017; Blender Container; dated Oct. 17, 2017; 7 Pages.  
 Notice of Completion of Formalities for Patent Register and Notice of Grant of Design Patent Right; Chinese Application No. 2015304633121; dated Mar. 16, 2016; 2 Pages.  
 Notice of Decision for Design Registration; Korean Application No. 30-2015-0058156\_M001; dated Jun. 29, 2016; 3 Pages.  
 Notice of Decision for Design Registration; Korean Application No. 30-2015-0058156\_M002; dated Jun. 29, 2016; 3 Pages.  
 Notice of Decision for Design Registration; Korean Application No. 30-2015-0058156\_M003; dated Jun. 29, 2016; 3 Pages.  
 Notice of References; Japanese Design Application No. 2015-026170; dated Apr. 1, 2016; 2 Pages.  
 Office Action [2]; Korean Application No. 30-2015-0058156\_M001; dated Mar. 26, 2016; 4 Pages.  
 Office Action; Korean Application No. 30-2015-0058156\_M001; dated Mar. 26, 2016; 4 Pages.  
 Requirement for Restriction/Election; U.S. Appl. No. 29/527,748, filed May 21, 2015; Blender Container; dated Jul. 26, 2016; 6 Pages.  
 Requirement for Restriction/Election; U.S. Appl. No. 29/595,033, filed Feb. 24, 2017; Blender Container; dated Jul. 5, 2017; 13 Pages.

\* cited by examiner

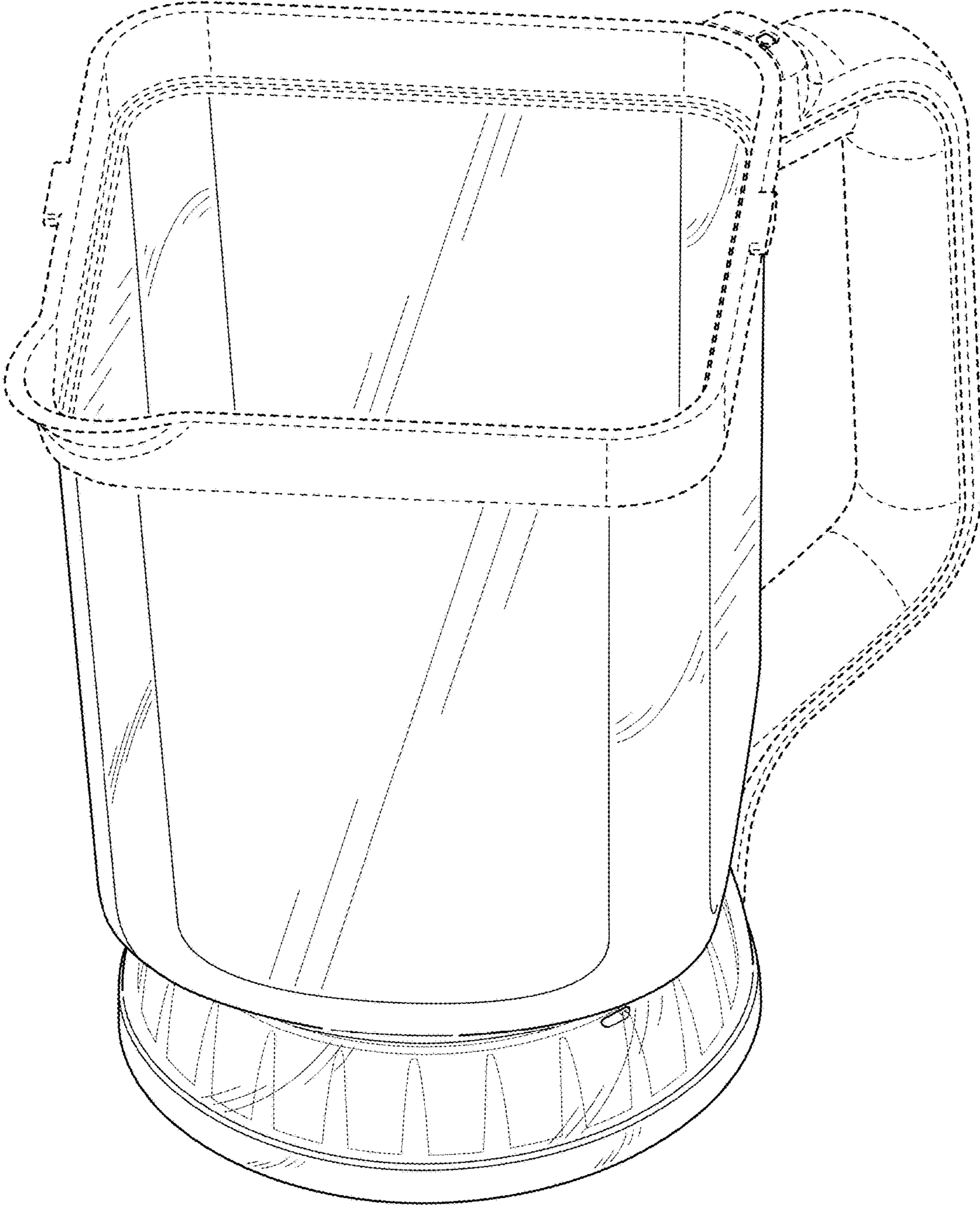


FIG. 1

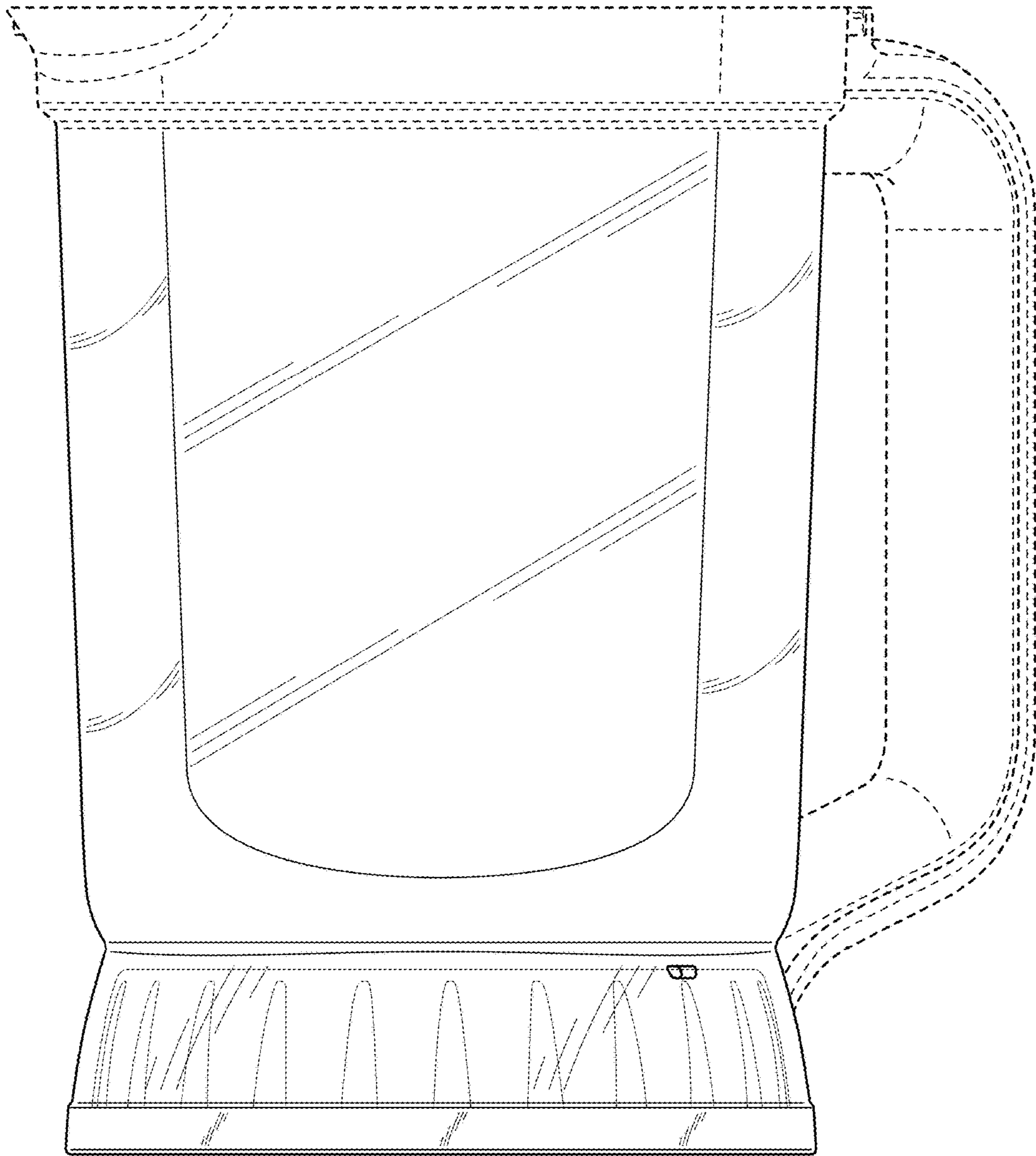


FIG. 2

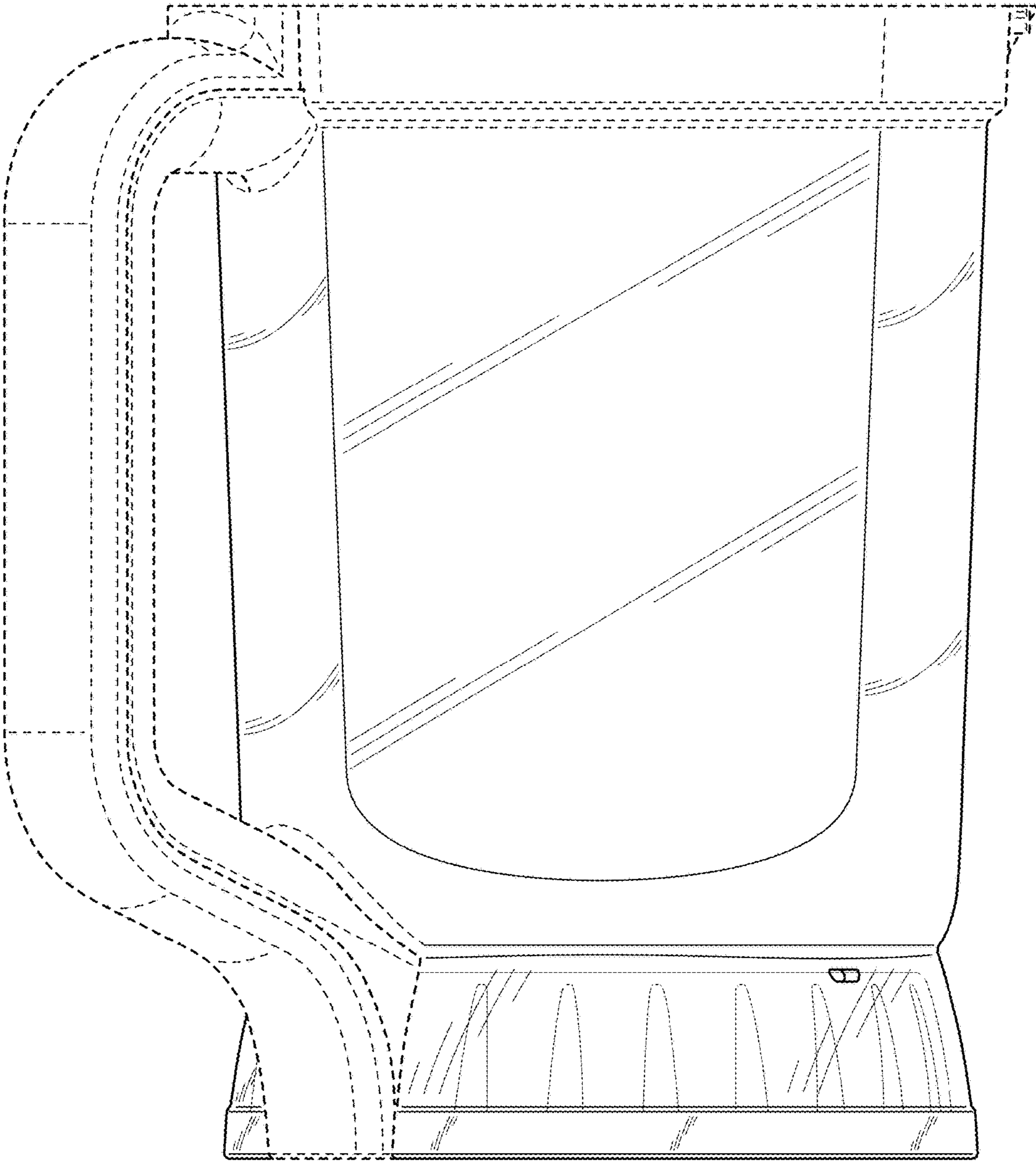


FIG. 3

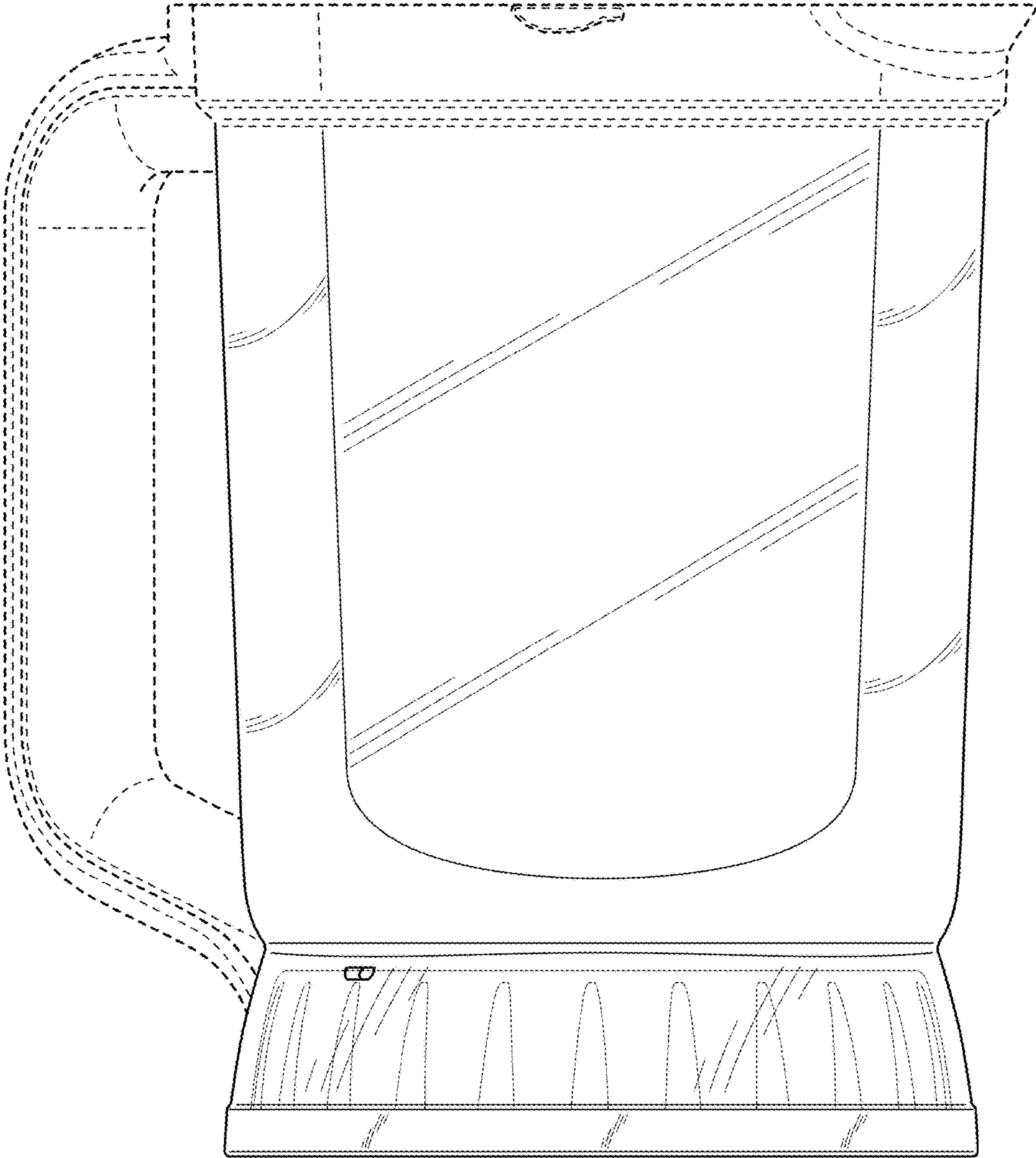


FIG. 4

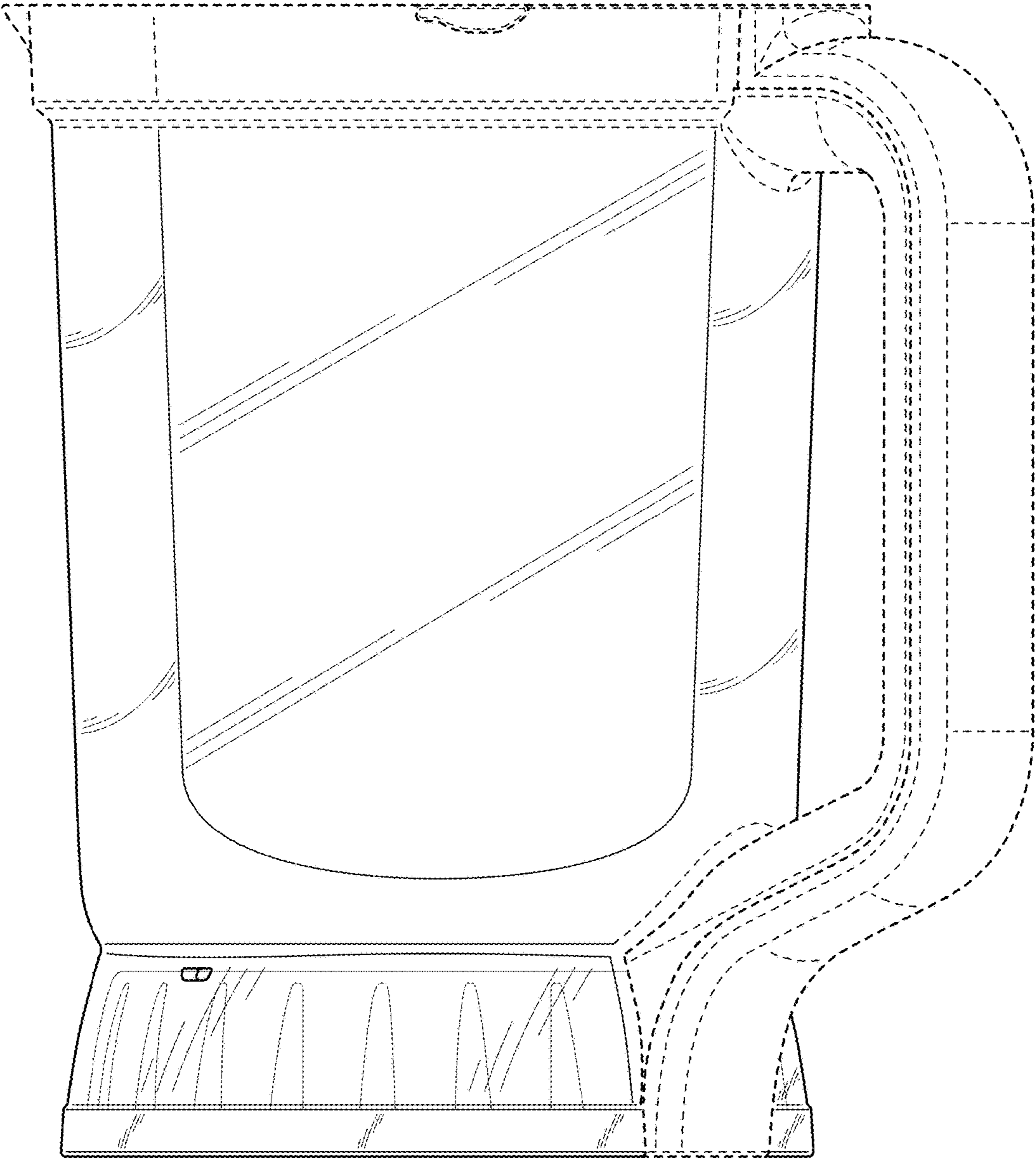


FIG. 5

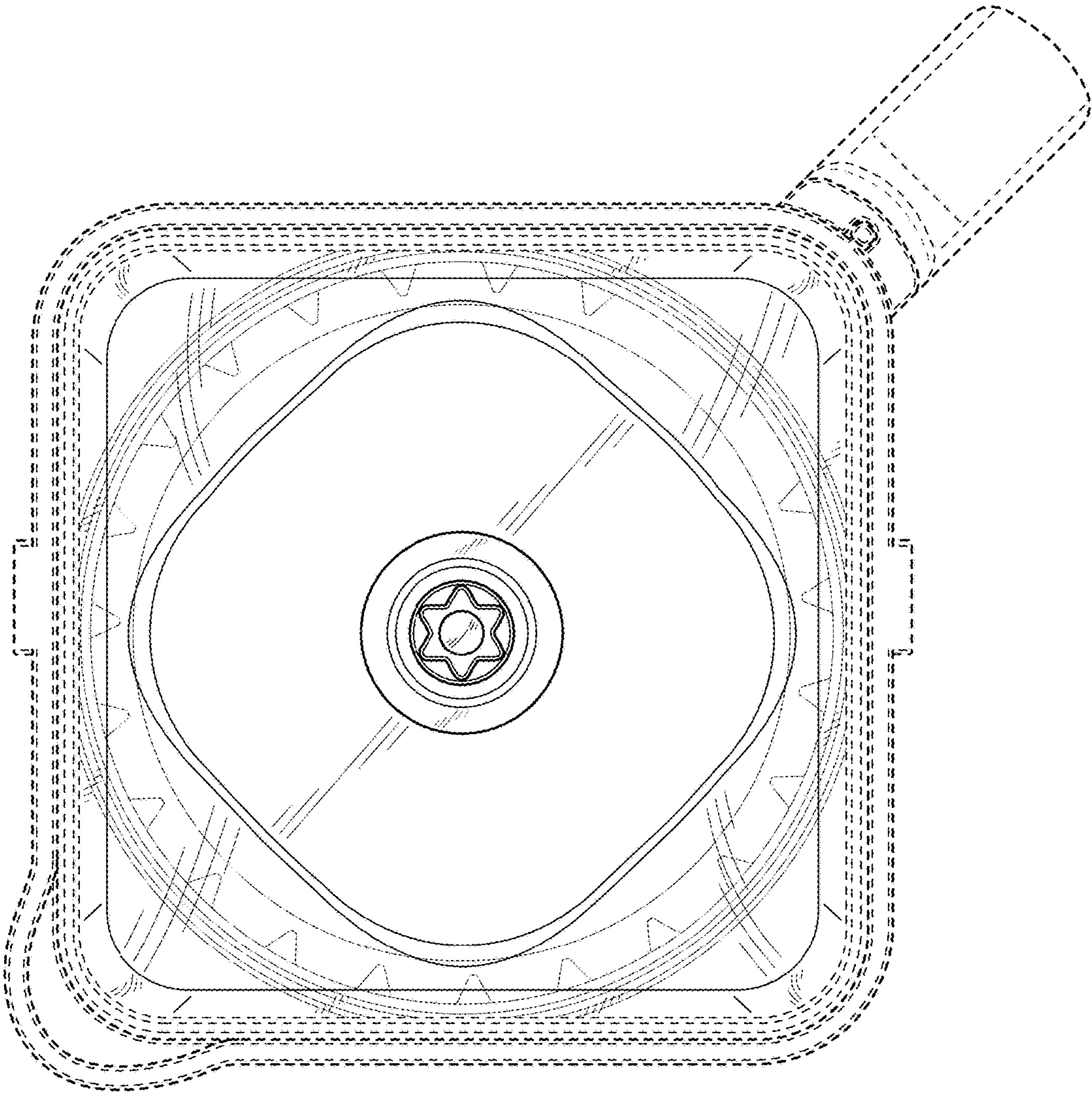


FIG. 6



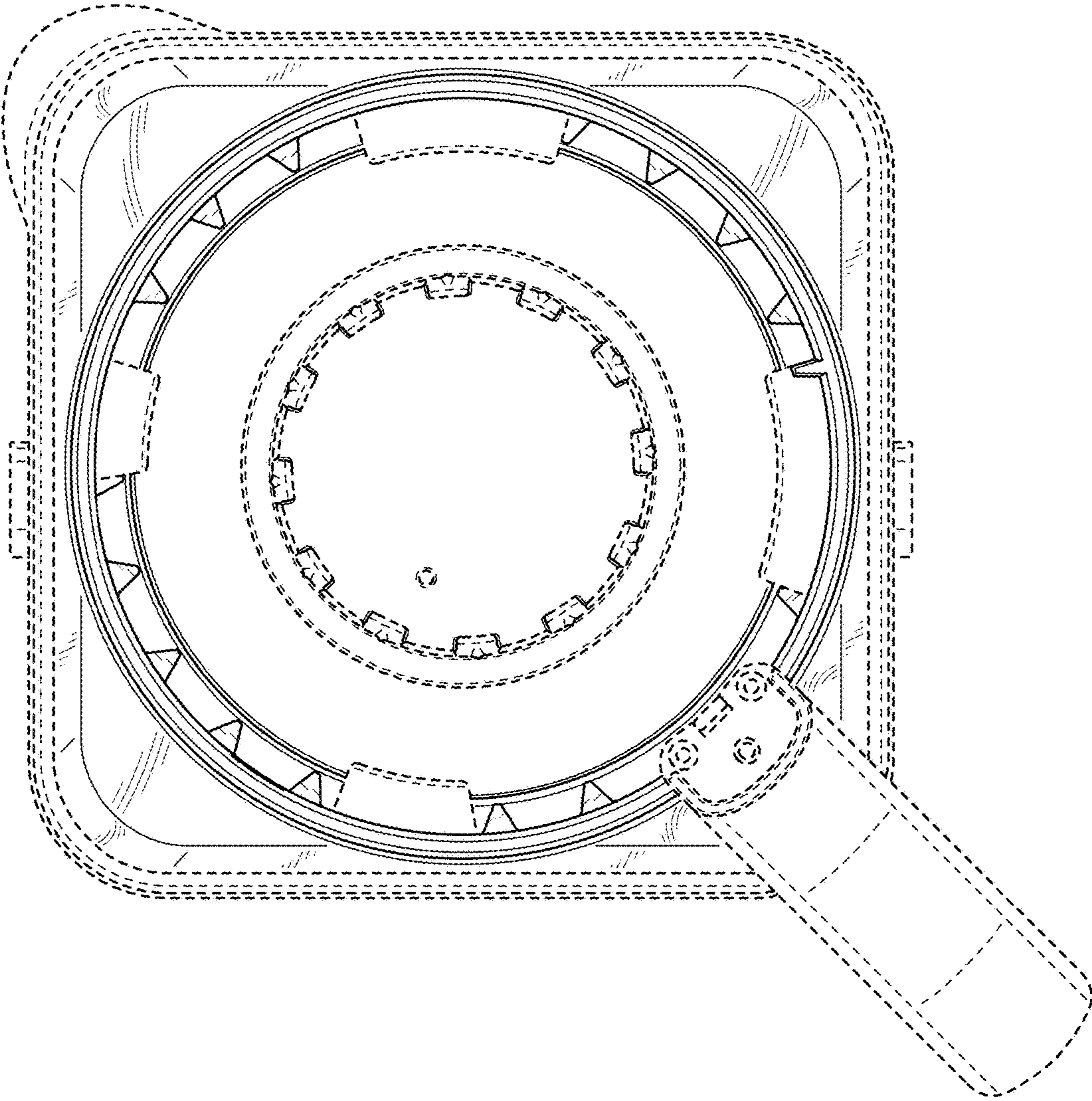


FIG. 7