



US00D833812S

(12) **United States Design Patent** (10) **Patent No.:** **US D833,812 S**  
**Coakley** (45) **Date of Patent:** **\*\* Nov. 20, 2018**

(54) **FOOD PROCESSOR CONTAINER AND TOP THEREOF**

(71) Applicant: **SharkNinja Operating LLC**,  
Needham, MA (US)

(72) Inventor: **Devin Joseph Coakley**, Bellingham,  
MA (US)

(73) Assignee: **SharkNinja Operating LLC**,  
Needham, MA (US)

(\*\*) Term: **15 Years**

(21) Appl. No.: **29/630,102**

(22) Filed: **Dec. 19, 2017**

**Related U.S. Application Data**

(62) Division of application No. 29/571,226, filed on Jul.  
15, 2016, now Pat. No. Des. 809,342.

(51) **LOC (11) Cl.** ..... **31-00**

(52) **U.S. Cl.**  
USPC ..... **D7/412; D7/376; D7/378; D7/384**

(58) **Field of Classification Search**  
USPC ..... **D7/372, 376-386, 412-413, 602, 629,**  
**D7/665-666, 669, 679, 693-694**  
(Continued)

(56) **References Cited**

**U.S. PATENT DOCUMENTS**

3,392,768 A 7/1968 Anliker  
4,371,118 A \* 2/1983 Sontheimer ..... A47J 43/046  
241/282.2

(Continued)

**FOREIGN PATENT DOCUMENTS**

FR 2962023 A1 1/2012  
WO 2016191538 A1 12/2016

**OTHER PUBLICATIONS**

Decision of Registration; Japanese Design Application No. 2014-  
029289; dated Jul. 6, 2015; 2 Pages.

(Continued)

*Primary Examiner* — Ricky Pham

(74) *Attorney, Agent, or Firm* — Cantor Colburn LLP

(57) **CLAIM**

The ornamental design for food processor container and top thereof, as shown and described.

**DESCRIPTION**

FIG. 1 is a perspective view of a food processor container, showing our new design in a first embodiment;

FIG. 2 is a front view of the embodiment shown in FIG. 1;

FIG. 3 is a rear view of the embodiment shown in FIG. 1;

FIG. 4 is a side view of the embodiment shown in FIG. 1;

FIG. 5 is another side view of the embodiment shown in FIG. 1;

FIG. 6 is a top view of the embodiment shown in FIG. 1;

FIG. 7 is a bottom view of the embodiment shown in FIG. 1;

FIG. 8 is a perspective view of a food processor top, showing our new design in another embodiment;

FIG. 9 is a front view of the embodiment shown in FIG. 8;

FIG. 10 is a rear view of the embodiment shown in FIG. 8;

FIG. 11 is a side view of the embodiment shown in FIG. 8;

FIG. 12 is another side view of the embodiment shown in FIG. 8;

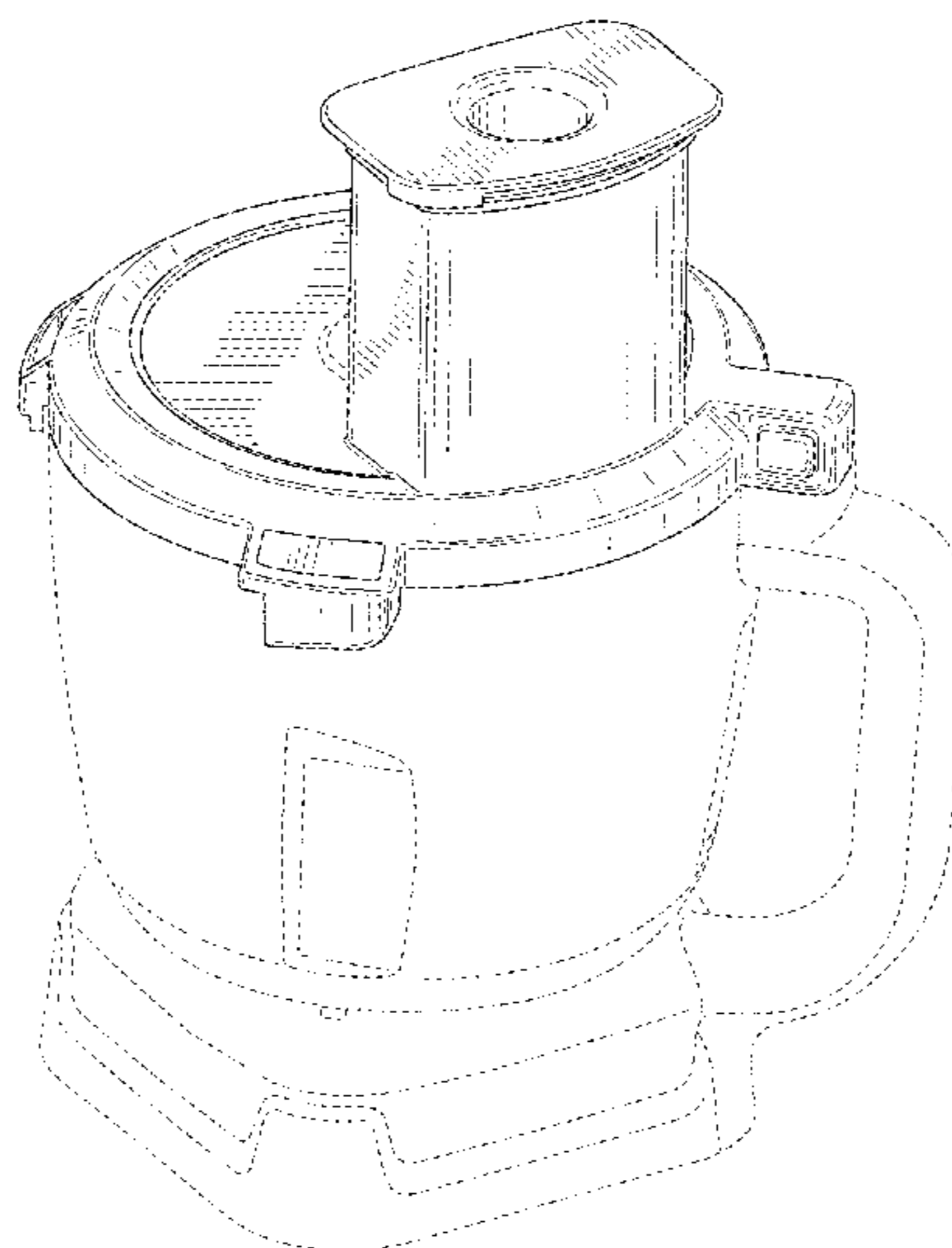
FIG. 13 is a top view of the embodiment shown in FIG. 8;

and,

FIG. 14 is a bottom view of the embodiment shown in FIG. 8.

The broken lines in the figures are for environmental purposes only and form no part of the claimed design.

**1 Claim, 14 Drawing Sheets**



(58) **Field of Classification Search**

CPC .... A21C 1/02; A21C 1/04; A23N 1/00; A23N  
1/02; A47J 43/04; A47J 43/25; A47J  
43/27; A47J 43/042; A47J 43/044; A47J  
43/046; A47J 43/075; A47J 43/0722;  
A47J 43/0727; B01F 3/00; B01F 3/0807;  
B01F 3/0853; B01F 13/0059; B01F  
13/0064; B02C 1/08; B02C 2/04; B02C  
4/42; B02C 4/142; B02C 4/143; B02C  
4/423; B02C 13/1835; B28C 5/10; B28C  
5/12; B28C 5/14; B28C 5/16

See application file for complete search history.

(56) **References Cited**

U.S. PATENT DOCUMENTS

4,644,838	A	2/1987	Samson et al.	
5,839,826	A	11/1998	Eubanks	
D424,371	S	5/2000	Delmonte	
D437,730	S	2/2001	Littmann	
D445,644	S	7/2001	Littmann	
D480,915	S	10/2003	Kolar et al.	
6,669,124	B2*	12/2003	Lazzer .....	A47J 43/0777 241/36
D488,344	S	* 4/2004	Seum .....	D7/384
D502,047	S	* 2/2005	Ledingham .....	D7/384
D502,842	S	* 3/2005	Hallar .....	D7/384
D528,363	S	9/2006	Ulanski et al.	
D538,595	S	3/2007	White et al.	
D552,412	S	10/2007	Steiner	
D552,419	S	10/2007	Picozza et al.	
D577,537	S	9/2008	Lee	
D578,340	S	10/2008	Picozza et al.	
D587,064	S	* 2/2009	Mark .....	D7/384
D605,462	S	12/2009	Picozza et al.	
7,686,240	B2*	3/2010	Pryor, Jr. ....	A47J 43/0716 241/282.1
D617,136	S	6/2010	Bock et al.	
D617,145	S	6/2010	Picozza et al.	
7,753,223	B2	7/2010	Boozer et al.	
D621,656	S	8/2010	Ulanski et al.	
D625,141	S	10/2010	Moore	
D625,143	S	* 10/2010	Moore .....	D7/376
D637,870	S	5/2011	Bock	
D638,256	S	5/2011	Wu	
D642,858	S	8/2011	Lazzer	
D642,860	S	* 8/2011	Tse .....	D7/376
D644,480	S	9/2011	Czach et al.	
D645,301	S	9/2011	Tse	
D647,357	S	10/2011	Audette et al.	
D647,367	S	10/2011	Audette et al.	
D647,368	S	10/2011	Audette et al.	
D650,229	S	* 12/2011	Hensel .....	D7/376
D661,947	S	6/2012	Conti et al.	
D662,359	S	6/2012	Boozer et al.	
D668,100	S	10/2012	Palermo et al.	
D677,976	S	3/2013	Palermo et al.	
D678,726	S	3/2013	Palermo et al.	
8,403,556	B2	3/2013	Wu	
D679,543	S	4/2013	Repac	
D683,180	S	* 5/2013	Carlson .....	D7/376
D684,818	S	6/2013	Lee	
D690,152	S	9/2013	Palermo et al.	
D694,573	S	12/2013	Norland et al.	
D694,582	S	12/2013	Norland	
D702,999	S	4/2014	Audette et al.	
D704,502	S	5/2014	Coakley et al.	
D705,606	S	5/2014	Coakley et al.	
D711,682	S	8/2014	Norland et al.	
D711,688	S	8/2014	Prats	
8,834,015	B2	9/2014	White et al.	
D715,602	S	10/2014	Schillheim	
D730,682	S	6/2015	Tu	
D730,683	S	6/2015	Tu	
D733,488	S	7/2015	Tu	

D734,979	S	* 7/2015	Sanguinetti .....	D7/376
D742,172	S	11/2015	Dickson, Jr. et al.	
D746,630	S	1/2016	Ji	
9,265,381	B2	2/2016	Beber et al.	
D755,003	S	5/2016	Palermo et al.	
9,420,915	B2	8/2016	Dickson, Jr. et al.	
D765,465	S	9/2016	Du	
D769,061	S	10/2016	Diderotto	
D771,999	S	11/2016	Kettavong et al.	
D773,247	S	12/2016	Barquin et al.	
D778,665	S	2/2017	Barquin et al.	
D779,265	S	2/2017	Barquin et al.	
D780,507	S	3/2017	Barquin et al.	
D783,340	S	4/2017	Palermo et al.	
D783,354	S	4/2017	Smith	
D784,069	S	4/2017	Blaise	
D784,761	S	4/2017	Tu	
D785,403	S	5/2017	Smith	
D786,614	S	5/2017	Smith et al.	
D786,615	S	5/2017	Tsai	
9,635,981	B2	5/2017	Barnard et al.	
D788,520	S	6/2017	Blaise	
D789,735	S	6/2017	Palermo et al.	
D793,153	S	8/2017	Tu	
D795,005	S	8/2017	Coakley et al.	
D797,496	S	9/2017	Gee, II et al.	
9,848,738	B2	12/2017	Audette et al.	
D807,118	S	1/2018	Kettavong et al.	
D807,700	S	1/2018	Tu	
D808,718	S	* 1/2018	Coakley .....	D7/413
D808,719	S	1/2018	Coakley	
9,855,535	B2	1/2018	Arnett et al.	
D809,342	S	* 2/2018	Coakley .....	D7/413
D811,166	S	2/2018	Smith	
D811,167	S	2/2018	Smith	
D812,416	S	* 3/2018	Carlson .....	D7/384
D812,963	S	* 3/2018	Smith .....	D7/384
D819,394	S	* 6/2018	Han .....	D7/384
2006/0018189	A1	1/2006	Chang Chien	
2006/0198241	A1	9/2006	Krishnachaitanya et al.	
2006/0201341	A1*	9/2006	Kernan .....	A47J 43/0794 99/492
2007/0144326	A1	6/2007	De Buyer	
2008/0089171	A1	4/2008	Larsen et al.	
2011/0174905	A1*	7/2011	Chan .....	A47J 43/0716 241/37.5
2011/0265665	A1*	11/2011	Goncalves .....	A47J 43/0722 99/538
2012/0024993	A1	2/2012	Audette et al.	
2012/0026827	A1	2/2012	Audette	
2012/0027902	A1	2/2012	Audette et al.	
2012/0206995	A1	8/2012	Wu	
2014/0061344	A1*	3/2014	Conti .....	A47J 43/0722 241/100
2014/0165408	A1	6/2014	Schillheim	
2014/0247686	A1	9/2014	Arnett et al.	
2016/0331182	A1	11/2016	Golino	

OTHER PUBLICATIONS

International Search Report; International Application No. PCT/US2016/034287; International Filing Date: May 26, 2016; dated Jul. 18, 2016; 5 Pages.

International Search Report; International Application No. PCT/US2017/016364; International Filing Date: Feb. 3, 2017; dated May 10, 2017; 7 Pages.

Japanese Design Patent No. D1491536 (S); Publication Date: Mar. 3, 2014; 7 Pages.

Notice of Reasons for Rejection; Japanese Design Application No. 2014-029289; dated Mar. 30, 2015; 4 Pages.

Notice of References; Japanese Design Application No. 2014-029289; dated Jul. 6, 2015; 2 Pages.

Notice of References; Japanese Design Application No. 2014-029290; dated May 7, 2015; 2 Pages.

Written Opinion of the International Searching Authority; International Application No. PCT/US2016/034287; International Filing Date: May 26, 2016; dated Jul. 18, 2016; 4 Pages.

(56)

**References Cited**

OTHER PUBLICATIONS

Written Opinion of the International Searching Authority; International Application No. PCT/US2017/016364; International Filing Date: Feb. 3, 2017; dated May 10, 2017; 8 Pages.

\* cited by examiner

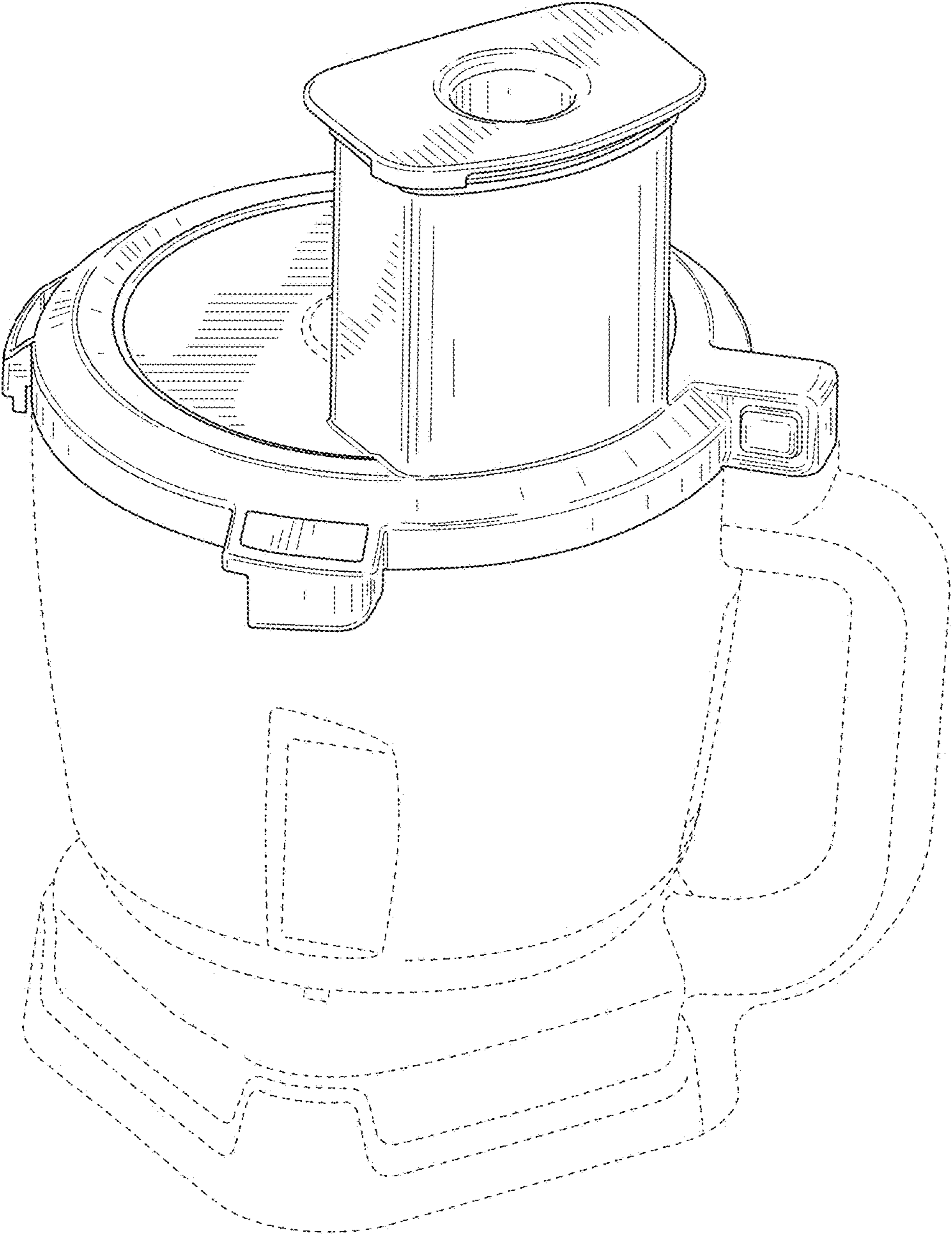


FIG. 1

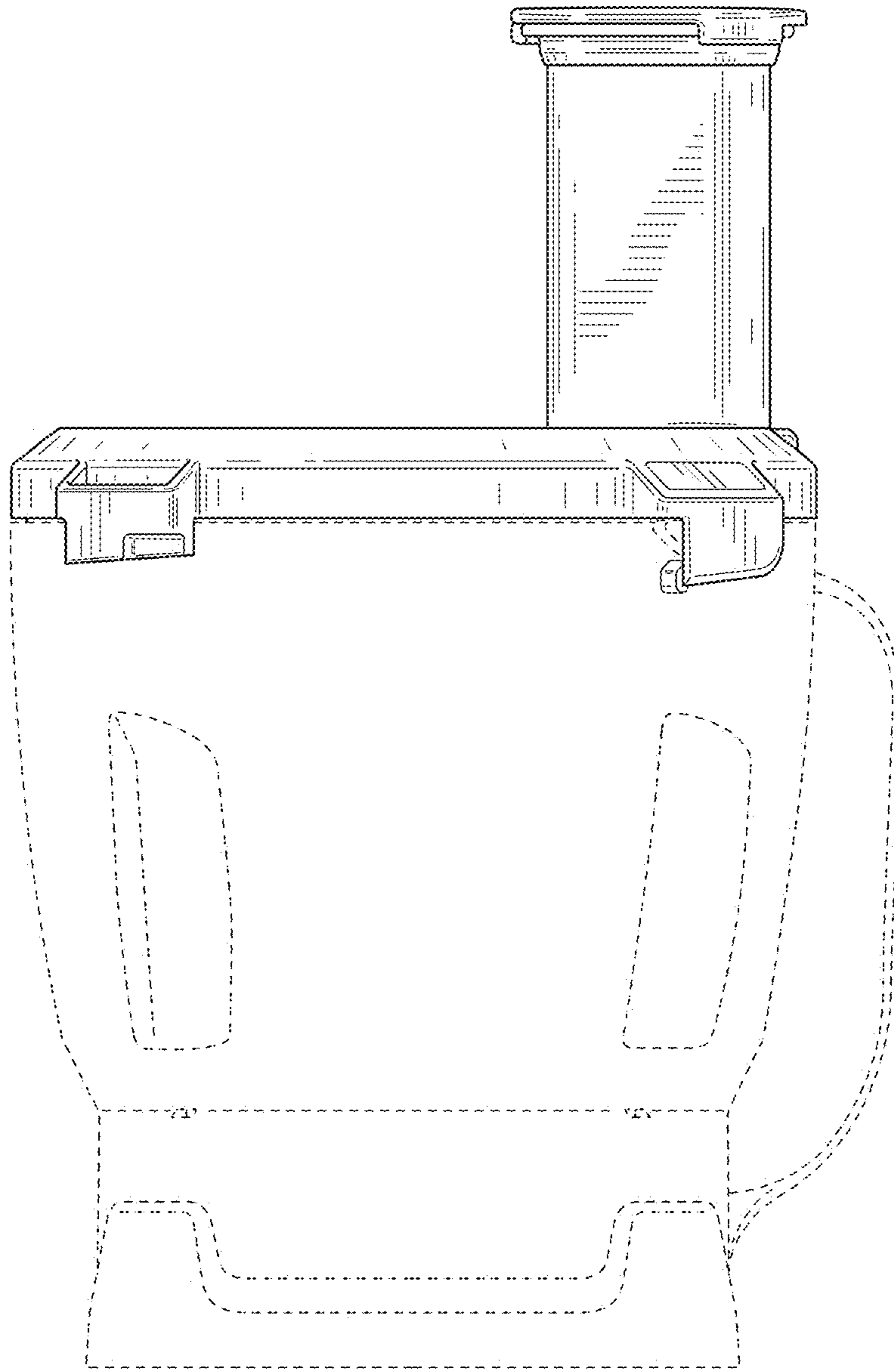


FIG. 2

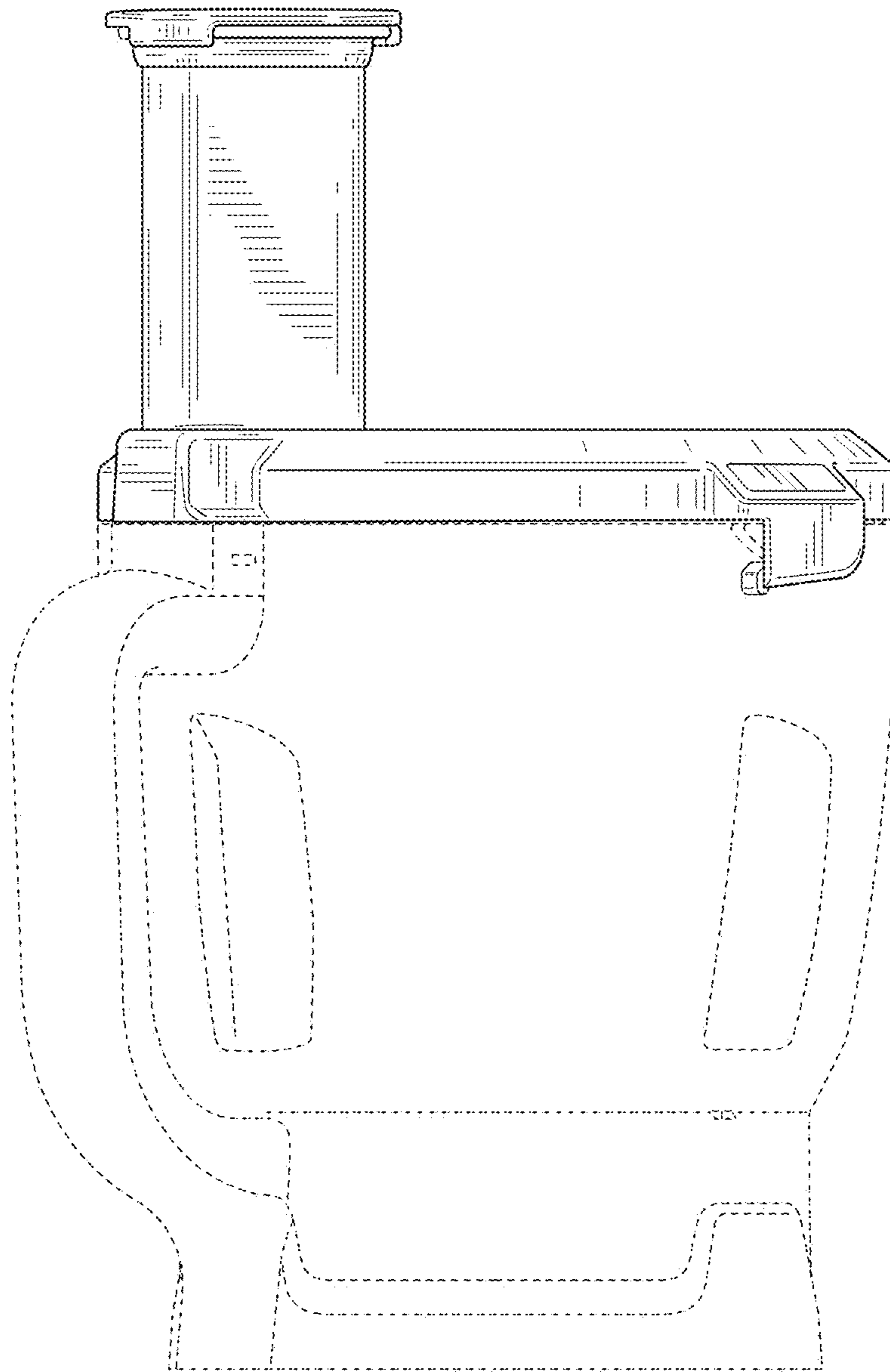


FIG. 3

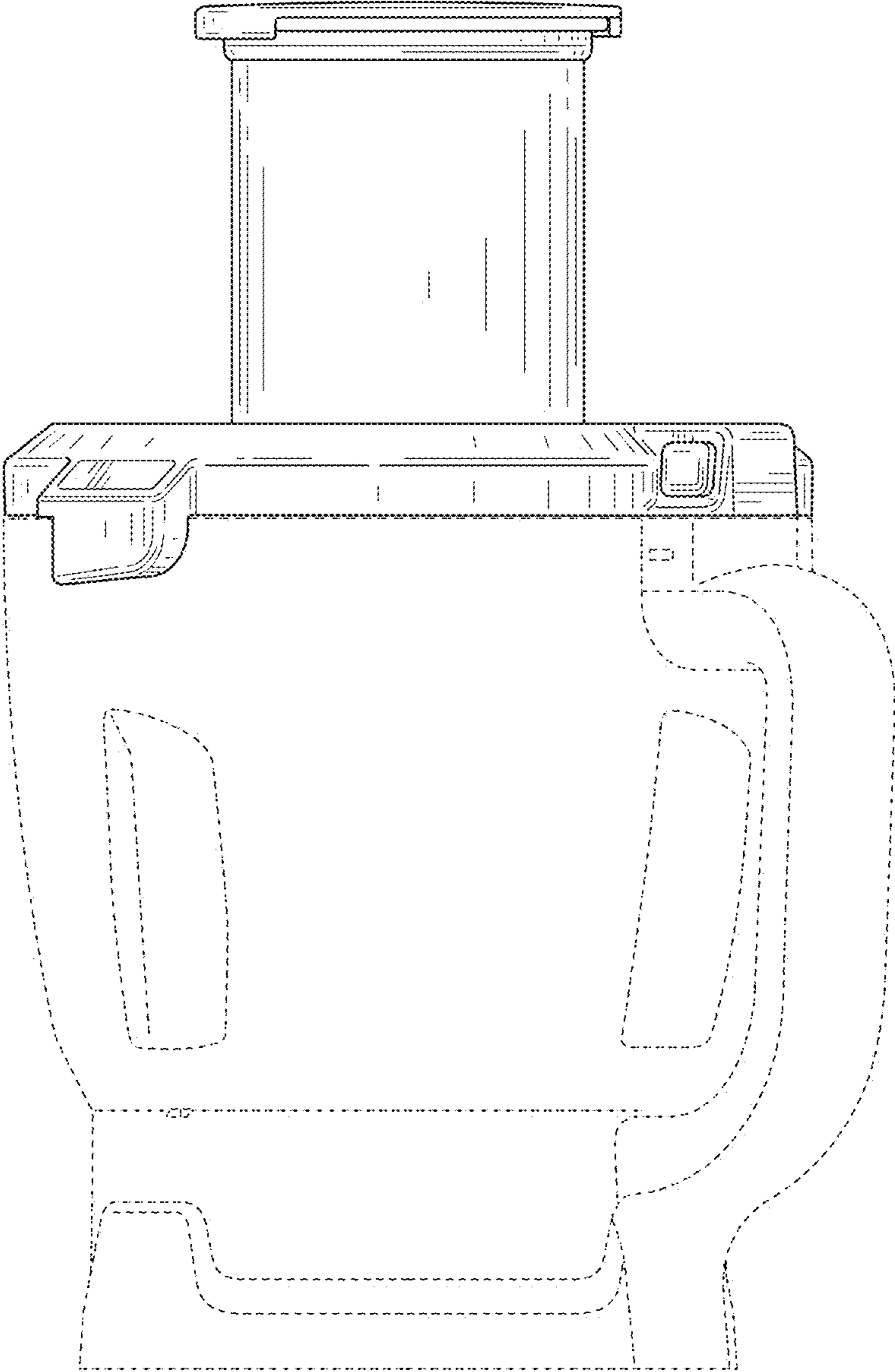


FIG. 4

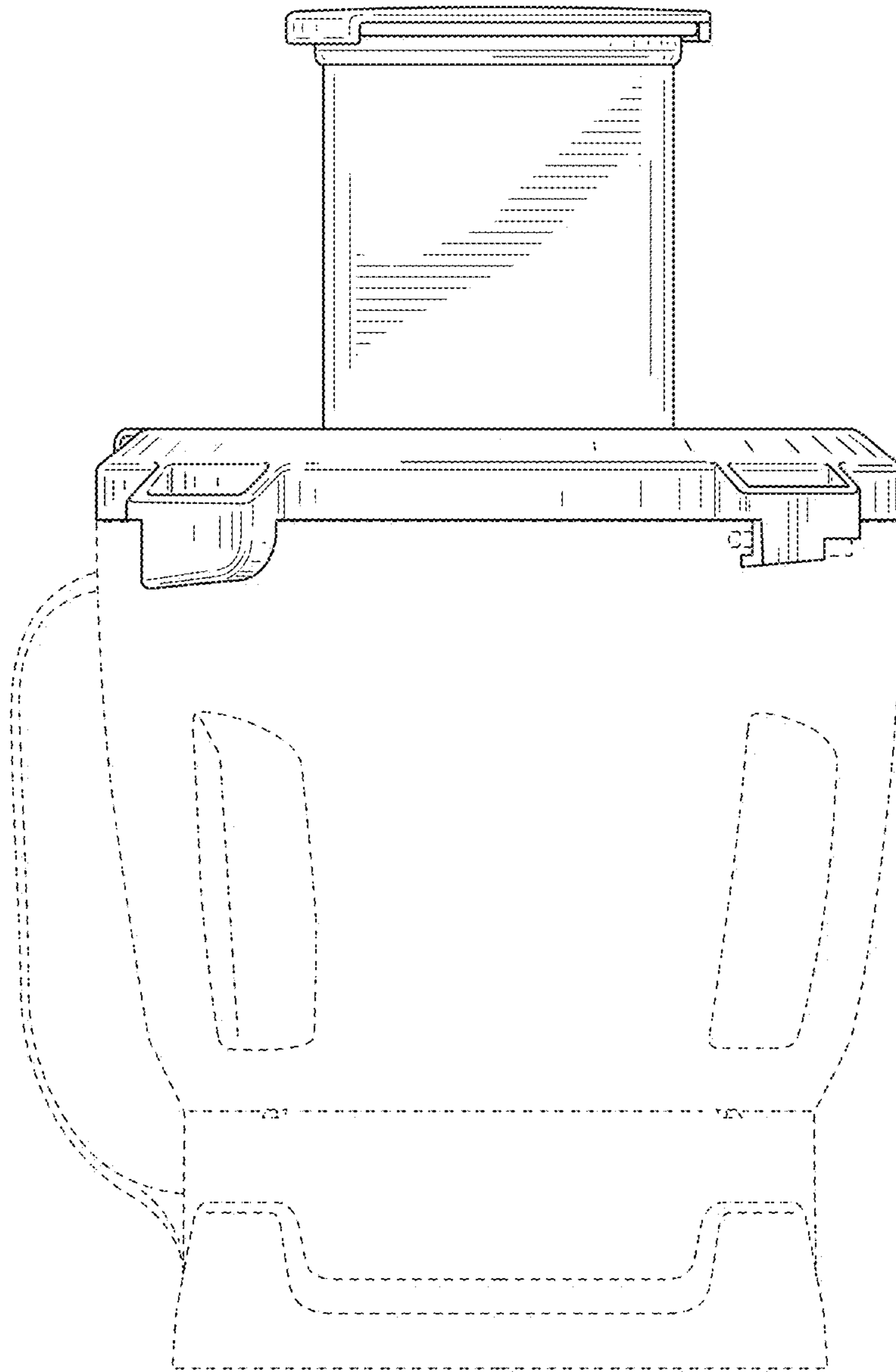


FIG. 5



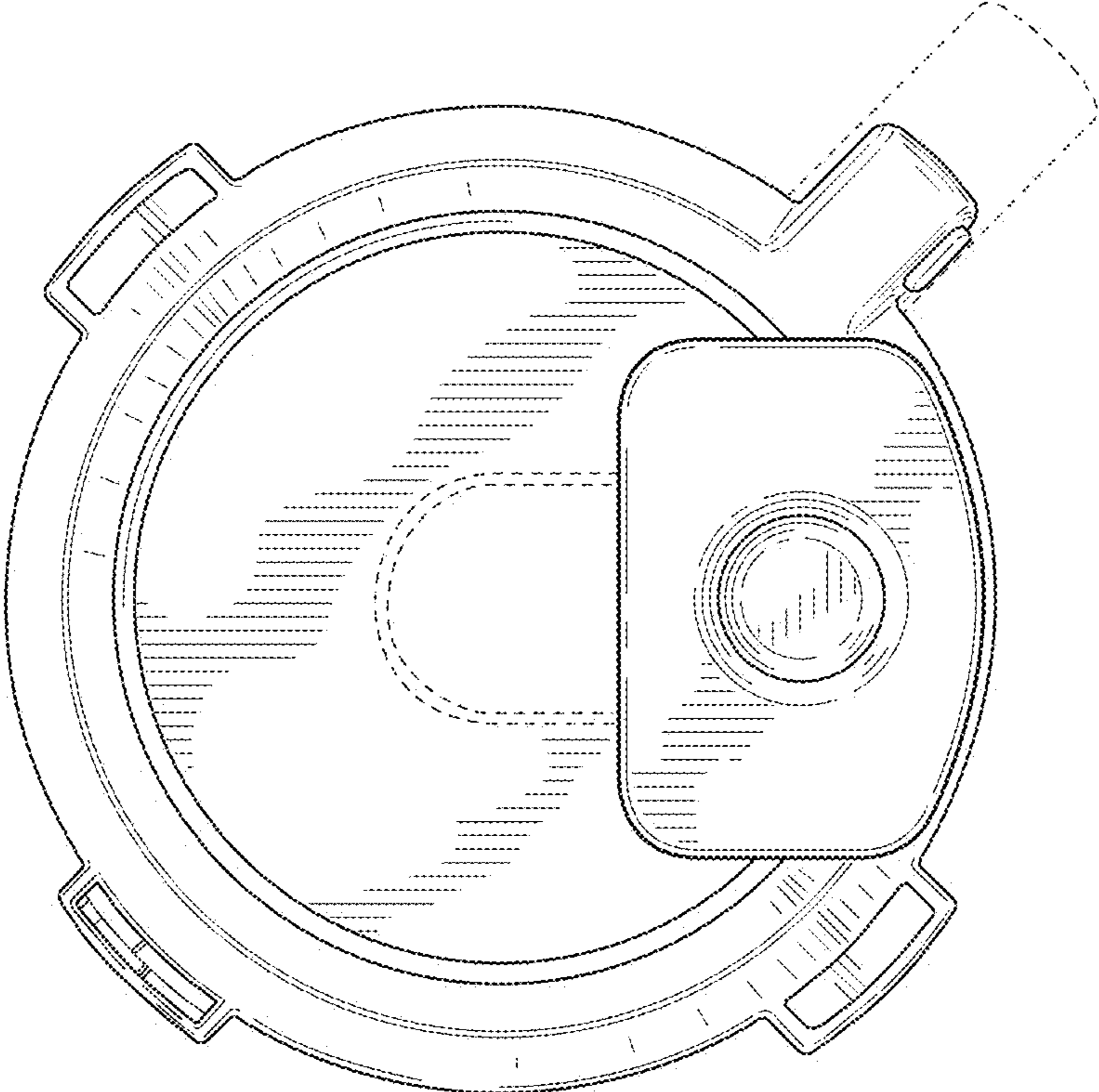


FIG. 6

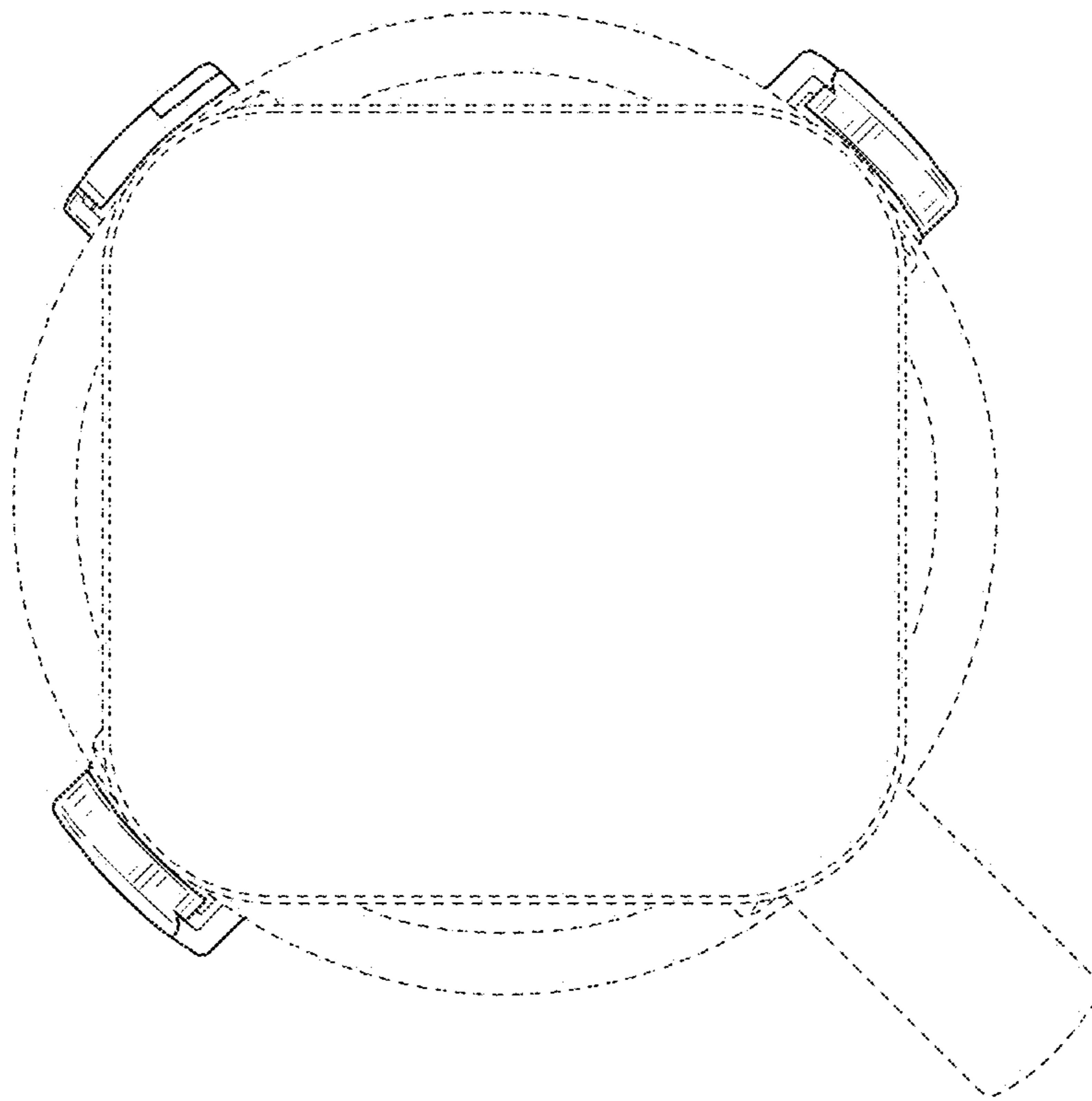


FIG. 7

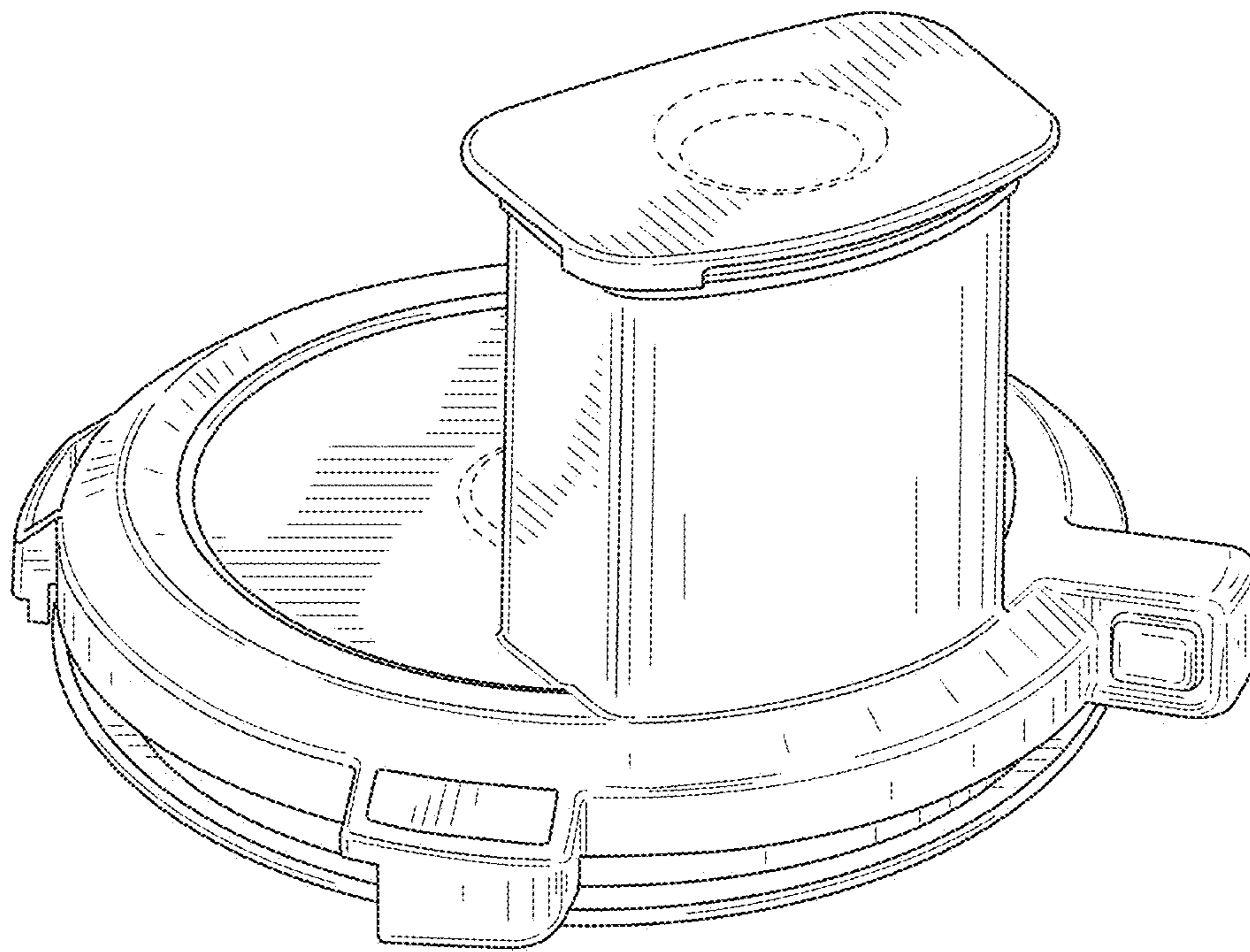


FIG. 8

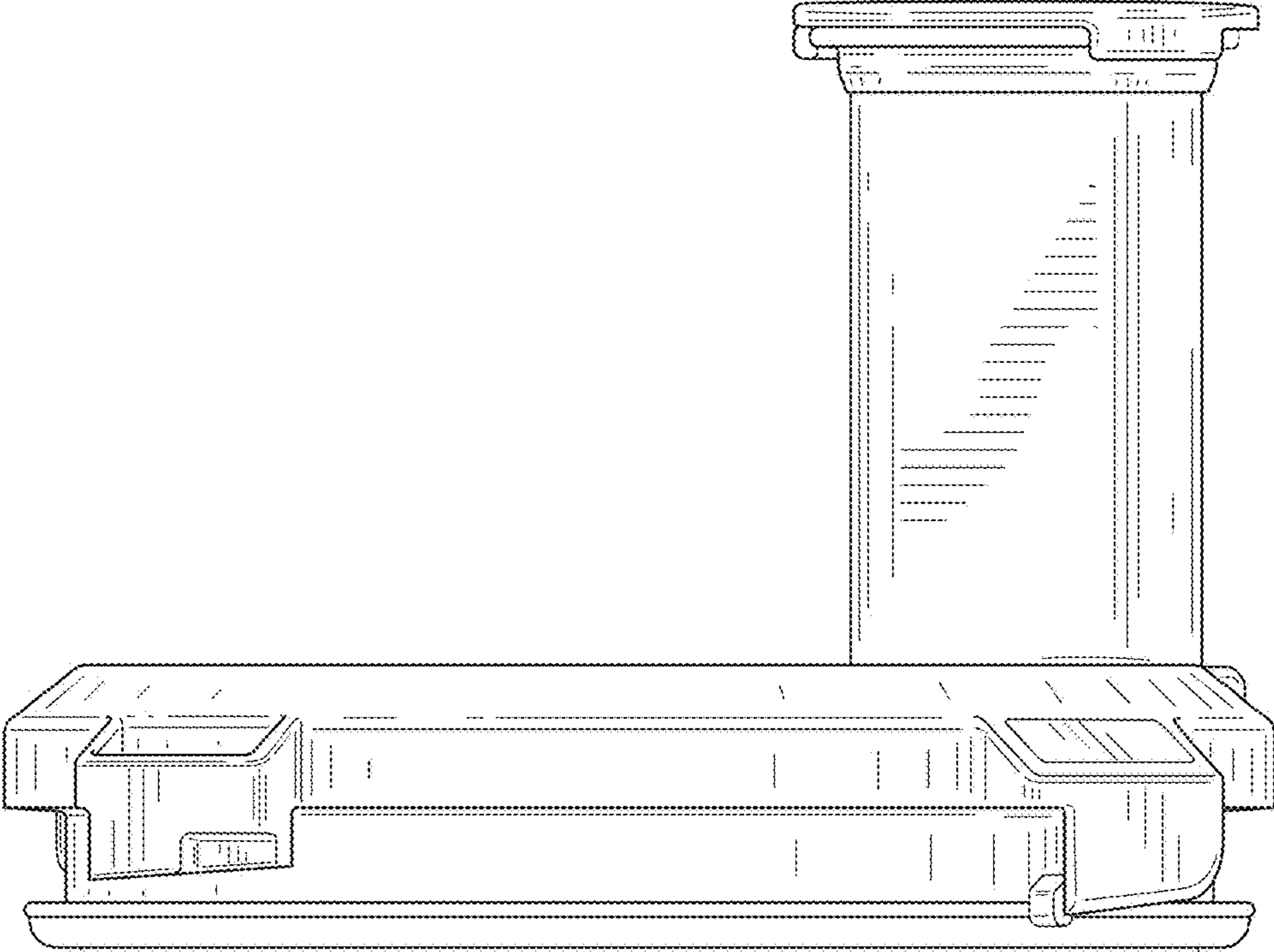


FIG. 9

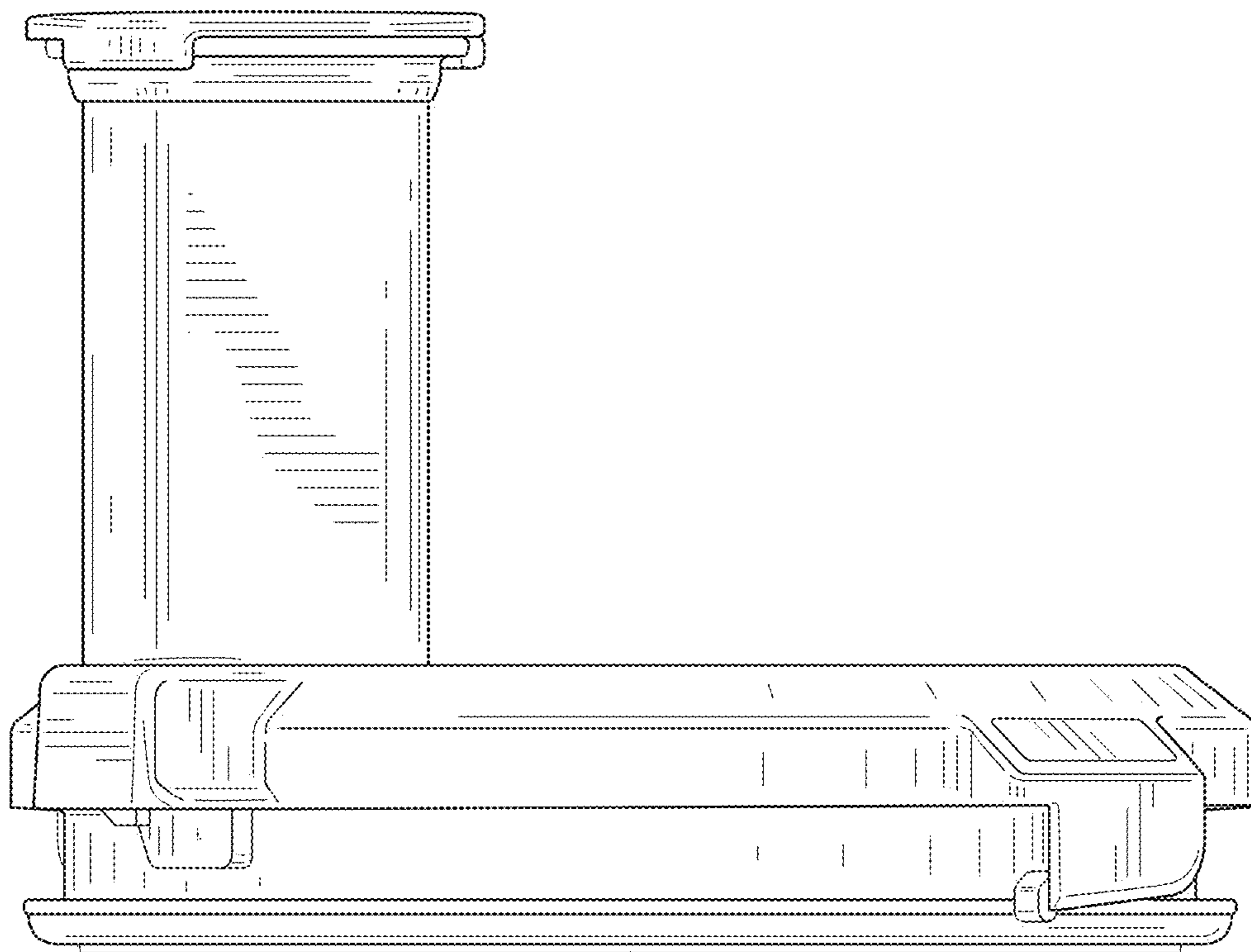


FIG. 10

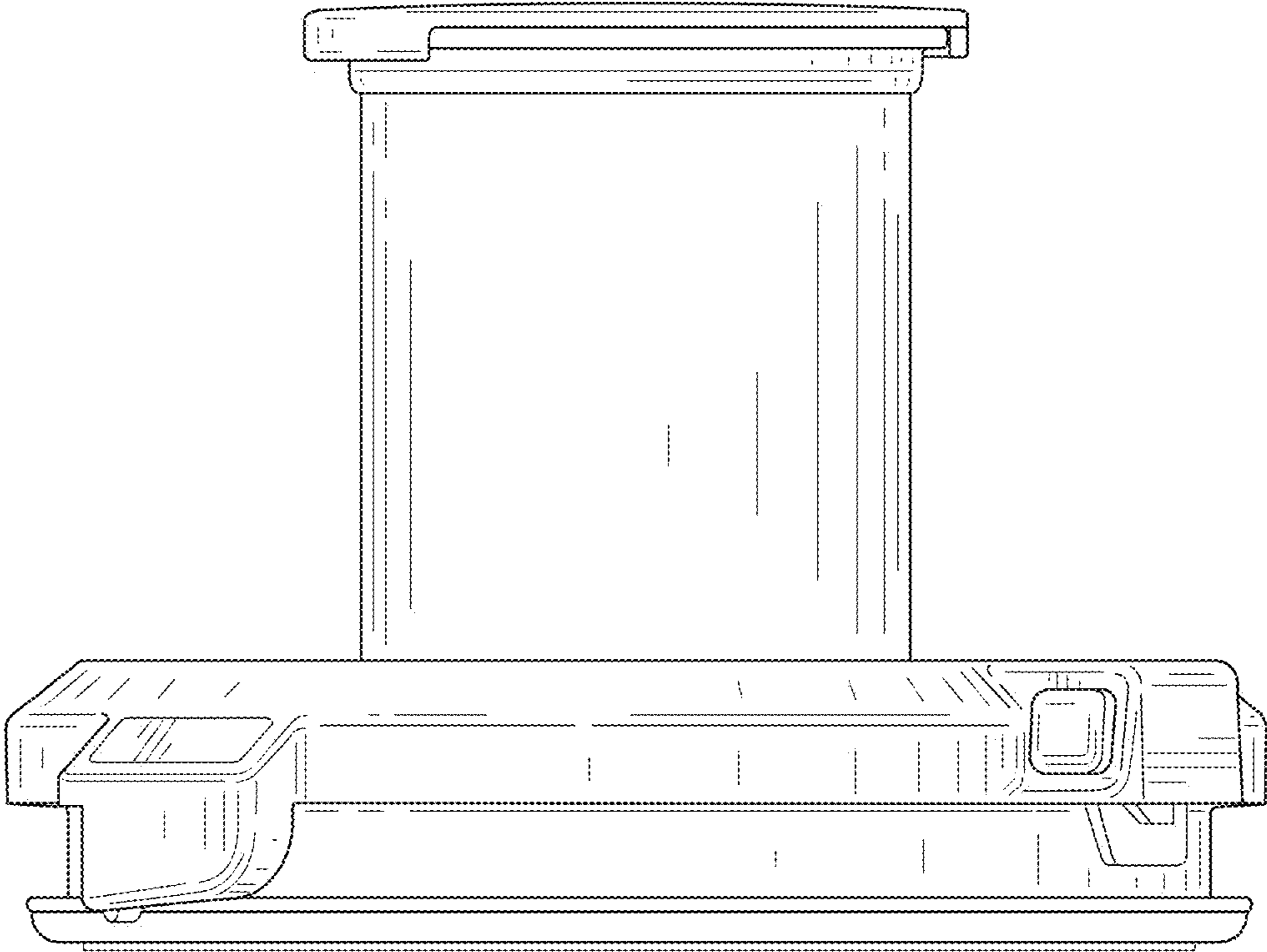


FIG. 11

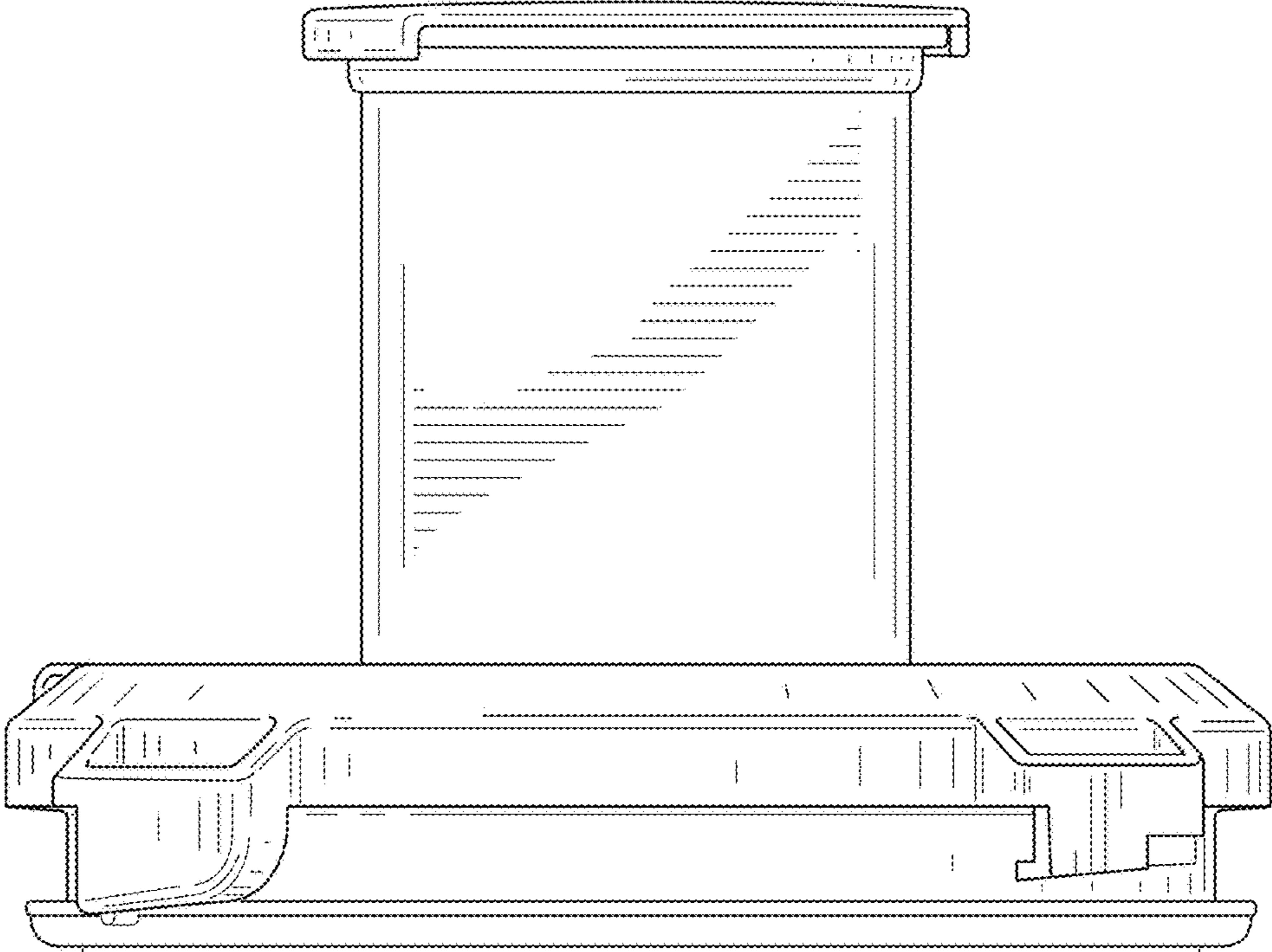


FIG. 12

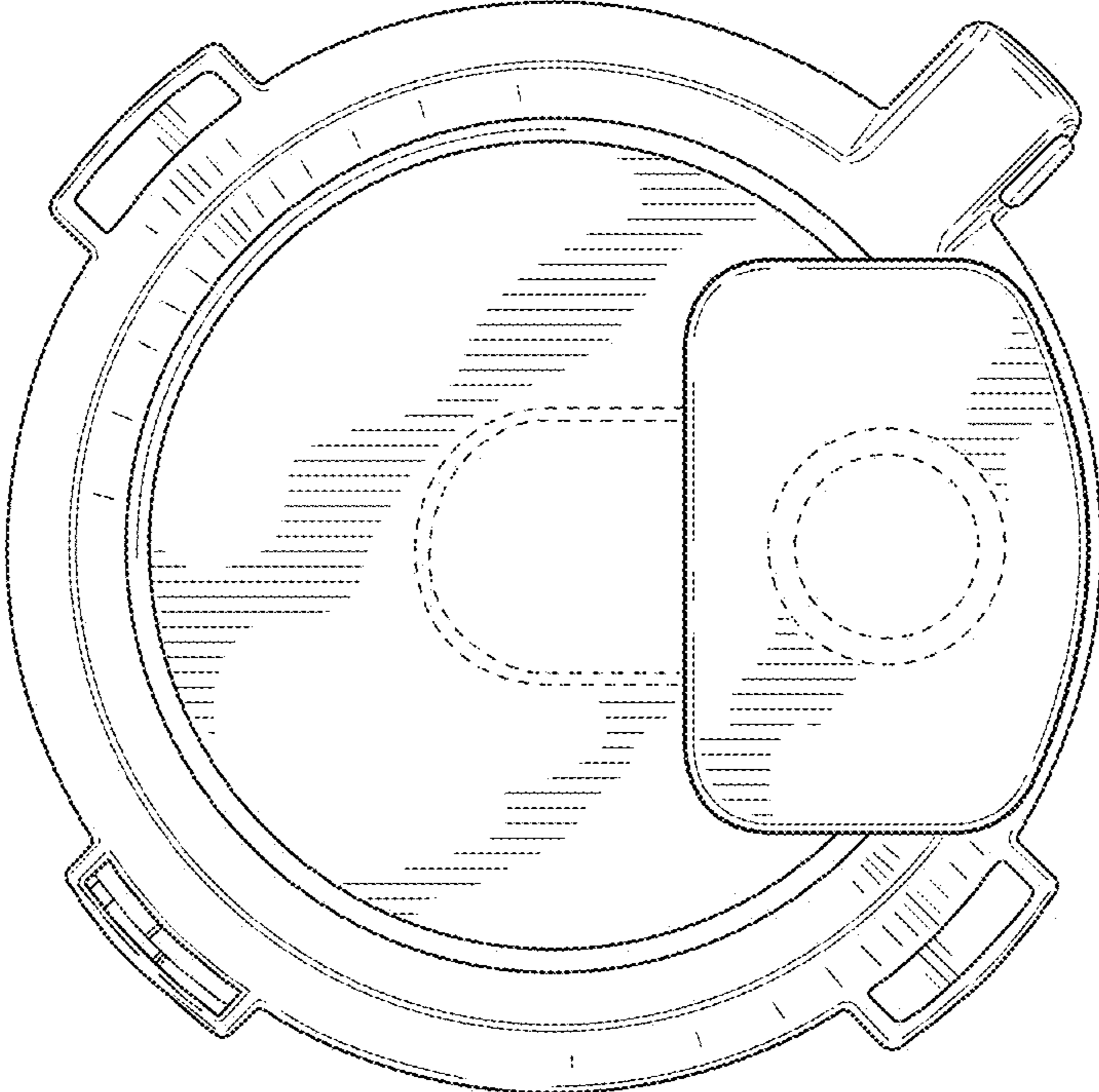


FIG. 13



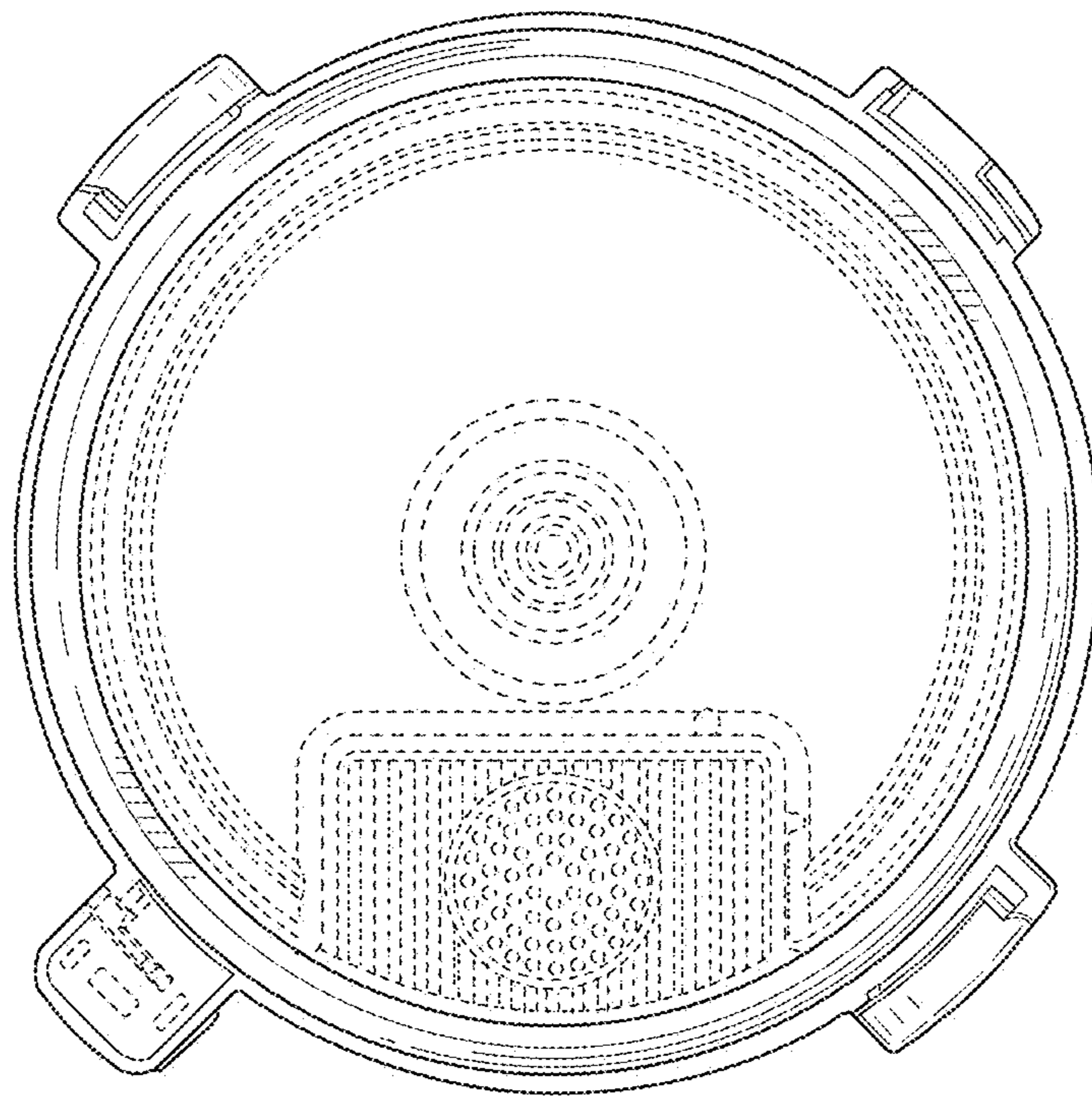


FIG. 14