



US00D833811S

(12) **United States Design Patent**  
**Morelock et al.**

(10) **Patent No.:** **US D833,811 S**

(45) **Date of Patent:** **\*\* Nov. 20, 2018**

(54) **BARBECUE GRILL PORTABLE STAND**

(71) Applicant: **Portable Kitchens, Inc.**, Little Rock, AR (US)

(72) Inventors: **David Morelock**, Escondido, CA (US);  
**Brian Taylor**, Little Rock, AR (US);  
**Jeff Humiston**, Little Rock, AR (US);  
**Scott Moody**, Little Rock, AR (US);  
**Paul James**, Little Rock, AR (US);  
**Martha James**, Little Rock, AR (US)

(73) Assignee: **Portable Kitchens, Inc.**, Little Rock, AR (US)

(\*\*) Term: **15 Years**

(21) Appl. No.: **29/557,389**

(22) Filed: **Mar. 8, 2016**

(51) **LOC (11) Cl.** ..... **07-02**

(52) **U.S. Cl.**  
USPC ..... **D7/403**

(58) **Field of Classification Search**  
USPC ..... D7/402-409, 332-337, 323; D16/244,  
D16/245  
CPC ..... A47J 37/07; A47J 37/0704; A47J 37/0763  
See application file for complete search history.

(56) **References Cited**

U.S. PATENT DOCUMENTS

D271,935 S \* 12/1983 Conner ..... D7/332  
5,803,727 A \* 9/1998 Long ..... F23D 11/443  
126/38

D463,196 S \* 9/2002 Hsu ..... D7/332  
D520,803 S \* 5/2006 Lu ..... D7/335  
D520,804 S \* 5/2006 Lu ..... D7/335  
D524,592 S \* 7/2006 Brunner ..... D7/332  
D547,592 S \* 7/2007 Chiang ..... D7/332  
D558,511 S \* 1/2008 Brunner ..... D7/332  
D683,999 S \* 6/2013 Karlsson ..... D7/337  
D686,442 S \* 7/2013 Dobert ..... D7/332

\* cited by examiner

*Primary Examiner* — Sheryl Lane

*Assistant Examiner* — Nicole C Shiflet

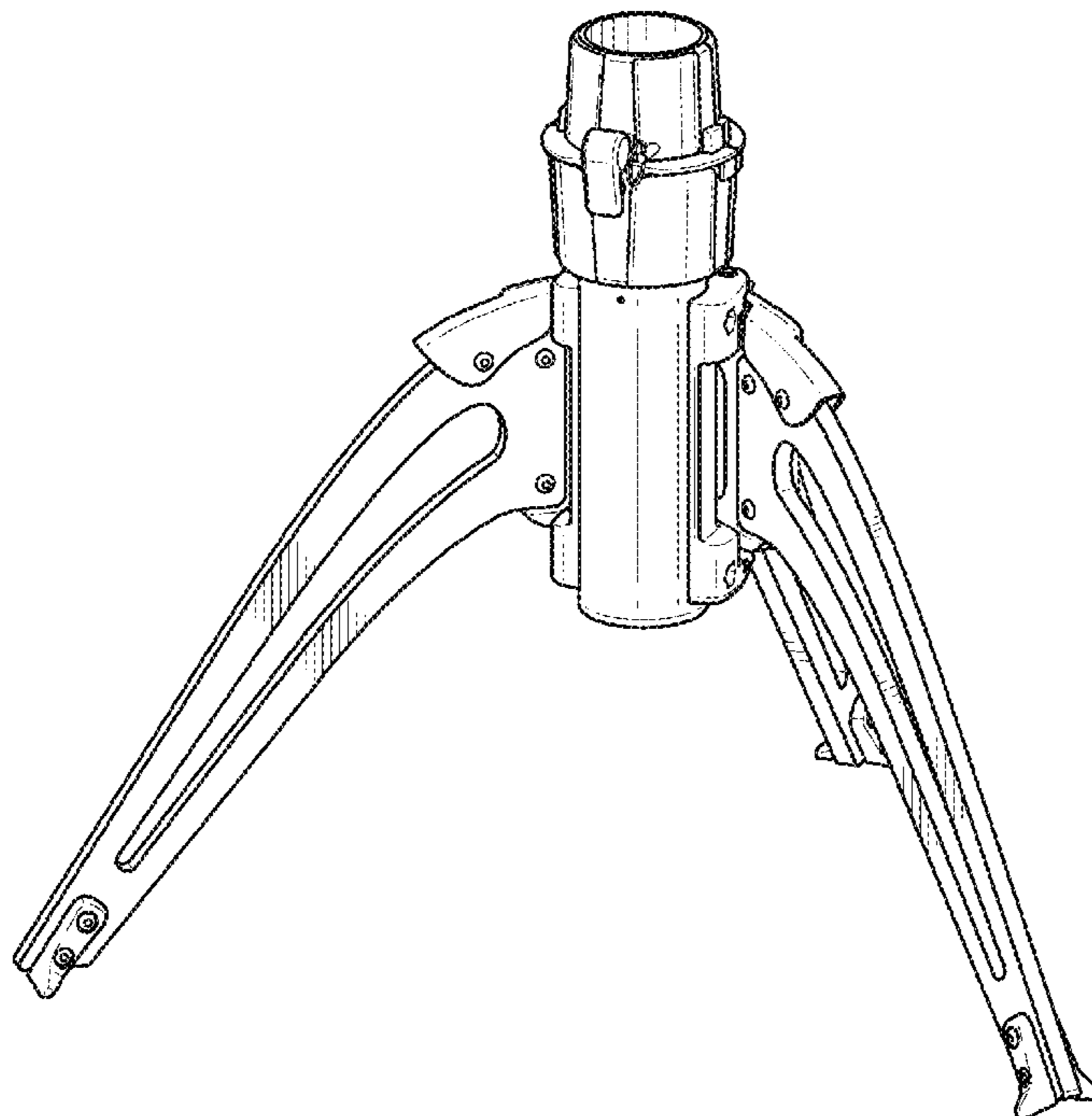
(57) **CLAIM**

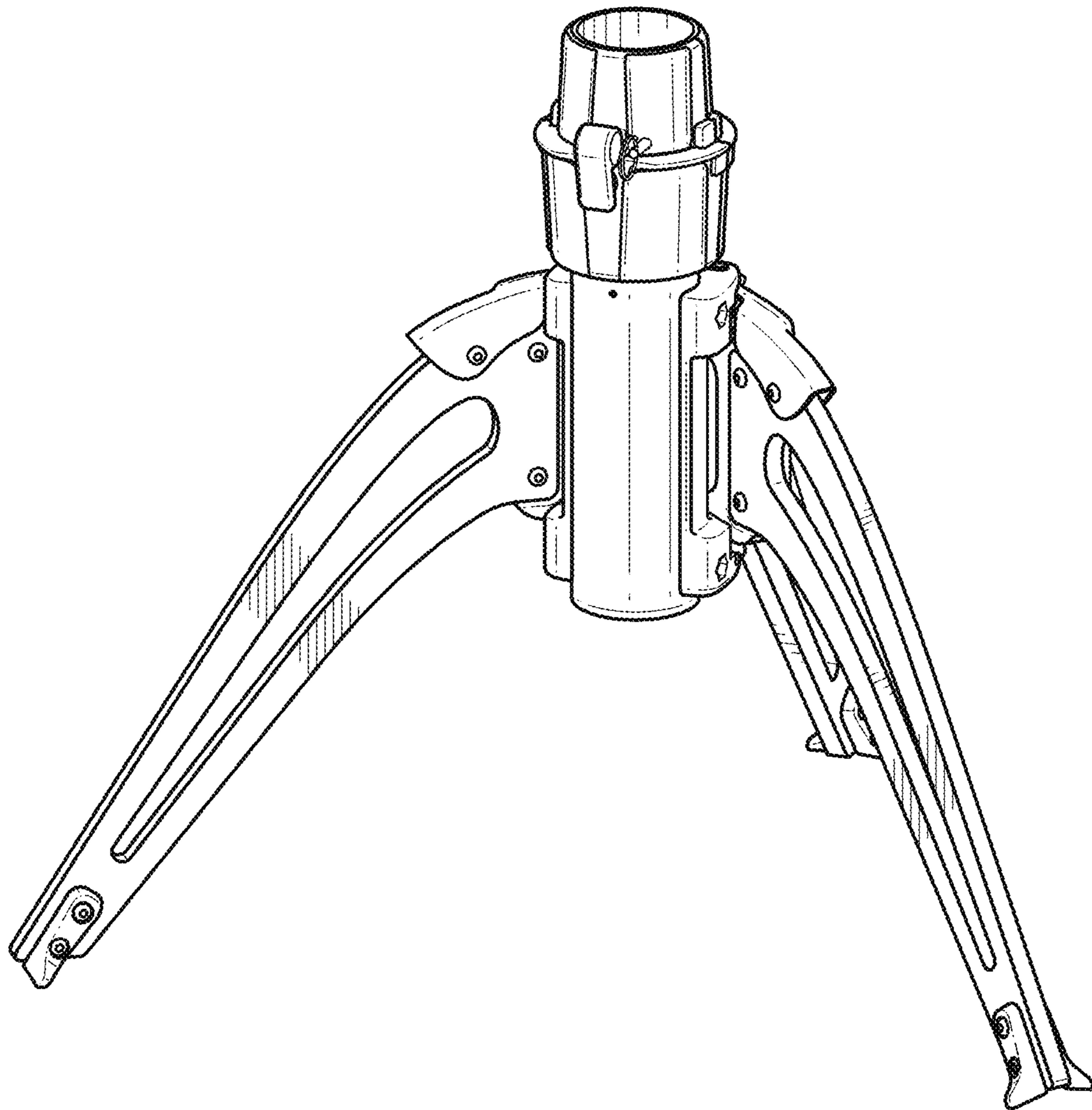
The ornamental design for a barbecue grill portable stand, as shown and described.

**DESCRIPTION**

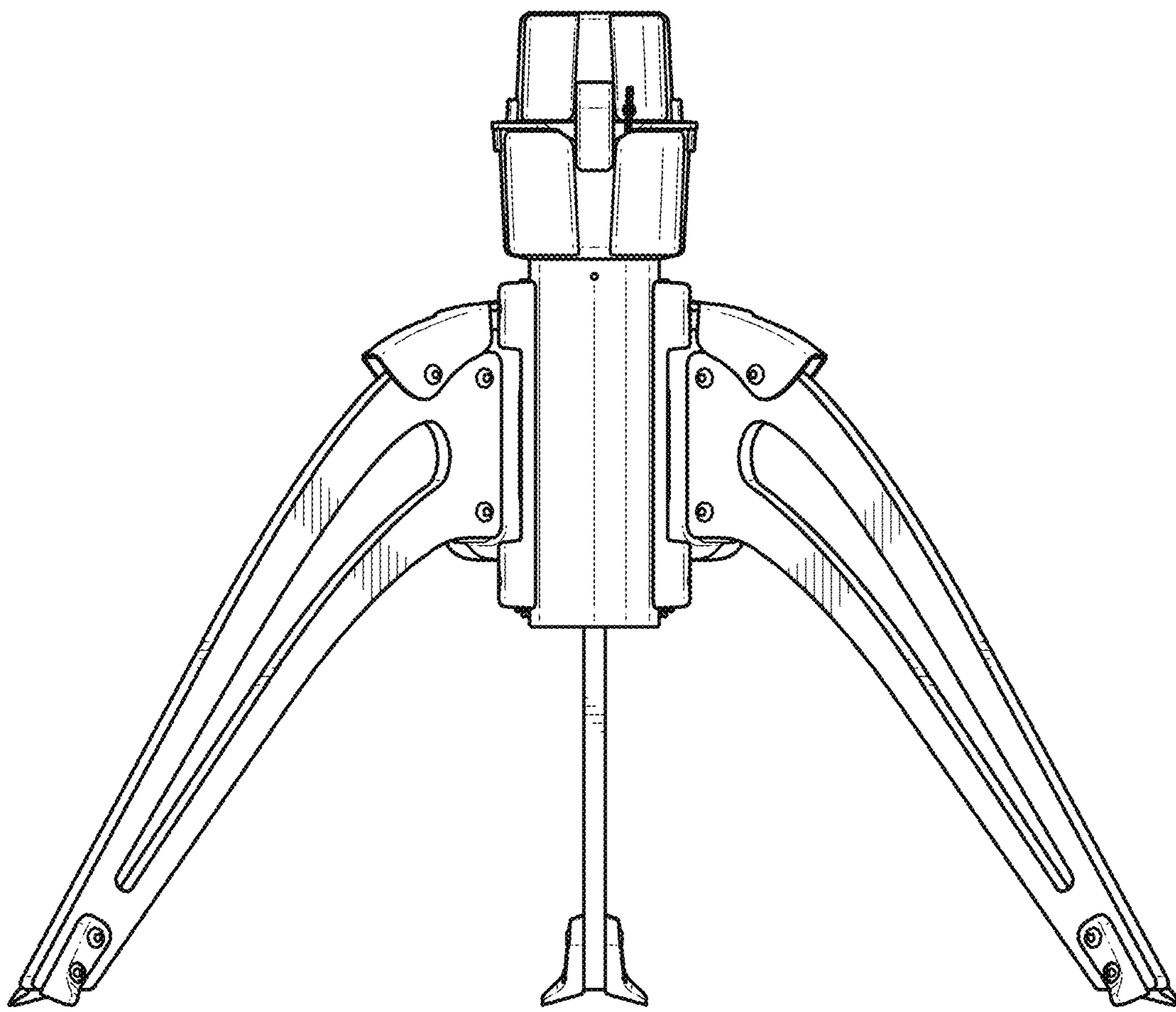
FIG. 1 is a perspective view of the present invention.  
FIG. 2 is a front view of the present invention.  
FIG. 3 is a right side view of the present invention.  
FIG. 4 is a rear view of the present invention.  
FIG. 5 is a left side view of the present invention.  
FIG. 6 is a top view of the present invention.  
FIG. 7 is a bottom view of the present invention; and,  
FIG. 8 is a perspective view of the present invention as in FIG. 1 but shown connected to a barbecue grill.  
The broken lines showing environment form no part of the claimed design.

**1 Claim, 8 Drawing Sheets**

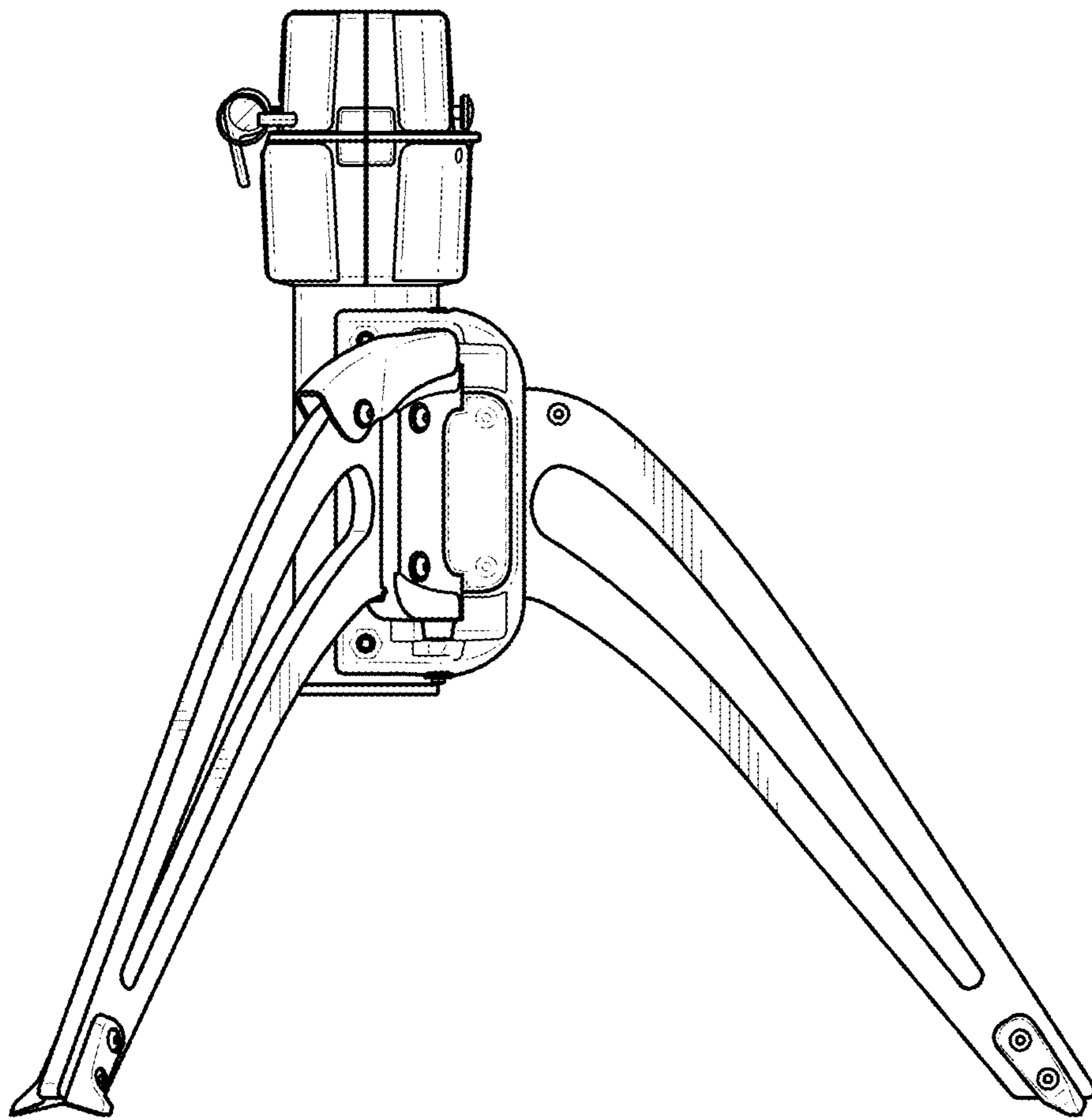




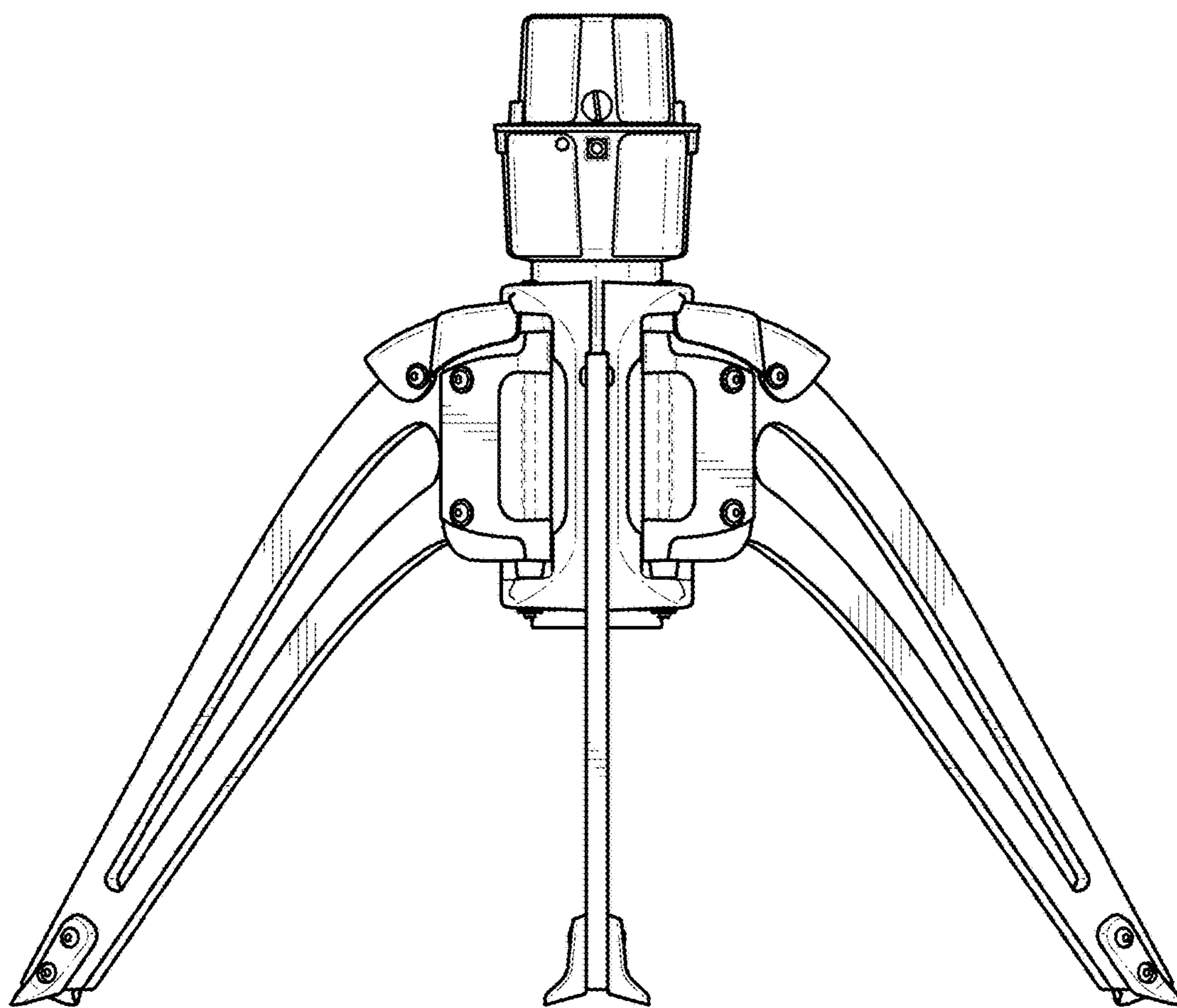
**FIG. 1**



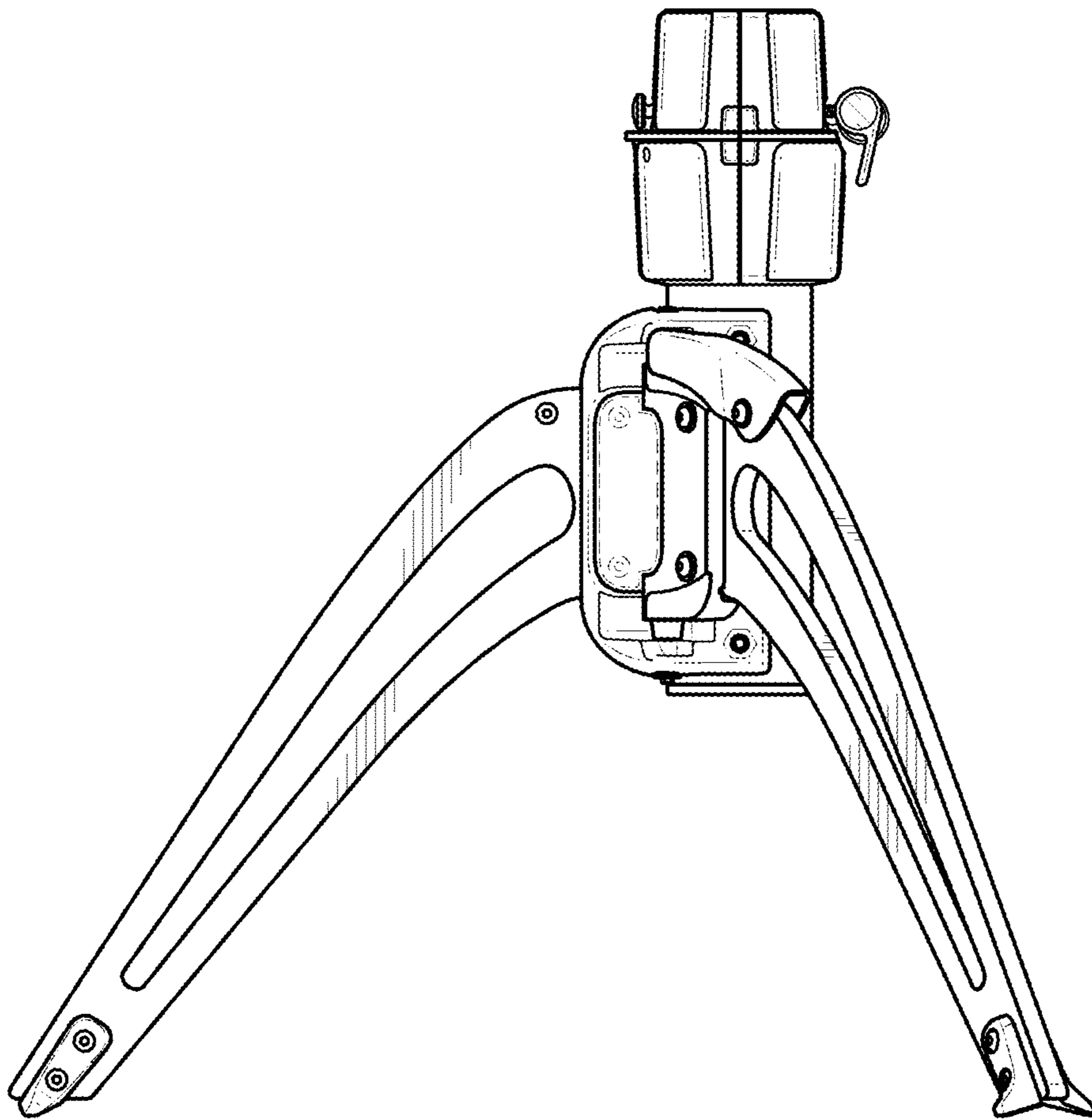
*FIG. 2*



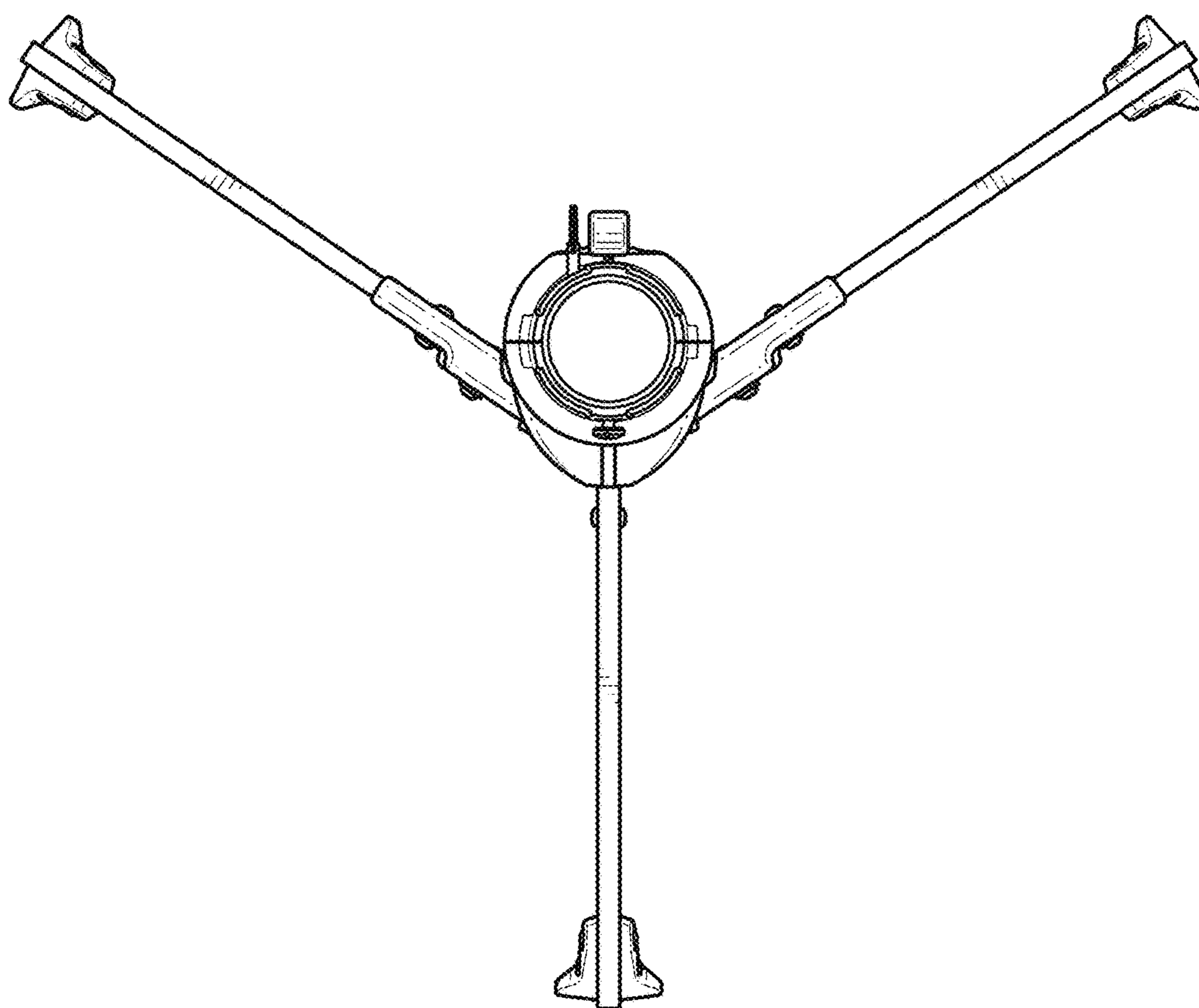
**FIG. 3**



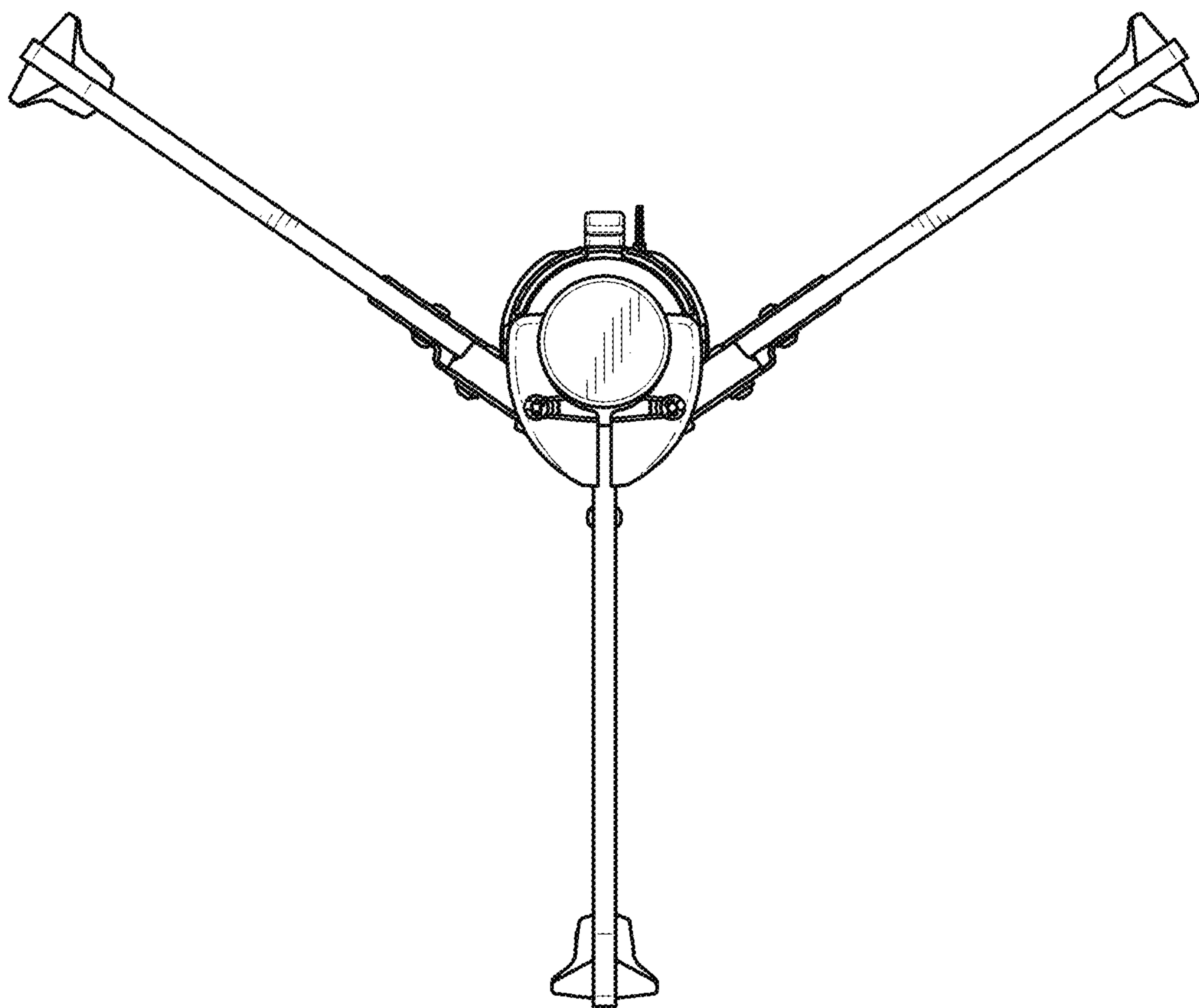
**FIG. 4**



**FIG. 5**

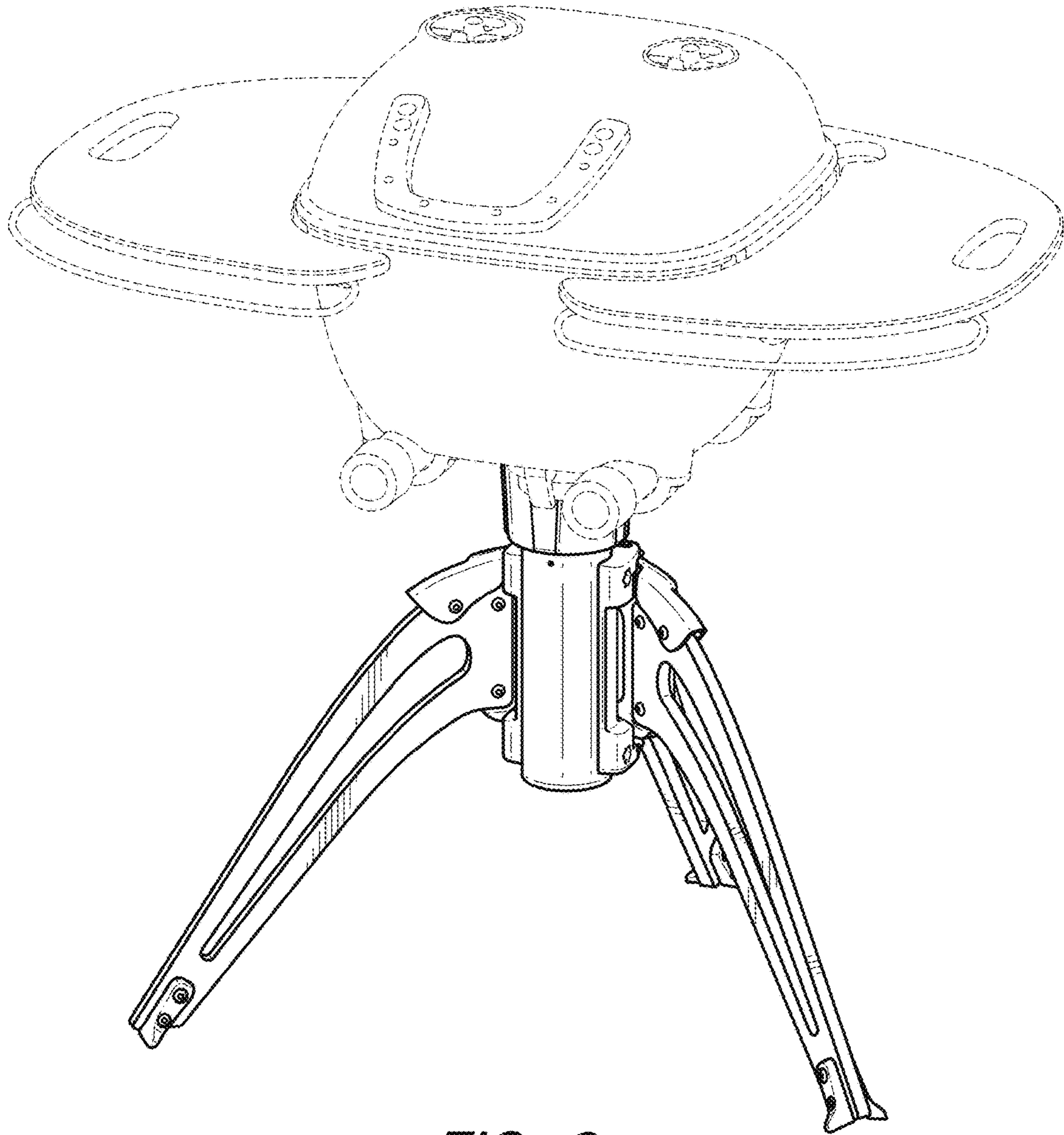


**FIG. 6**



**FIG. 7**





**FIG. 8**