



US00D833810S

(12) **United States Design Patent** (10) **Patent No.:** **US D833,810 S**  
**Florkey et al.** (45) **Date of Patent:** **\*\* Nov. 20, 2018**

(54) **GAS FRYER COOKING CHAMBER**

(71) Applicant: **Henny Penny Corporation**, Eaton, OH (US)

(72) Inventors: **Edward J. Florkey**, Vandalia, OH (US); **Steven Groll**, Connerville, IN (US); **Mark Gogel**, Richmond, IN (US)

(73) Assignee: **Henny Penny Corporation**, Eaton, OH (US)

(\*\*) Term: **15 Years**

(21) Appl. No.: **29/597,205**

(22) Filed: **Mar. 15, 2017**

(51) **LOC (11) Cl.** ..... **07-02**

(52) **U.S. Cl.**  
USPC ..... **D7/402**

(58) **Field of Classification Search**  
USPC ..... D7/387, 402-409, 393, 394, 323, 331, D7/332-337, 339, 340, 346-349, 351, D7/354, 358; D12/500, 501, 502, 204  
CPC ..... F24C 15/36; F24C 15/107; F24C 15/024; F24C 3/08; F24C 3/124; F24C 7/08; F24C 7/081; F24C 7/082; F24C 7/087; A47J 37/042; A47J 37/07; A47J 37/12; A47J 37/129; A47J 37/1295  
See application file for complete search history.

(56) **References Cited**

**U.S. PATENT DOCUMENTS**

3,273,488	A *	9/1966	Anetsberger	.....	A47J 37/1219 126/391.1
D215,383	S *	9/1969	Moore	.....	D7/339
3,938,498	A *	2/1976	Price	.....	A47J 27/004 219/437
D242,947	S *	1/1977	Graham	.....	D7/354
D305,855	S *	2/1990	Mandat	.....	D7/323
D428,563	S *	7/2000	Russett	.....	D7/350.4

D462,567	S *	9/2002	Smith	.....	D7/354
2009/0013877	A1 *	1/2009	Lackman	.....	A47J 37/1285 99/403
2014/0020568	A1 *	1/2014	Huang	.....	F28F 1/025 99/403

\* cited by examiner

*Primary Examiner* — Sheryl Lane

*Assistant Examiner* — Nicole C Shiflet

(74) *Attorney, Agent, or Firm* — Wood Herron & Evans LLP

(57) **CLAIM**

The ornamental design for a gas fryer cooking chamber, as shown and described.

**DESCRIPTION**

FIG. 1 is a front (isometric) perspective view of a gas fryer cooking chamber according to the present invention, showing the environment (the remainder of the gas fryer) in dash lines.

FIG. 2 is a front top perspective view of the cooking chamber of FIG. 1 shown removed from the gas fryer environment.

FIG. 3 is a rear top perspective view of the cooking chamber of FIG. 2.

FIG. 4 is a top view of the cooking chamber of FIG. 2.

FIG. 5 is a front view of the cooking chamber of FIG. 2.

FIG. 6 is a rear view of the cooking chamber of FIG. 2.

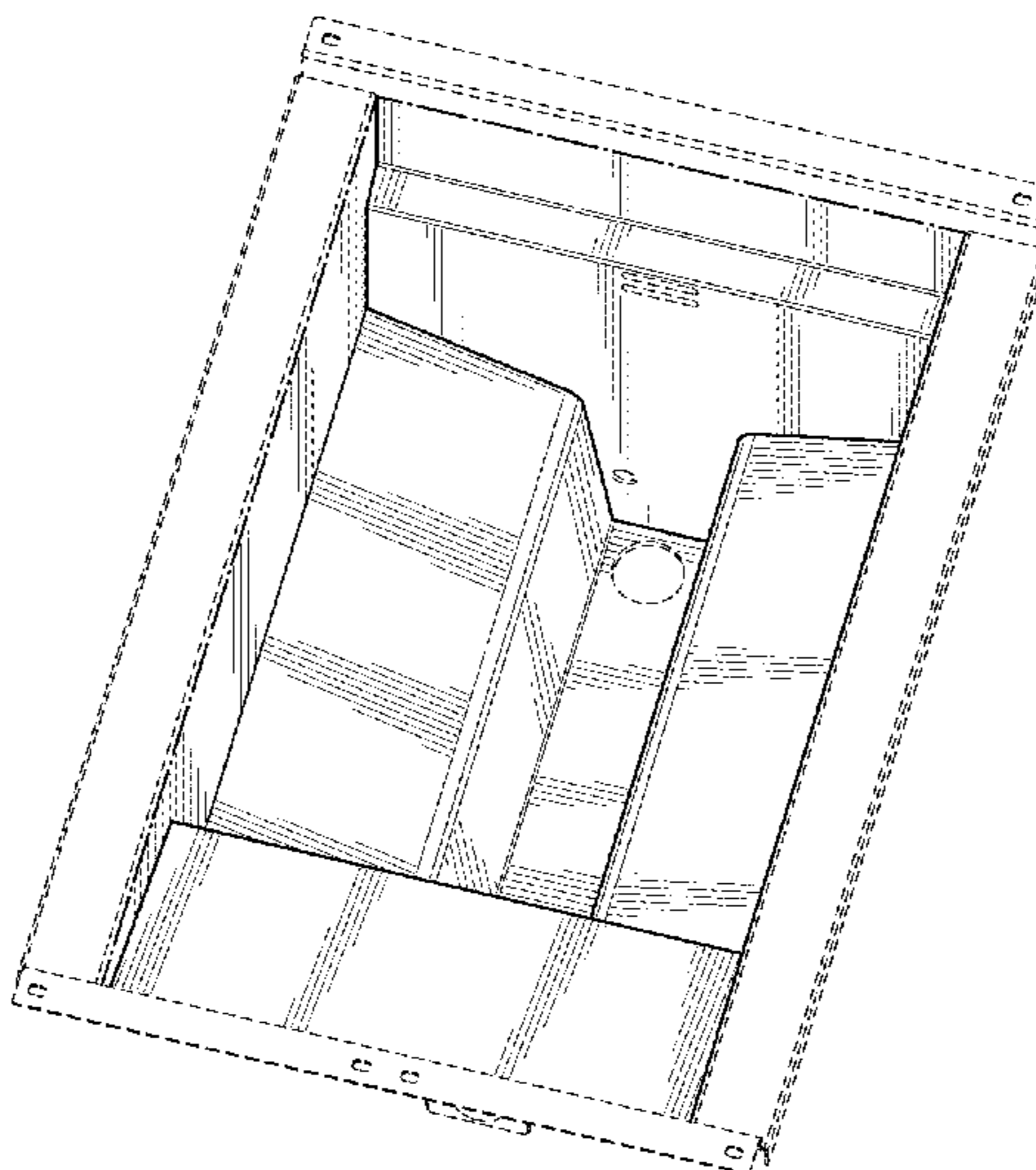
FIG. 7 is a left side view of the cooking chamber of FIG. 2, the right side being a mirror image thereof.

FIG. 8 is a cross-sectional view of the cooking chamber of FIG. 2, taken along line 8-8 of FIG. 4; and,

FIG. 9 is a cross-sectional view of the cooking chamber of FIG. 2, taken along line 9-9 of FIG. 4.

Any elements shown in broken lines form no part of the claimed invention. The broken lines are shown for environmental purpose only and form no part of the claimed design. The dash-dot broken lines adjacent to the shaded or sectional portions form an unclaimed boundary of the design.

**1 Claim, 9 Drawing Sheets**



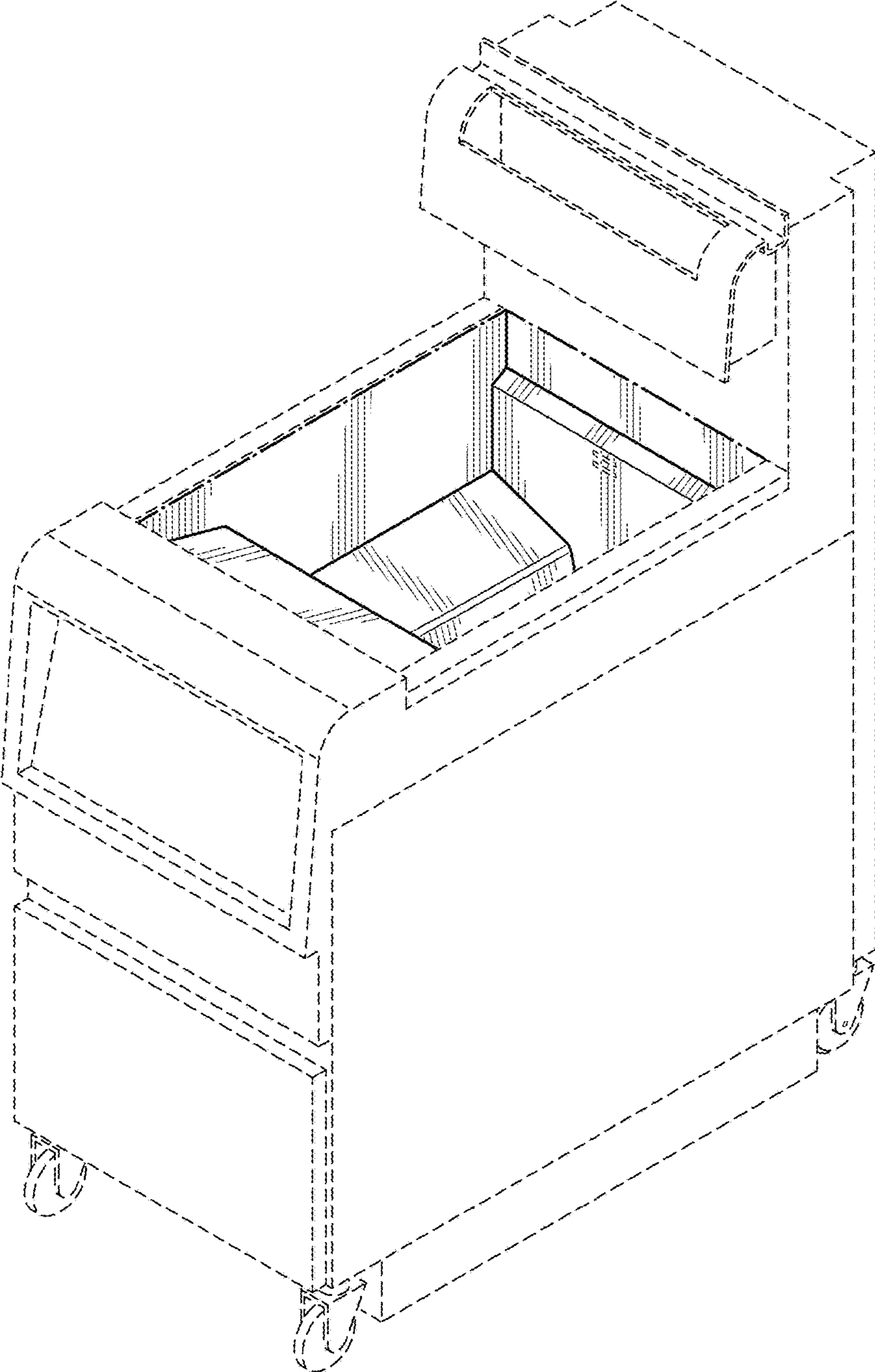


FIG. 1

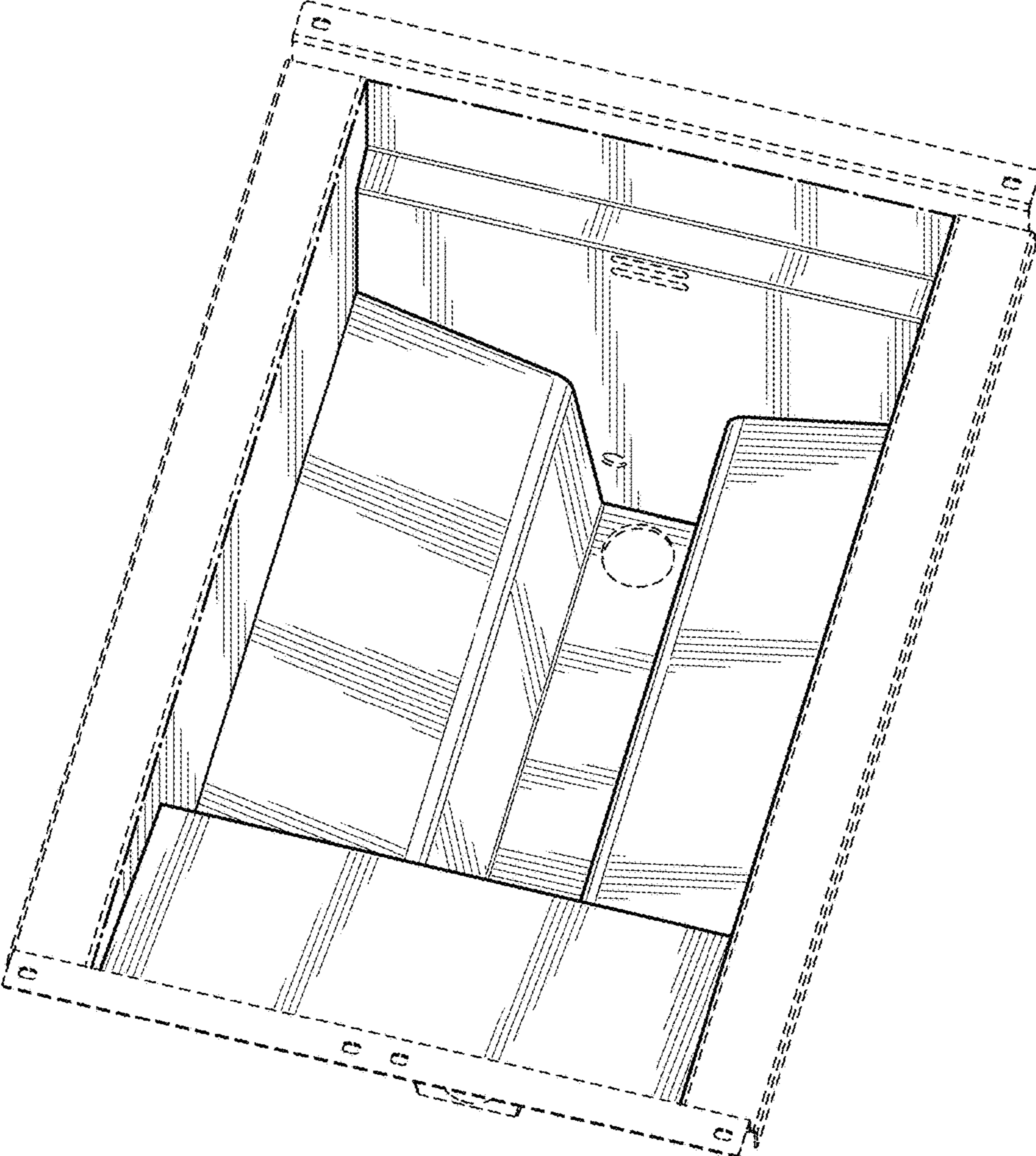


FIG. 2

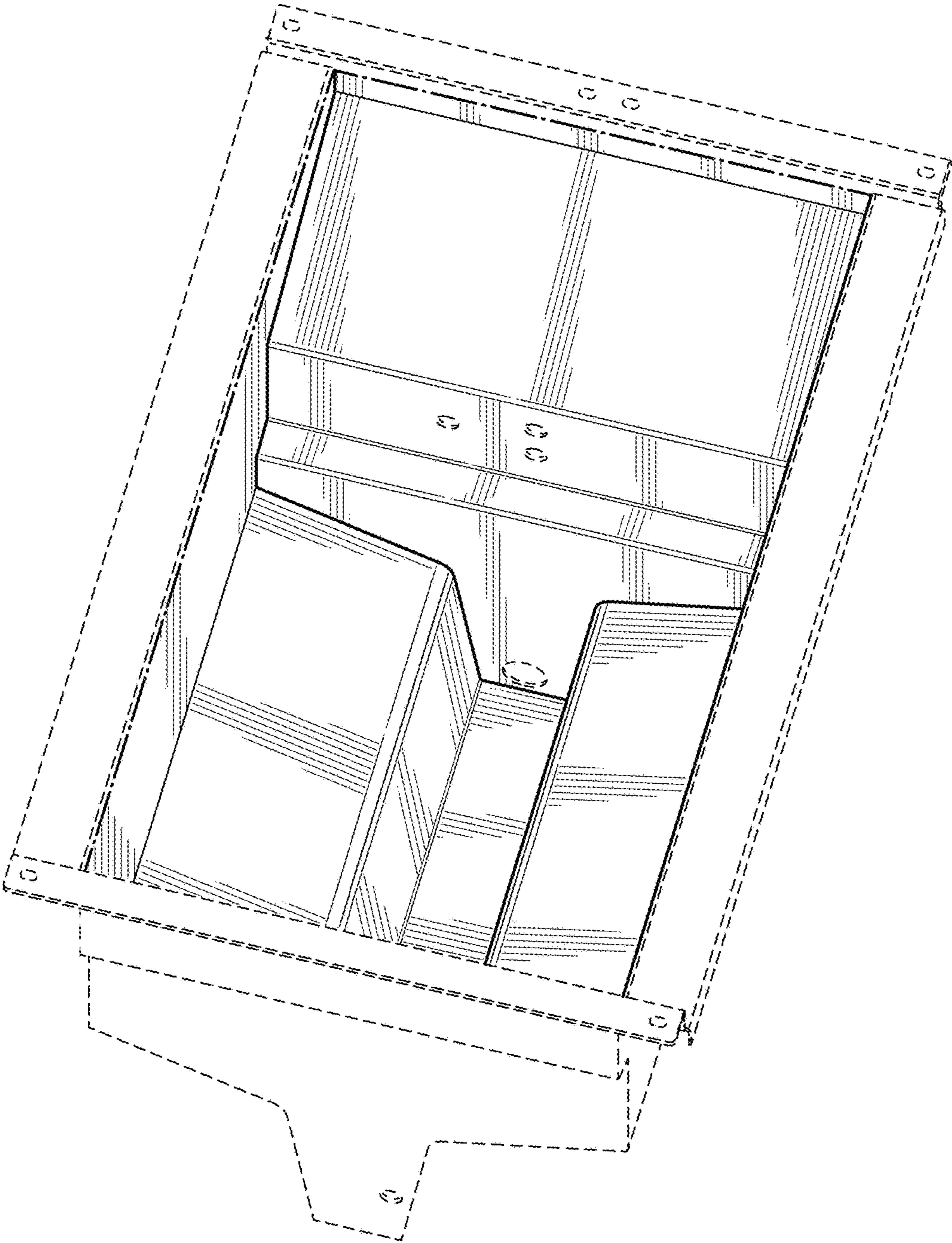


FIG. 3

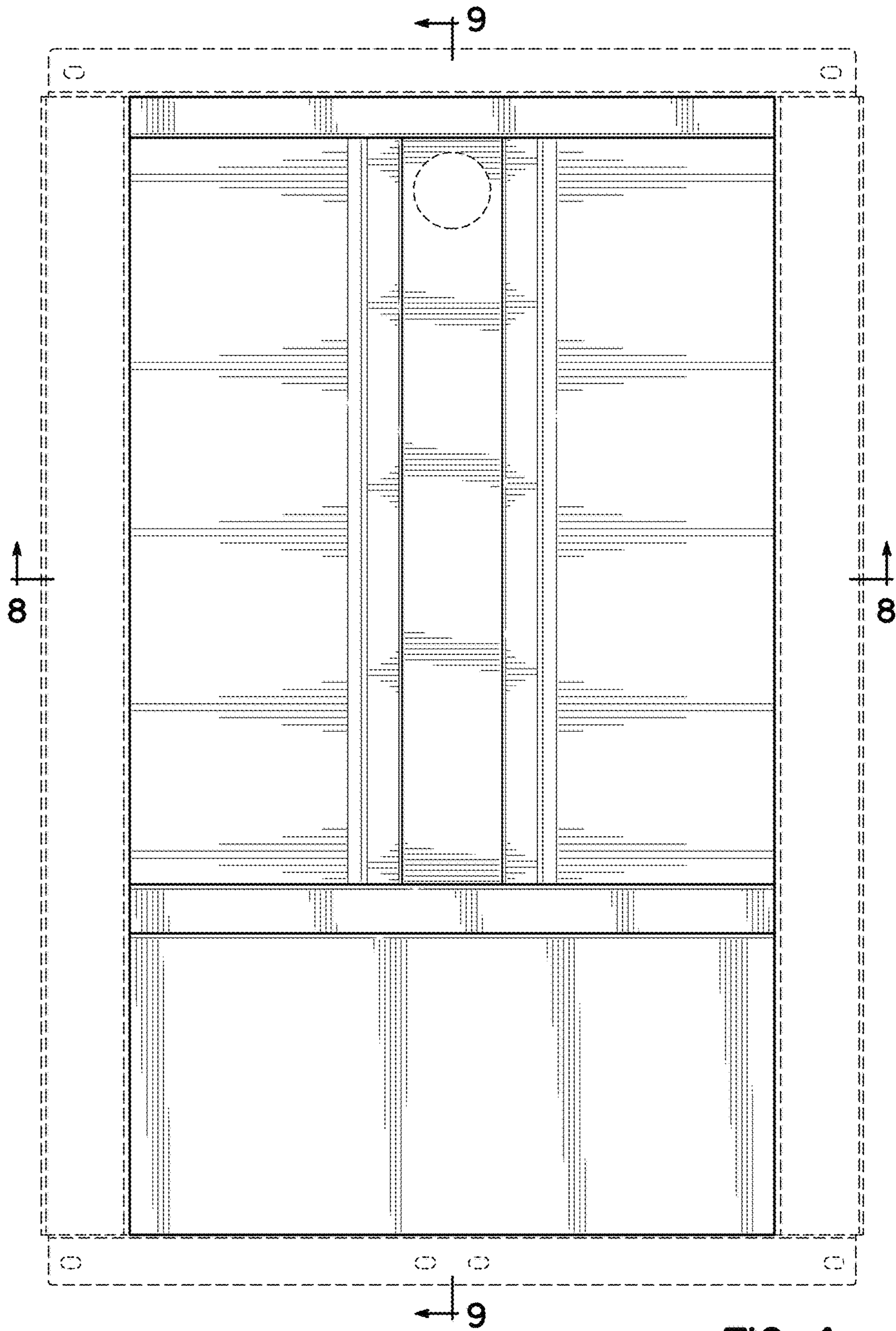


FIG. 4

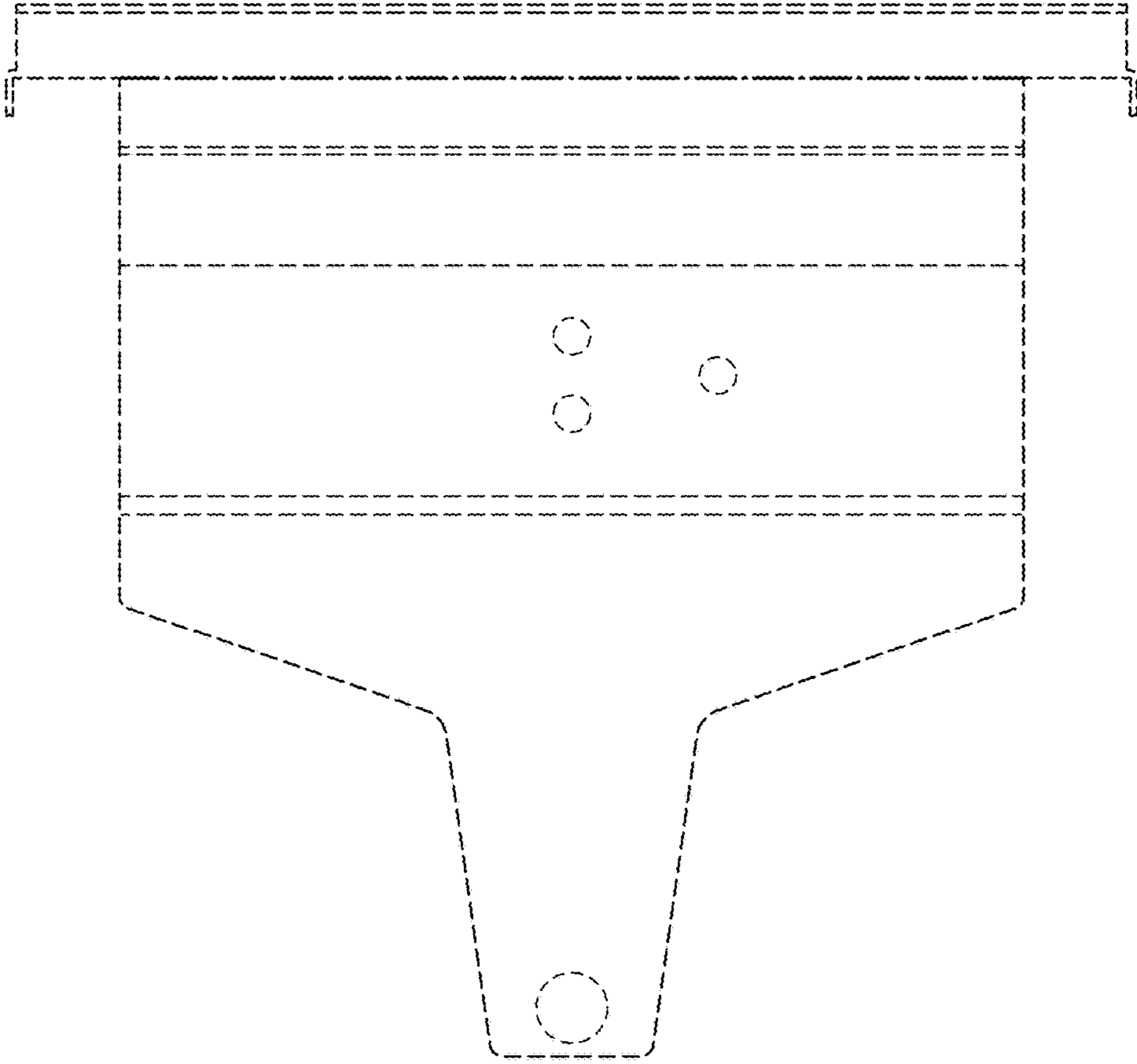


FIG. 5

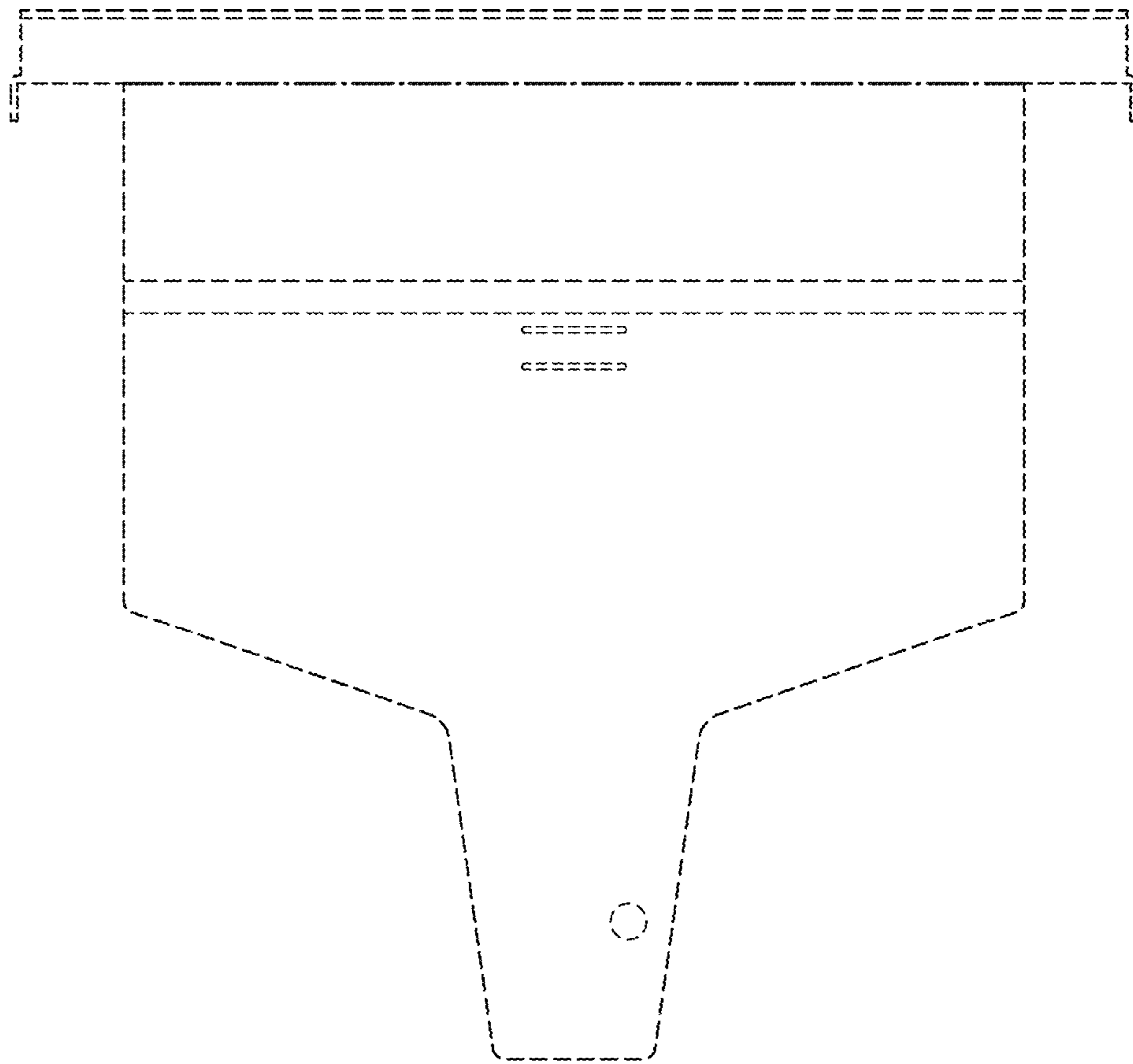


FIG. 6

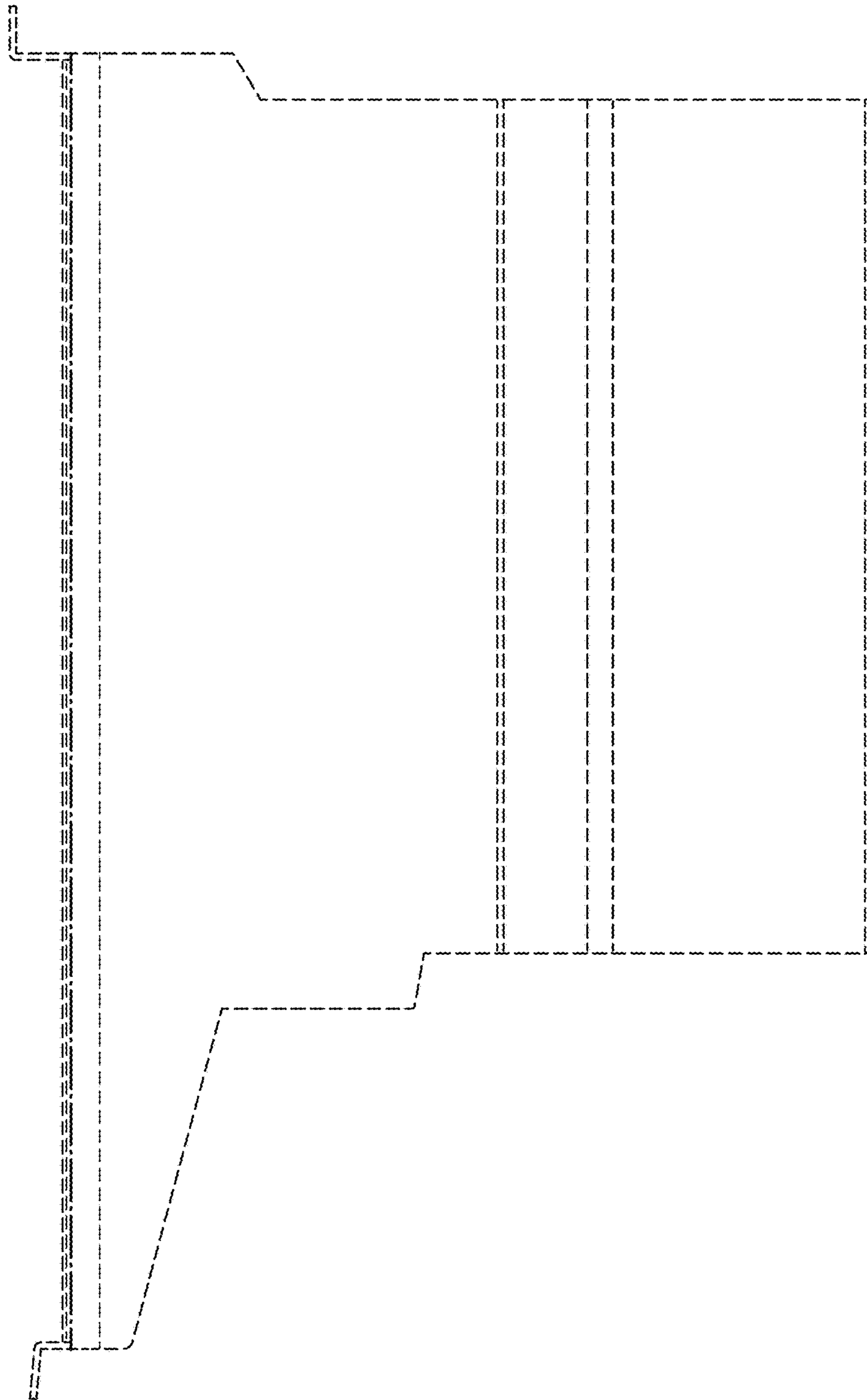


FIG. 7



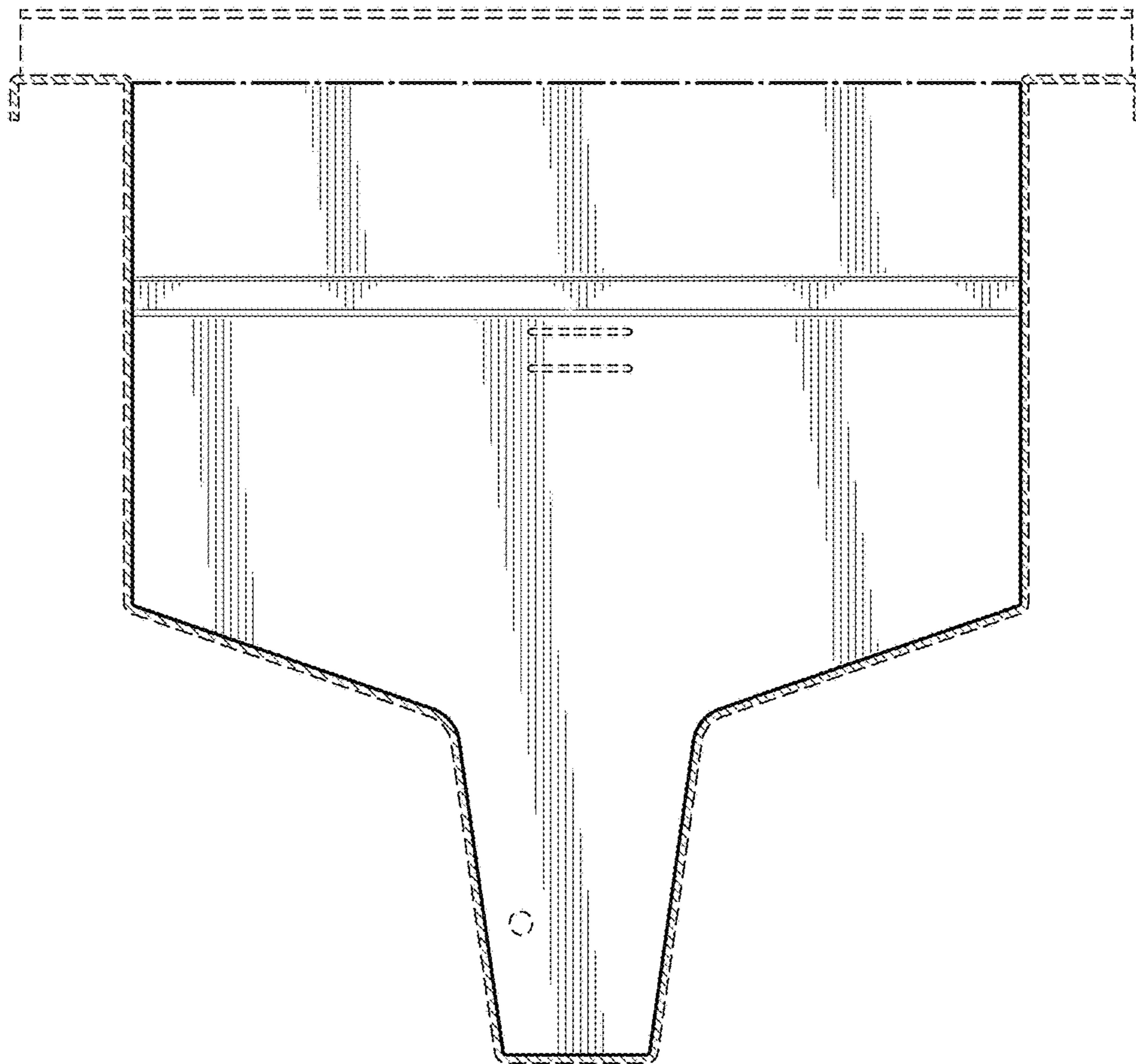


FIG. 8

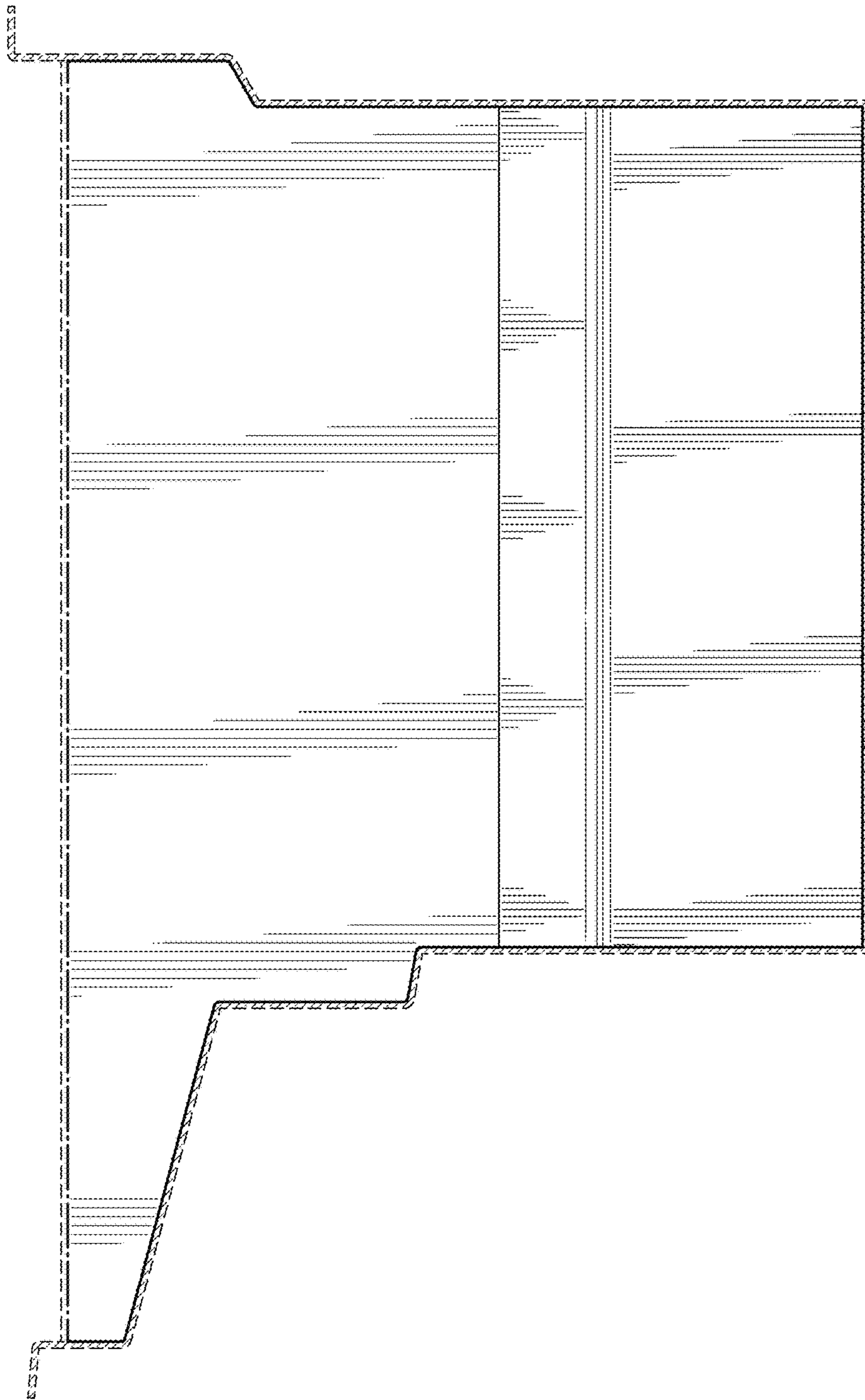


FIG. 9