

US00D833809S

(12) **United States Design Patent** (10) **Patent No.:** **US D833,809 S**
Gaeta et al. (45) **Date of Patent:** **** Nov. 20, 2018**

(54) **AERATOR**
(71) Applicant: **JETSTREAM WINE TECHNOLOGIES, INC.**, North Reading, MA (US)
(72) Inventors: **Cheryl Gaeta**, Reading, MA (US); **David G. Kmetz**, Douglas, MA (US); **Michael J. Pelosi**, Winthrop, MA (US)
(73) Assignee: **Jetstream Wine Technologies, Inc.**, Worcester, MA (US)

D681,393 S 5/2013 Agarwal
8,727,324 B2 5/2014 Borden
8,783,665 B2 7/2014 Kuru
8,807,358 B2 8/2014 Devoy
D712,199 S 9/2014 Borden
D741,645 S 10/2015 Lau
9,283,526 B2 3/2016 Smith
9,463,423 B2 10/2016 Borden
D772,004 S 11/2016 Khan
9,486,754 B2 11/2016 Foldesi, Jr.
D799,894 S * 10/2017 Gaeta D7/397
D810,507 S * 2/2018 Gaeta D7/397
2006/0204414 A1 9/2006 Warner et al.
2010/0091605 A1 4/2010 Rasmussen et al.

(**) Term: **15 Years**

(21) Appl. No.: **29/633,783**

(22) Filed: **Jan. 16, 2018**

Related U.S. Application Data

(63) Continuation-in-part of application No. 29/547,685, filed on Dec. 7, 2015, now Pat. No. Des. 810,507, and a continuation of application No. 14/960,590, filed on Dec. 7, 2015.

(51) **LOC (11) Cl.** **07-99**

(52) **U.S. Cl.**
USPC **D7/397**; D7/368

(58) **Field of Classification Search**
USPC D7/397, 368; 426/474; 215/40
CPC C12G 1/00; B01F 3/04794; B01F 3/0446;
B01F 13/002; B01F 5/0644; B01F
5/0428; B01F 2215/0072; B65D 1/023;
B65D 23/04
See application file for complete search history.

(56) **References Cited**

U.S. PATENT DOCUMENTS

3,091,373 A 5/1963 Kirschenbaum
D631,291 S 1/2011 Kushner
D633,745 S 3/2011 Ross
D635,823 S 4/2011 Mauffette

FOREIGN PATENT DOCUMENTS

BE 481212 A 4/1948
EP 1882515 A1 1/2008

OTHER PUBLICATIONS

European Search Report dated Jun. 22, 2018, in corresponding EP Patent Application No. 15866325.2.

Primary Examiner — Mark A Goodwin

(74) *Attorney, Agent, or Firm* — Duane Morris LLP

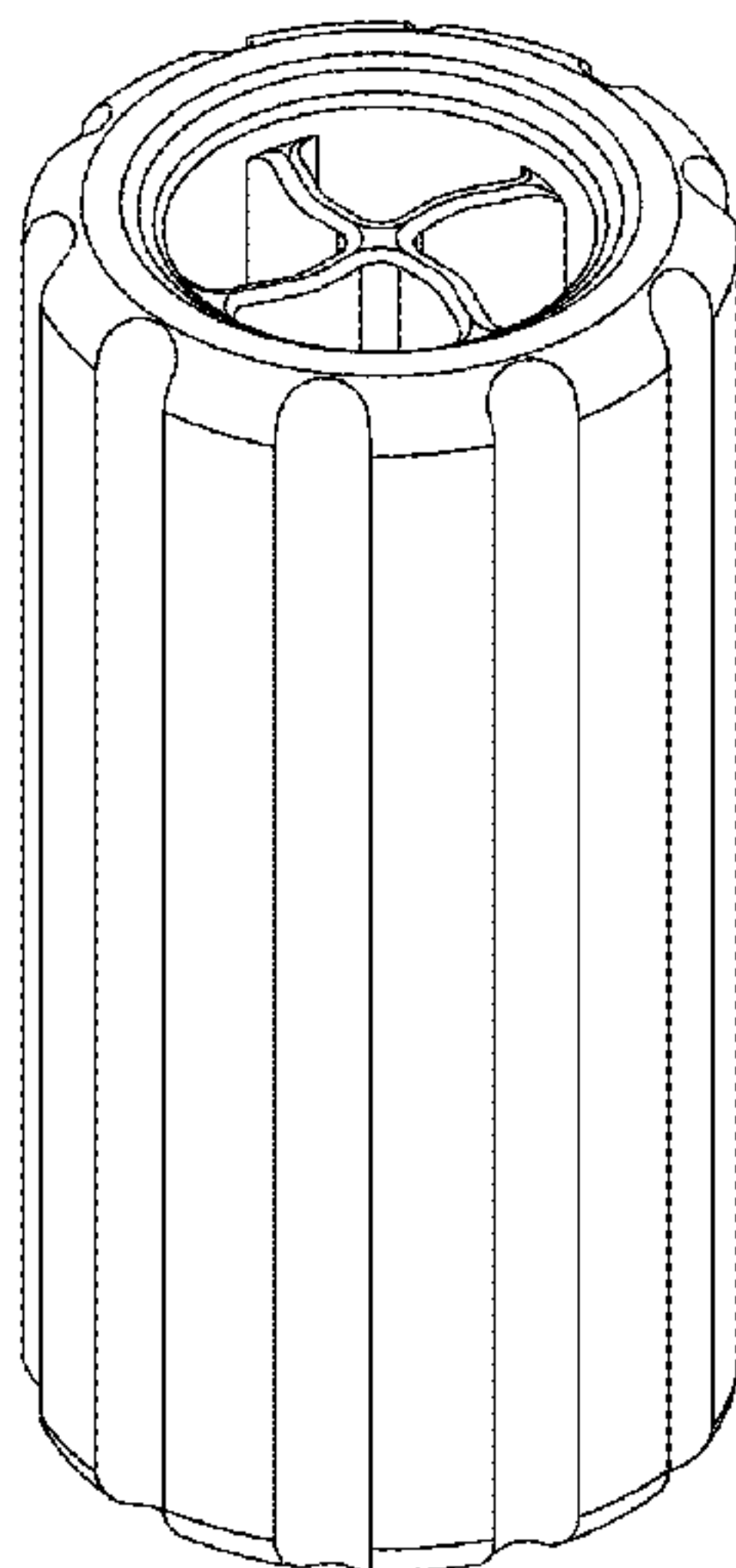
(57) **CLAIM**

The ornamental design for an aerator, as shown and described.

DESCRIPTION

FIG. 1 is an isometric view of the aerator showing our new design;
FIG. 2 is a side view of the aerator;
FIG. 3 is a side view of the aerator opposite the side view of the aerator shown in FIG. 2;
FIG. 4 is a top side view of the aerator; and,
FIG. 5 is a cross-sectional view of the aerator taken along line 5-5 in FIG. 4.

1 Claim, 3 Drawing Sheets



(56)

References Cited

U.S. PATENT DOCUMENTS

2010/0124594 A1 5/2010 Burroughs et al.
2012/0074092 A1 3/2012 Devoy et al.
2013/0319253 A1 12/2013 Smith
2017/0157575 A1* 6/2017 Gaeta B01F 5/0644
2017/0259220 A9* 9/2017 Gaeta B01F 5/0644
2017/0304783 A1* 10/2017 Gupta B01F 3/04794

* cited by examiner

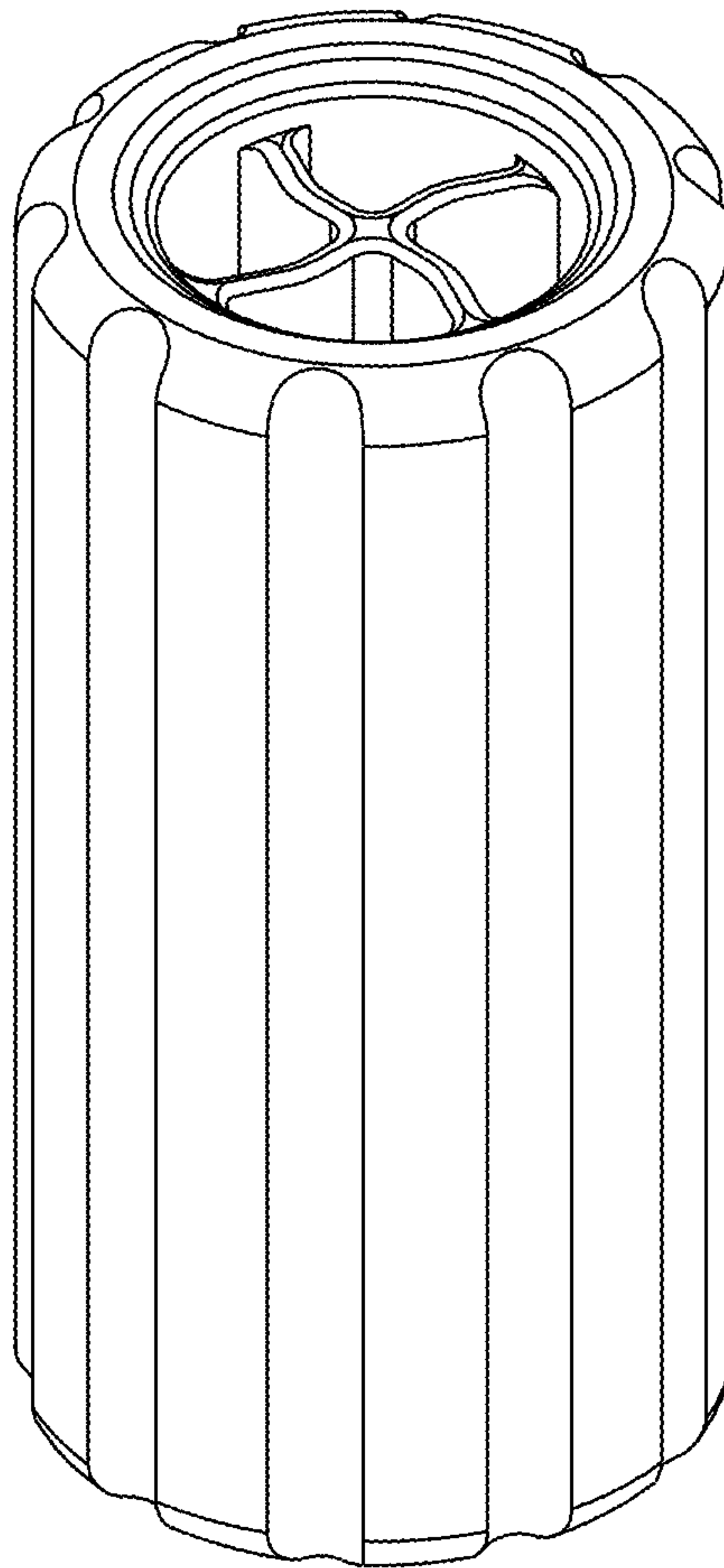


FIG. 1

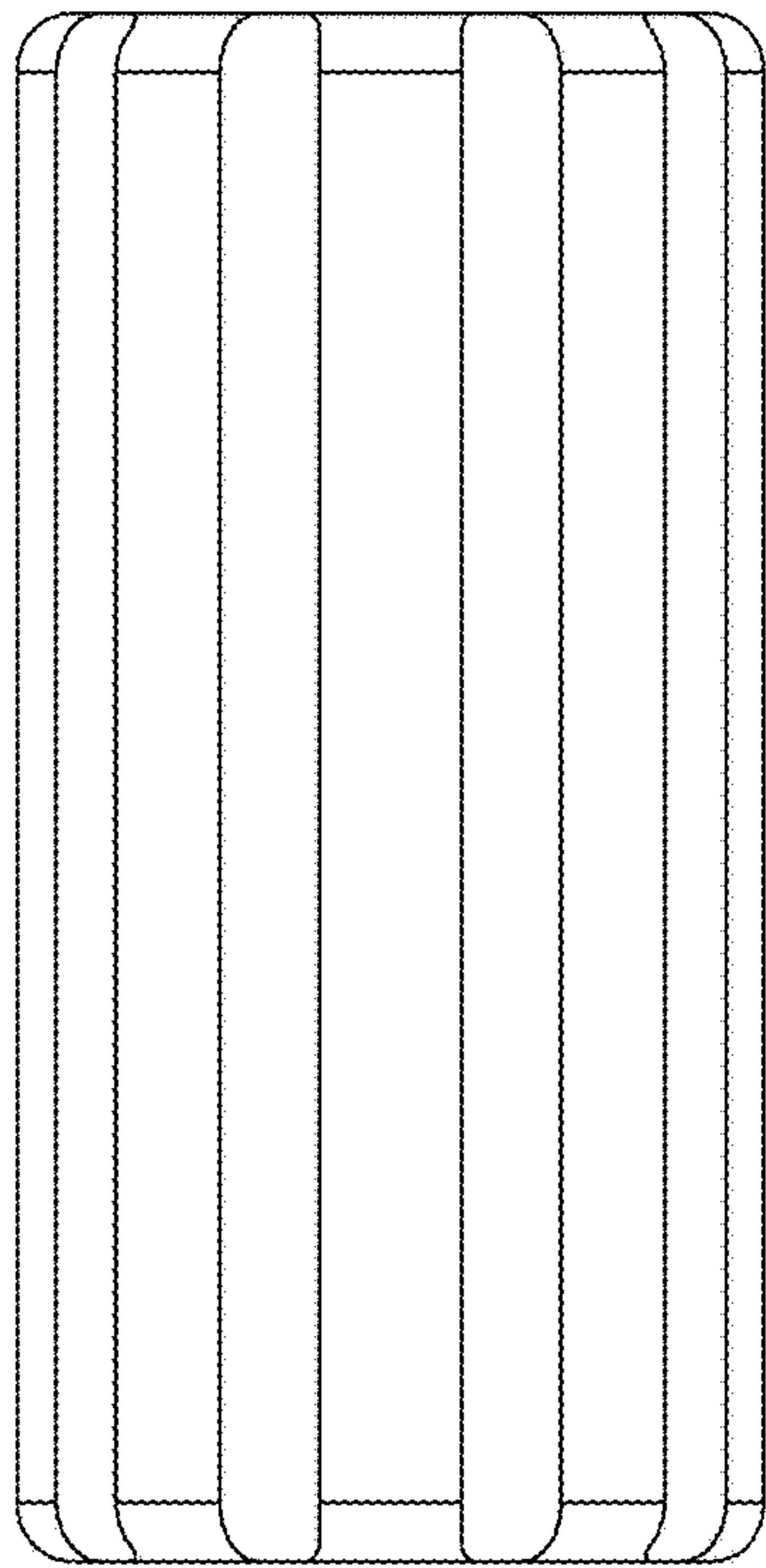


FIG. 2

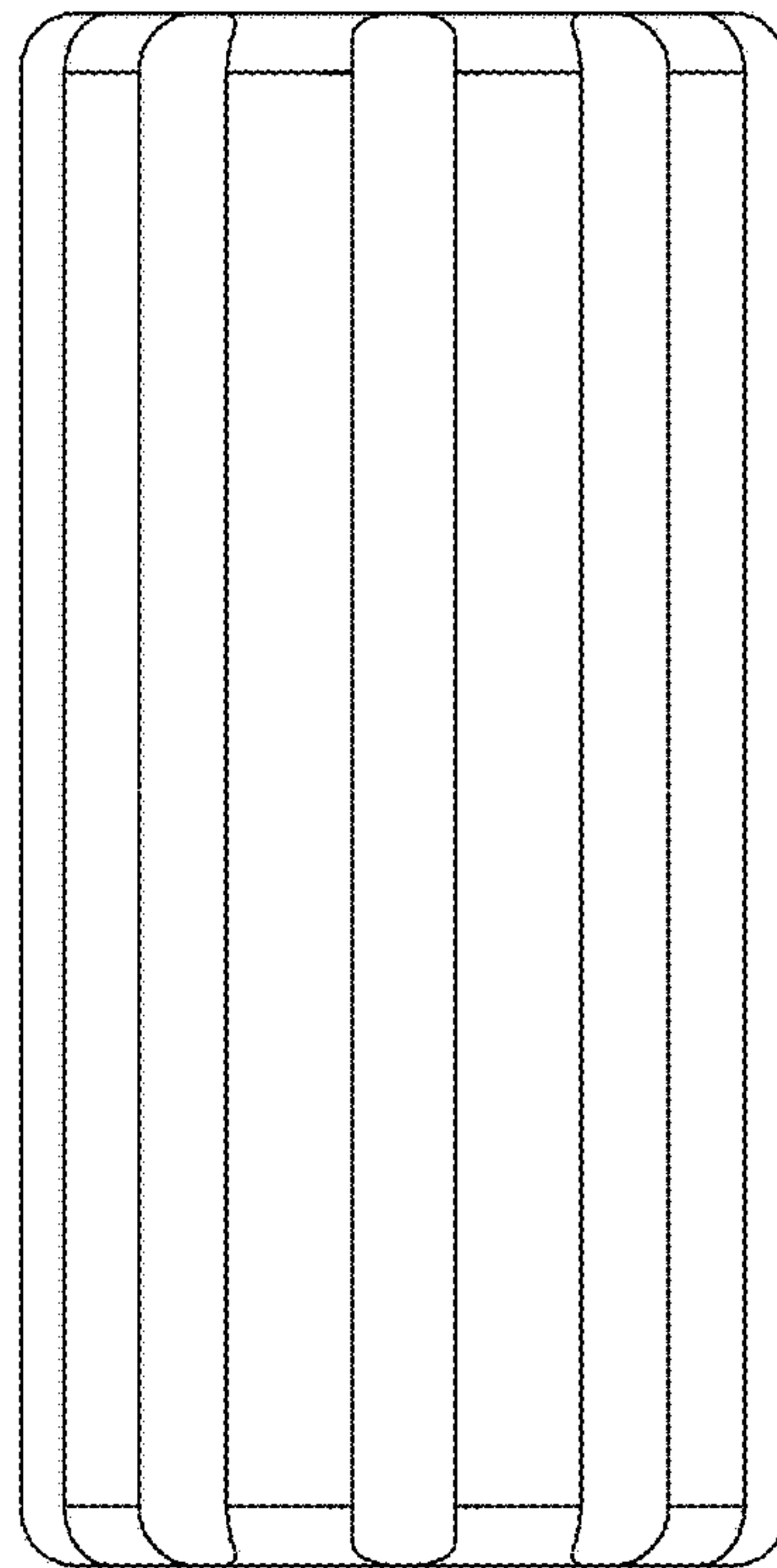


FIG. 3

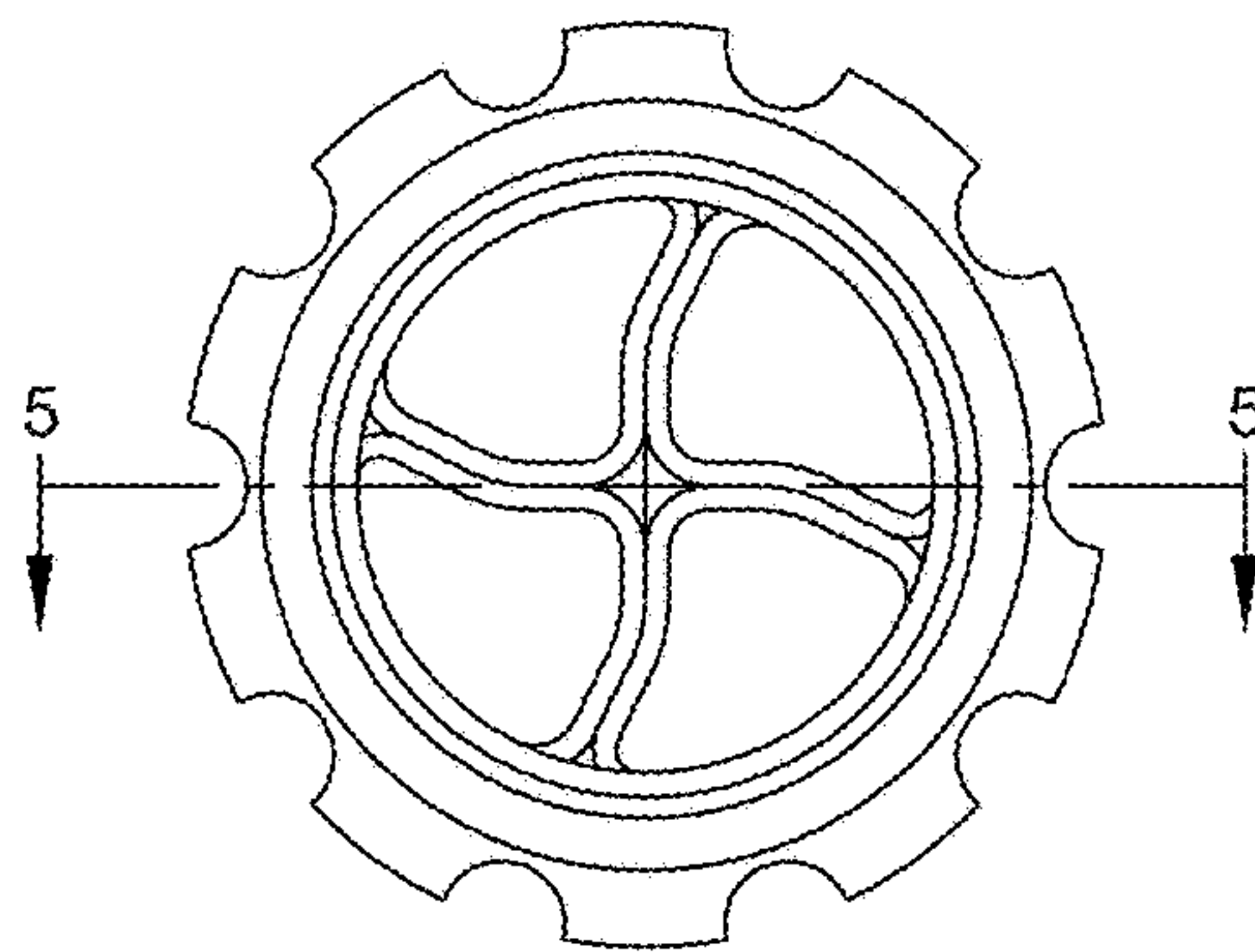


FIG. 4

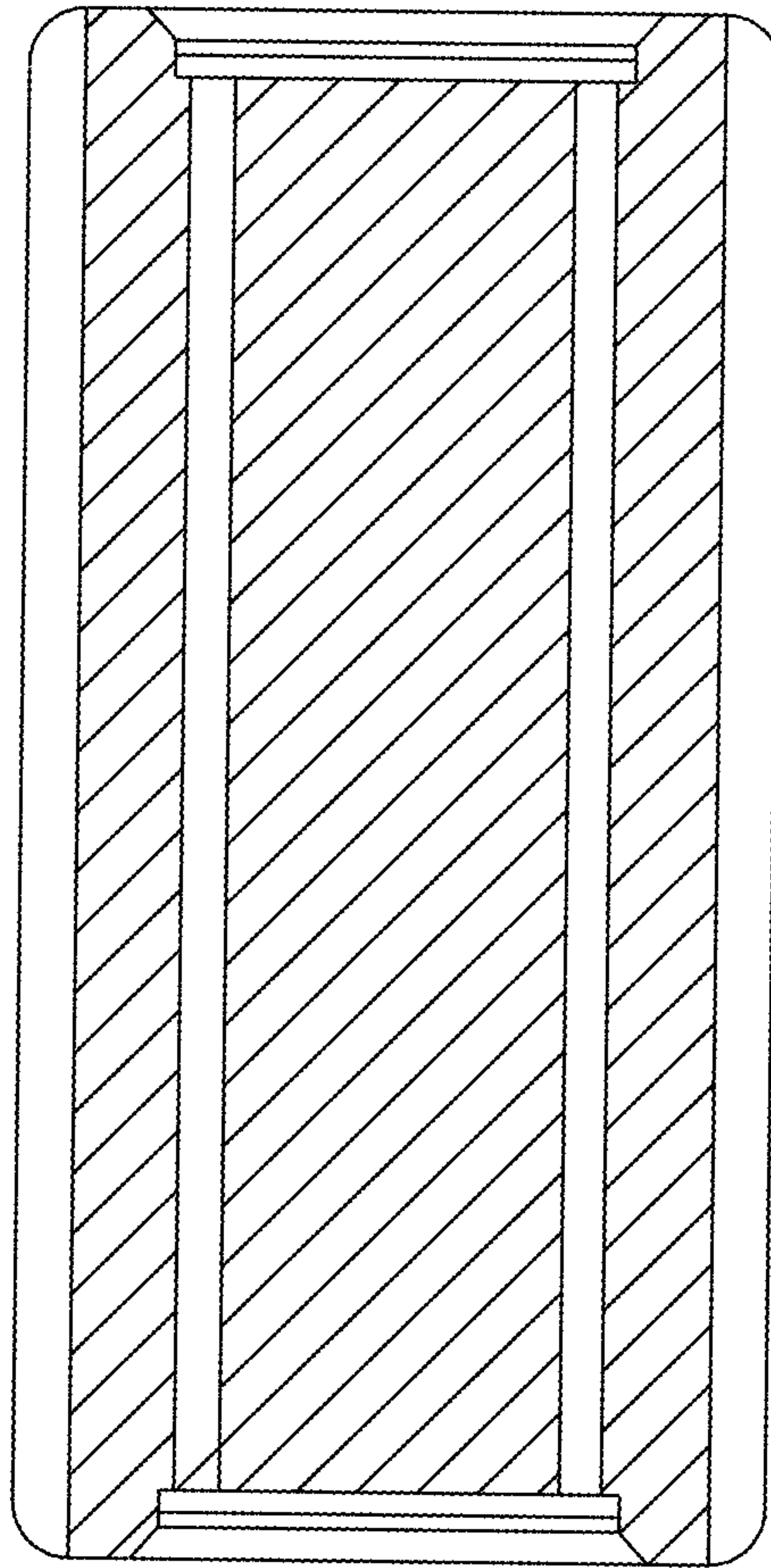


FIG. 5