



US00D833806S

(12) **United States Design Patent** (10) **Patent No.:** **US D833,806 S**
Chen (45) **Date of Patent:** **** Nov. 20, 2018**

(54) **FOOD PROCESSOR**

B02C 13/1835; B28C 5/10; B28C 5/12;
B28C 5/14; B28C 5/16

See application file for complete search history.

(71) Applicant: **SHUANGMA PLASTIC MANUFACTURING INC.**, Linhai, Zhejiang Province (CN)

(56)

References Cited

U.S. PATENT DOCUMENTS

(72) Inventor: **Cui-Hong Chen**, Taizhou (CN)

4,588,136 A * 5/1986 Homma A23G 9/045
241/168

(73) Assignee: **SHUANGMA PLASTIC MANUFACTURING INC.**, Linhai, Zhejiang Province (CN)

5,156,084 A * 10/1992 Lin A47J 43/06
210/380.1

D391,804 S * 3/1998 Wong D7/376

5,735,193 A * 4/1998 Chang A47J 43/044
241/282.1

(**) Term: **15 Years**

D395,194 S * 6/1998 Wong D7/376

D426,744 S * 6/2000 Wong D7/384

D431,426 S * 10/2000 Yip D7/679

D447,017 S * 8/2001 Jalet D7/693

D480,613 S * 10/2003 Wong D7/384

D494,821 S * 8/2004 Spalding D7/384

6,854,675 B2 * 2/2005 Wong A47J 42/34
241/92

D814,233 S * 4/2018 Burrus D7/373

(21) Appl. No.: **29/613,208**

(22) Filed: **Aug. 8, 2017**

(30) **Foreign Application Priority Data**

* cited by examiner

Apr. 21, 2017 (CN) 2017 3 0136742

(51) **LOC (11) Cl.** **31-00**

(52) **U.S. Cl.**

USPC **D7/384**; D7/376; D7/380; D7/381

(58) **Field of Classification Search**

USPC D7/372-373, 376-386, 412-413, 602,
D7/629, 665-666, 669, 679, 693-694

CPC .. A21C 1/02; A21C 1/04; A23G 9/045; A23N
1/00; A23N 1/02; A47J 42/34; A47J

43/04; A47J 43/25; A47J 43/27; A47J

43/042; A47J 43/044; A47J 43/046; A47J

43/06; A47J 43/075; A47J 43/0722; A47J

43/0727; B01F 3/00; B01F 3/0807; B01F

3/0853; B01F 13/0059; B01F 13/0064;

B02C 1/08; B02C 2/04; B02C 4/42;

B02C 4/142; B02C 4/143; B02C 4/423;

Primary Examiner — Ricky Pham

(74) *Attorney, Agent, or Firm* — Tim Tingkang Xia, Esq.;
Locke Lord LLP

(57)

CLAIM

The ornamental design for a food processor, as shown and described.

DESCRIPTION

FIG. 1 is a perspective view of a food processor according to my new design;

FIG. 2 is a front elevation view thereof;

FIG. 3 is a rear elevation view thereof;

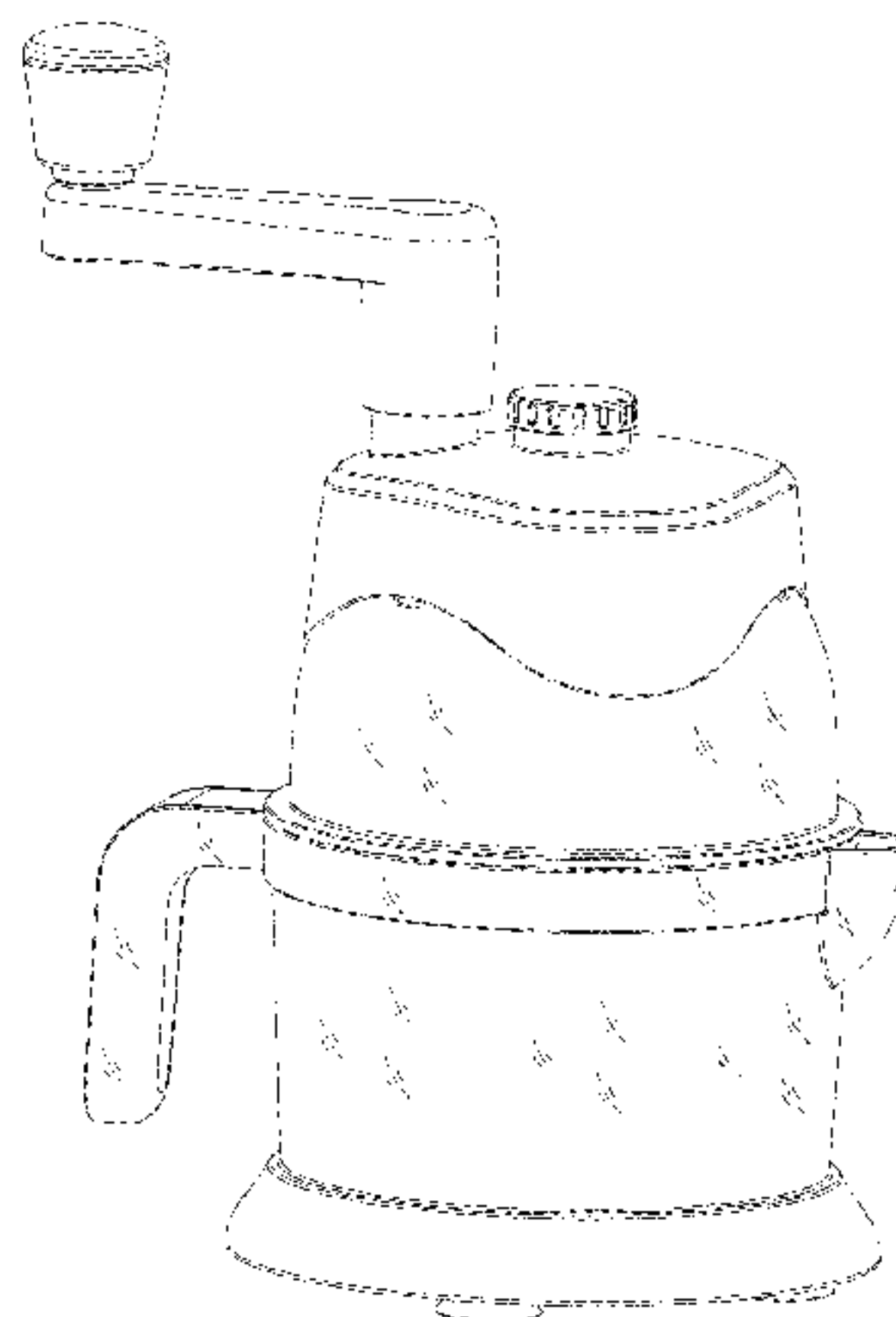
FIG. 4 is a left side elevation view thereof;

FIG. 5 is a right side elevation view thereof;

FIG. 6 is a top plan view thereof; and,

FIG. 7 is a bottom plan view thereof.

(Continued)



The broken lines showing of a food processor are for the purpose of illustrating environmental structures of the food processor and form no part of the claimed design.

1 Claim, 7 Drawing Sheets

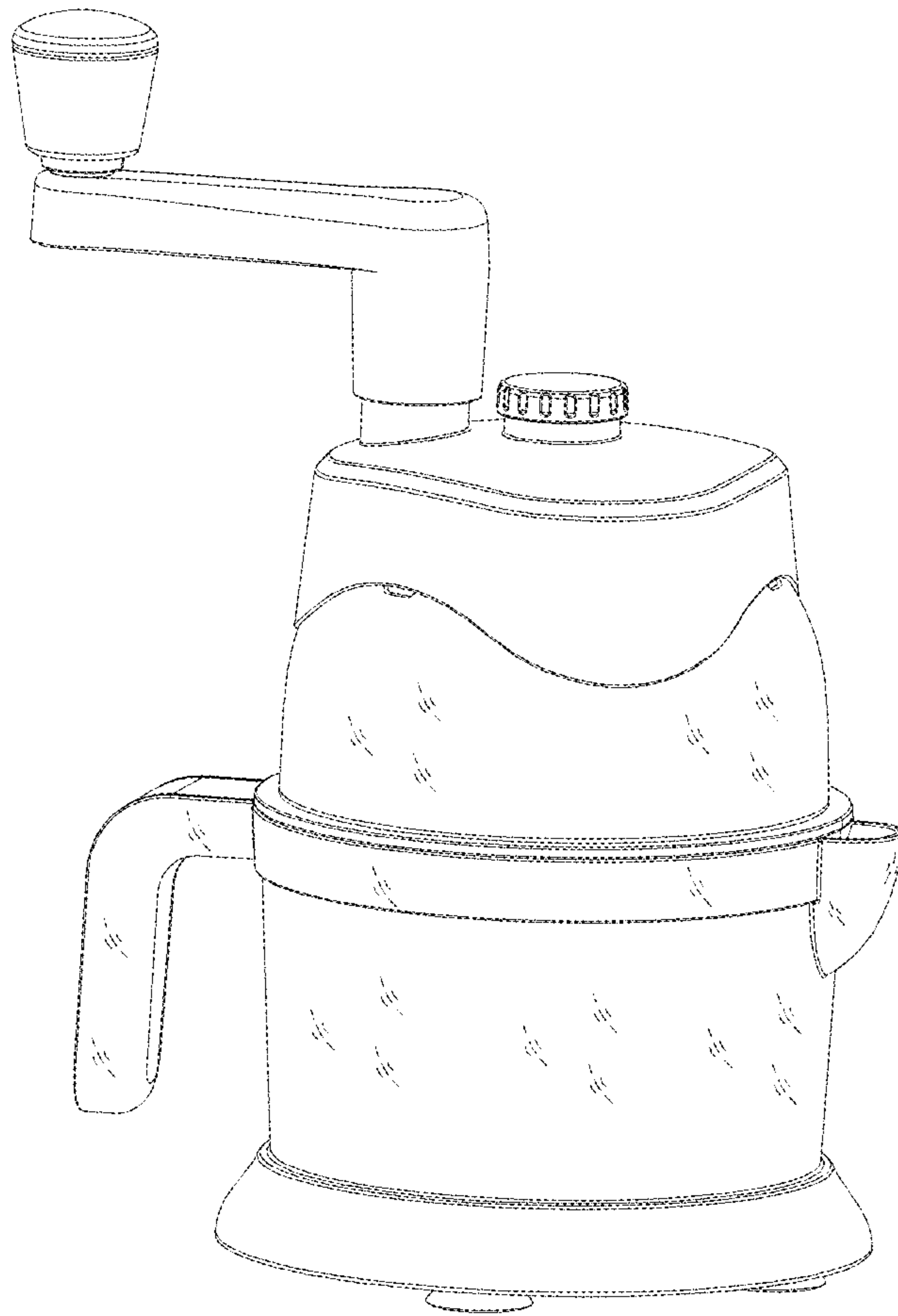


FIG. 1

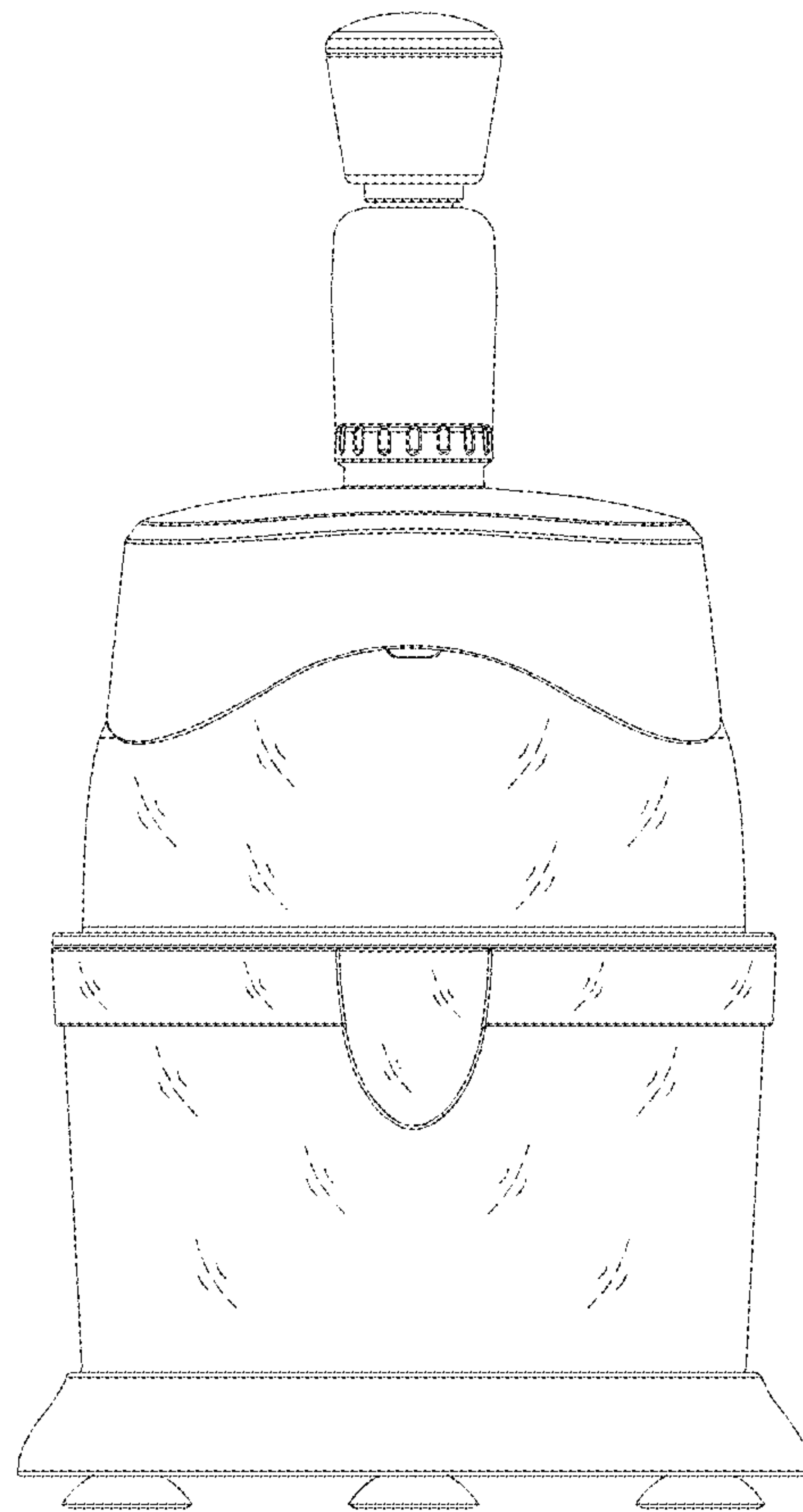


FIG. 2

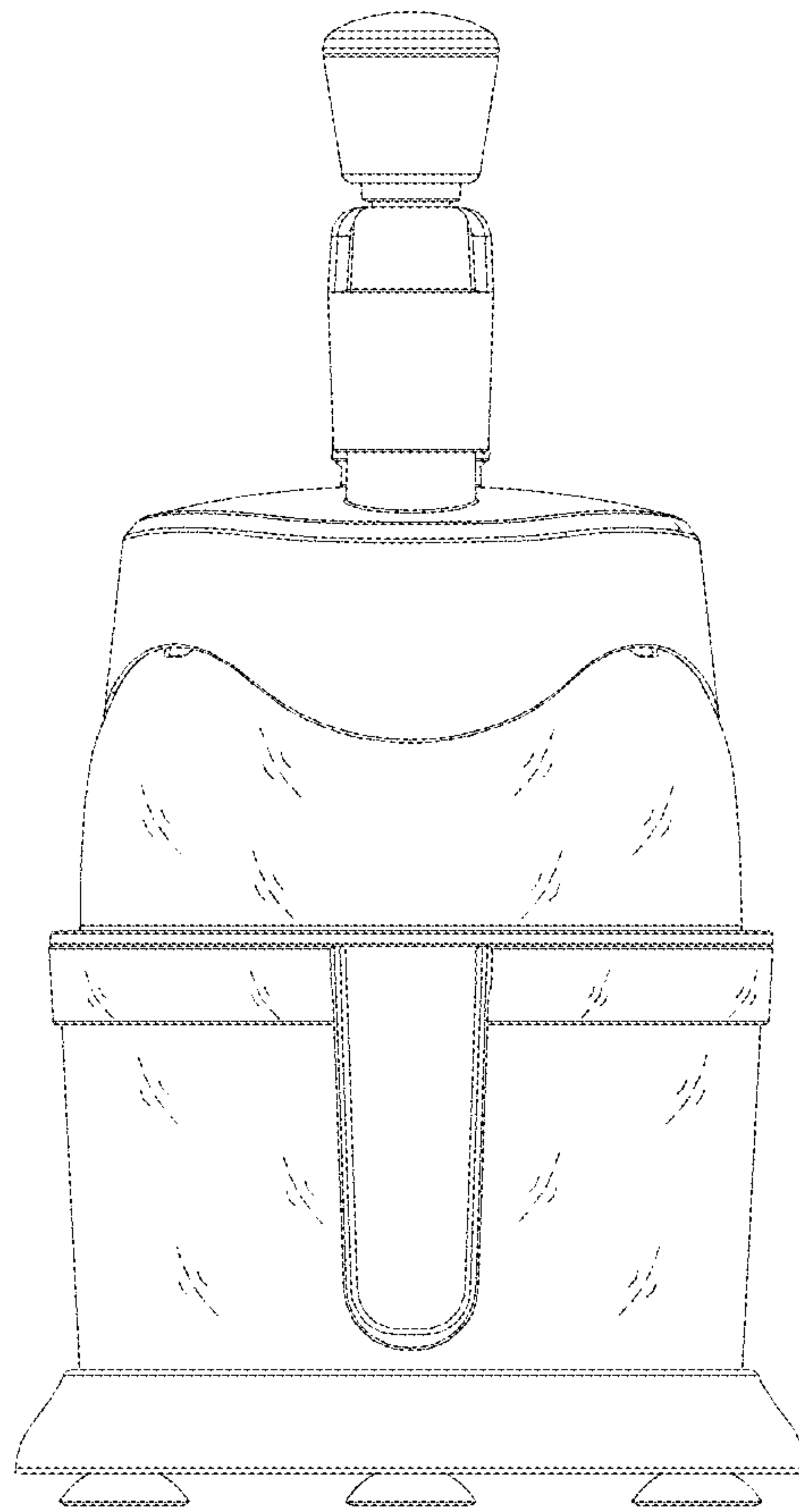


FIG. 3

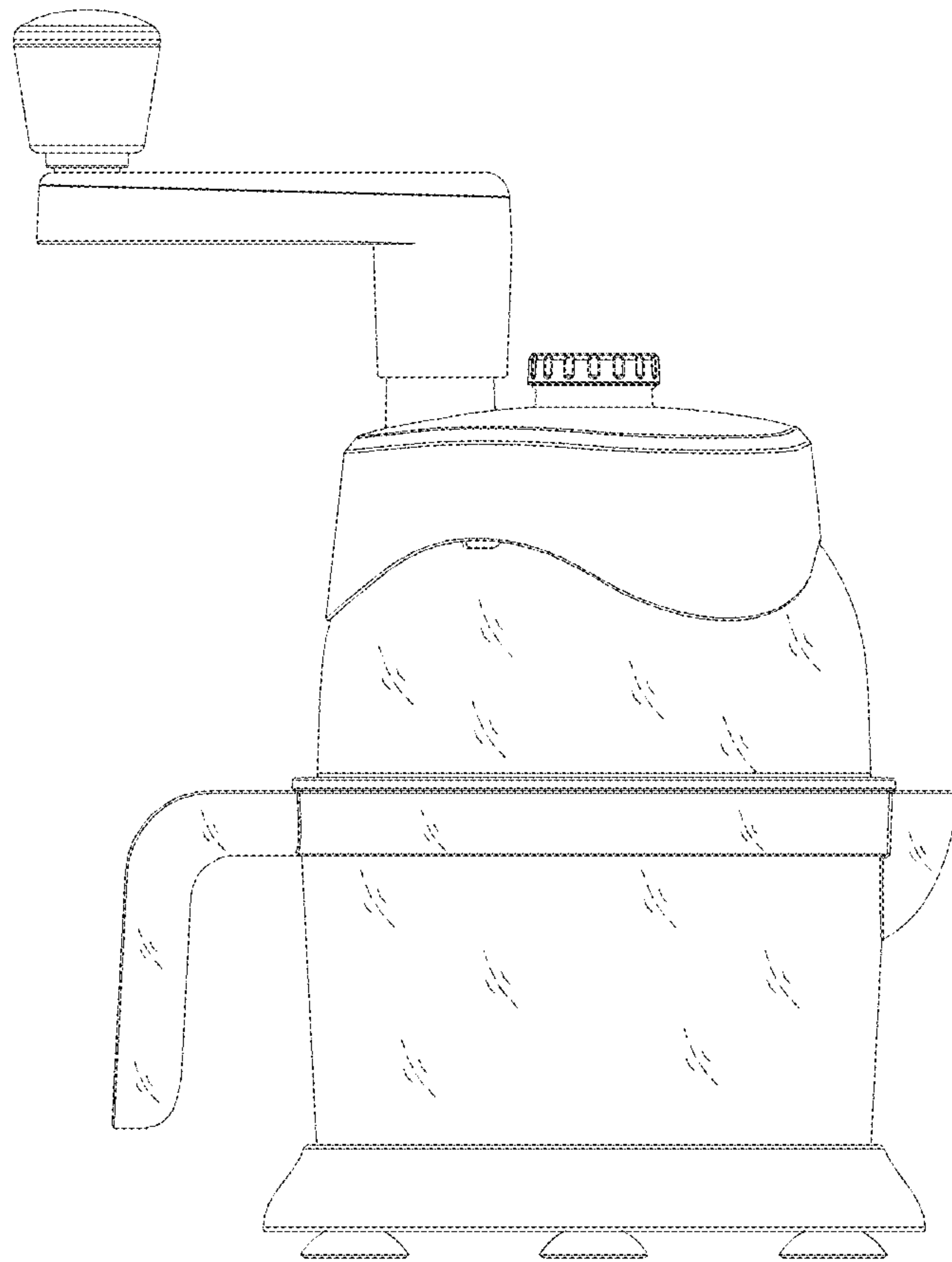


FIG. 4

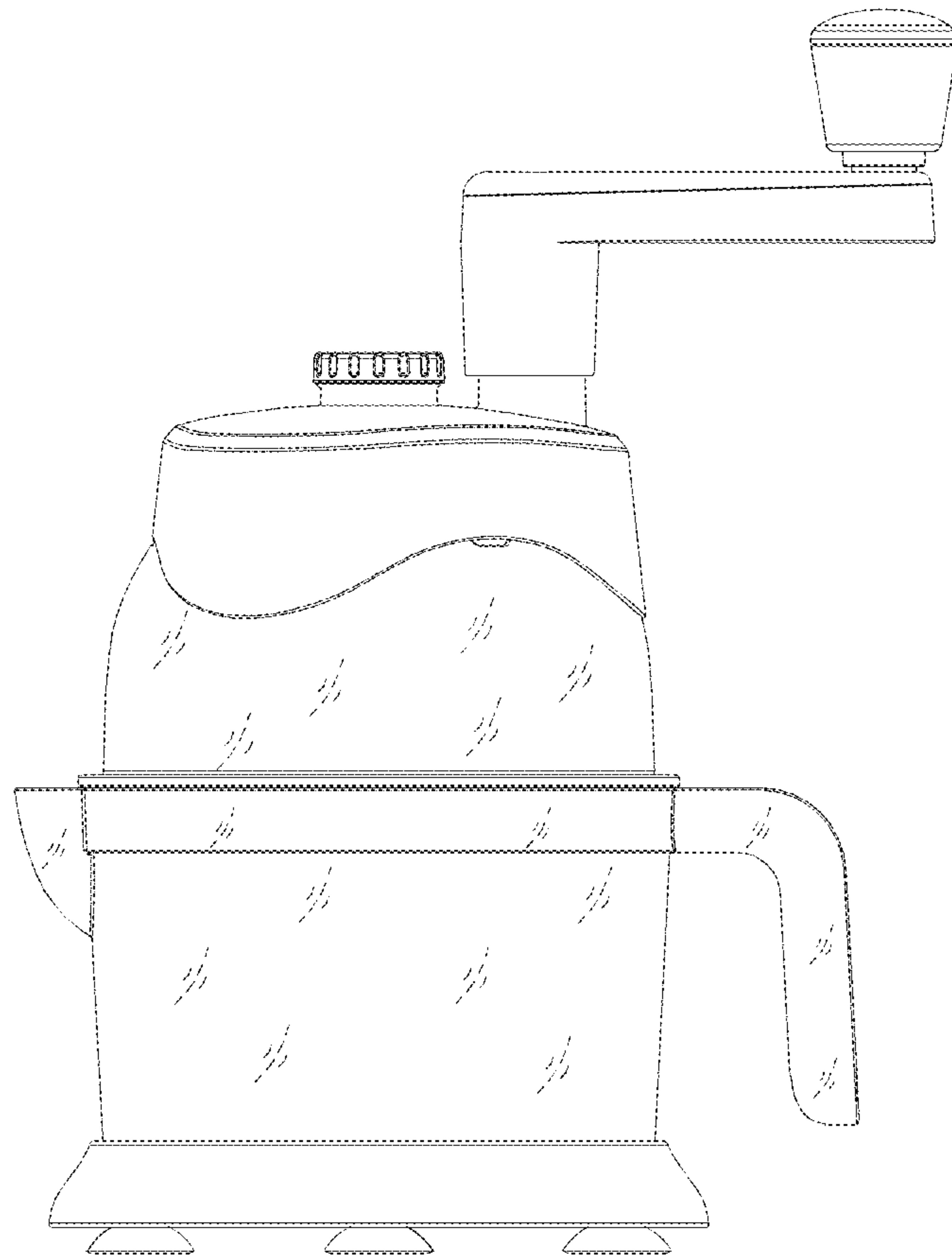


FIG. 5

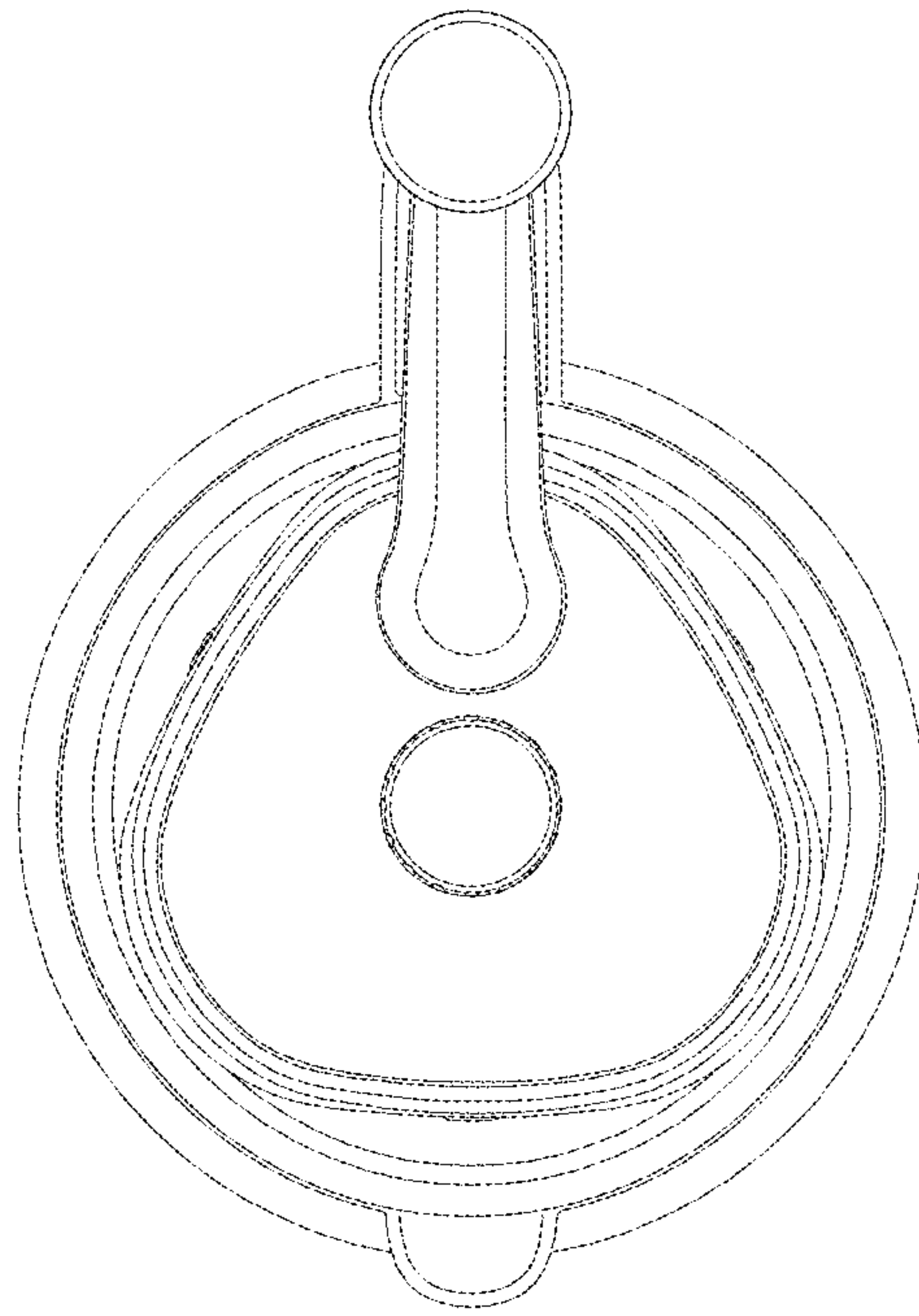


FIG. 6

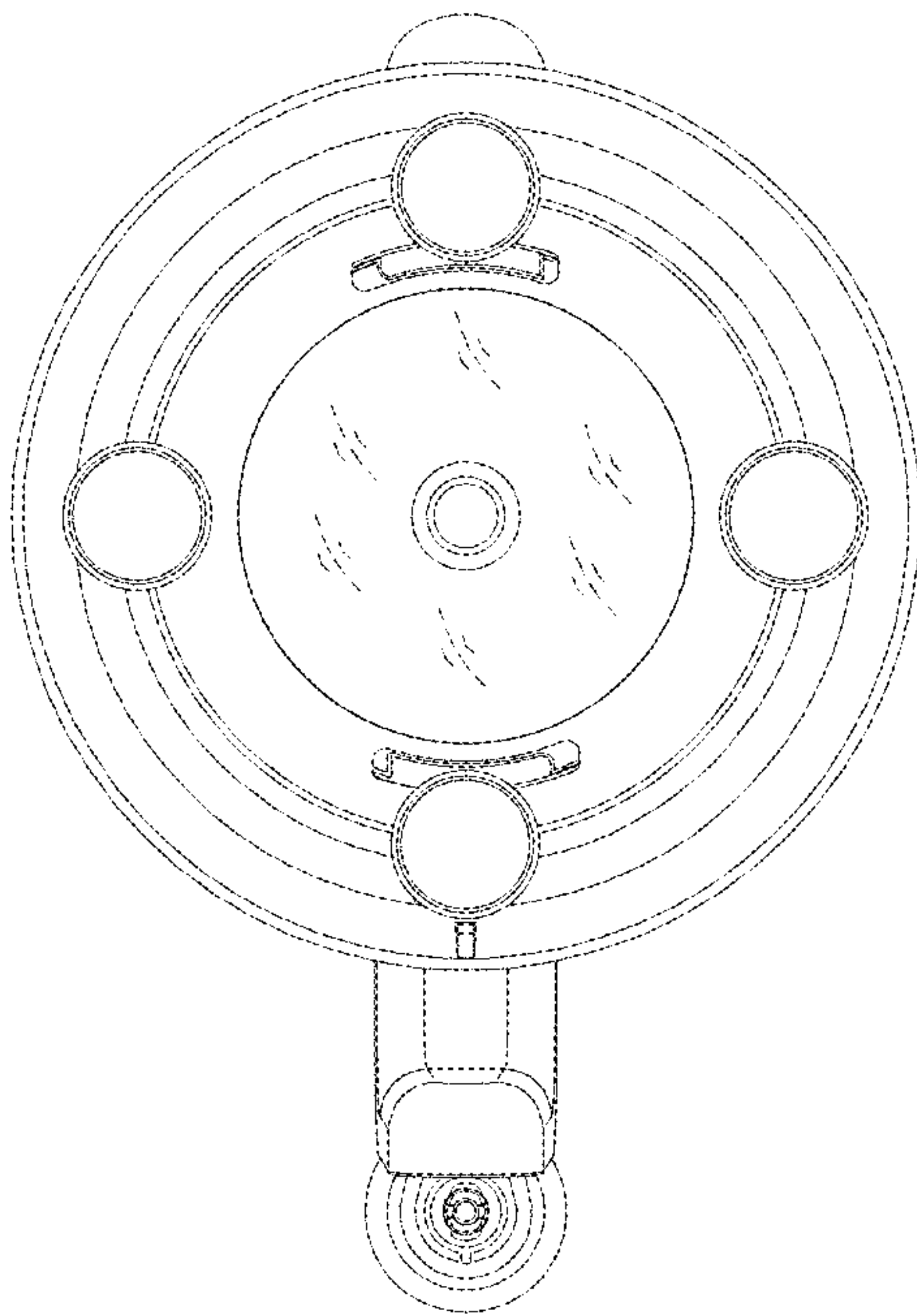


FIG. 7