



US00D833805S

(12) **United States Design Patent** (10) **Patent No.:** **US D833,805 S**
Chen (45) **Date of Patent:** **** Nov. 20, 2018**

(54) **FOOD PROCESSOR**

B02C 13/1835; B28C 5/10; B28C 5/12;
B28C 5/14; B28C 5/16

See application file for complete search history.

(71) Applicant: **SHUANGMA PLASTIC MANUFACTURING INC.**, Linhai, Zhejiang Province (CN)

(56)

References Cited

U.S. PATENT DOCUMENTS

(72) Inventor: **Cui-Hong Chen**, Taizhou (CN)

4,588,136	A *	5/1986	Homma	A23G 9/045 241/168
5,156,084	A *	10/1992	Lin	A47J 43/06 210/380.1
D391,804	S *	3/1998	Wong	D7/376
5,735,193	A *	4/1998	Chang	A47J 43/044 241/282.1
D395,194	S *	6/1998	Wong	D7/376
D426,744	S *	6/2000	Wong	D7/384
D431,426	S *	10/2000	Yip	D7/679
D447,017	S *	8/2001	Jalet	D7/693
D480,613	S *	10/2003	Wong	D7/384
D494,821	S *	8/2004	Spalding	D7/384
6,854,675	B2 *	2/2005	Wong	A47J 42/34 241/92
D814,233	S *	4/2018	Burrus	D7/373

(73) Assignee: **SHUANGMA PLASTIC MANUFACTURING INC.**, Linhai, Zhejiang Province (CN)

(**) Term: **15 Years**

(21) Appl. No.: **29/613,203**

(22) Filed: **Aug. 8, 2017**

(30) **Foreign Application Priority Data**

Apr. 21, 2017 (CN) 2017 3 0136742

(51) **LOC (11) Cl.** **31-00**

(52) **U.S. Cl.**

USPC **D7/384**; D7/376; D7/380; D7/381

(58) **Field of Classification Search**

USPC D7/372-373, 376-386, 412-413, 602,
D7/629, 665-666, 669, 679, 693-694

CPC .. A21C 1/02; A21C 1/04; A23G 9/045; A23N
1/00; A23N 1/02; A47J 42/34; A47J
43/04; A47J 43/25; A47J 43/27; A47J
43/042; A47J 43/044; A47J 43/046; A47J
43/06; A47J 43/075; A47J 43/0722; A47J
43/0727; B01F 3/00; B01F 3/0807; B01F
3/0853; B01F 13/0059; B01F 13/0064;
B02C 1/08; B02C 2/04; B02C 4/42;
B02C 4/142; B02C 4/143; B02C 4/423;

* cited by examiner

Primary Examiner — Ricky Pham

(74) *Attorney, Agent, or Firm* — Tim Tingkang Xia, Esq.;
Locke Lord LLP

(57)

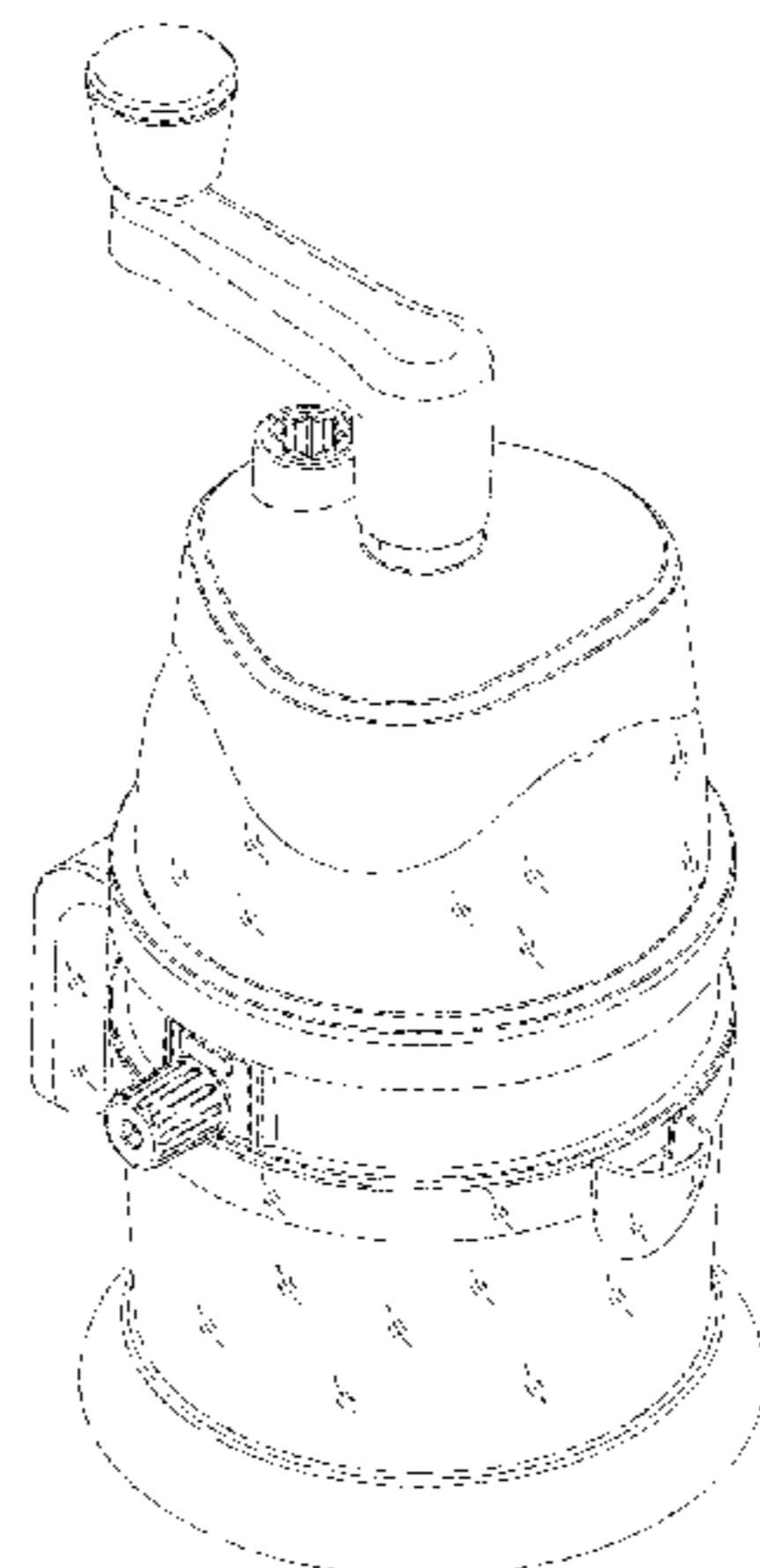
CLAIM

The ornamental design for a food processor, as shown and described.

DESCRIPTION

FIG. 1 is a perspective view of a food processor according to my new design;
FIG. 2 is a front elevation view thereof;
FIG. 3 is a rear elevation view thereof;
FIG. 4 is a left side elevation view thereof;
FIG. 5 is a right side elevation view thereof;
FIG. 6 is a top plan view thereof; and,
FIG. 7 is a bottom plan view thereof.

(Continued)



The broken lines showing of a food processor are for the purpose of illustrating environmental structures of the food processor and form no part of the claimed design.

1 Claim, 7 Drawing Sheets

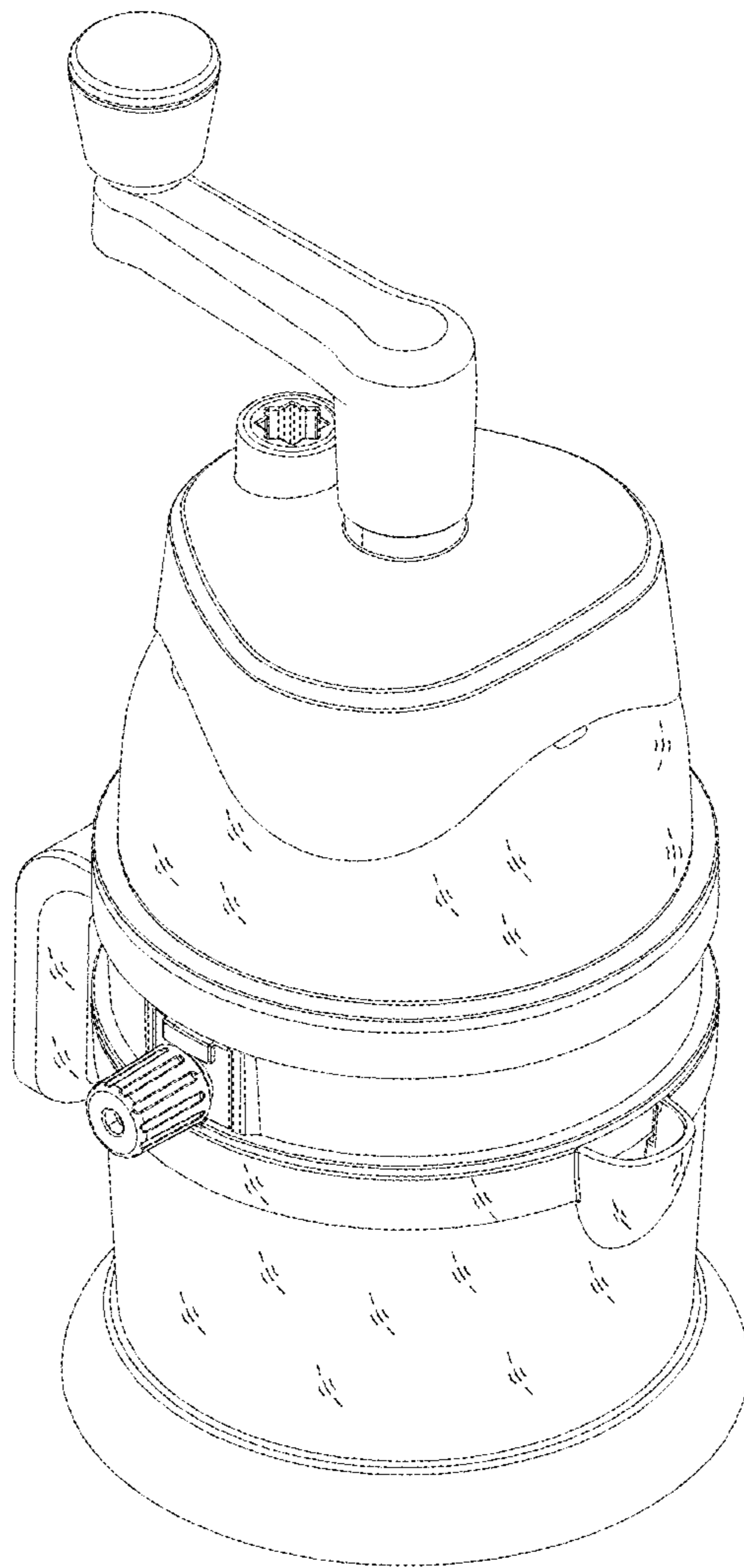


FIG. 1

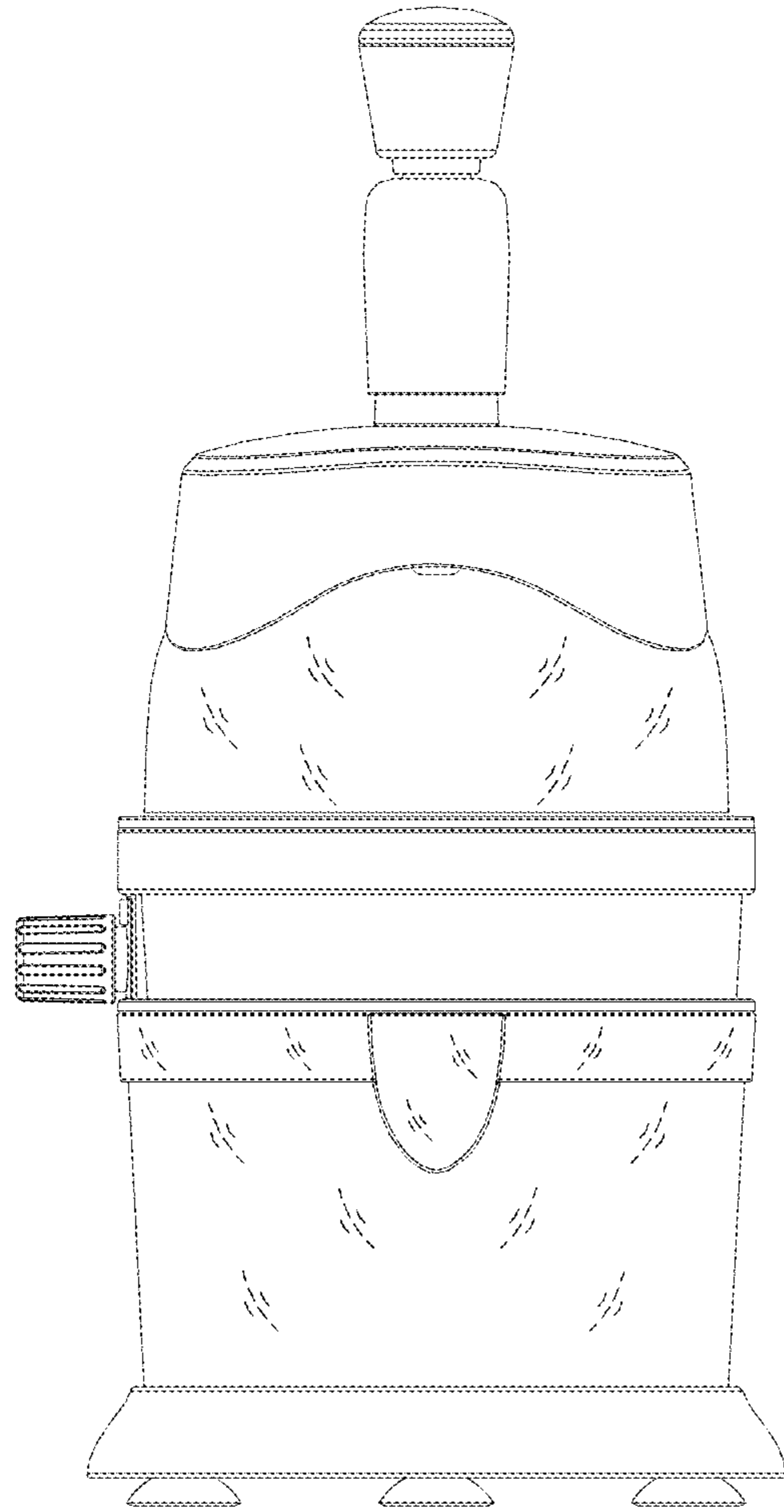


FIG. 2

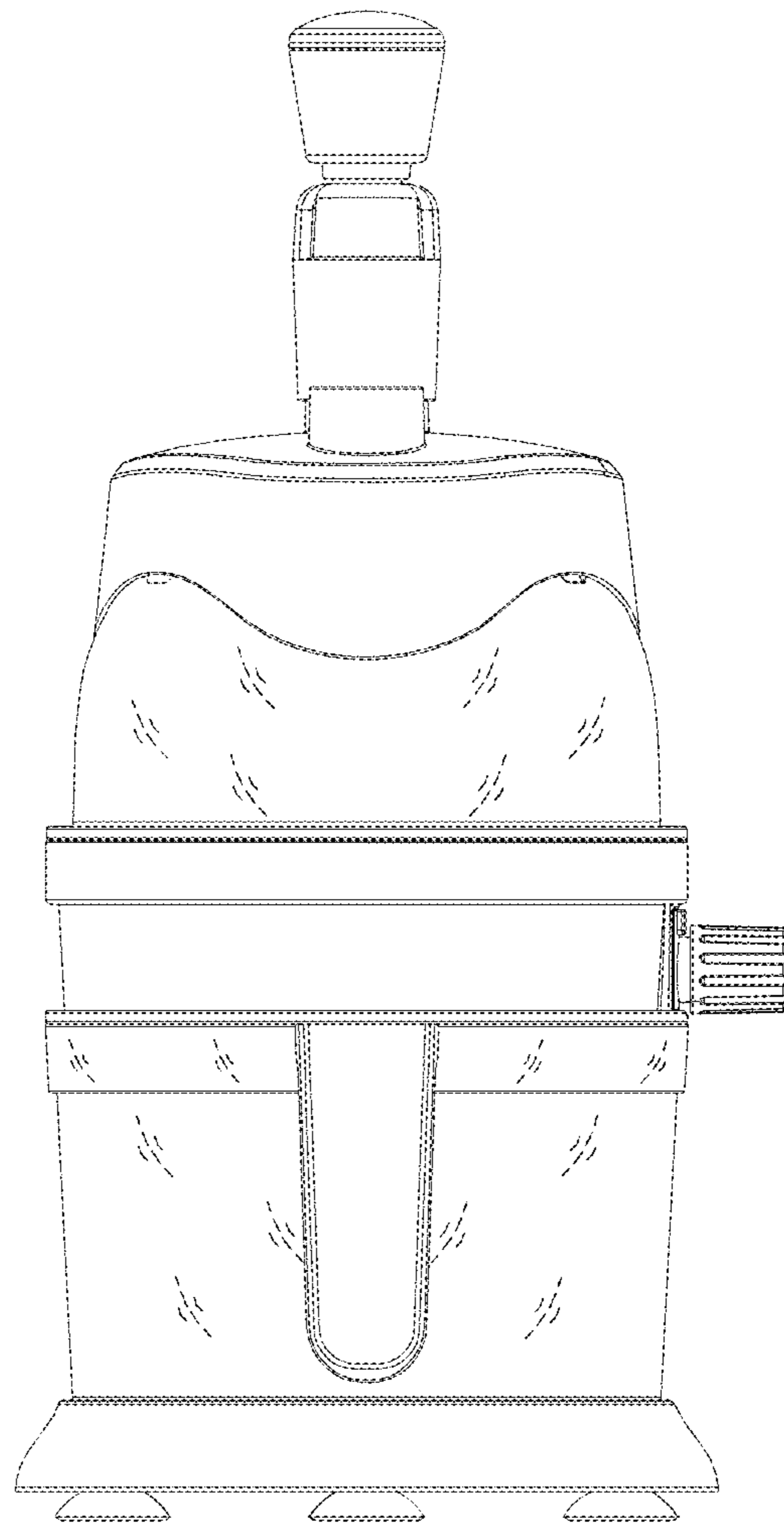


FIG. 3

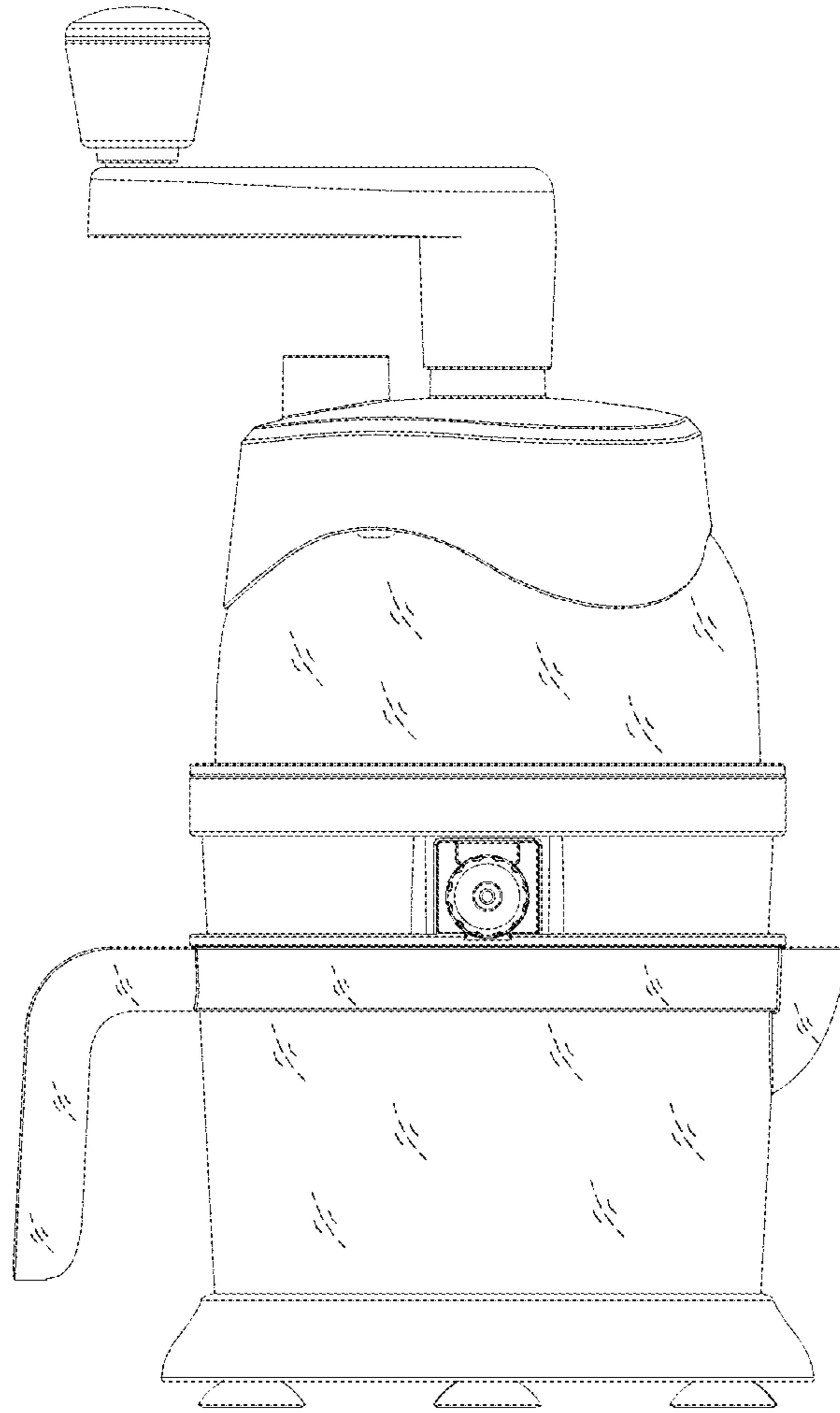


FIG. 4

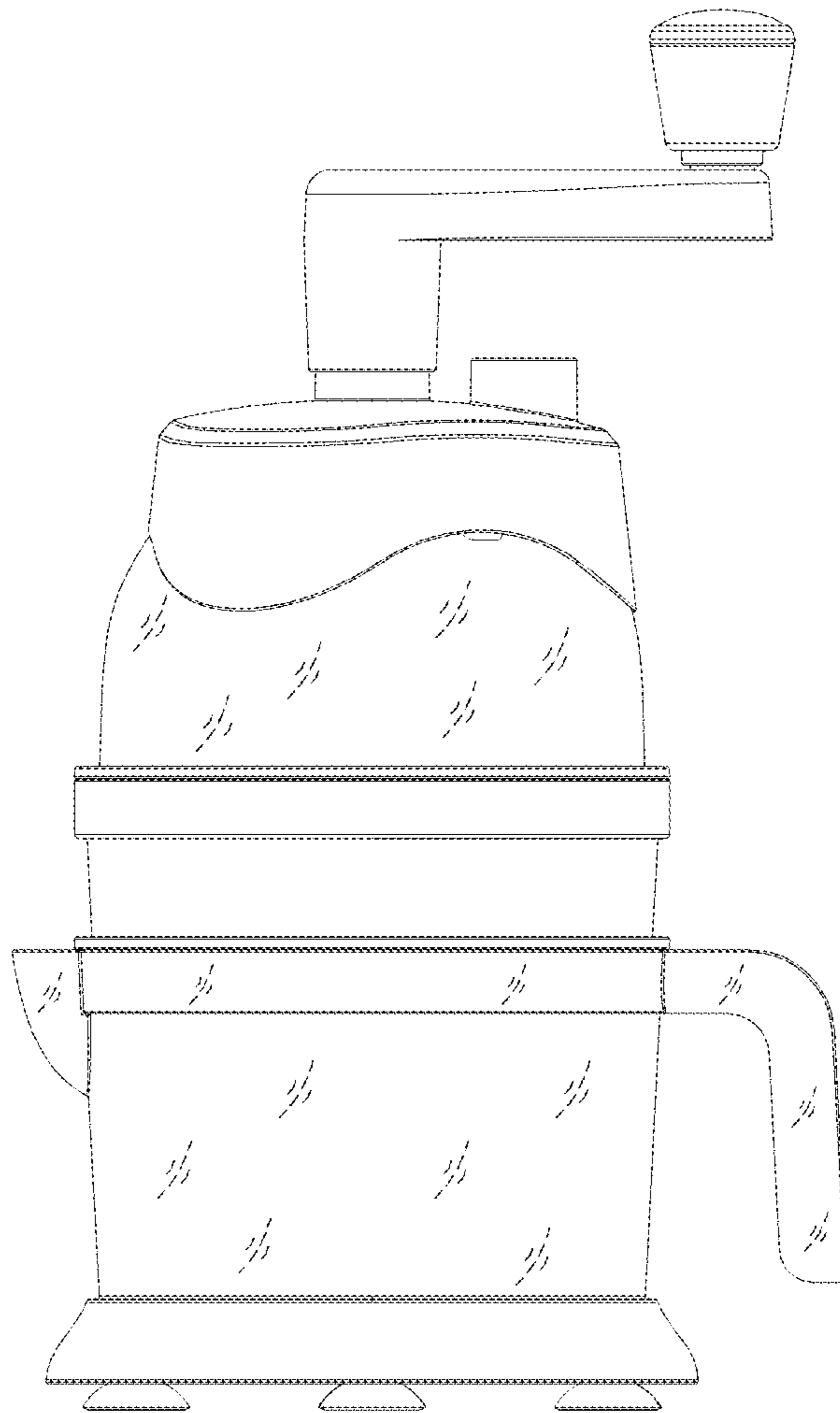


FIG. 5

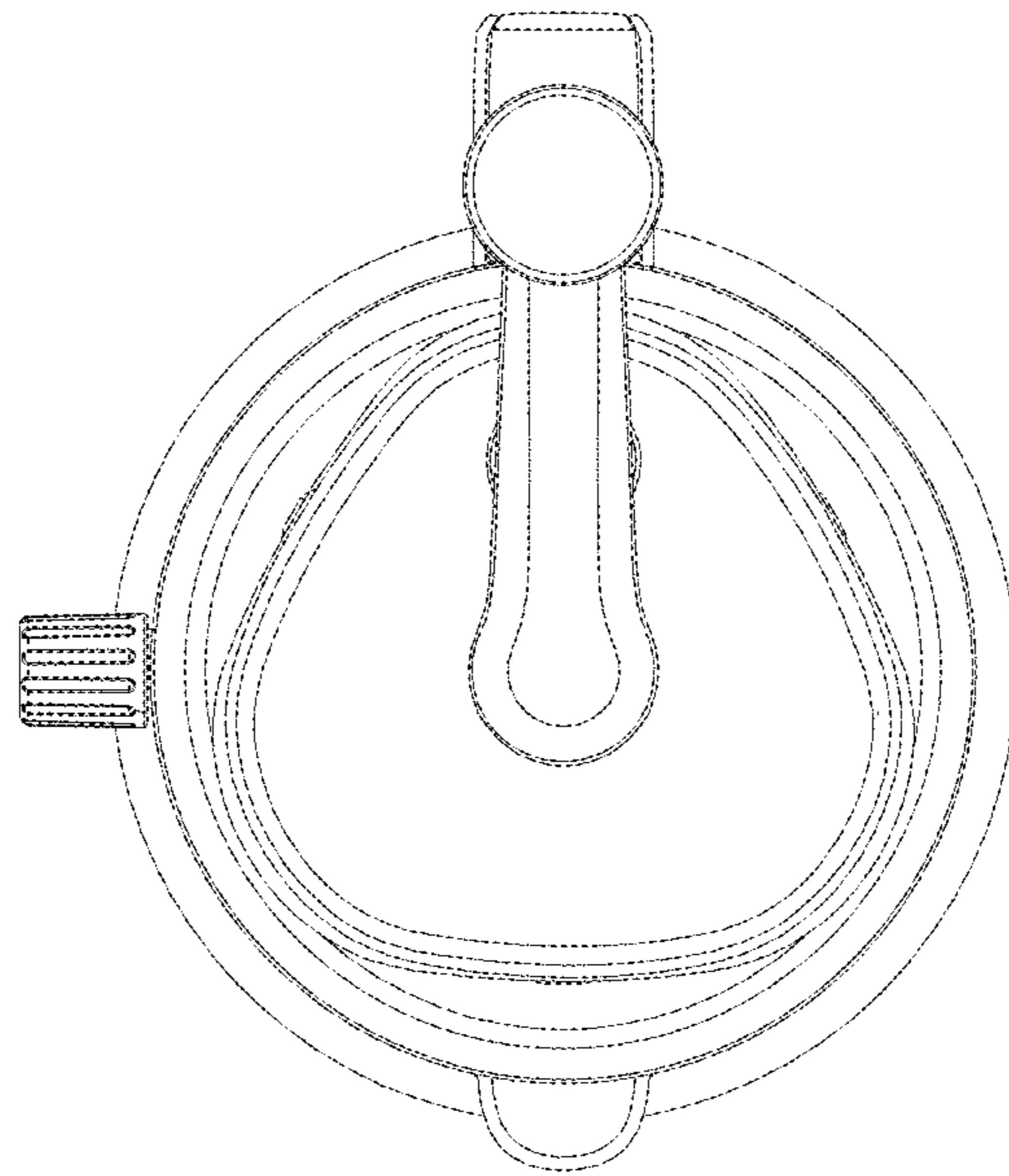


FIG. 6

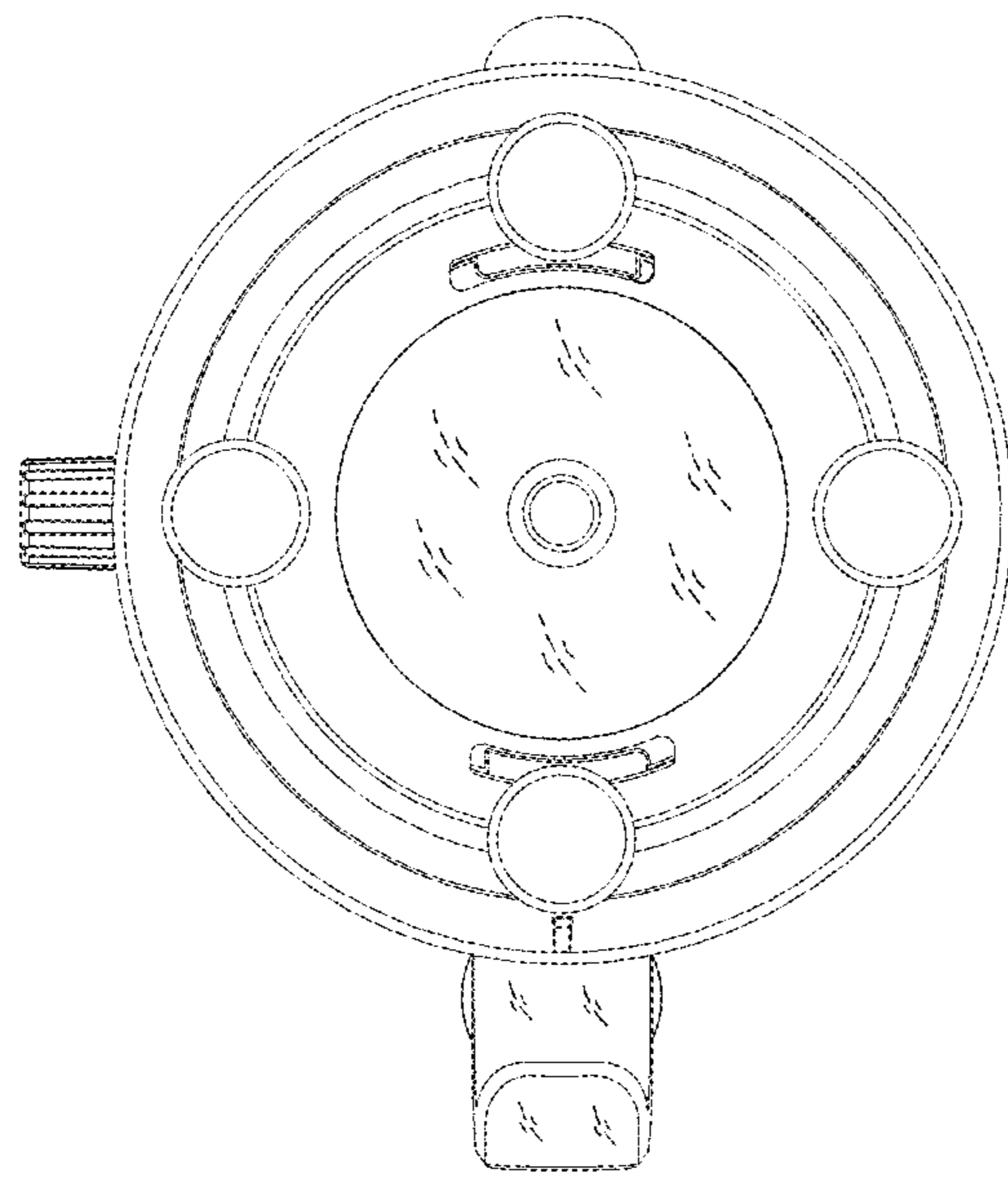


FIG. 7