



US00D833804S

(12) **United States Design Patent**
Huang et al.

(10) **Patent No.:** **US D833,804 S**

(45) **Date of Patent:** **** Nov. 20, 2018**

(54) **BLENDER AND CANISTER SET**

(71) Applicant: **Ningbo Borine Electric Appliance Co., Ltd.**, Ningbo, Zhejiang (CN)

(72) Inventors: **Zuming Huang**, Zhejiang (CN);
Zhineng Zhong, Zhejiang (CN)

(73) Assignee: **Ningbo Borine Electric Appliance Co., Ltd.**, Ningbo (CN)

(**) Term: **15 Years**

(21) Appl. No.: **29/609,943**

(22) Filed: **Jul. 7, 2017**

(30) **Foreign Application Priority Data**

Jun. 5, 2017 (CN) 2017 3 0223622

(51) **LOC (11) Cl.** **31-00**

(52) **U.S. Cl.**
USPC **D7/378; D7/376; D7/386; D7/412;**
D7/413

(58) **Field of Classification Search**

USPC D7/372, 376-386, 412-413, 602, 629,
D7/665-666, 669, 679, 693-694
CPC A21C 1/02; A21C 1/04; A23N 1/00; A23N
1/02; A47J 43/04; A47J 43/25; A47J
43/27; A47J 43/042; A47J 43/044; A47J
43/046; A47J 43/075; A47J 43/0722;
A47J 43/0727;

(Continued)

(56) **References Cited**

U.S. PATENT DOCUMENTS

D466,759 S * 12/2002 Moore D7/378
D556,506 S * 12/2007 Spagnolo D7/378

(Continued)

Primary Examiner — Ricky Pham

(57) **CLAIM**

The ornamental design for a blender and canister set, as shown and described.

DESCRIPTION

FIG. 1 is a perspective view of a blender and canister set showing our new design;

FIG. 2 is a front elevational view of the blender and first canister;

FIG. 3 is a rear elevational view of FIG. 2;

FIG. 4 is a left side view of FIG. 2;

FIG. 5 is a right side view of FIG. 2;

FIG. 6 is a top plan view of FIG. 2;

FIG. 7 is a first perspective view of FIG. 2;

FIG. 8 is a second perspective view of FIG. 2;

FIG. 9 is a front elevational view of the second canister, shown separately for clarity and completeness of disclosure;

FIG. 10 is a left side view of FIG. 9;

FIG. 11 is a right side view of FIG. 9;

FIG. 12 is a top plan view of FIG. 9;

FIG. 13 is a bottom plan view of FIG. 9;

FIG. 14 is a first perspective view of FIG. 9;

FIG. 15 is a second perspective view of FIG. 9;

FIG. 16 is a front elevational view of the third canister, shown separately for clarity and completeness of disclosure;

FIG. 17 is a top plan view of FIG. 16;

FIG. 18 is a bottom plan view of FIG. 16;

FIG. 19 is a first perspective view of FIG. 16;

FIG. 20 is a second perspective view of FIG. 16;

FIG. 21 is a front elevational view of the fourth canister, shown separately for clarity and completeness of disclosure;

FIG. 22 is a top plan view of FIG. 21;

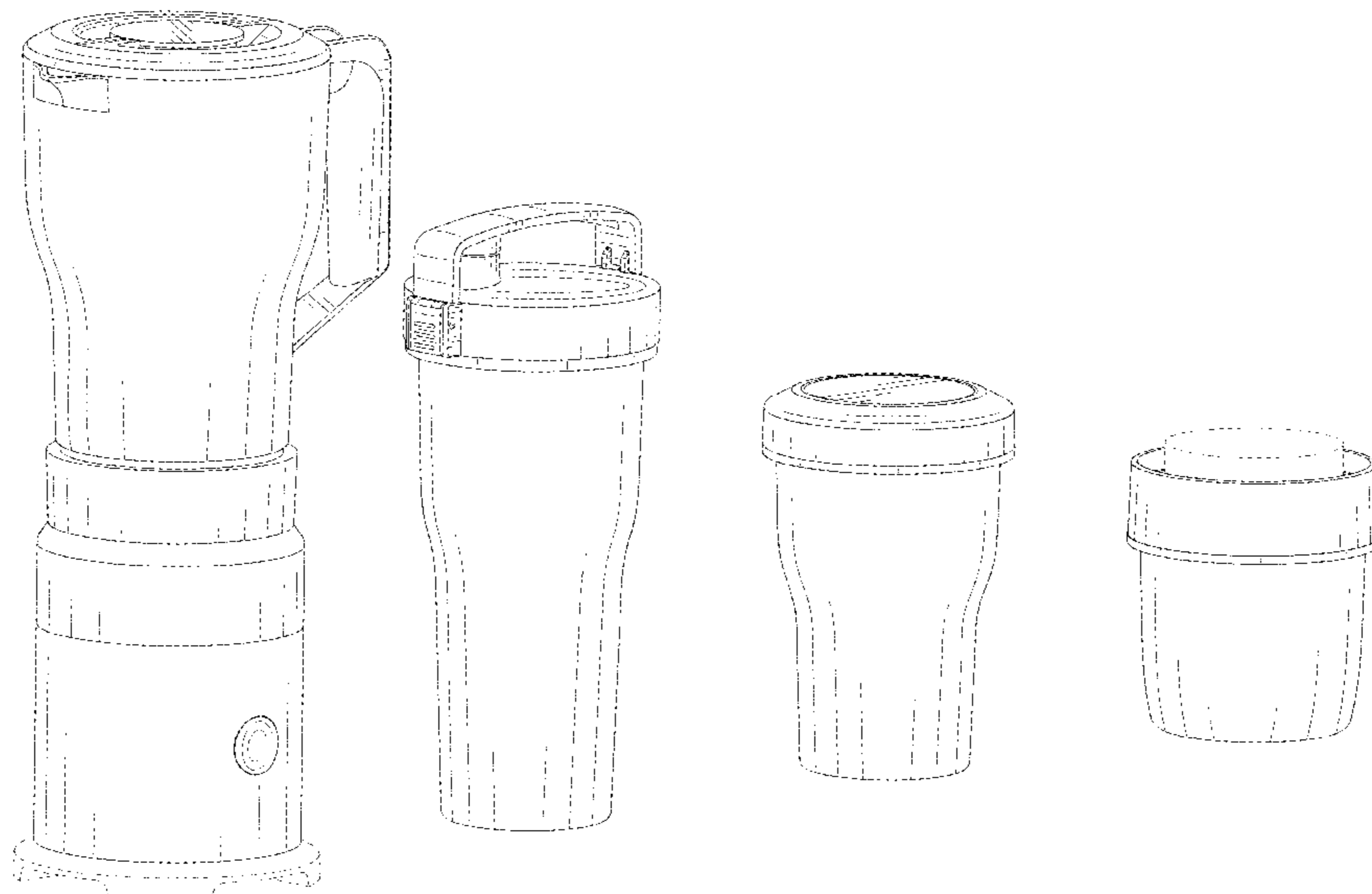
FIG. 23 is a bottom plan view of FIG. 21;

FIG. 24 is a first perspective view of FIG. 21; and,

FIG. 25 is a second perspective view of FIG. 21.

The broken lines in the drawings illustrate portions of the blender and canister set which form no part of the claimed design.

1 Claim, 25 Drawing Sheets



(58) **Field of Classification Search**

CPC B01F 3/00; B01F 3/0807; B01F 3/0853;
B01F 13/0059; B01F 13/0064; B02C
1/08; B02C 2/04; B02C 4/42; B02C
4/142; B02C 4/143; B02C 4/423; B02C
13/1835; B28C 5/10; B28C 5/12; B28C
5/14; B28C 5/16

See application file for complete search history.

(56) **References Cited**

U.S. PATENT DOCUMENTS

D629,643	S	*	12/2010	Bower	D7/376
D728,302	S	*	5/2015	Vu	D7/376
D731,235	S	*	6/2015	Bradley	D7/376
D747,135	S	*	1/2016	Ha	D7/376
D747,915	S	*	1/2016	Kim	D7/372
D776,973	S	*	1/2017	Du	D7/376
D782,866	S	*	4/2017	Suess	D7/376
D793,803	S	*	8/2017	Patel	D7/376
D815,886	S	*	4/2018	Huang	D7/378
D816,395	S	*	5/2018	Huang	A47J 43/0727 D7/378
2016/0130052	A1	*	5/2016	Stenglein	A47J 43/0727 220/212

* cited by examiner

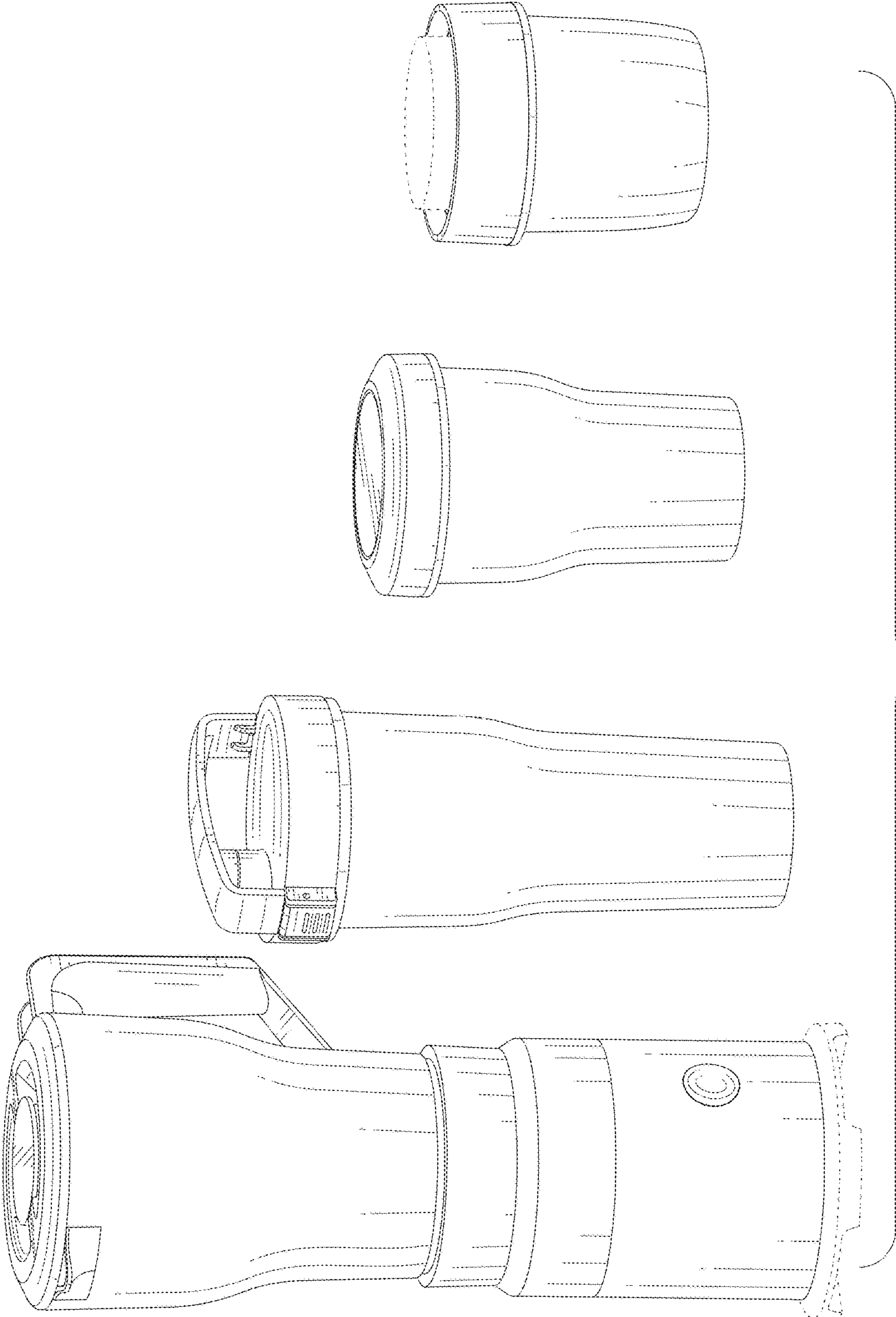


FIG. 1

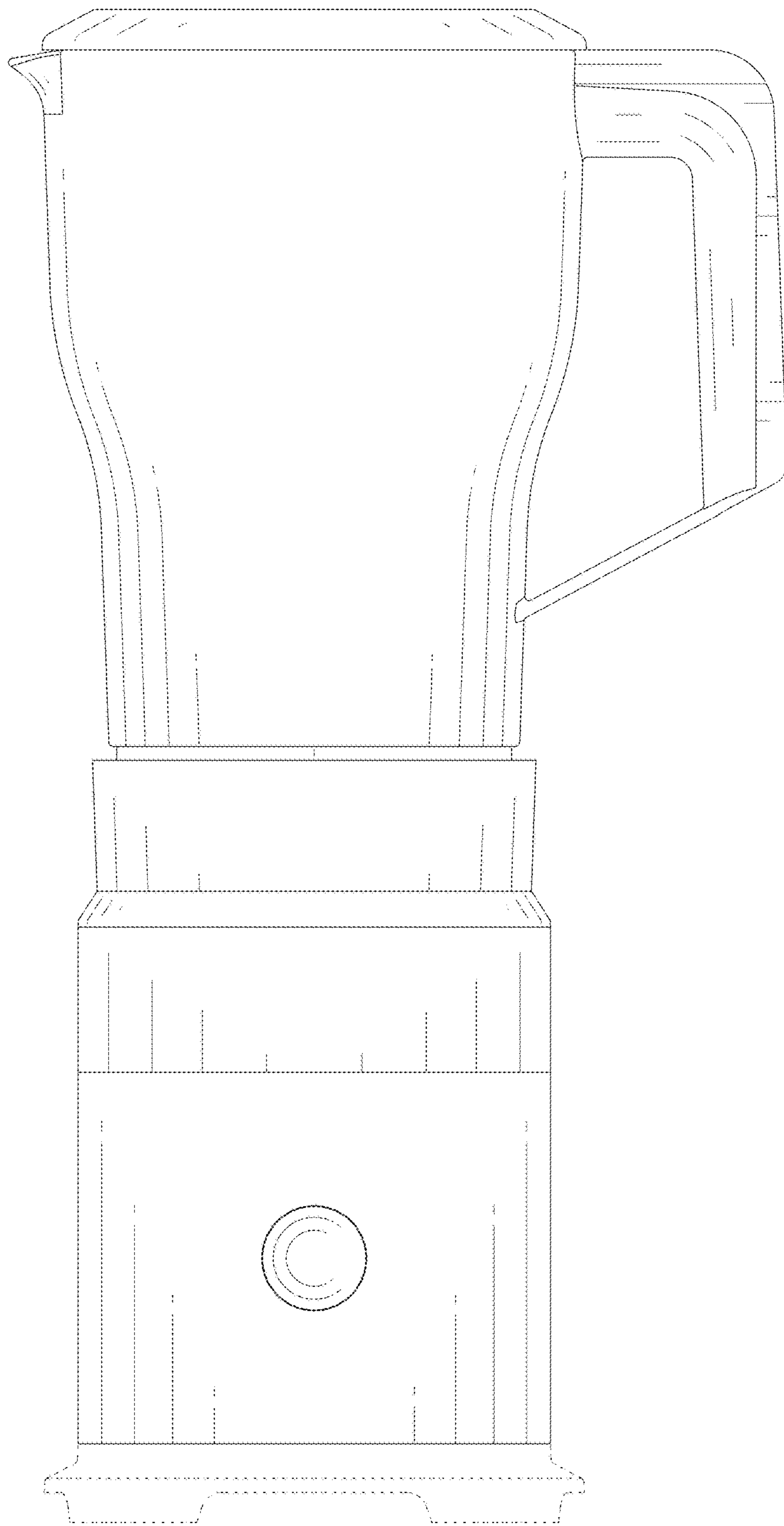


FIG. 2

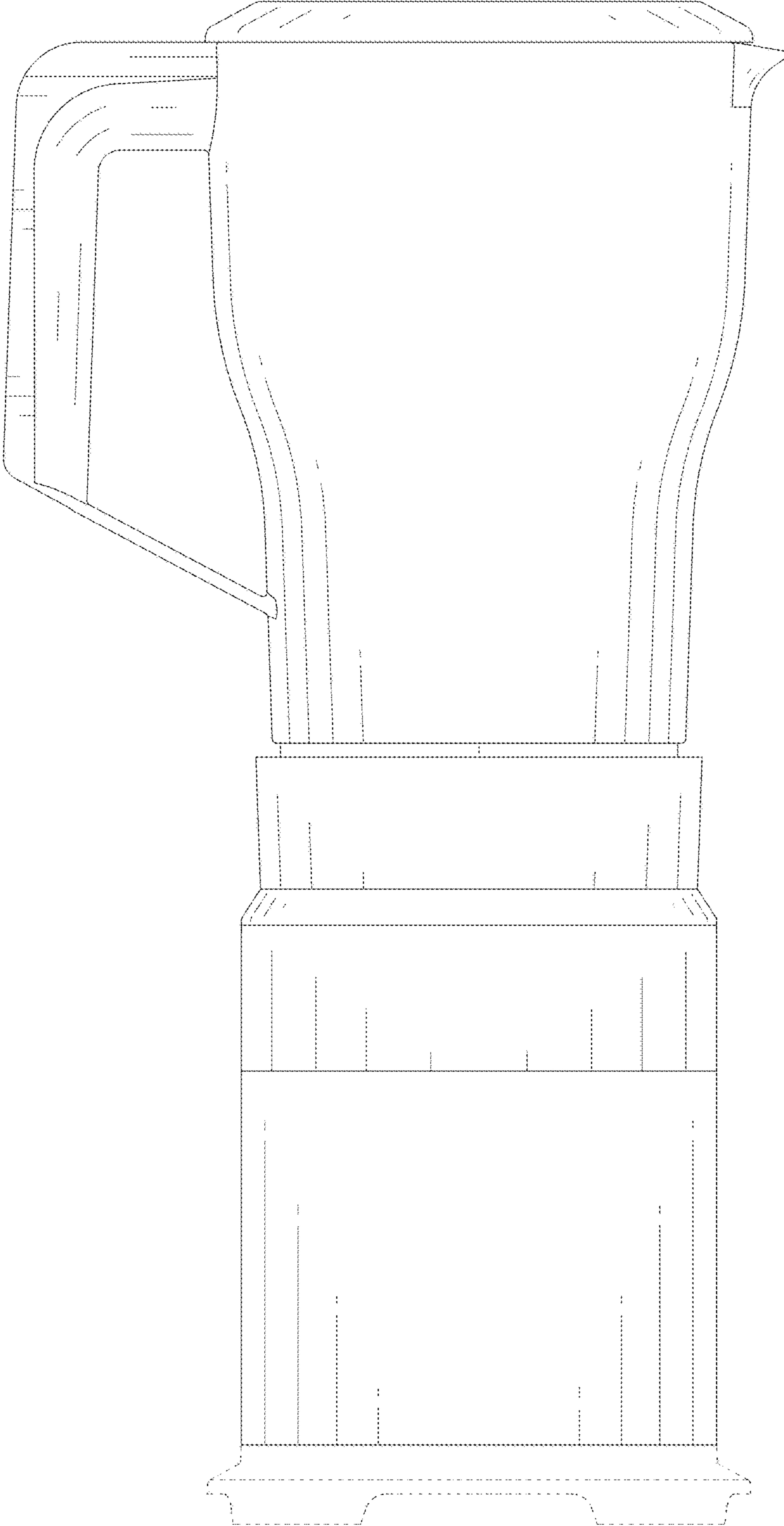


FIG. 3

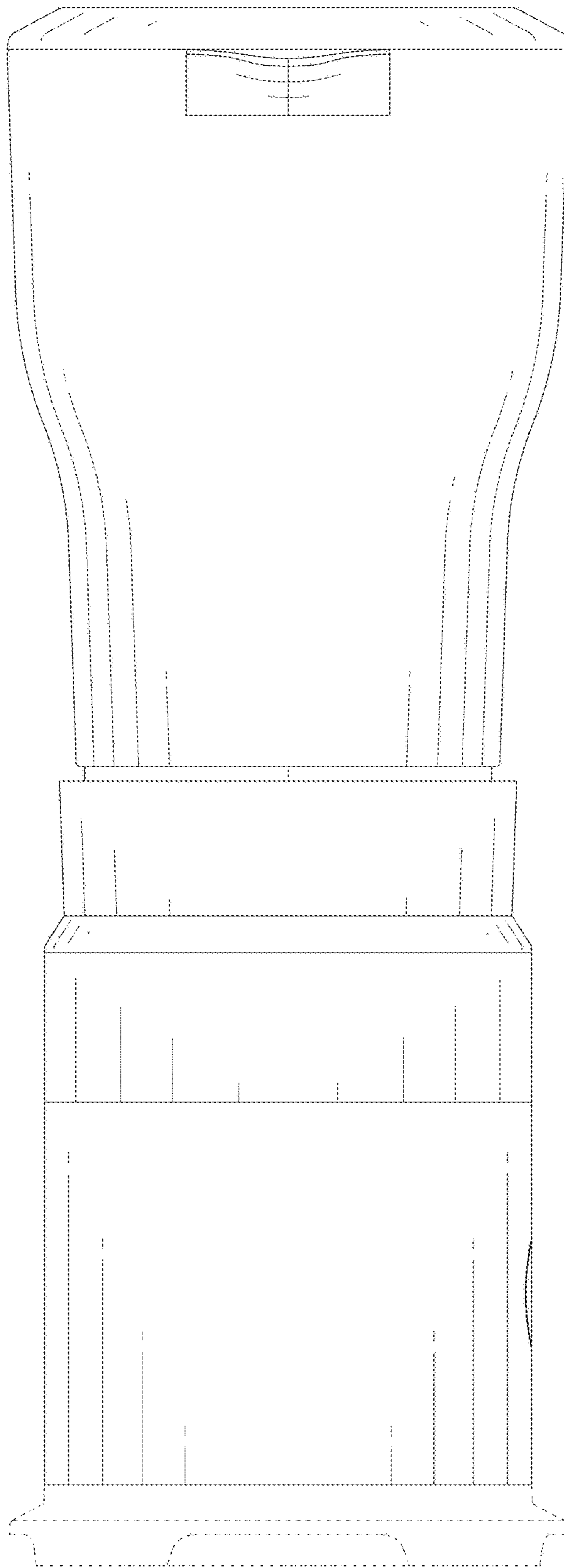


FIG. 4

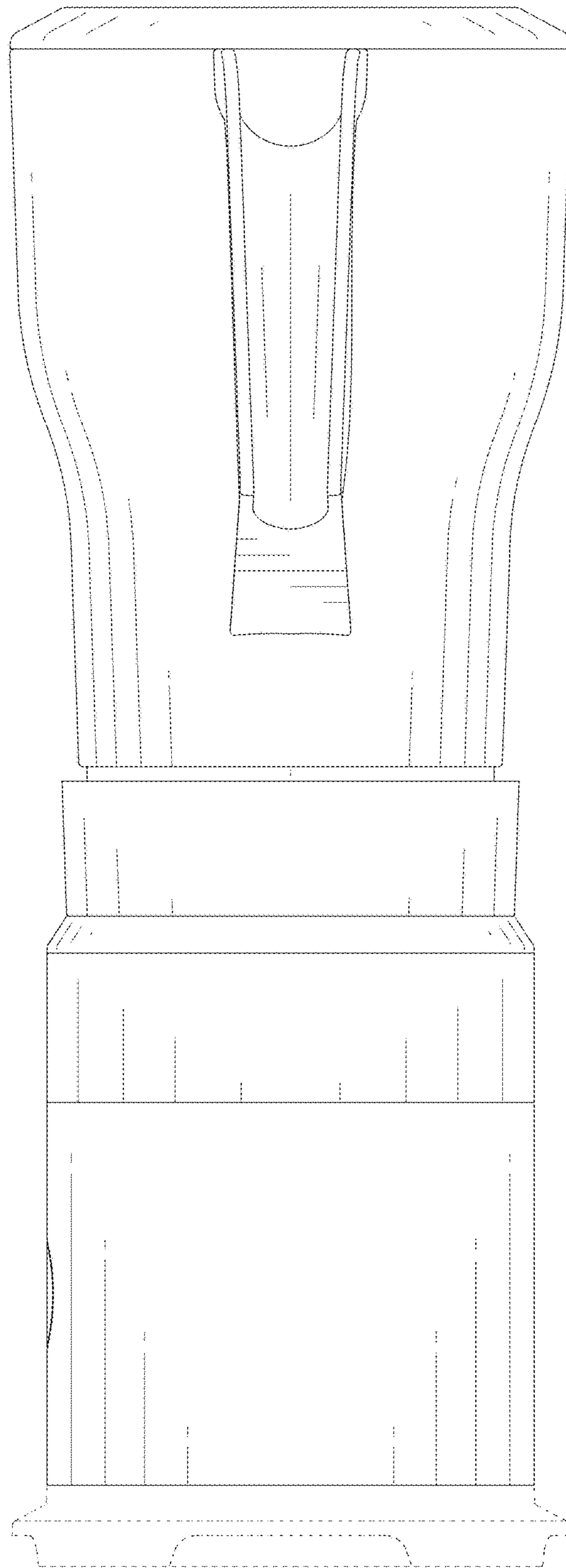


FIG. 5

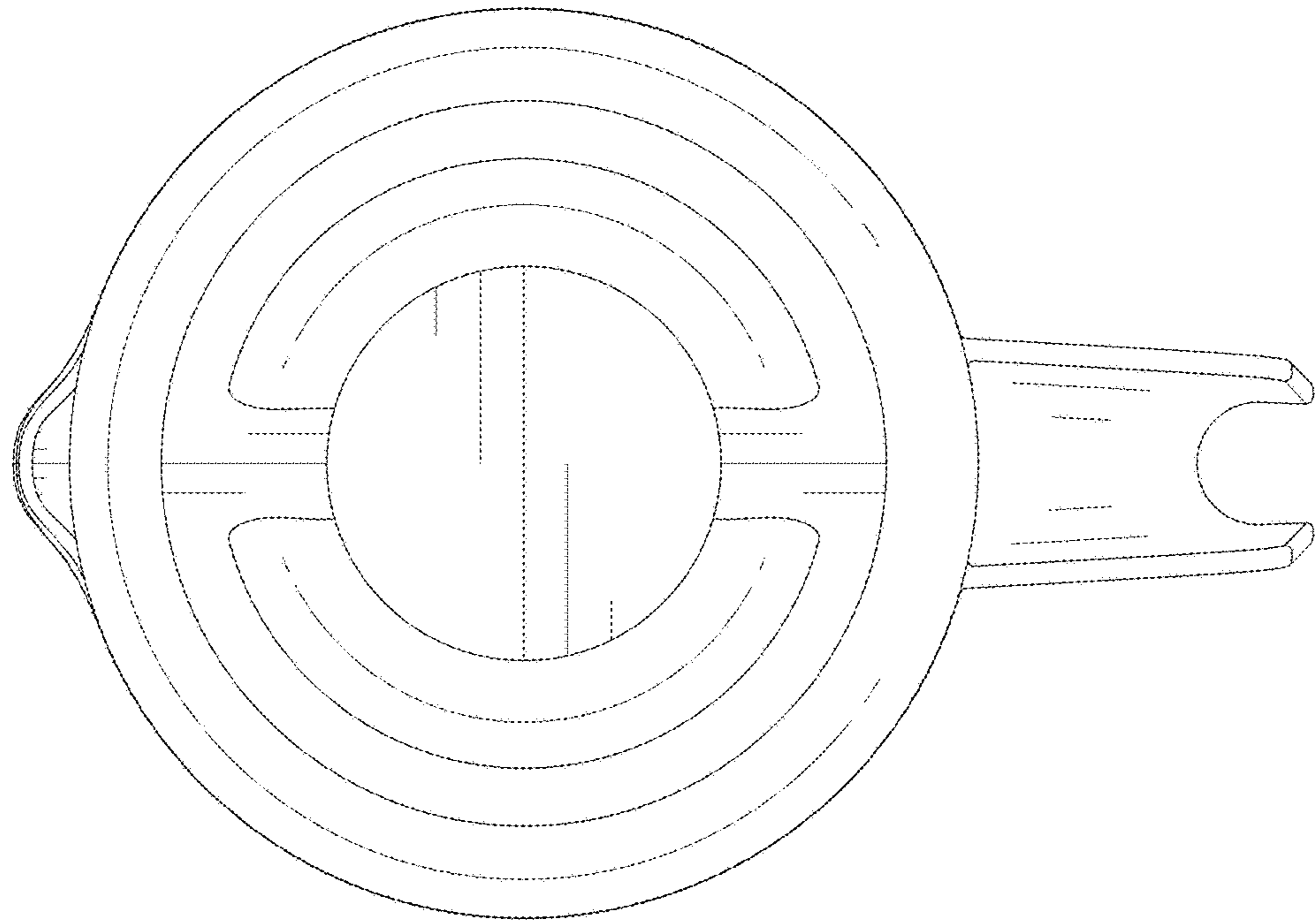


FIG. 6

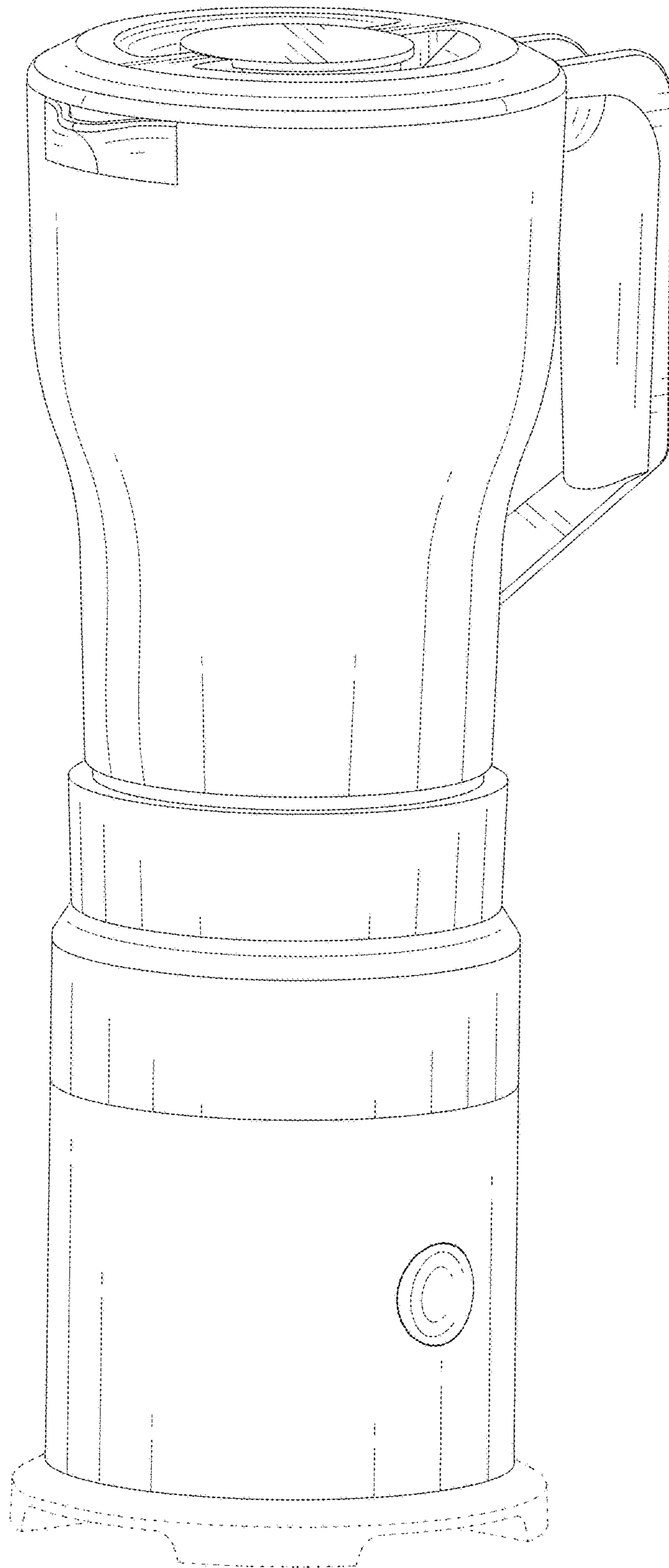


FIG. 7

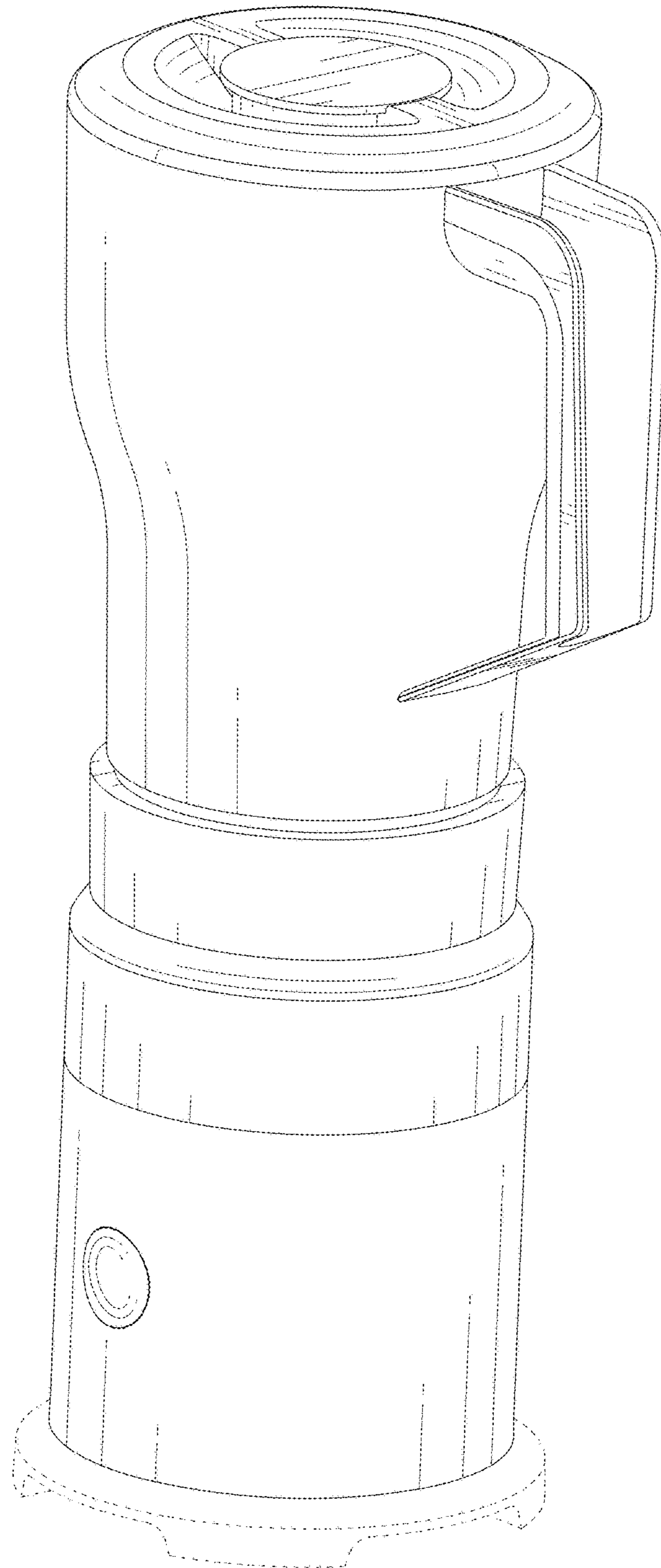


FIG. 8

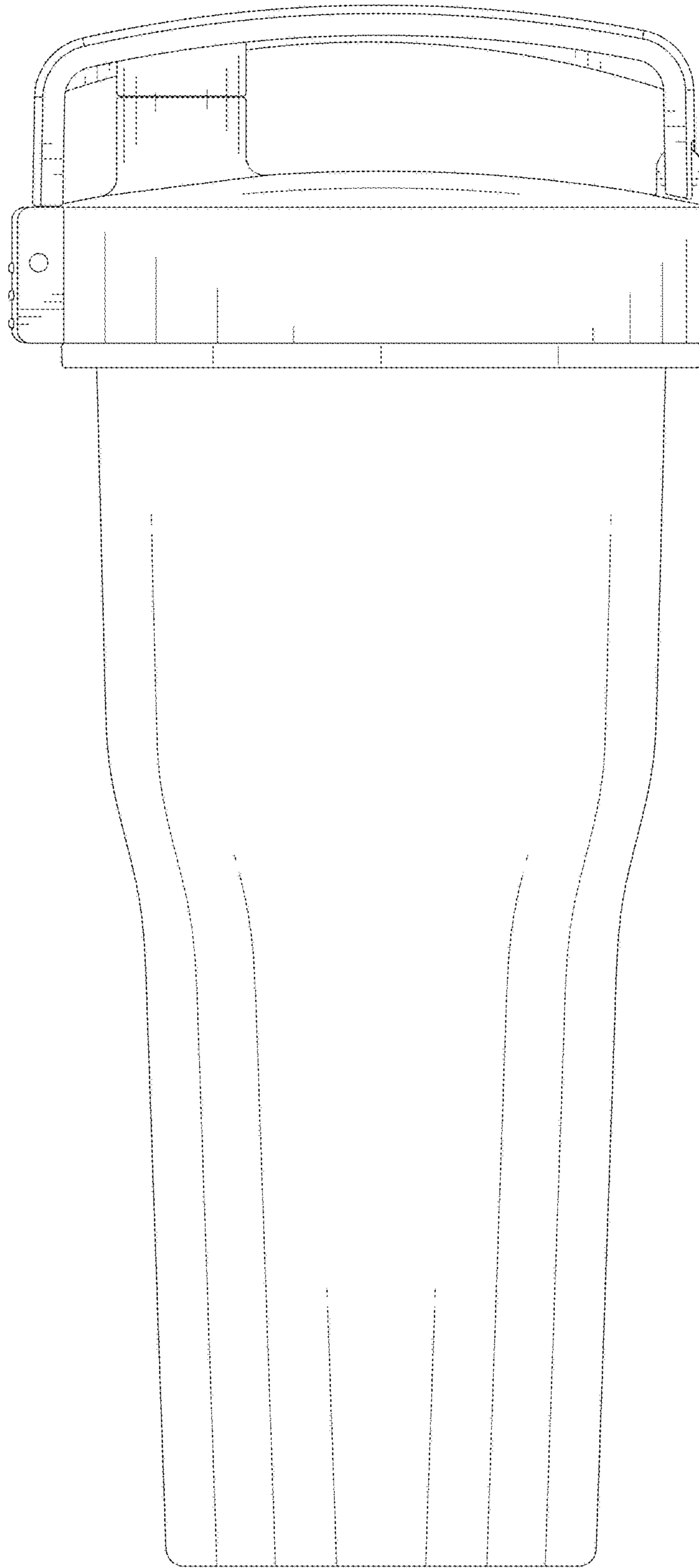


FIG. 9

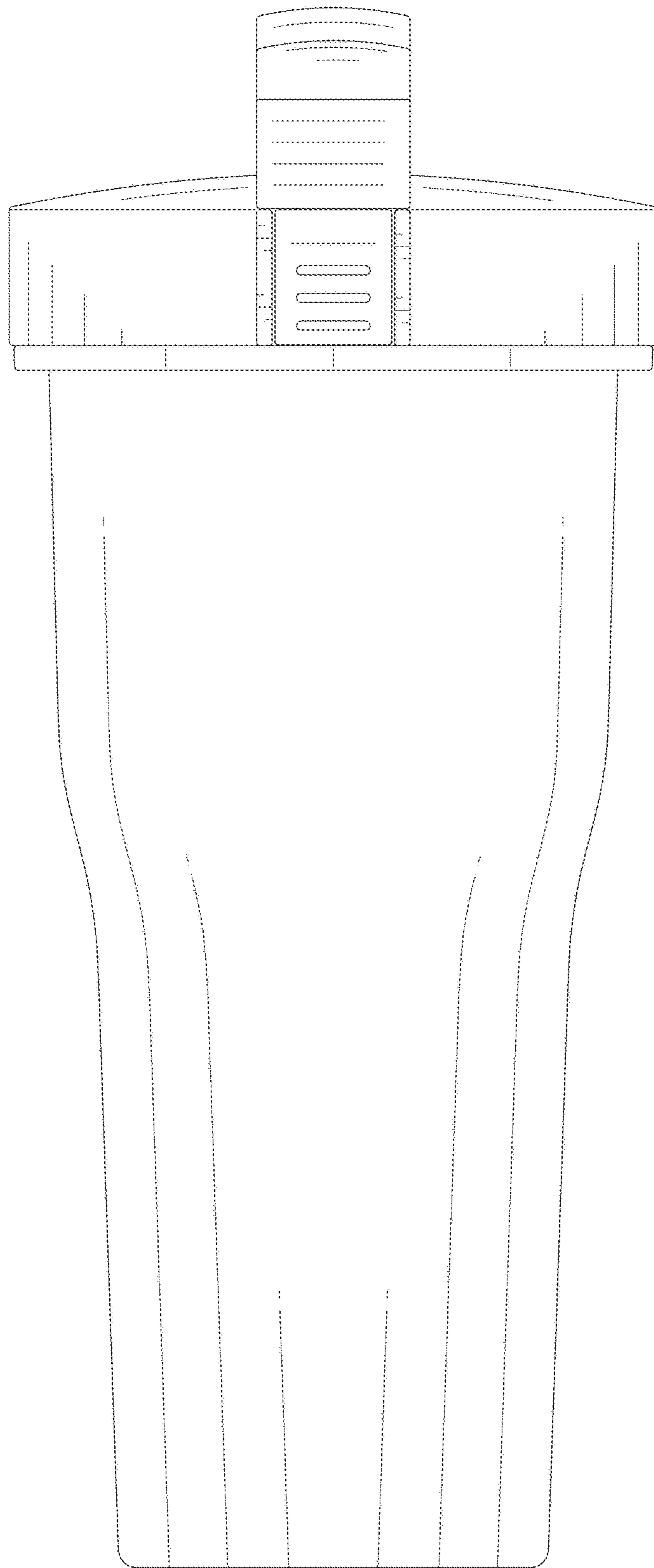


FIG. 10

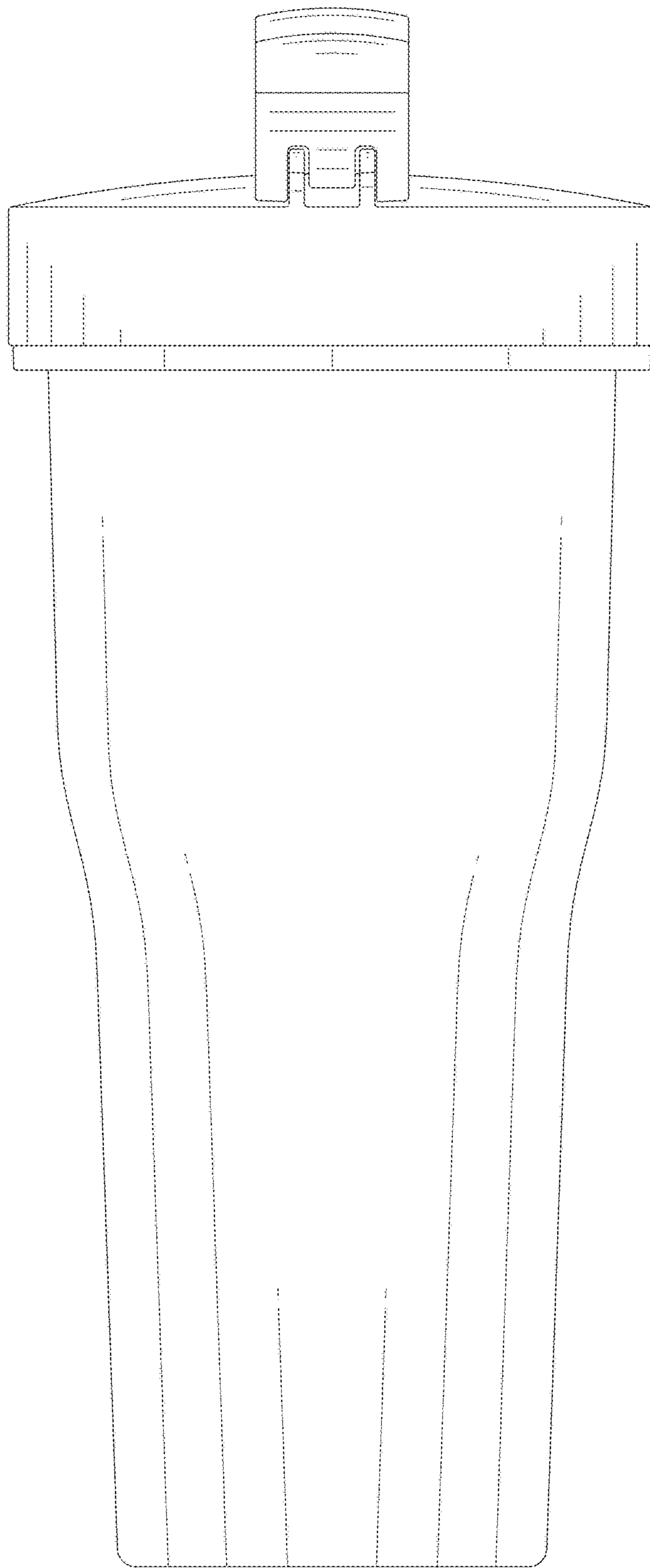


FIG. 11

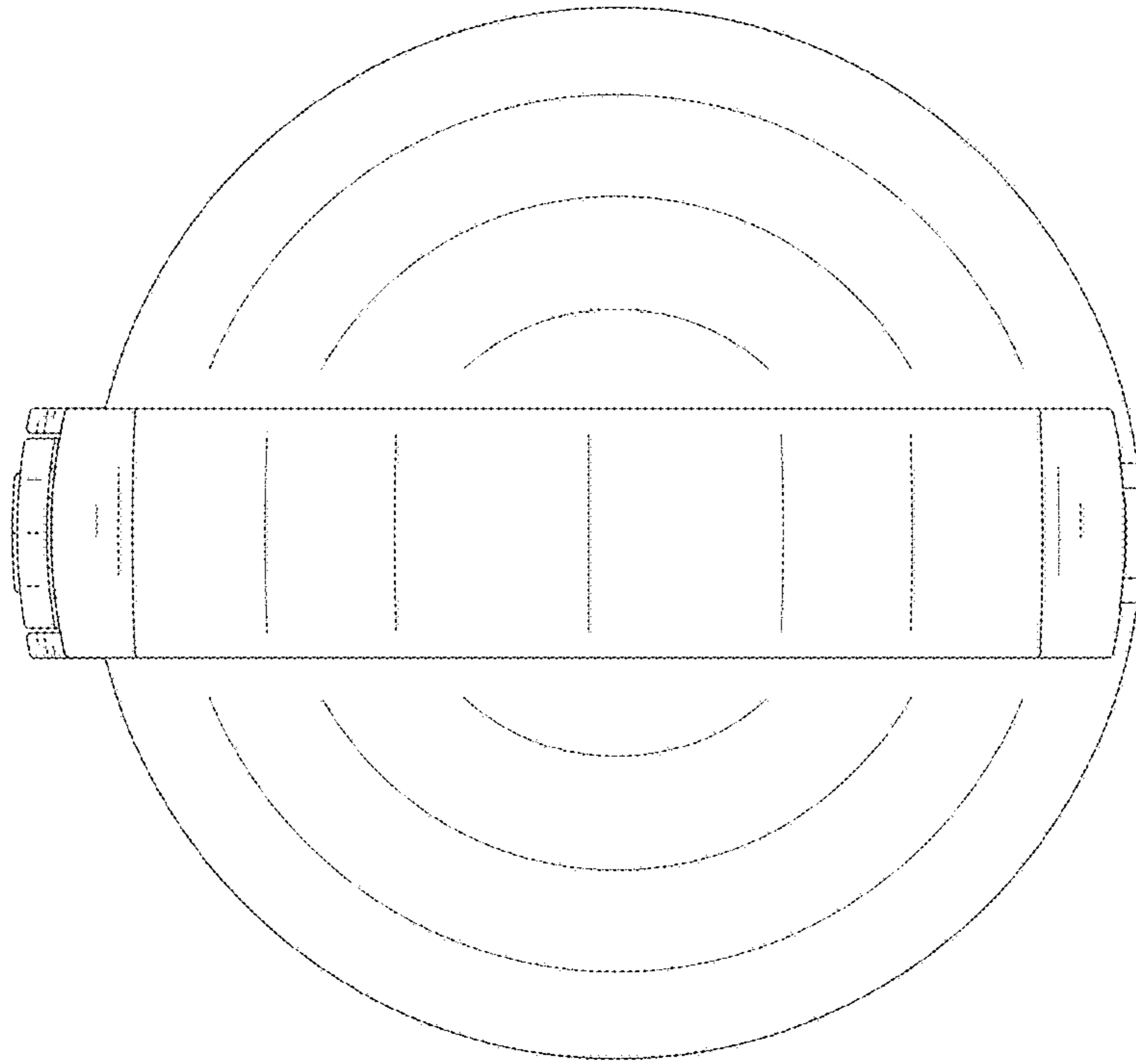


FIG. 12

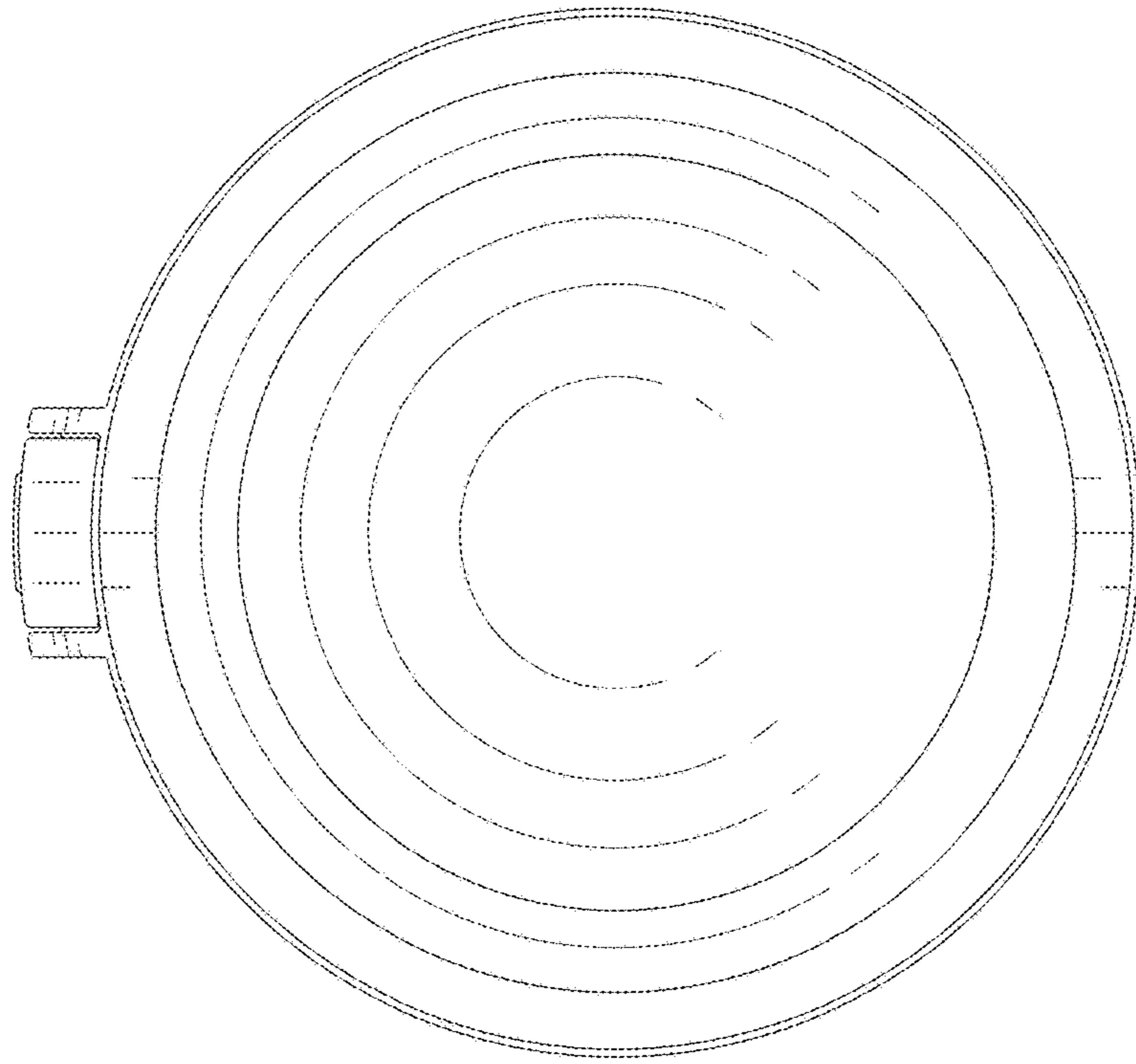


FIG.13

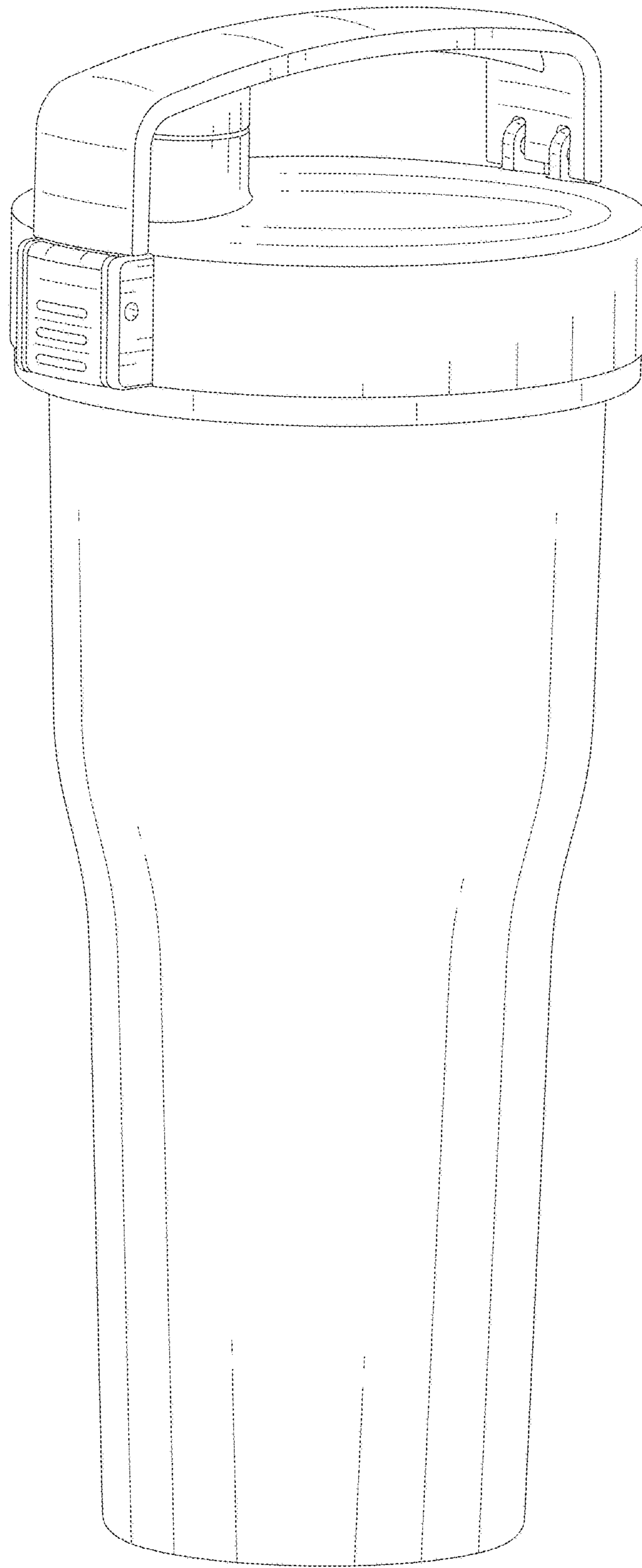


FIG.14

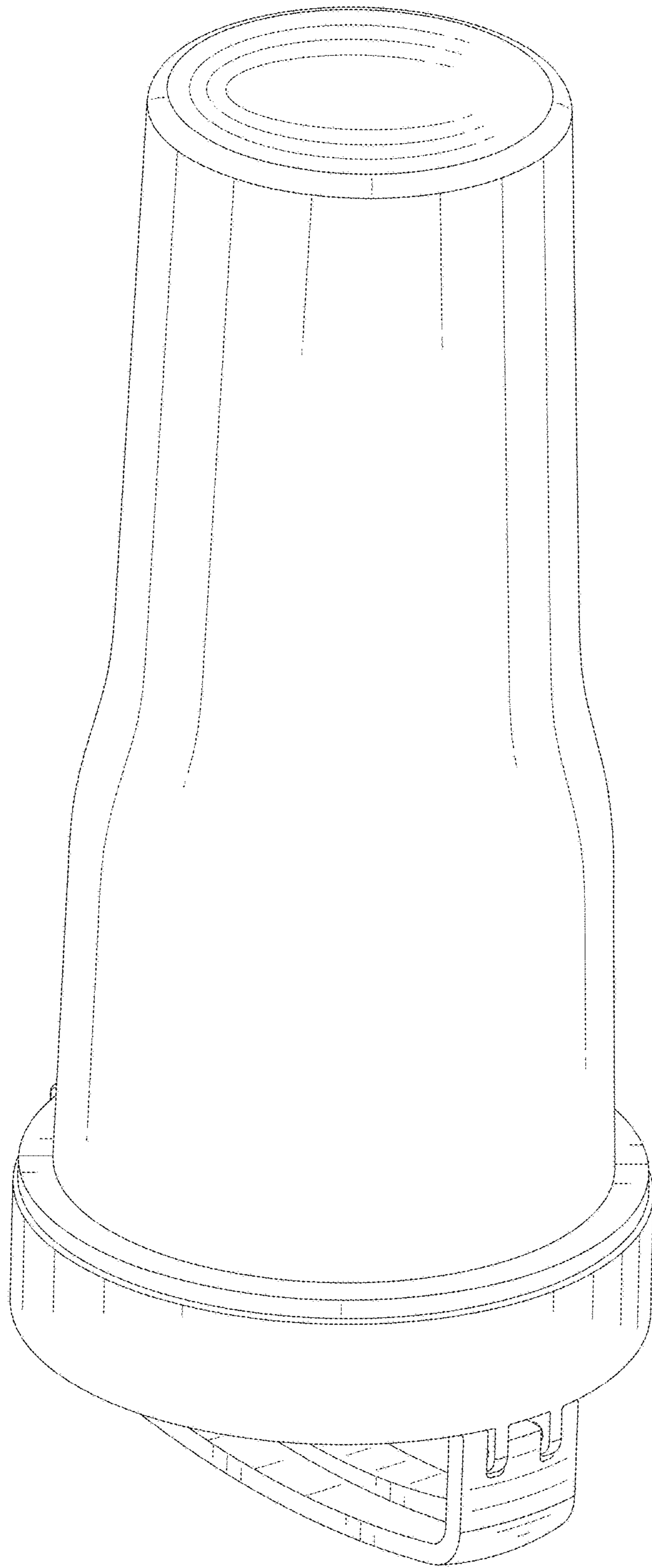


FIG. 15

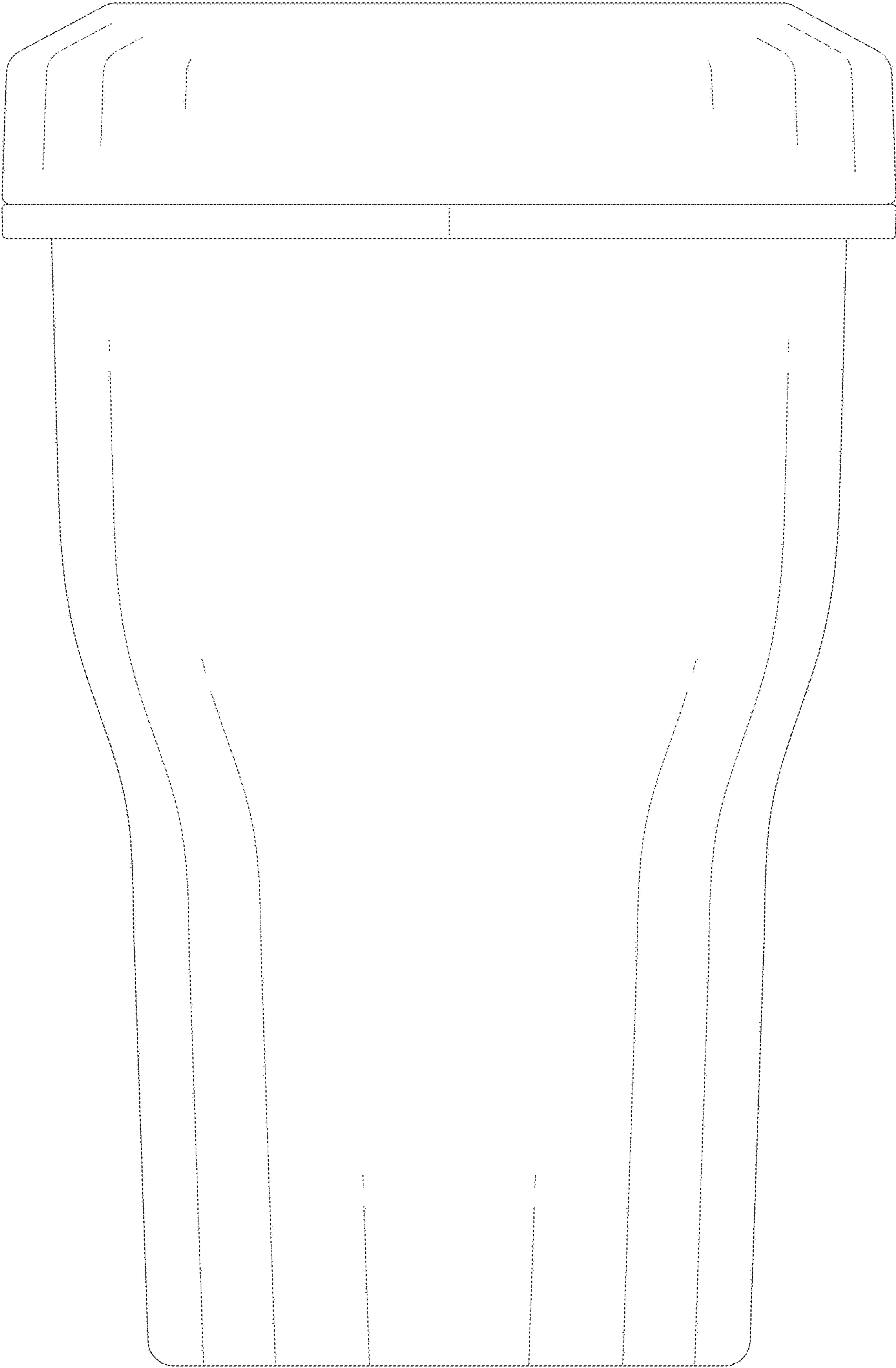


FIG.16

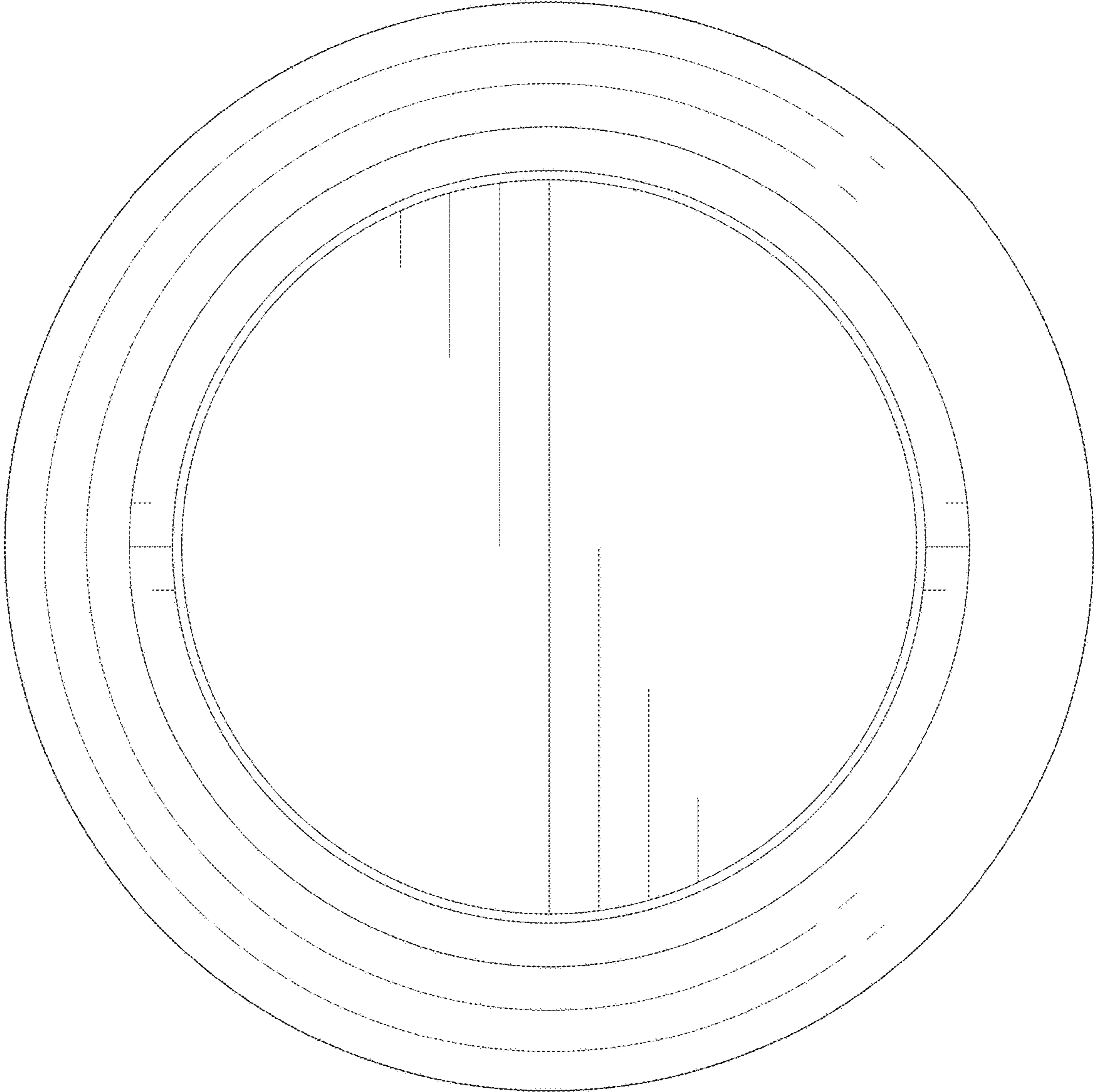


FIG.17

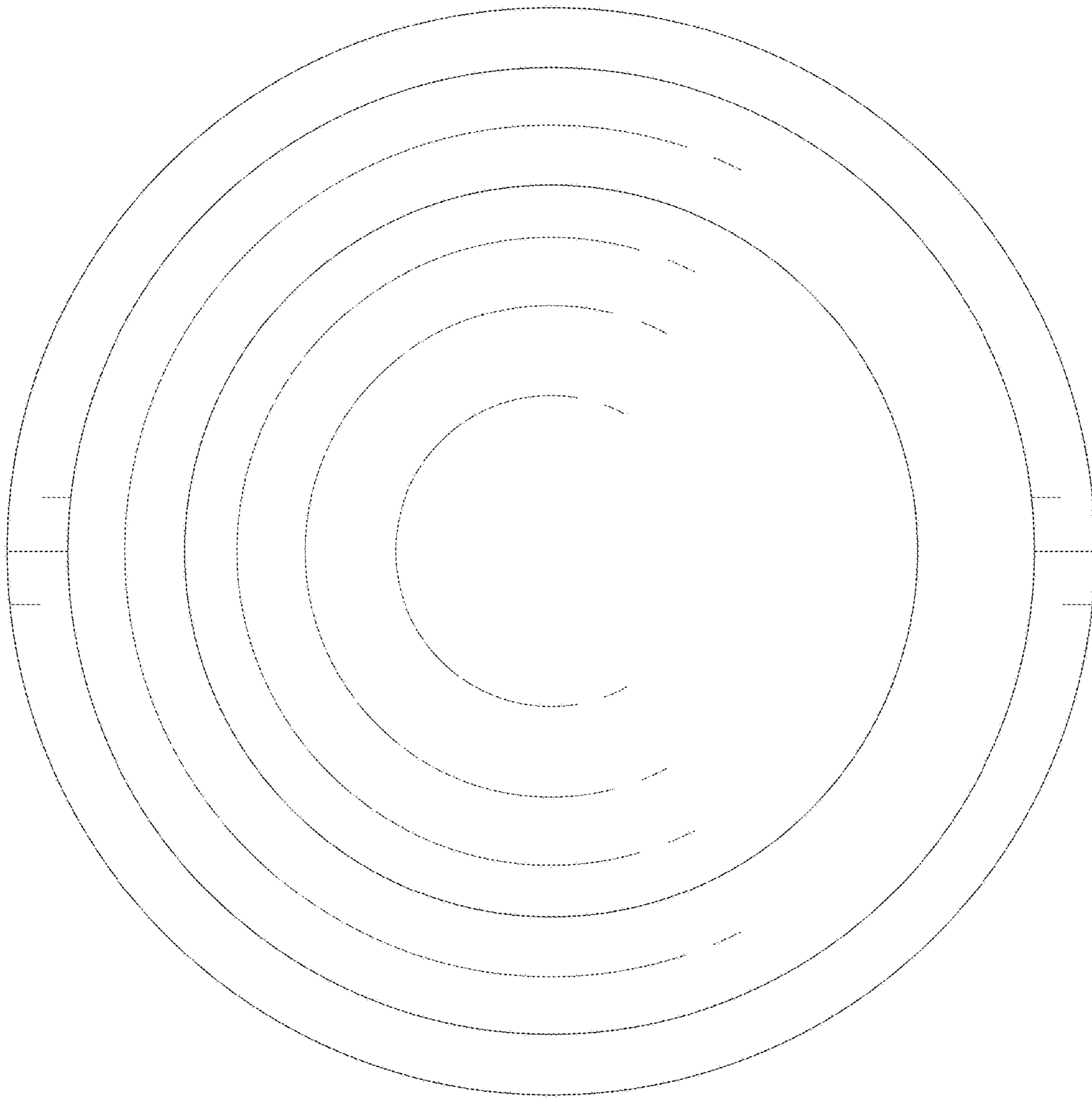


FIG.18

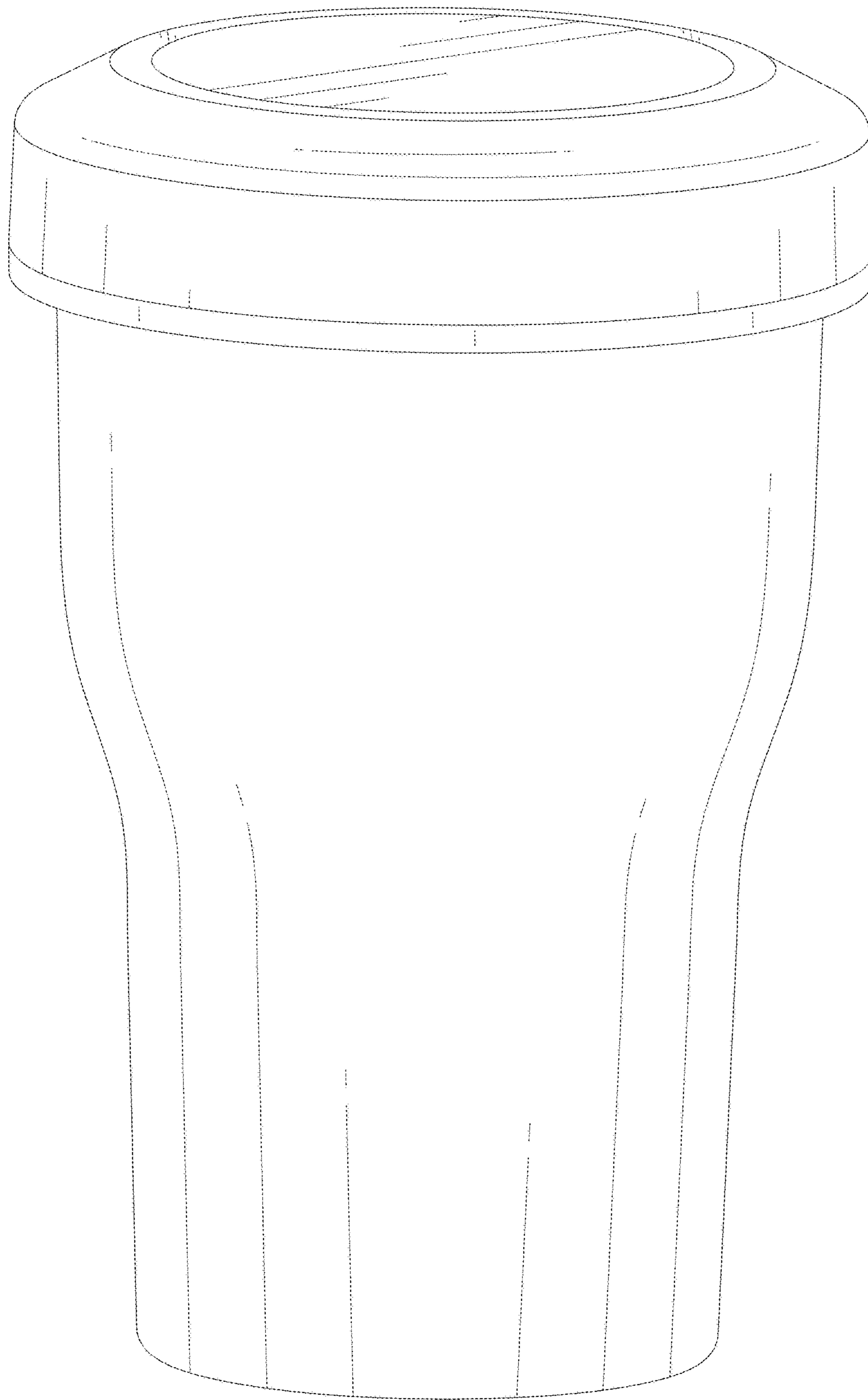


FIG. 19



FIG. 20

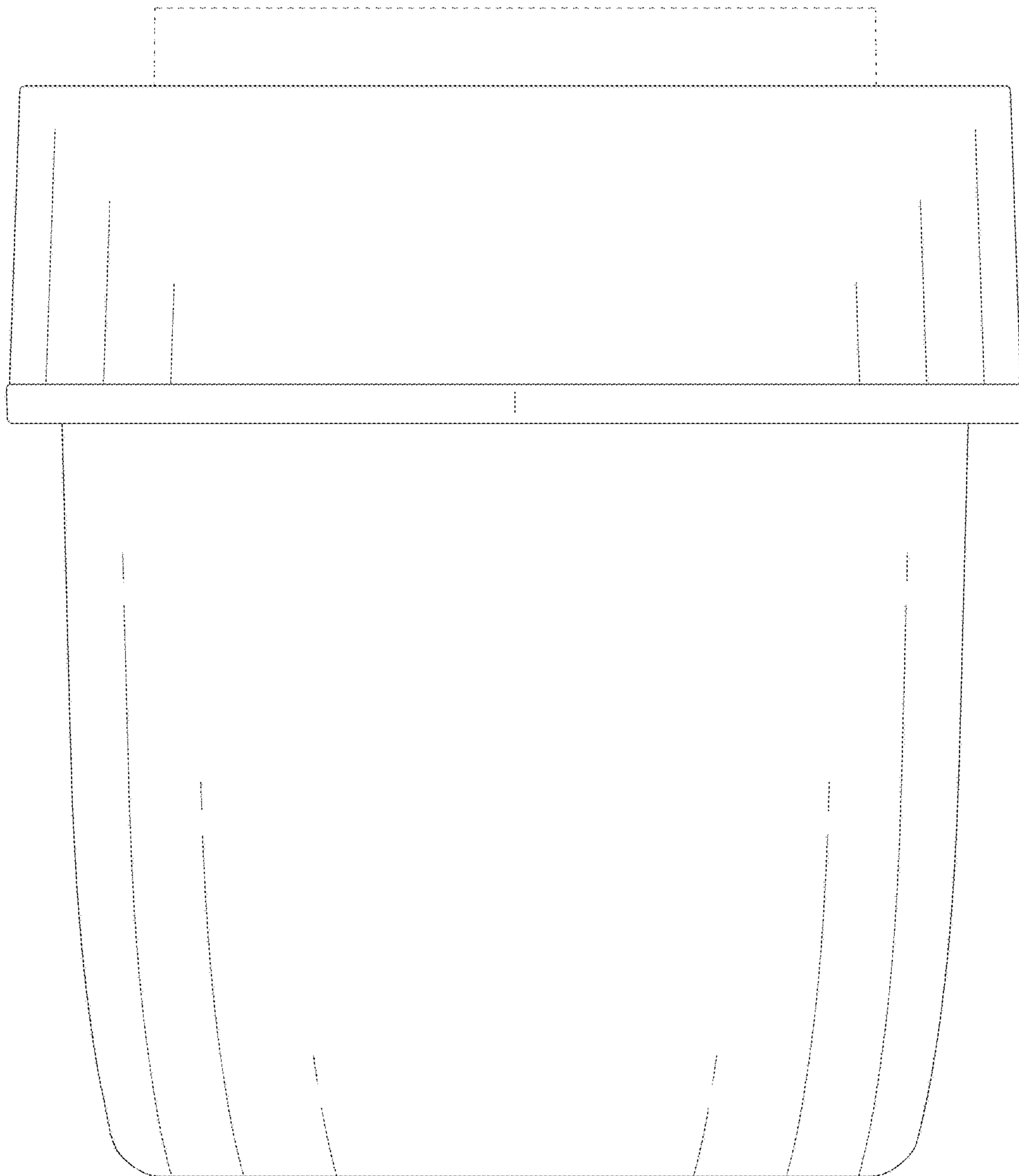


FIG. 21

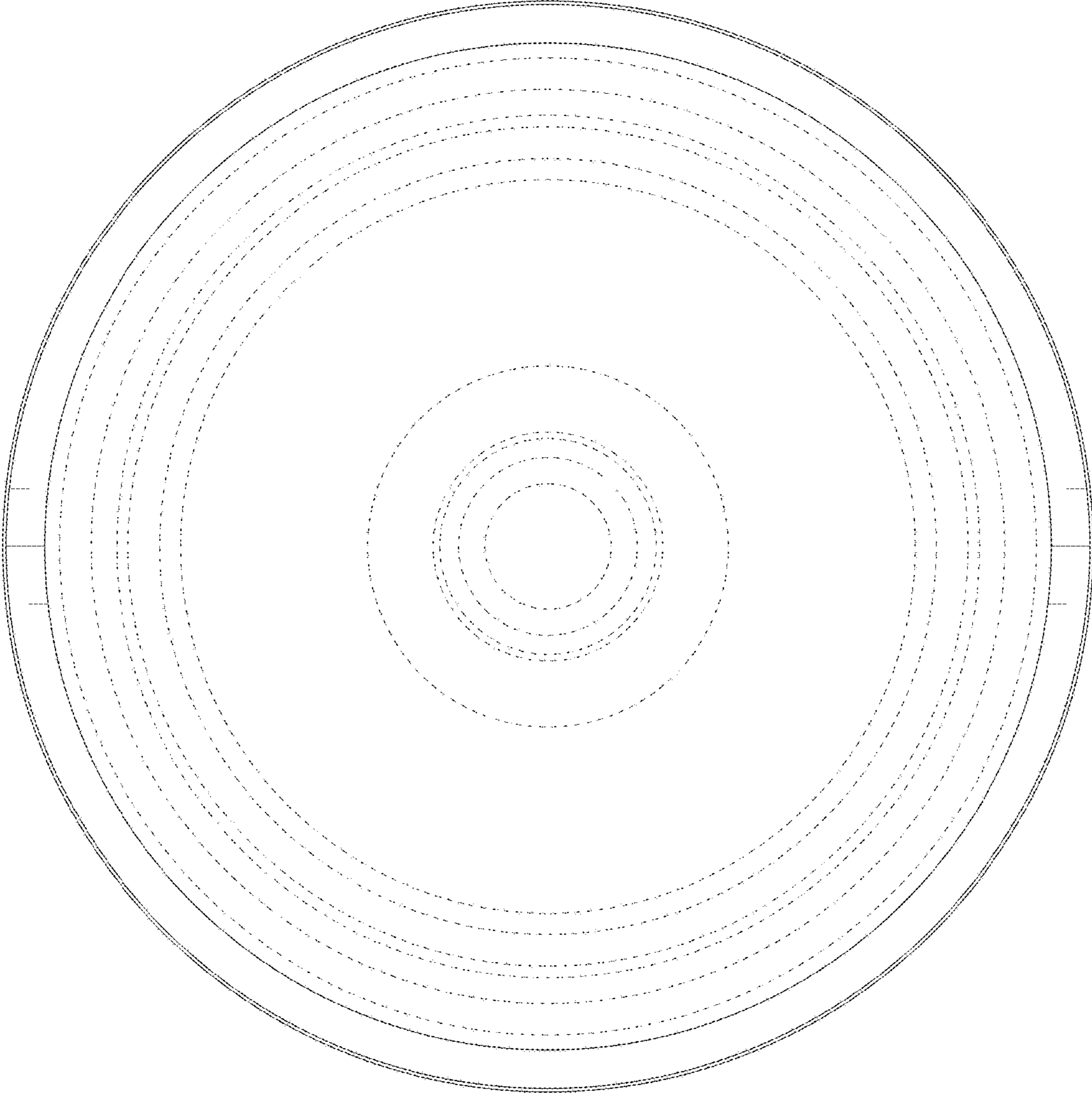


FIG. 22

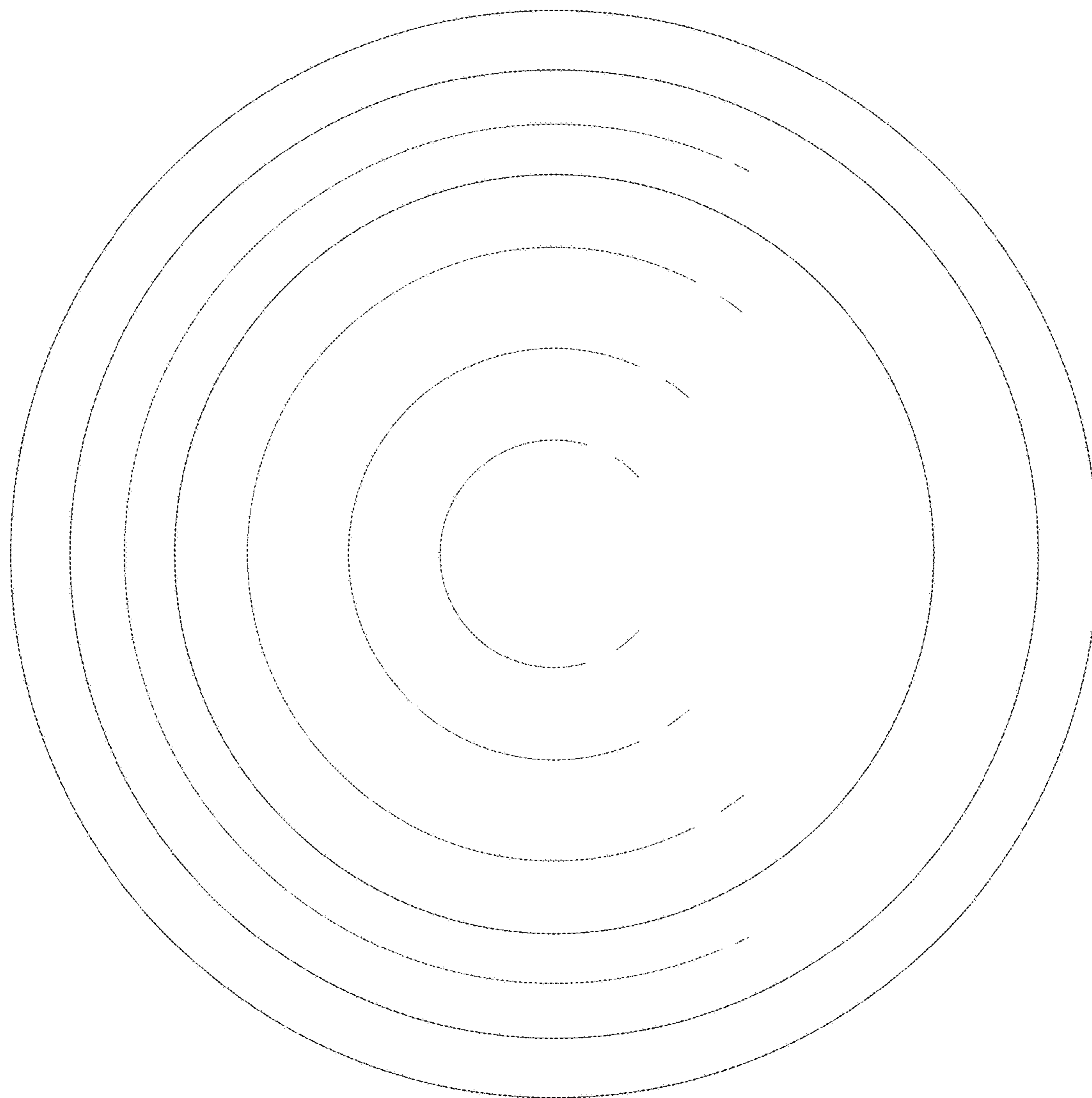


FIG. 23

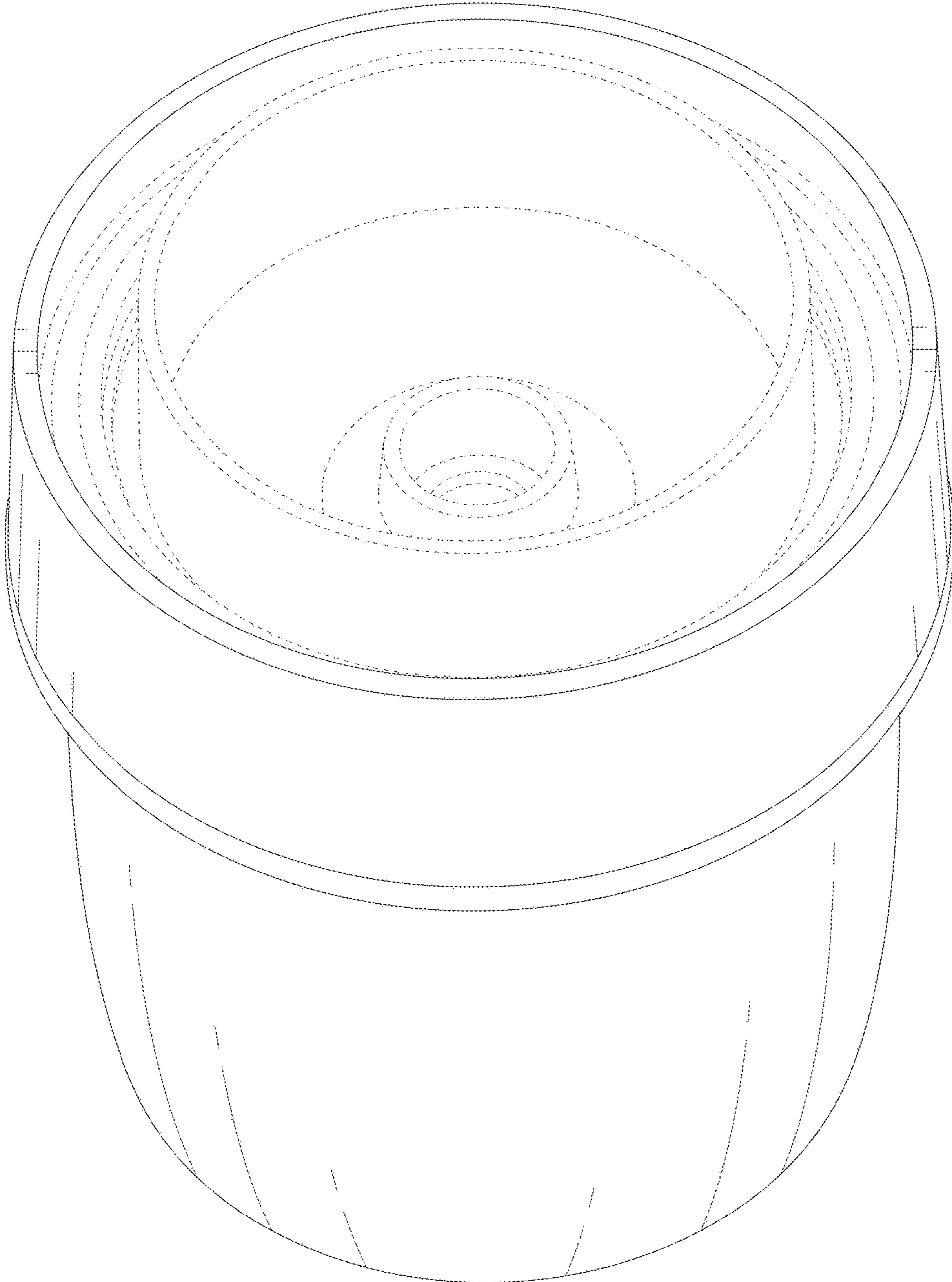


FIG. 24

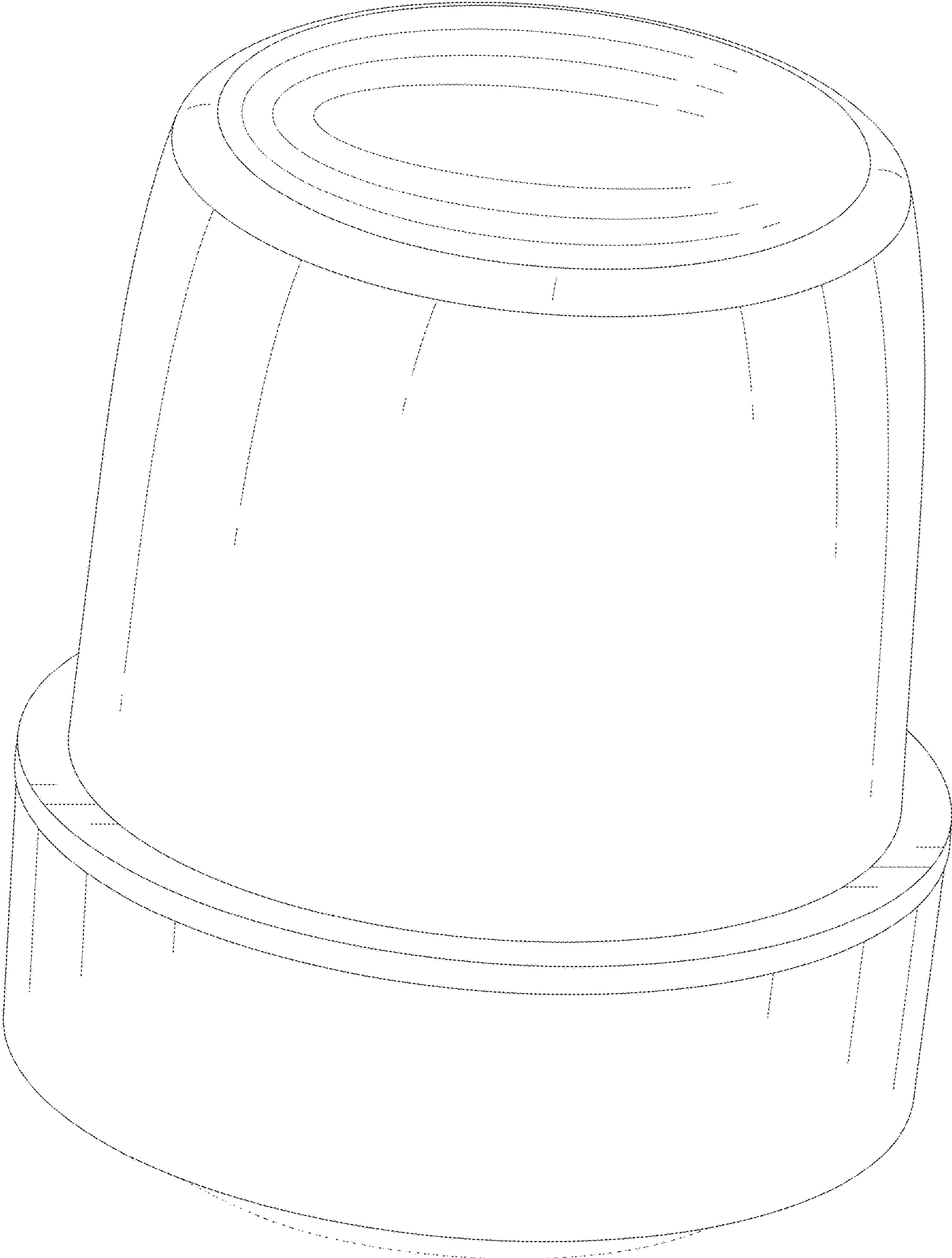


FIG. 25